



US00D749998S

(12) **United States Design Patent**  
**Sato et al.**

(10) **Patent No.:** **US D749,998 S**

(45) **Date of Patent:** **\*\* Feb. 23, 2016**

(54) **FRONT BUMPER FOR AN AUTOMOBILE**

D718,674 S \* 12/2014 Sperling ..... D12/164  
D723,428 S \* 3/2015 Sperling ..... D12/98  
D733,016 S \* 6/2015 Kaneda ..... D12/164

(71) Applicants: **Jinichi Sato**, Saitama (JP); **Shingo Hatori**, Hachioji (JP); **Ken Iwasaki**, Hachioji (JP)

**OTHER PUBLICATIONS**

(72) Inventors: **Jinichi Sato**, Saitama (JP); **Shingo Hatori**, Hachioji (JP); **Ken Iwasaki**, Hachioji (JP)

Netcarshow.com, URL: <http://www.netcarshow.com/toyota/2012-tacoma/>; Model: Tacoma; Mfg.: Toyota, Jul. 4, 2014.

Netcarshow.com, URL: <http://www.netcarshow.com/gmc/2015-canyon/>; Model: GMC Canyon; Mfg.: General Motors Corp., Jul. 4, 2014.

(73) Assignee: **Toyota Jidosha Kabushiki Kaisha**, Toyota-shi, Aichi-ken (JP)

Netcarshow.com; URL: [http://www.netcarshow.com/volvo/2014-v40\\_cross\\_country/](http://www.netcarshow.com/volvo/2014-v40_cross_country/); Model: Volvo V40 Cross Country; Mfg.: Volvo, Jul. 4, 2014.

(\*\*) Term: **14 Years**

\* cited by examiner

(21) Appl. No.: **29/506,678**

*Primary Examiner* — Melody N Brown

(22) Filed: **Oct. 17, 2014**

(74) *Attorney, Agent, or Firm* — Finnegan, Henderson, Farabow, Garrett & Dunner, LLP

(51) **LOC (10) Cl.** ..... **12-16**

(52) **U.S. Cl.**  
USPC ..... **D12/169**

(57) **CLAIM**

The ornamental design for a front bumper for an automobile, as shown and described.

(58) **Field of Classification Search**  
USPC ..... D12/169, 216, 90–92, 86, 171, 196, D12/163; 293/102, 113, 115, 117, 120; 296/180.1, 180.2  
CPC . B60R 19/52; B60R 2019/25; B62D 25/0845  
See application file for complete search history.

**DESCRIPTION**

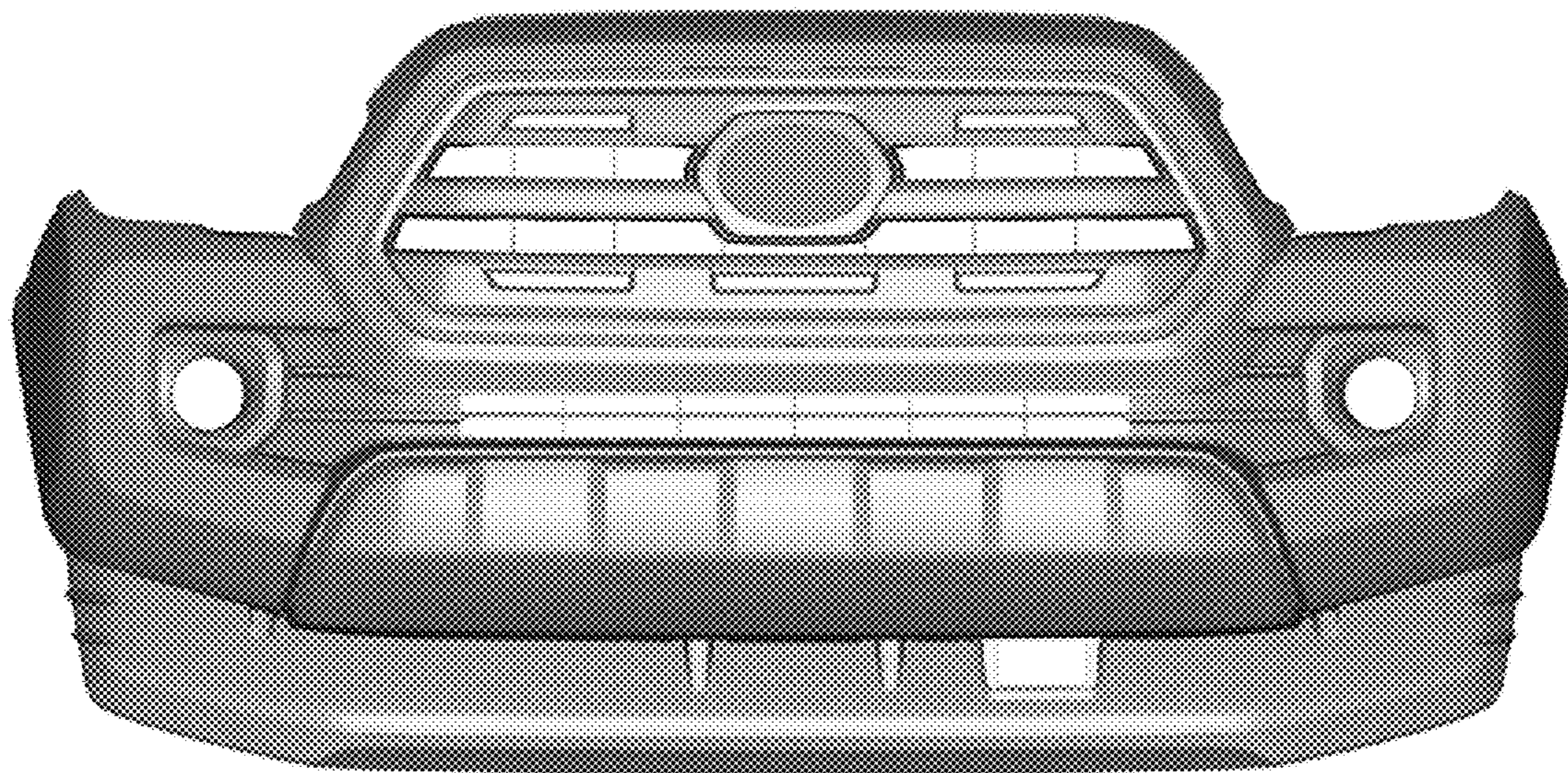
FIG. 1 is a front perspective view of a front bumper for an automobile showing our new design;  
FIG. 2 is a front view thereof;  
FIG. 3 is a rear view thereof;  
FIG. 4 is a left side view thereof;  
FIG. 5 is a right side view thereof;  
FIG. 6 is a top plan view thereof; and,  
FIG. 7 is a bottom view thereof.

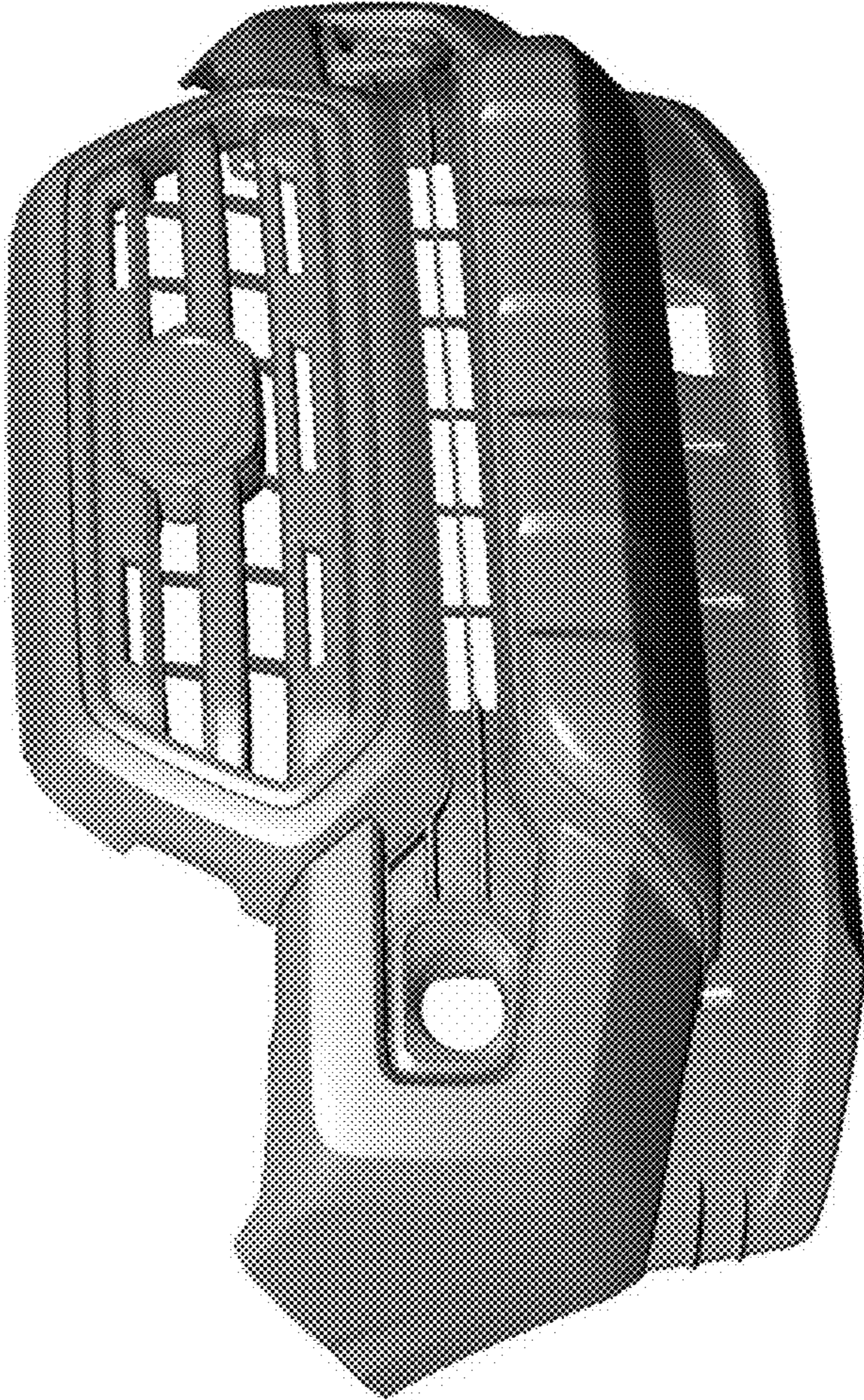
(56) **References Cited**

**U.S. PATENT DOCUMENTS**

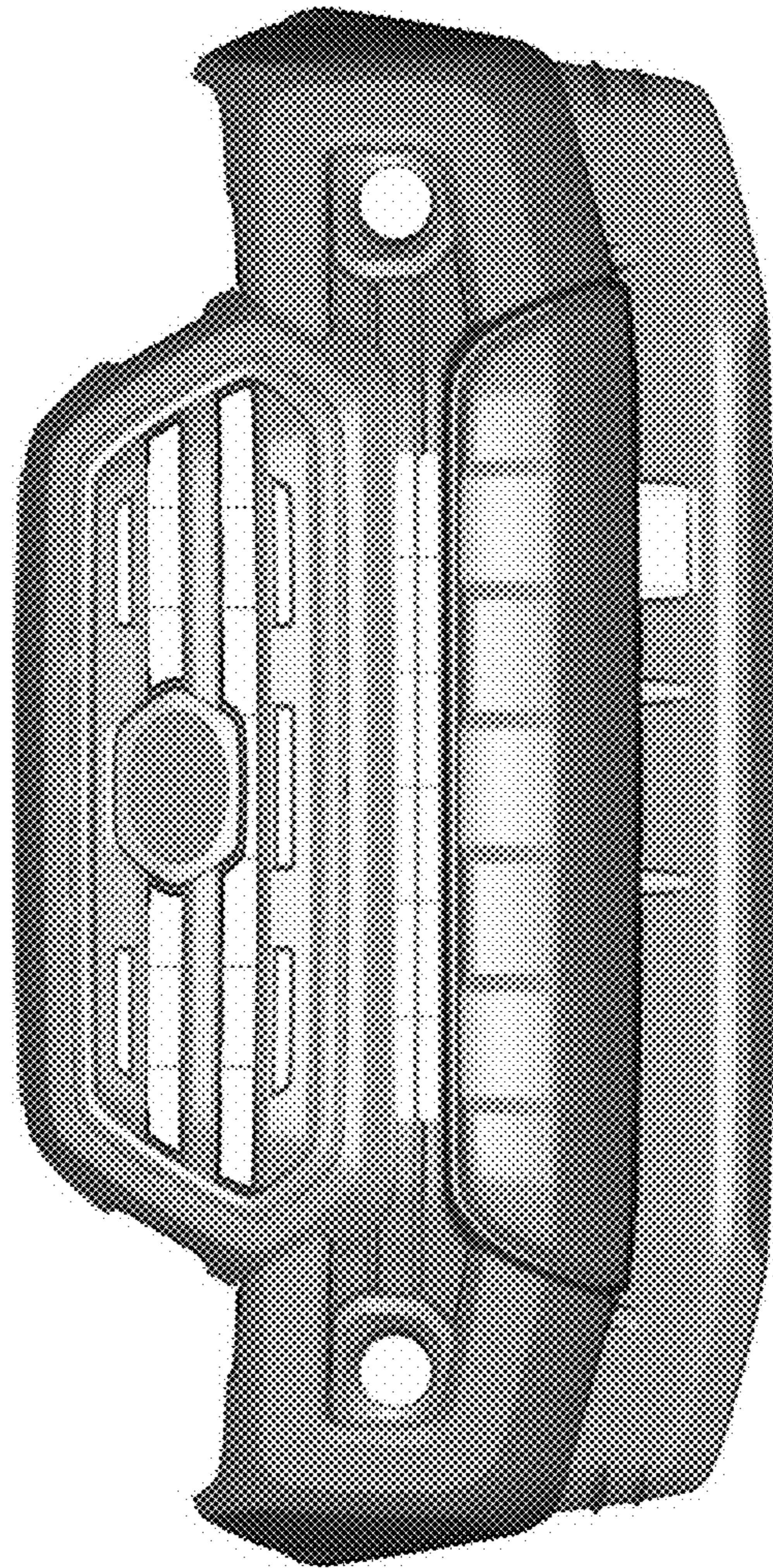
D607,783 S \* 1/2010 Roller ..... D12/98  
D695,167 S \* 12/2013 Platto ..... D12/169  
D703,111 S \* 4/2014 Platto ..... D12/169

**1 Claim, 5 Drawing Sheets**





**FIG. 1**



**FIG. 2**

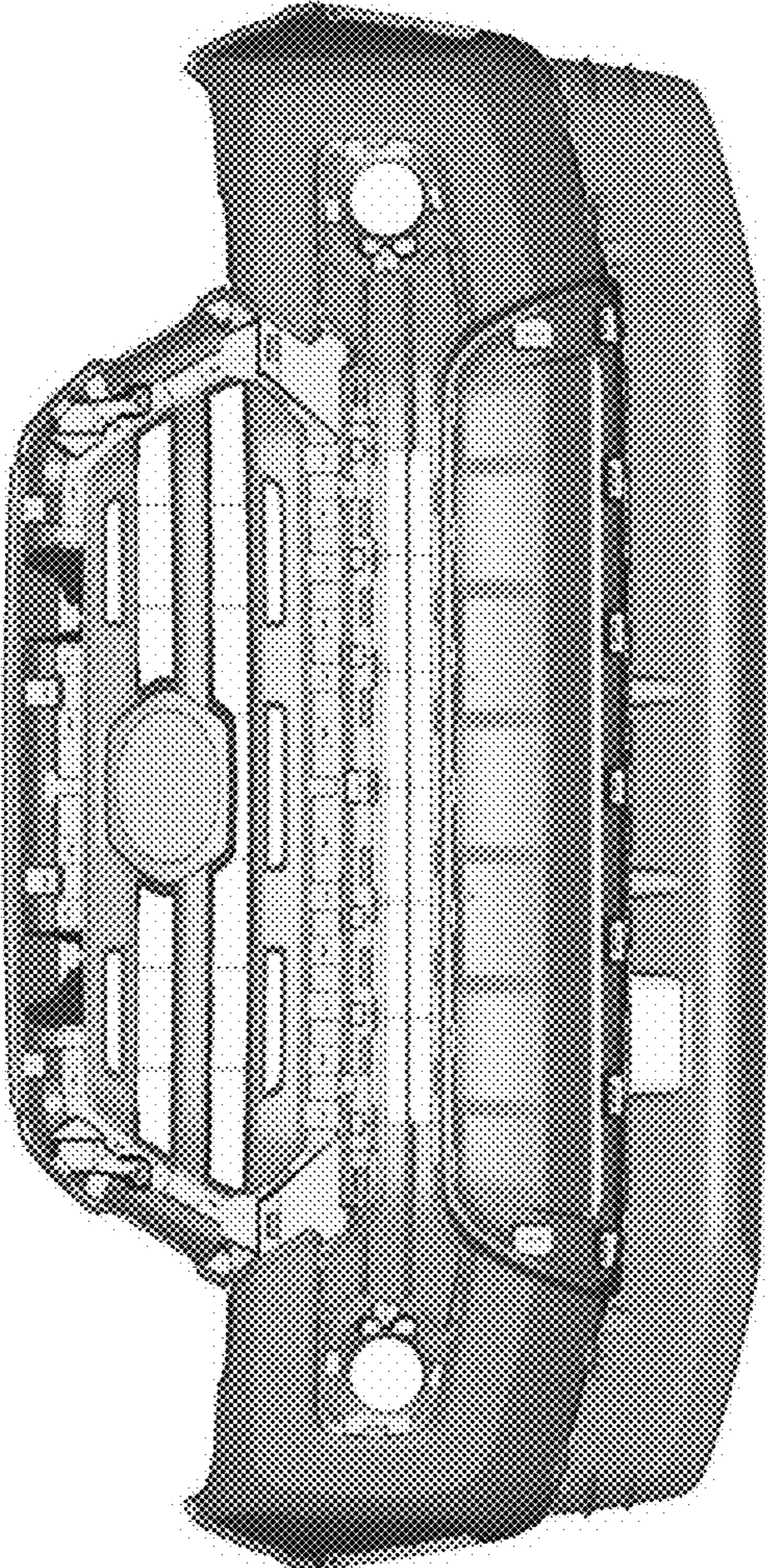
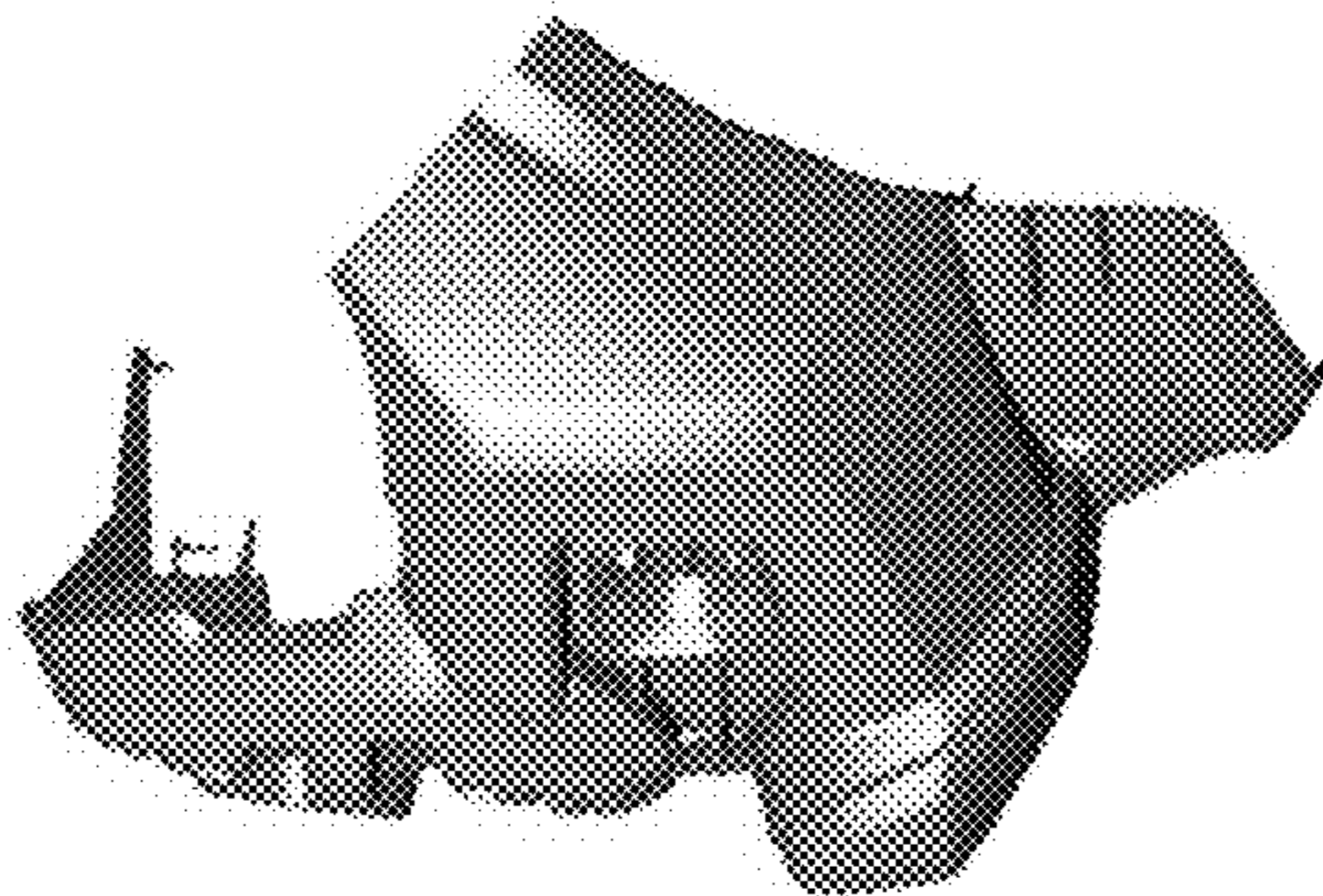
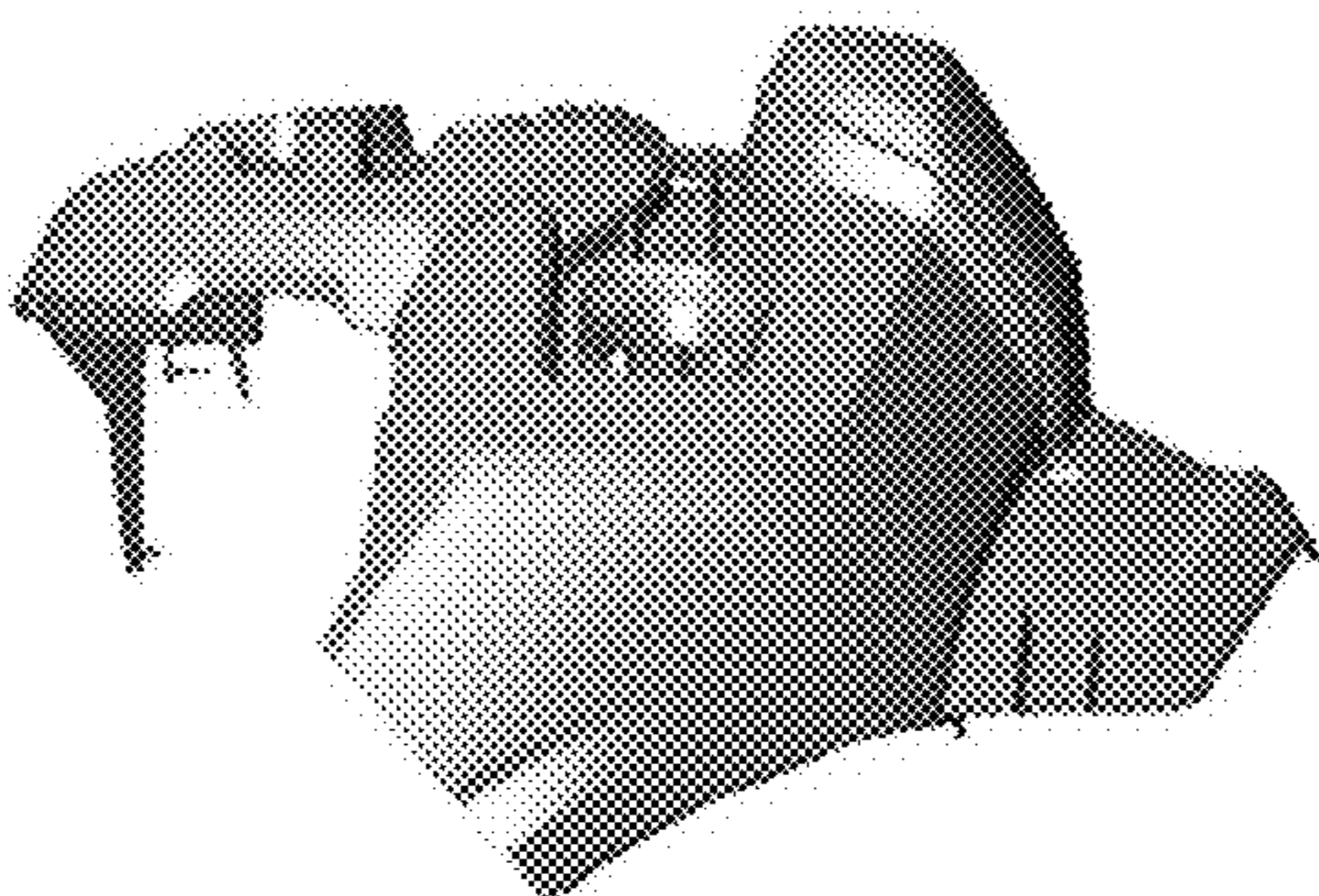


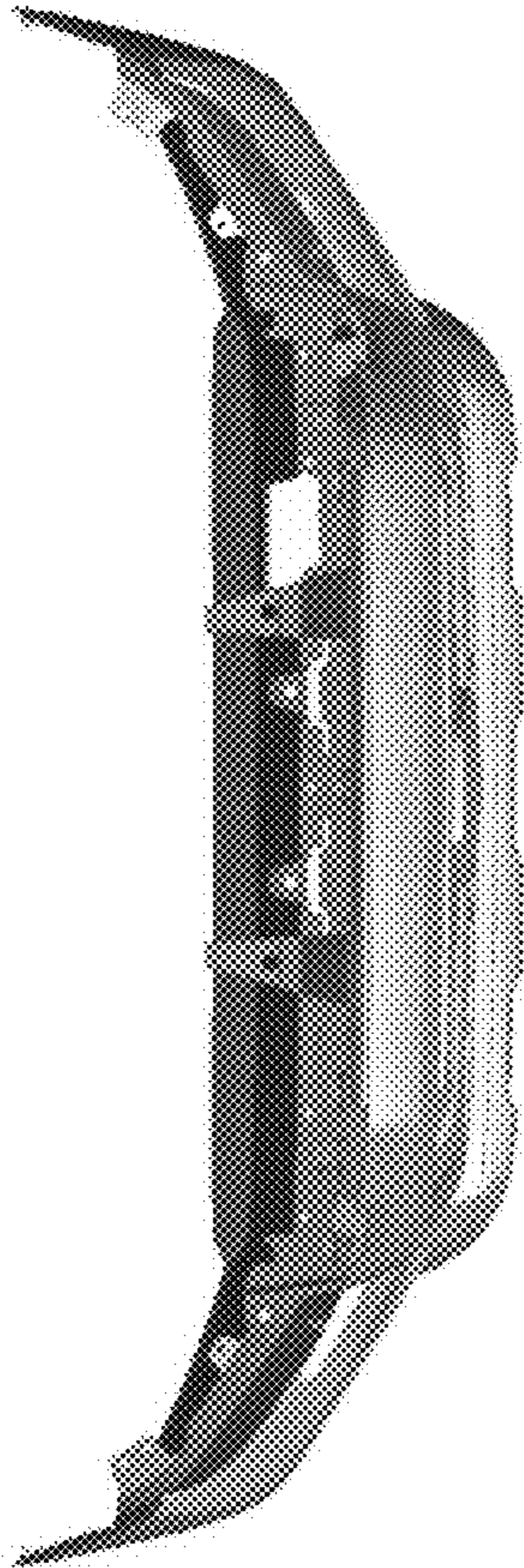
FIG. 3



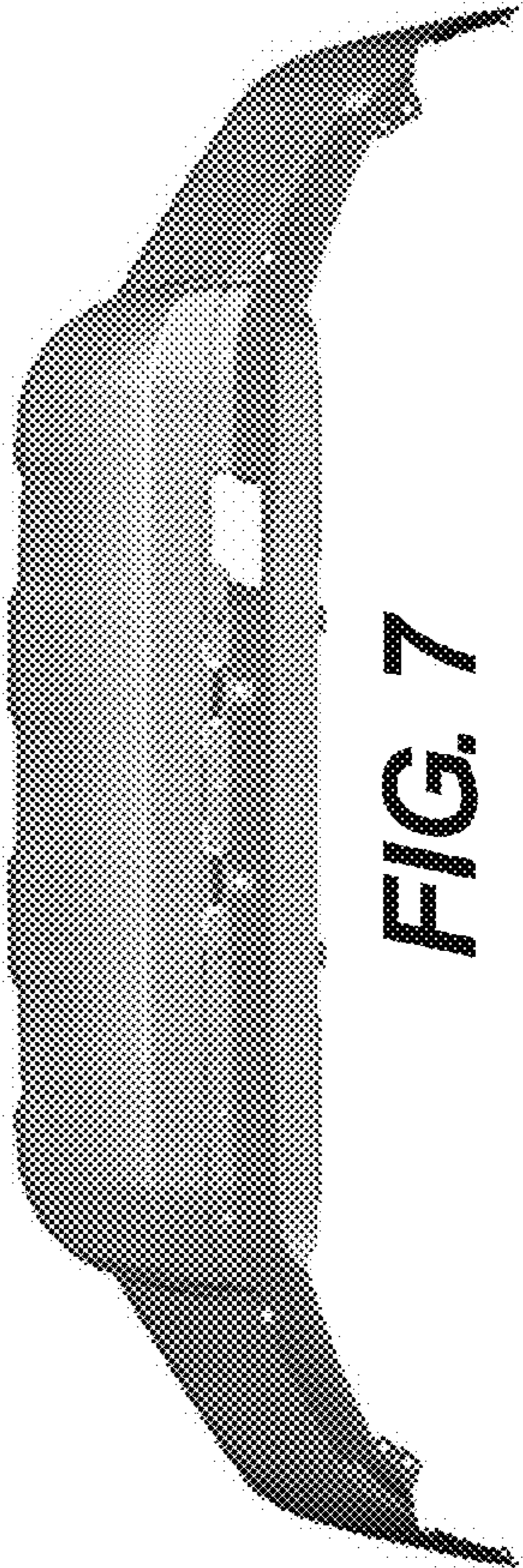
**FIG. 4**



**FIG. 5**



**FIG. 6**



**FIG. 7**