



US00D749995S

(12) **United States Design Patent**  
**Azadi et al.**

(10) **Patent No.:** **US D749,995 S**

(45) **Date of Patent:** **\*\* Feb. 23, 2016**

(54) **FRONT GRILLE FOR A VEHICLE**

(56) **References Cited**

(71) Applicant: **Omix-Ada, Inc.**, Suwanee, GA (US)

(72) Inventors: **Ali Azadi**, Duluth, GA (US); **Patrick W. Bennett**, Gainesville, GA (US)

(73) Assignee: **Omix-Ada, Inc.**, Suwanee, GA (US)

(\*\*) Term: **14 Years**

(21) Appl. No.: **29/508,108**

(22) Filed: **Nov. 3, 2014**

(51) **LOC (10) Cl.** ..... **12-16**

(52) **U.S. Cl.**  
USPC ..... **D12/163**

(58) **Field of Classification Search**  
USPC ..... D12/163, 196, 86, 90-92, 171, 169,  
D12/216; 180/68.1, 68.6; 293/193.11  
CPC ..... B62D 25/08; B62B 9/16; B60K 11/08;  
B60R 19/52

See application file for complete search history.

U.S. PATENT DOCUMENTS

D613,648 S *	4/2010	Wong	.....	D12/163
D613,649 S *	4/2010	Wong	.....	D12/163
D624,468 S *	9/2010	Wong	.....	D12/163
D738,797 S *	9/2015	Kavaja	.....	D12/163

\* cited by examiner

*Primary Examiner* — Melody N. Brown

(74) *Attorney, Agent, or Firm* — Womble Carlyle Sandridge & Rice LLP

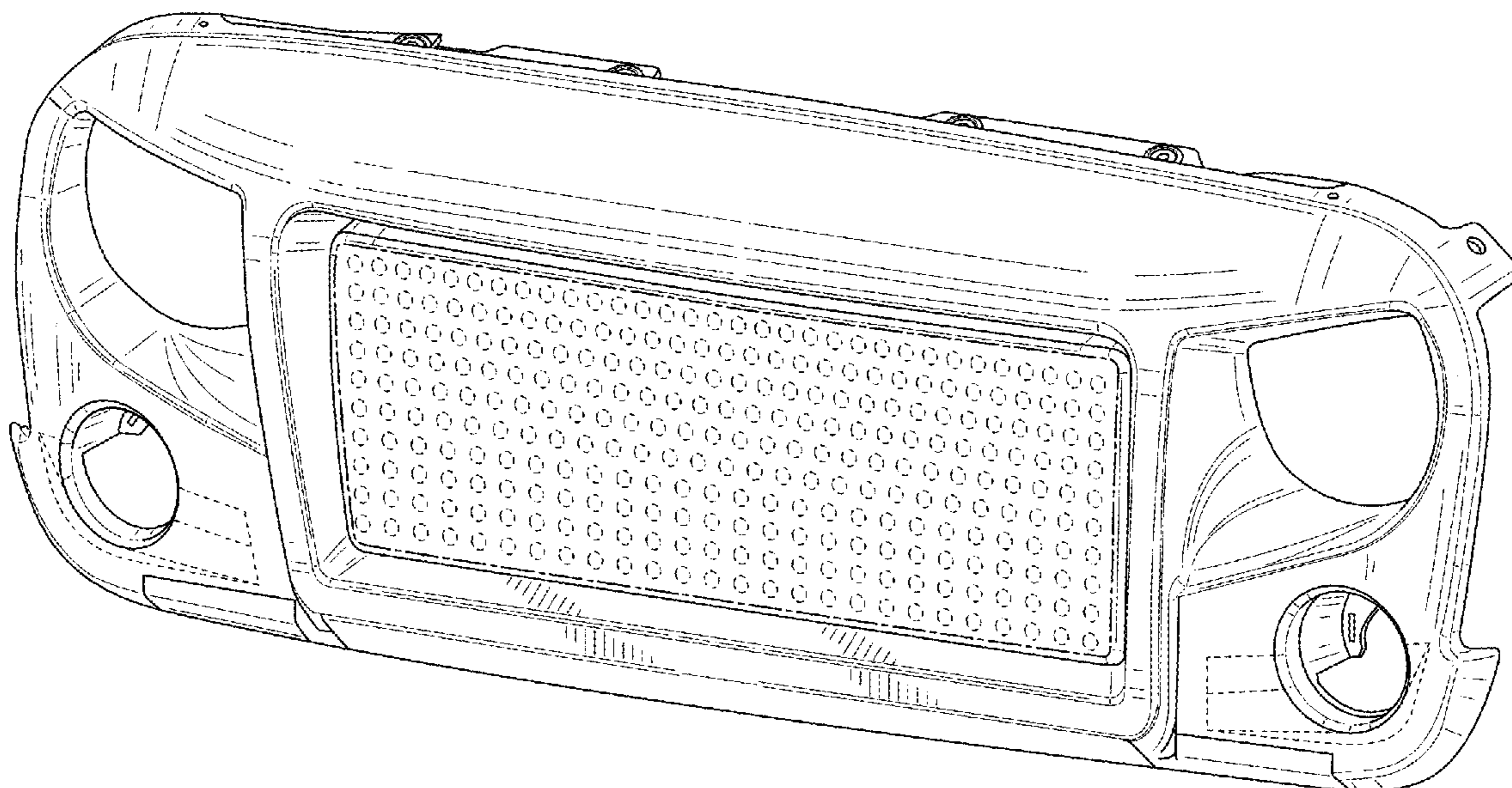
(57) **CLAIM**

The ornamental design for a front grille for a vehicle, as shown and described.

**DESCRIPTION**

FIG. 1 is a perspective view of a front grille for a vehicle, showing our new design.  
FIG. 2 is a front view of the front grille of FIG. 1.  
FIG. 3 is a rear view of the front grille of FIG. 1.  
FIG. 4 is a left side view of the front grille of FIG. 1.  
FIG. 5 is a right side view of the front grille of FIG. 1.  
FIG. 6 is a top view of the front grille of FIG. 1; and,  
FIG. 7 is a bottom view of the front grille of FIG. 1.  
The broken lines illustrate portions of the front grille that form no part of the claimed design.

**1 Claim, 6 Drawing Sheets**



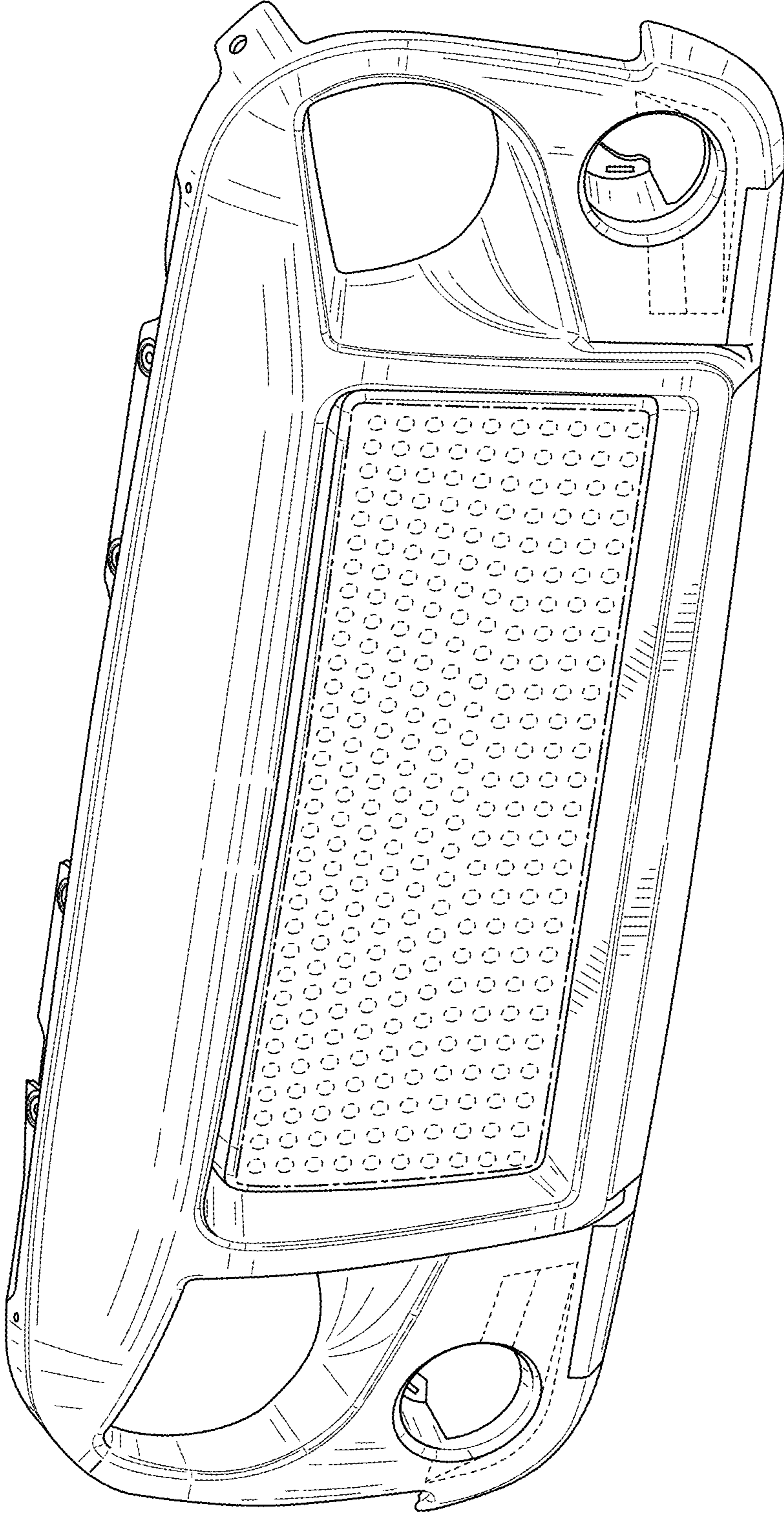


FIG. 1

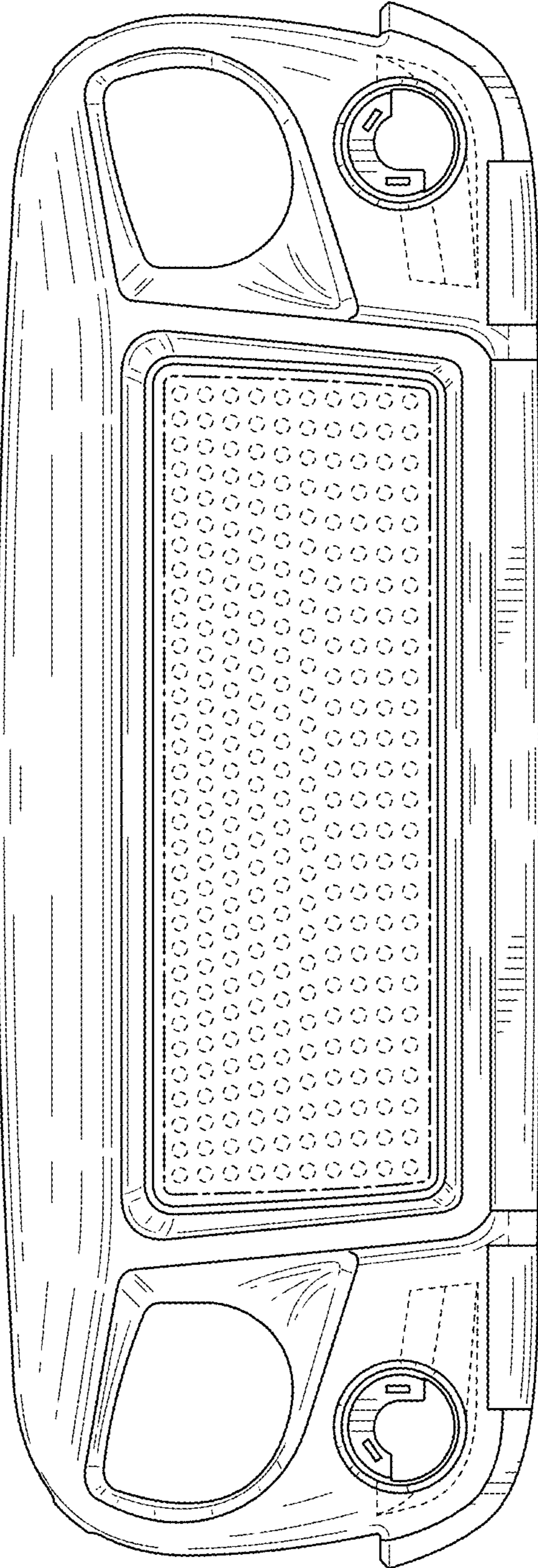


FIG. 2

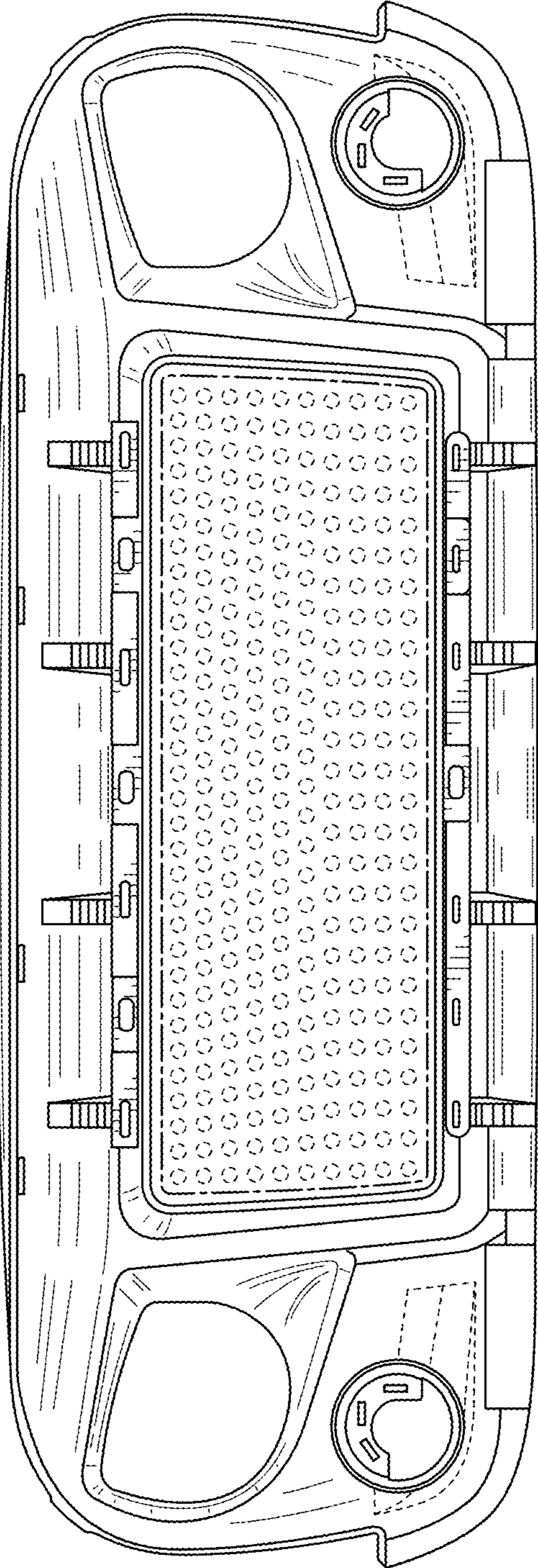


FIG. 3

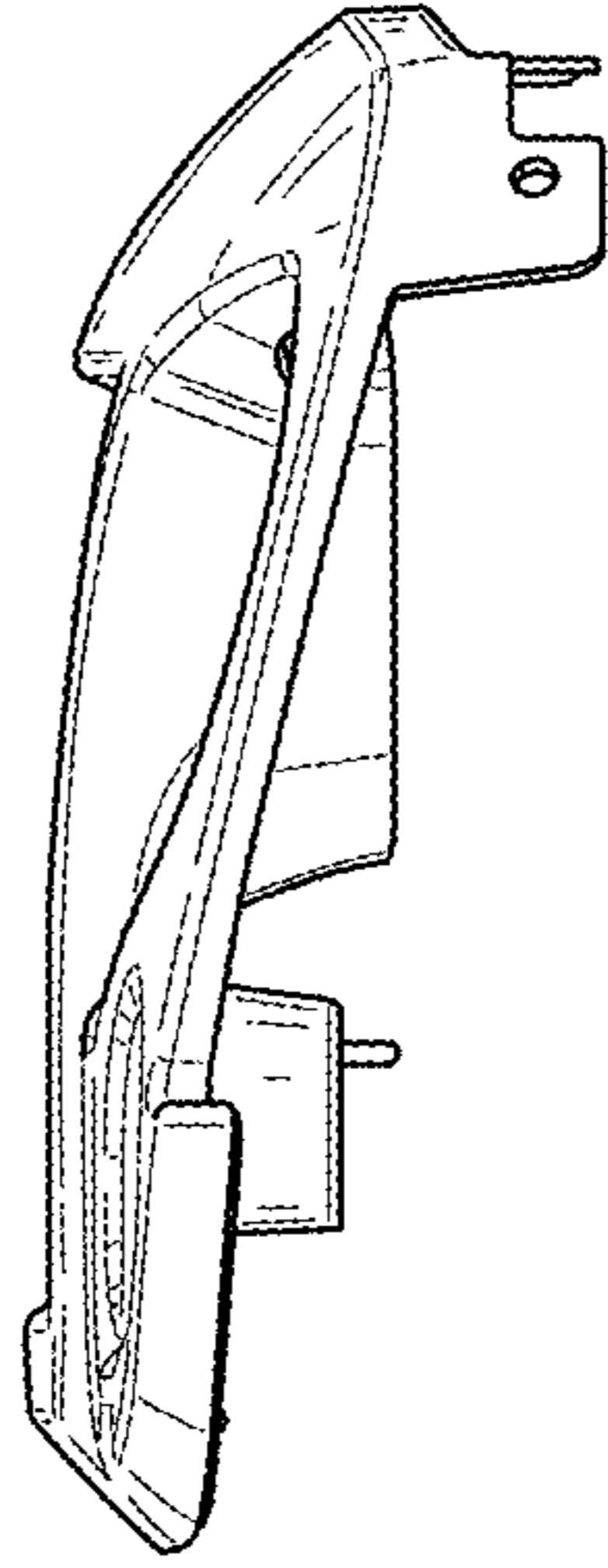


FIG. 4

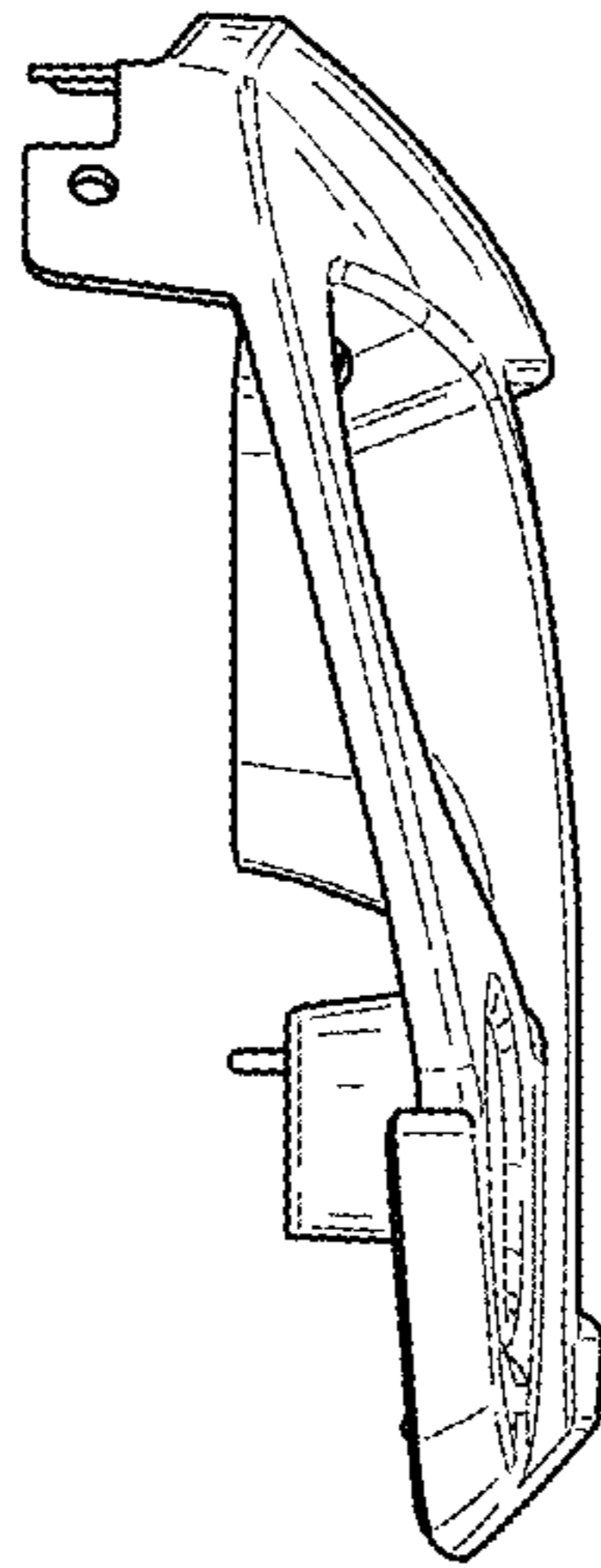


FIG. 5

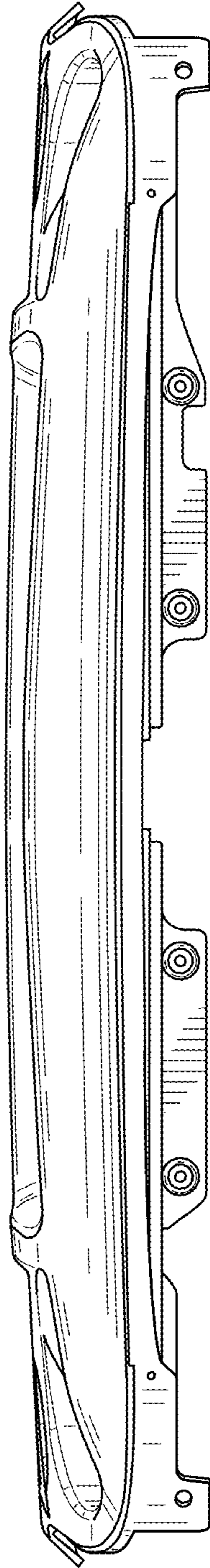


FIG. 6

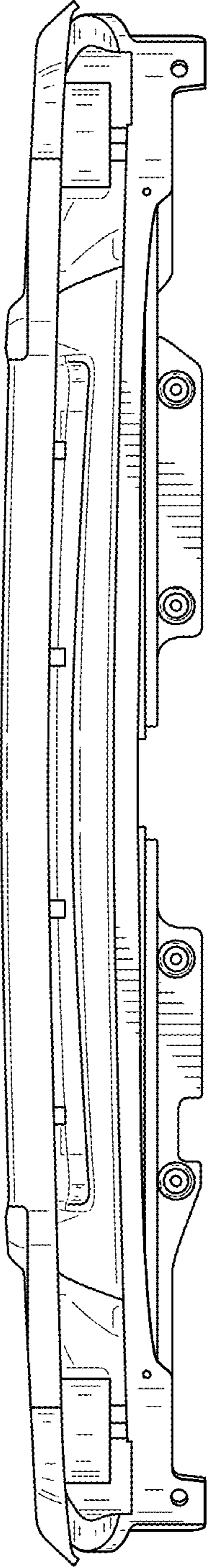


FIG. 7

UNITED STATES PATENT AND TRADEMARK OFFICE  
**CERTIFICATE OF CORRECTION**

PATENT NO. : D749,995 S  
APPLICATION NO. : 29/508108  
DATED : February 23, 2016  
INVENTOR(S) : Ali Azadi, Patrick W. Bennett and Reid McFarlin

Page 1 of 1

It is certified that error appears in the above-identified patent and that said Letters Patent is hereby corrected as shown below:

On the Title Page

Item (72) Inventors, add as the third inventor:

--Reid McFarlin, Greenville, SC (US)--

Signed and Sealed this  
Twenty-third Day of January, 2018



Joseph Matal

*Performing the Functions and Duties of the  
Under Secretary of Commerce for Intellectual Property and  
Director of the United States Patent and Trademark Office*