



US00D749994S

(12) **United States Design Patent**
Verboeket

(10) **Patent No.:** **US D749,994 S**

(45) **Date of Patent:** **** *Feb. 23, 2016**

(54) **HITCH PIN**

(71) Applicant: **TriMas Corporation Pty Ltd.,**
Keysborough (AU)

(72) Inventor: **Nick Verboeket,** Victoria (AU)

(73) Assignee: **TriMas Corporation Pty Ltd.,**
Keysborough (AU)

(*) Notice: This patent is subject to a terminal disclaimer.

(**) Term: **14 Years**

(21) Appl. No.: **29/493,458**

(22) Filed: **Jun. 10, 2014**

(51) **LOC (10) Cl.** **12-16**

(52) **U.S. Cl.**
USPC **D12/162**

(58) **Field of Classification Search**
USPC D12/162, 159-161; 56/DIG. 14; 37/399;
280/406.2, 407, 407.1, 408, 411.1,
280/416.1-416.3, 418, 418.1, 433, 434,
280/435, 441.1, 441.2, 455.1, 456.1, 480,
280/493, 504, 507, 508; 224/42.11, 42.12,
224/42.14, 42.26, 400, 401, 412, 413, 488,
224/494, 500-501, 519, 537; 135/88.05;
150/166

See application file for complete search history.

(56) **References Cited**

U.S. PATENT DOCUMENTS

D269,175	S	*	5/1983	Perry et al.	D12/162
6,460,870	B2	*	10/2002	Moss	280/491.3
6,896,282	B1	*	5/2005	McKinley	280/495
6,974,148	B2	*	12/2005	Moss et al.	280/511
7,004,492	B2	*	2/2006	Moss et al.	280/511
7,029,022	B2	*	4/2006	Moss	280/491.3
7,425,014	B1	*	9/2008	Palmer	280/479.3
7,862,066	B2	*	1/2011	Smith	280/416.1
8,366,133	B2	*	2/2013	Brinkley	280/416.1

* cited by examiner

Primary Examiner — Katrina A Betton

(74) *Attorney, Agent, or Firm* — McDonald Hopkins LLC;
Jeff Urian

(57) **CLAIM**

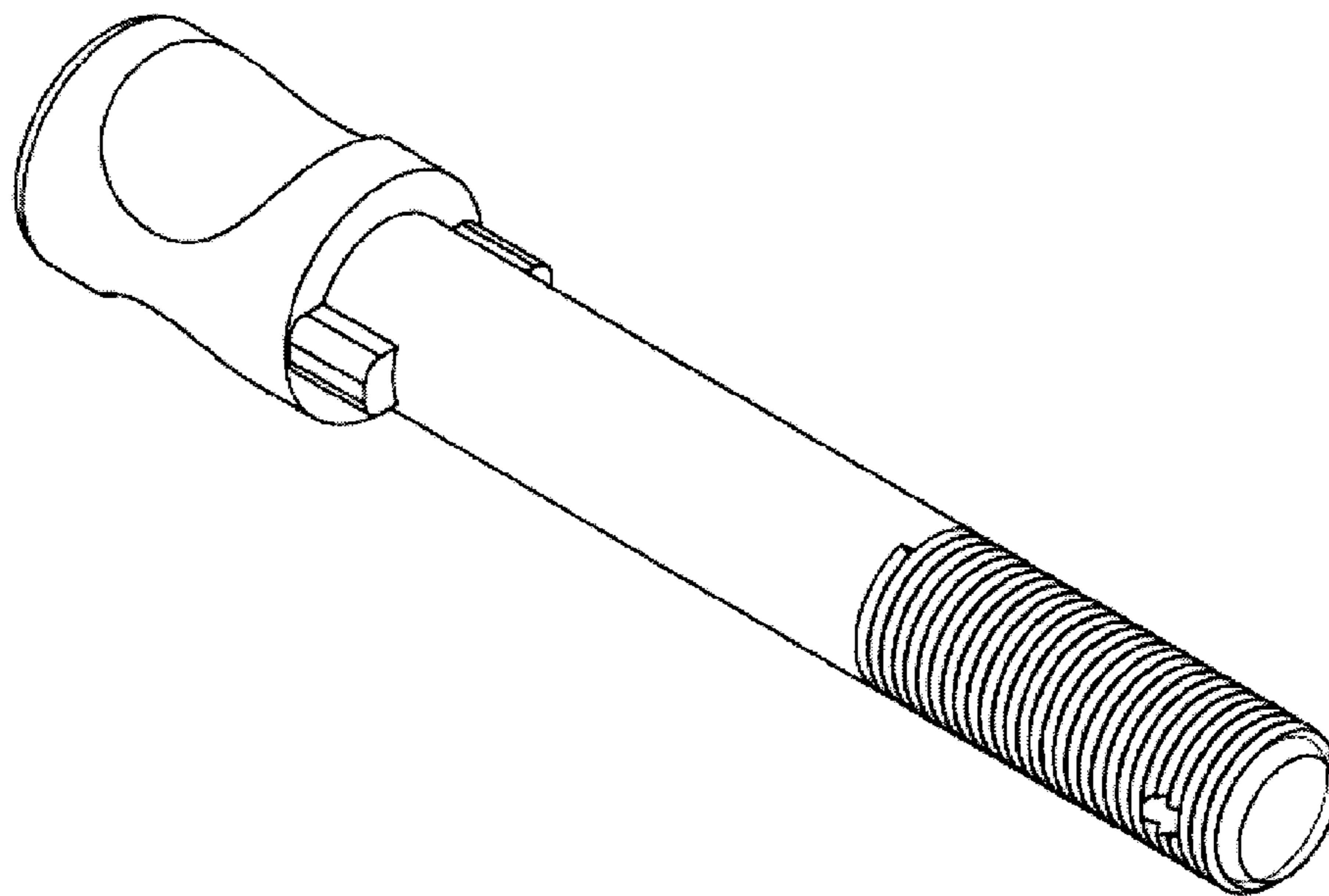
The ornamental design of a hitch pin, as shown and described.

DESCRIPTION

FIG. 1 is a side view of a hitch pin showing my new design;
FIG. 2 is a second side view thereof;
FIG. 3 is a perspective view thereof; and,
FIG. 4 is an end view thereof.

The broken lines in the figures are included for the purpose of illustrating portions of the lunette body and form no part of the claimed design.

1 Claim, 4 Drawing Sheets



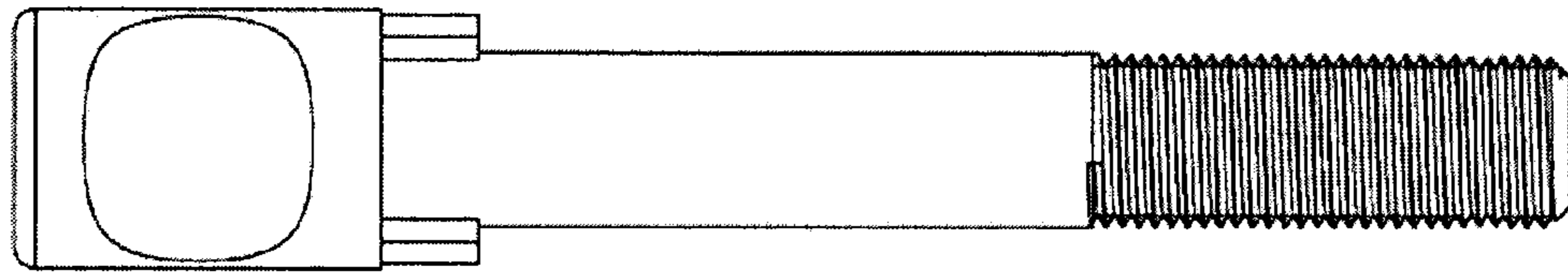


FIG. 1

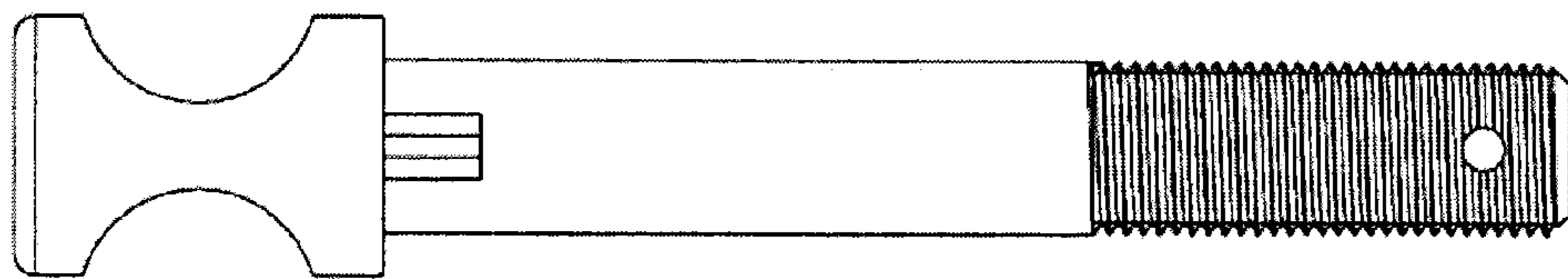


FIG. 2

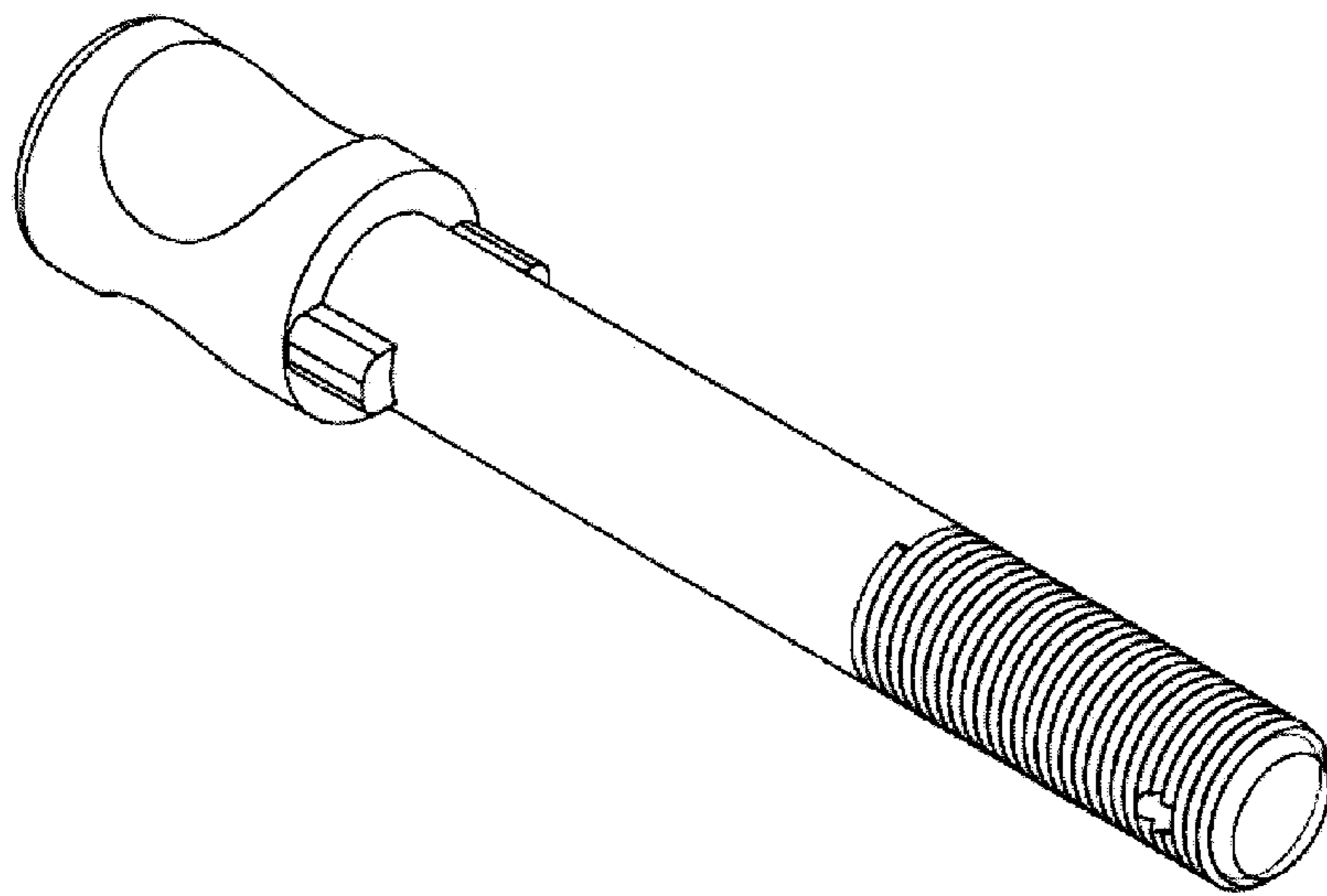


FIG. 3

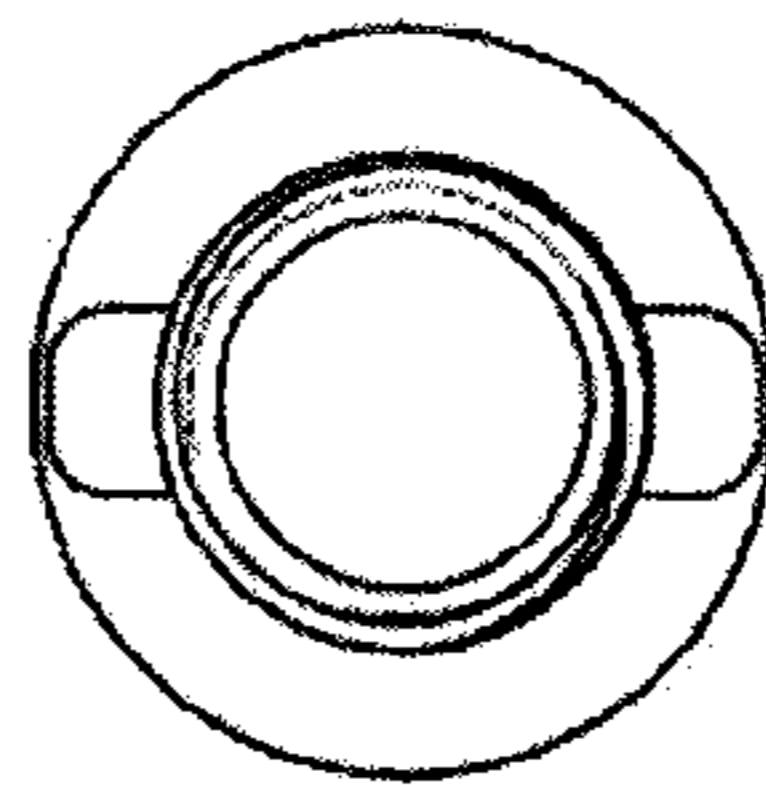


FIG. 4