



US00D749993S

(12) **United States Design Patent**
Lee

(10) **Patent No.:** **US D749,993 S**

(45) **Date of Patent:** **** Feb. 23, 2016**

(54) **CHILD TRAY FOR STROLLER**

D639,214 S * 6/2011 Zhong D12/129
D654,405 S * 2/2012 Conrad D12/129
D722,541 S * 2/2015 Conrad D12/129

(71) Applicant: **Graco Children's Products, Inc.**,
Atlanta, GA (US)

(72) Inventor: **Jon Hee Lee**, Kalamazoo, MI (US)

(73) Assignee: **Graco Children's Products, Inc.**,
Atlanta, GA (US)

(**) Term: **14 Years**

(21) Appl. No.: **29/509,057**

(22) Filed: **Nov. 13, 2014**

(51) **LOC (10) Cl.** **12-12**

(52) **U.S. Cl.**
USPC **D12/133**

(58) **Field of Classification Search**
USPC D12/129, 133
CPC B26B 7/00-7/04; B26B 9/00-9/28
See application file for complete search history.

(56) **References Cited**

U.S. PATENT DOCUMENTS

D452,192 S * 12/2001 Hartenstine D12/129
D470,803 S * 2/2003 Hansen D12/133
D486,099 S * 2/2004 Chen D12/129
D486,430 S * 2/2004 Chang D12/129
D521,422 S * 5/2006 Williams D12/133
D551,598 S * 9/2007 Yoshie D12/133

OTHER PUBLICATIONS

Eddie Bauer, "Trailmaker Travel System Stroller," on or before Nov. 13, 2014, 5 pages.

Baby Jogger, "Summit X3," on or before Nov. 13, 2014, 10 pages.

BOB, "Motion," on or before Nov. 13, 2014, 6 pages.

* cited by examiner

Primary Examiner — Susan Bennett Hattan

Assistant Examiner — Charles Hanson

(57) **CLAIM**

The ornamental design for a "child tray for stroller," as shown and described.

DESCRIPTION

FIG. 1 is a rear perspective view of a child tray for stroller showing our new design;

FIG. 2 is a top view thereof;

FIG. 3 is a bottom view thereof;

FIG. 4 is a front view thereof;

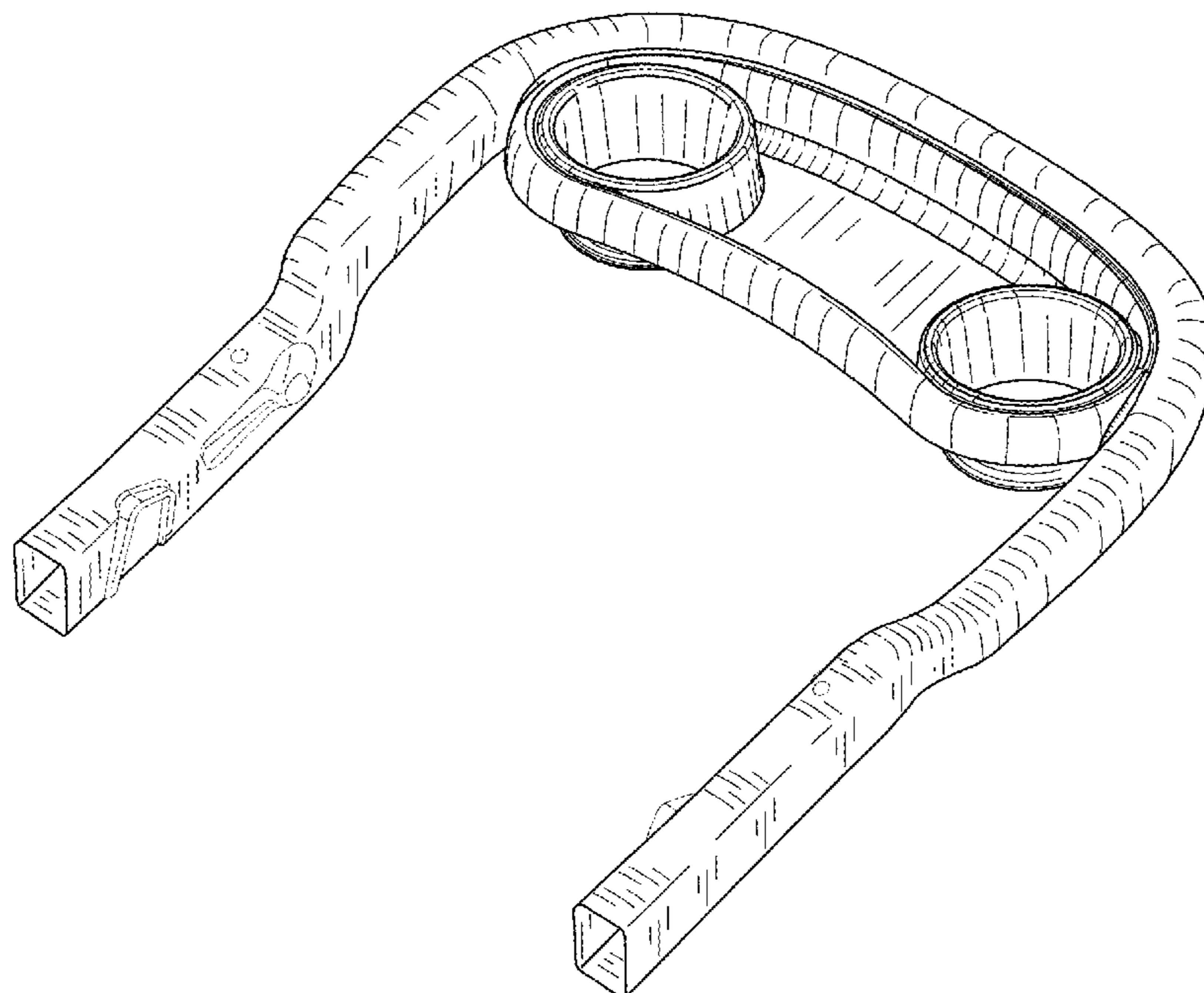
FIG. 5 is a rear view thereof;

FIG. 6 is a left side view thereof; and,

FIG. 7 is a right side view thereof.

The subject matter shown in dashed lines is for illustrative purposes and forms no part of the claimed design.

1 Claim, 7 Drawing Sheets



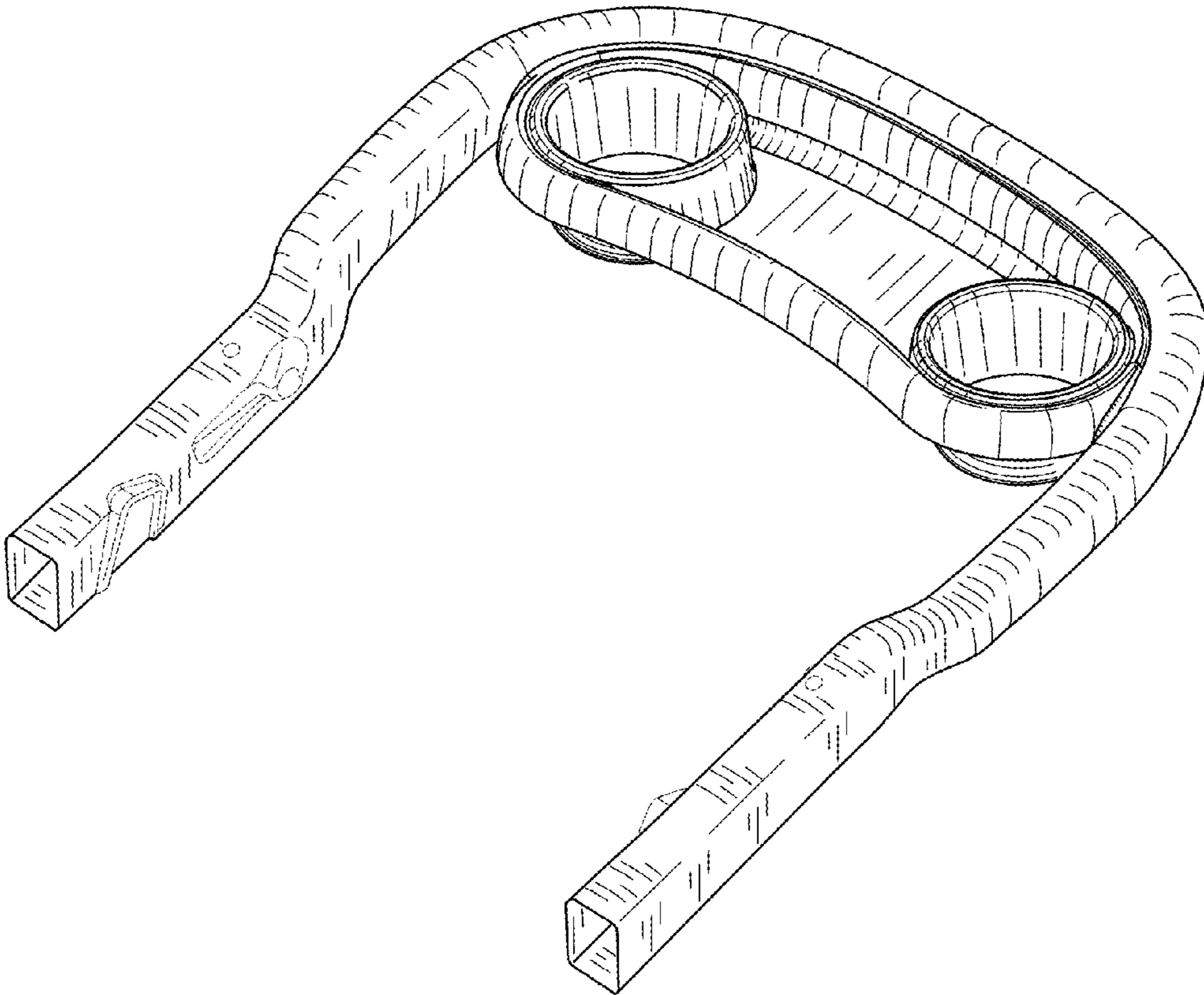


FIG. 1

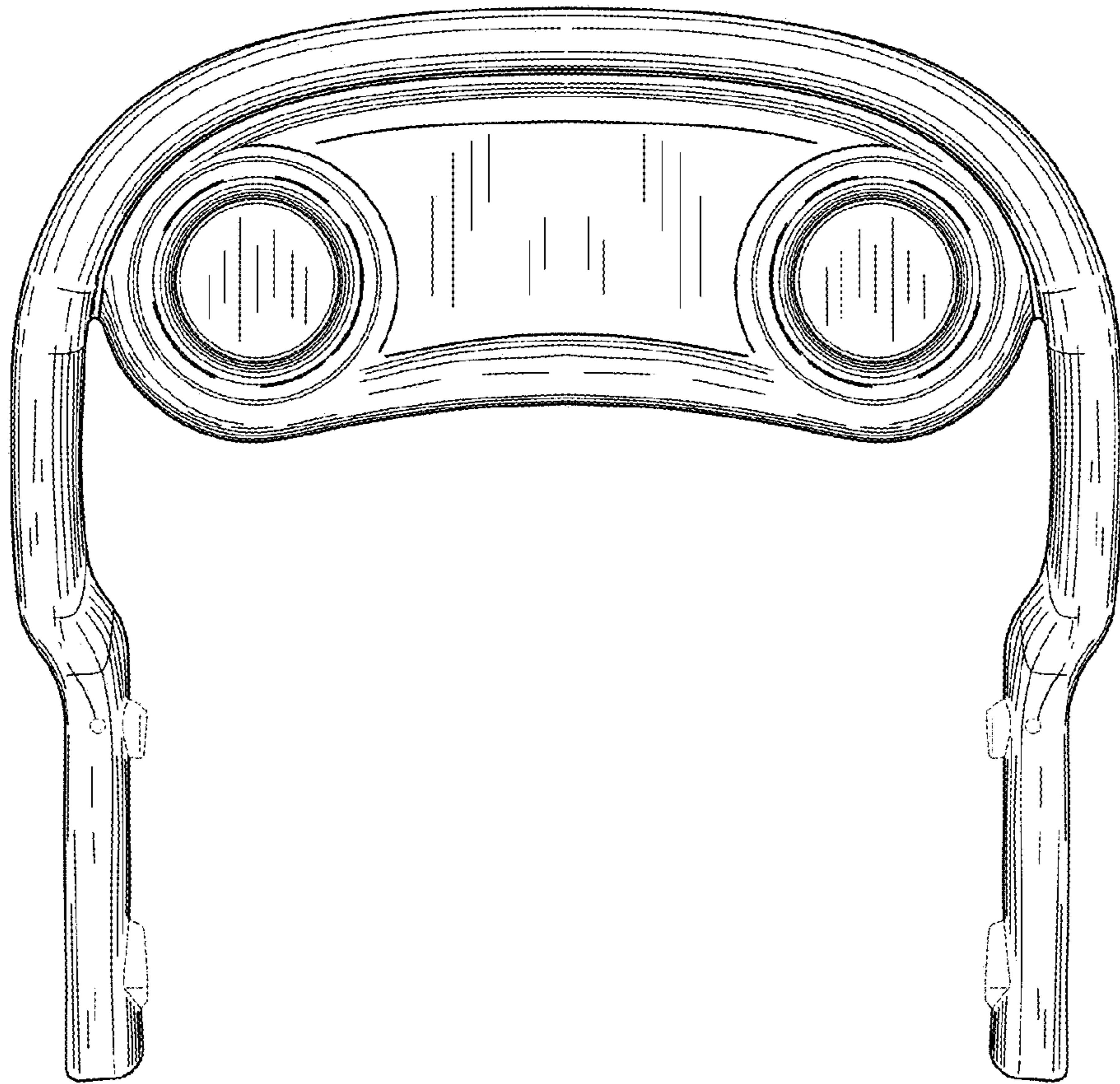


FIG. 2

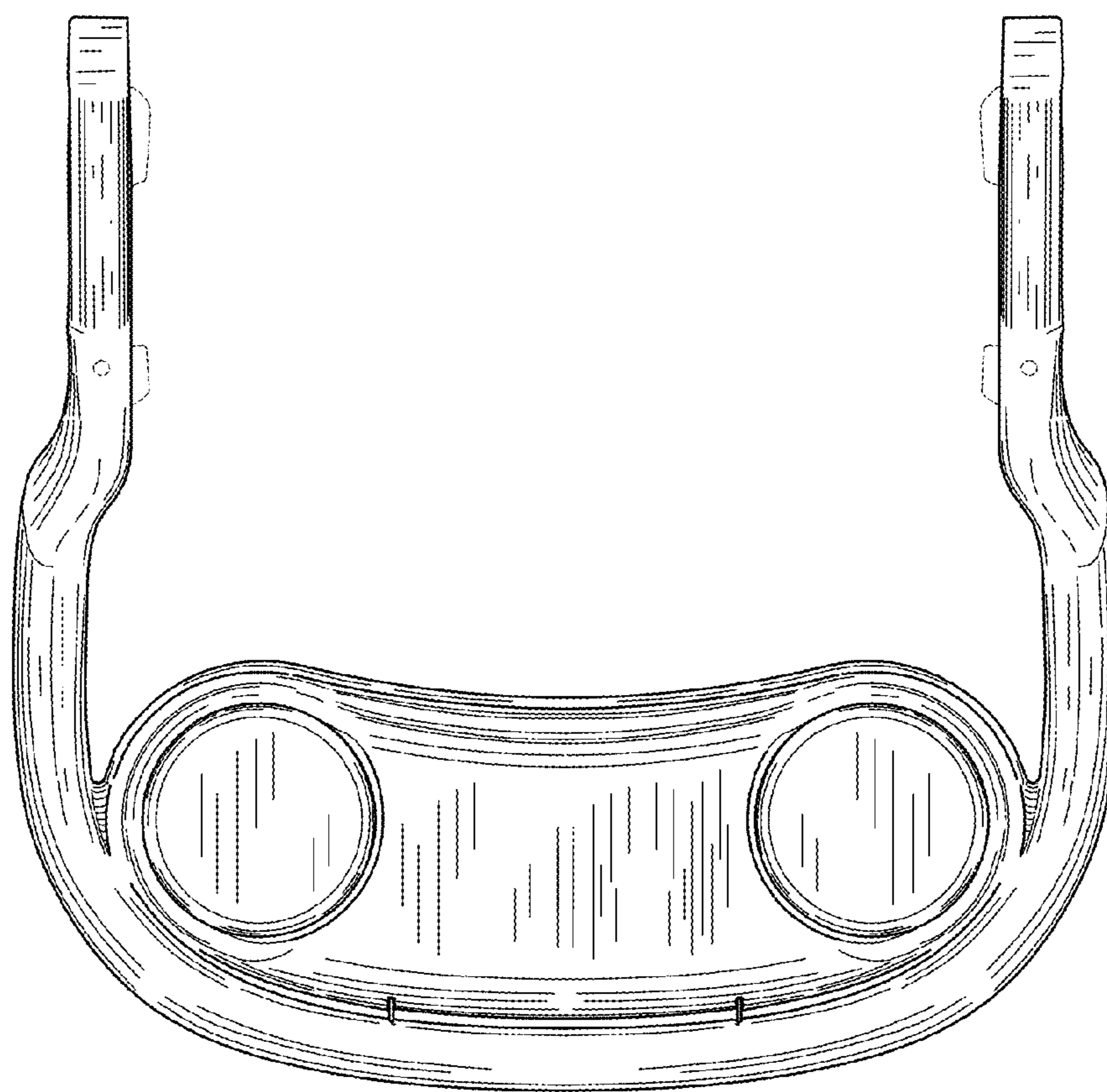


FIG. 3

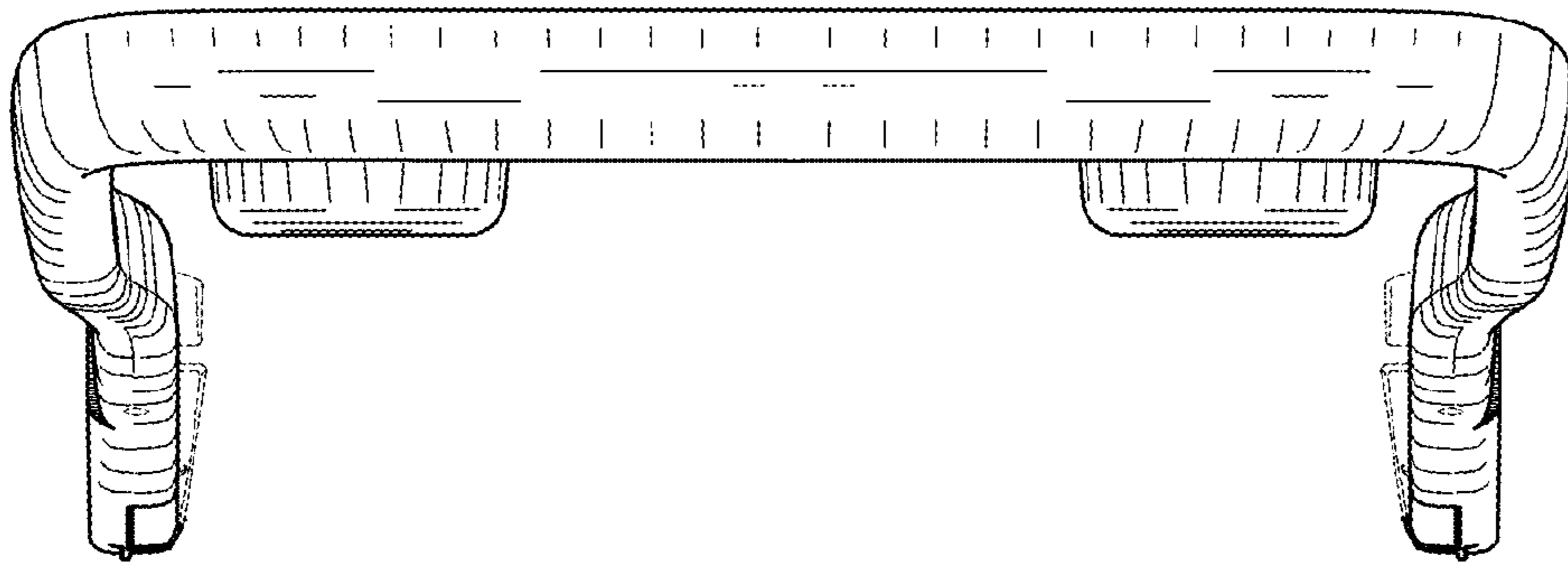


FIG. 4

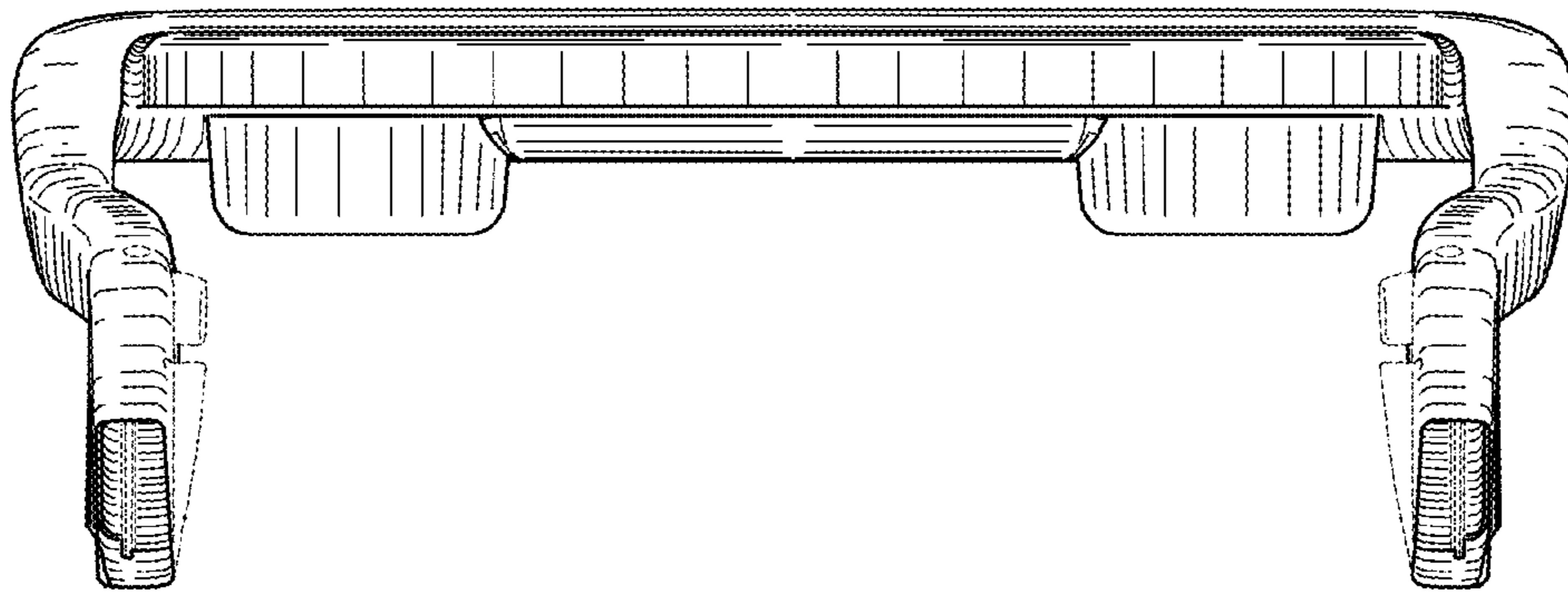


FIG. 5

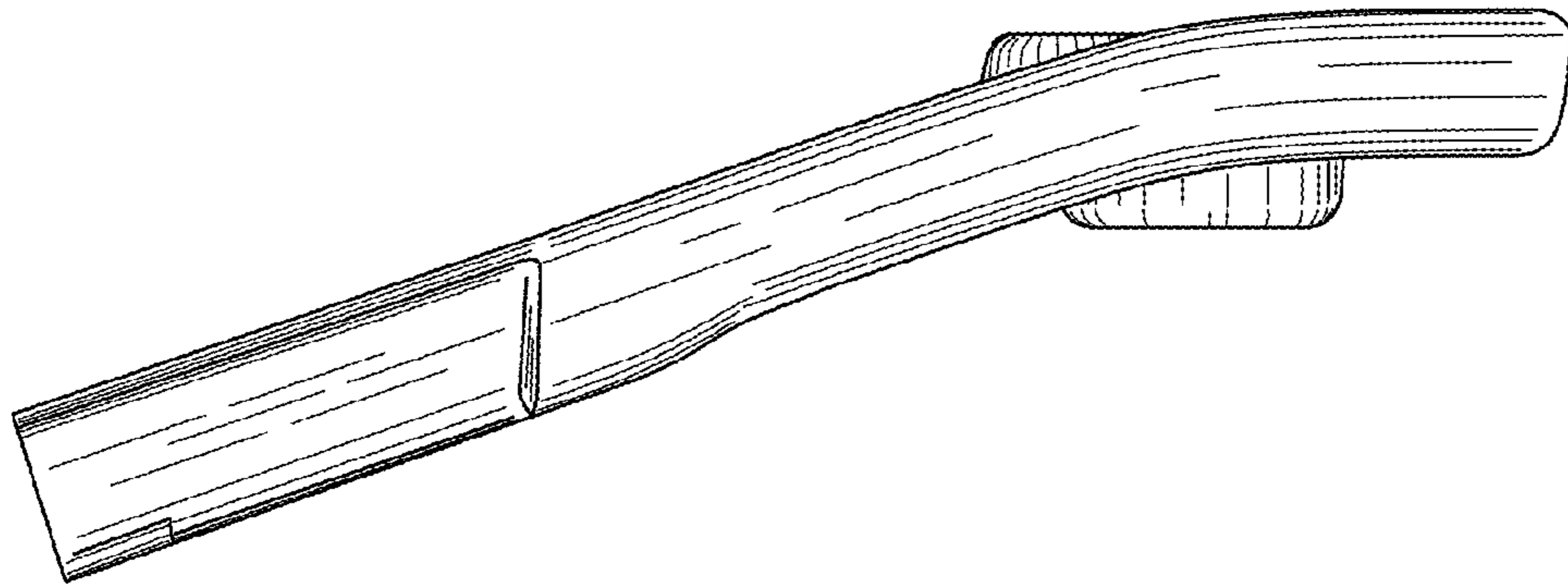


FIG. 6

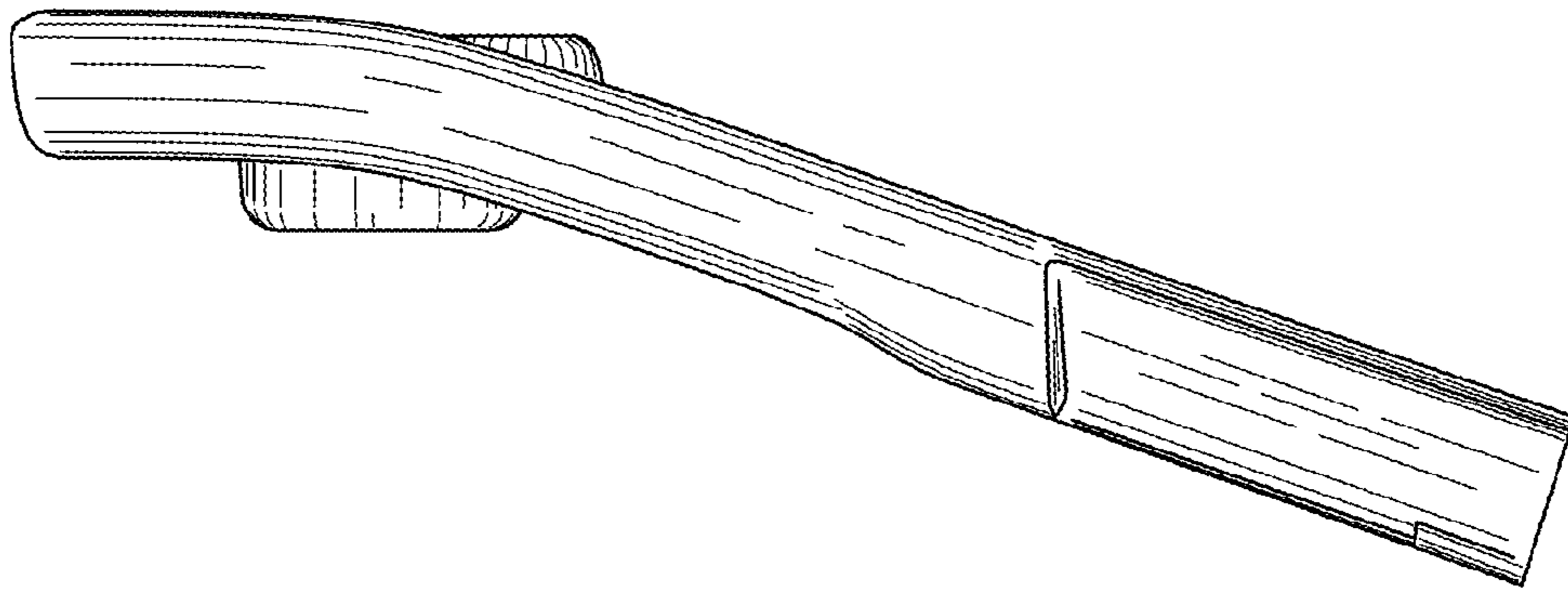


FIG. 7