

US00D749990S

(12) **United States Design Patent**  
**Reinius et al.**

(10) **Patent No.:** **US D749,990 S**  
(45) **Date of Patent:** **\*\* Feb. 23, 2016**

(54) **CHILD'S STROLLER**

16/35 R

(71) Applicant: **Thule IP AB**, Malmö (SE)  
(72) Inventors: **Pelle Reinius**, Stockholm (SE); **Martin Birath**, Lidingö (SE); **Oskar Juhlin**, Gustavsberg (SE)

D498,713 S 11/2004 Chou  
D498,714 S 11/2004 Chou  
6,893,040 B2 5/2005 Hou et al.  
D506,417 S 6/2005 Liao  
D506,418 S \* 6/2005 Liao ..... D12/129  
D519,063 S 4/2006 Chang

(Continued)

(73) Assignee: **Thule IP AB**, Malmö (SE)

**FOREIGN PATENT DOCUMENTS**

(\*\*) Term: **14 Years**

TW 524545 3/2003  
TW 541042 7/2003

(21) Appl. No.: **29/515,817**

(Continued)

(22) Filed: **Jan. 27, 2015**

**OTHER PUBLICATIONS**

**Related U.S. Application Data**

Search Report mailed Nov. 26, 2014; in Taiwanese patent application No. 103303760.

(63) Continuation of application No. 29/479,638, filed on Jan. 17, 2014, now Pat. No. Des. 724,501.

(Continued)

(51) **LOC (10) Cl.** ..... **12-12**

*Primary Examiner* — Susan Bennett Hattan

(52) **U.S. Cl.**

*Assistant Examiner* — Charles Hanson

USPC ..... **D12/129**

(58) **Field of Classification Search**

(74) *Attorney, Agent, or Firm* — Sterne, Kessler, Goldstein & Fox P.L.L.C.

USPC ..... D12/128–133

CPC ..... B62B 7/00–7/04; B62B 9/00–9/28

See application file for complete search history.

(57) **CLAIM**

We claim the ornamental design for a child's stroller, as shown and described.

(56) **References Cited**

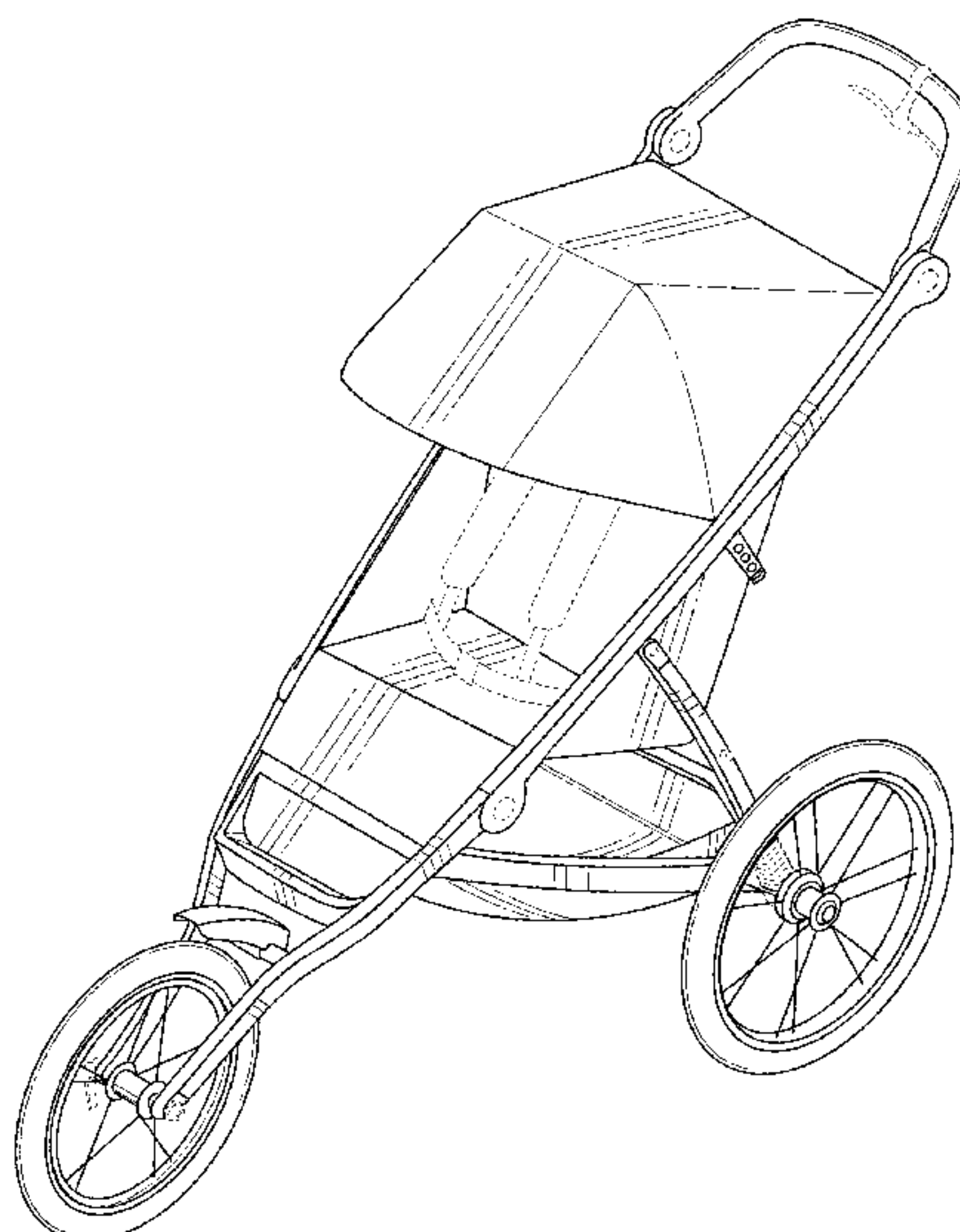
**DESCRIPTION**

**U.S. PATENT DOCUMENTS**

D371,094 S 6/1996 Hinkston  
D408,768 S 4/1999 Baechler et al.  
D419,113 S \* 1/2000 Everett ..... D12/129  
D426,176 S 6/2000 Sutherland et al.  
D442,895 S 5/2001 Chiu  
D452,194 S \* 12/2001 Stohr ..... D12/129  
D452,195 S 12/2001 Baechler  
D463,762 S \* 10/2002 Everett ..... D12/129  
D475,951 S 6/2003 Everett  
D481,976 S 11/2003 Everett  
6,671,926 B2 1/2004 Huang  
6,779,804 B1 \* 8/2004 Liu ..... B60B 1/006

FIG. 1 is a perspective view of a child's stroller;  
FIG. 2 is a front elevational view thereof;  
FIG. 3 is a rear elevational view thereof;  
FIG. 4 is a left side elevational view thereof;  
FIG. 5 is a right side elevational view thereof;  
FIG. 6 is a top plan view thereof; and,  
FIG. 7 is a bottom plan view thereof.  
The broken lines depict parts of the child's stroller that form no part of the claimed design.

**1 Claim, 7 Drawing Sheets**



(56)

**References Cited**

U.S. PATENT DOCUMENTS

D520,415 S	5/2006	Liu	
7,077,420 B1 *	7/2006	Santoski	..... B62B 7/062 280/639
7,083,175 B1 *	8/2006	Liu	..... B60B 1/006 16/35 R
D529,844 S *	10/2006	Chen	..... D12/129
D564,948 S *	3/2008	Liu	..... D12/129
D587,635 S *	3/2009	Gower	..... D12/129
D616,340 S	5/2010	Wu	
D622,640 S	8/2010	Gower et al.	
D687,352 S	8/2013	Shellenberger	
D723,746 S *	3/2015	Jakubowski	..... D30/109
D724,501 S *	3/2015	Reinius	..... D12/129
D735,621 S *	8/2015	Yi	..... D12/129

FOREIGN PATENT DOCUMENTS

TW	D104076	4/2005
TW	D134959	5/2010

OTHER PUBLICATIONS

English translation for the Search Report mailed Nov. 26, 2014; in Taiwanese patent application No. 103303760.

Search Report mailed Nov. 26, 2014; in Taiwanese patent application No. 103303759.

English translation for the Search Report mailed Nov. 26, 2014; in Taiwanese patent application No. 103303759.

English translation for TW524545; published on Mar. 11, 2003 and retrieved on Dec. 11, 2014.

English translation for TW541042; published on Jul. 1, 2003 and retrieved on Dec. 11, 2014.

English translation for TWD104076; published on Apr. 11, 2005 and retrieved on Dec. 11, 2014.

English translation for TWD134959; published on May 21, 2010 and retrieved on Dec. 11, 2014.

\* cited by examiner



FIG. 1

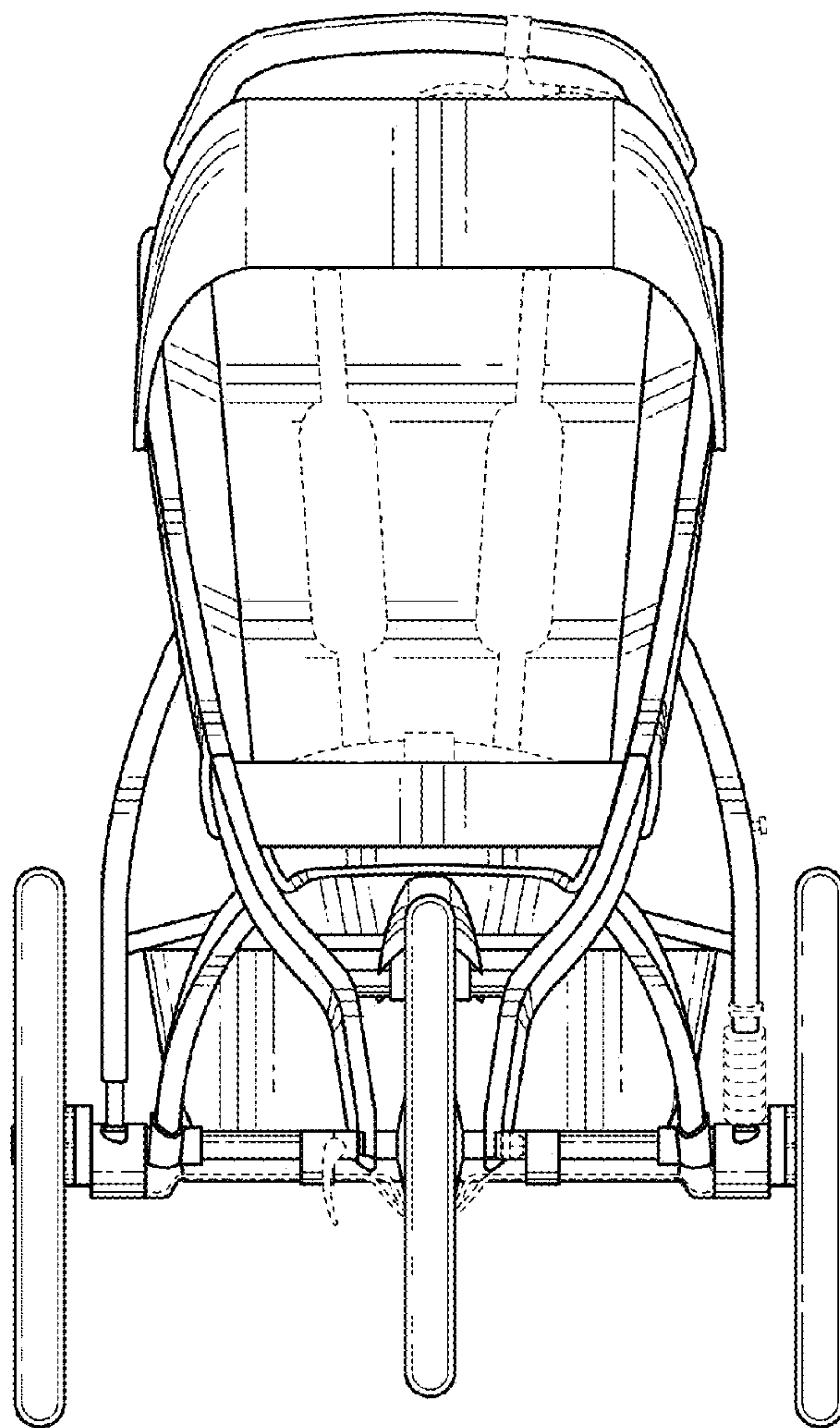


FIG. 2



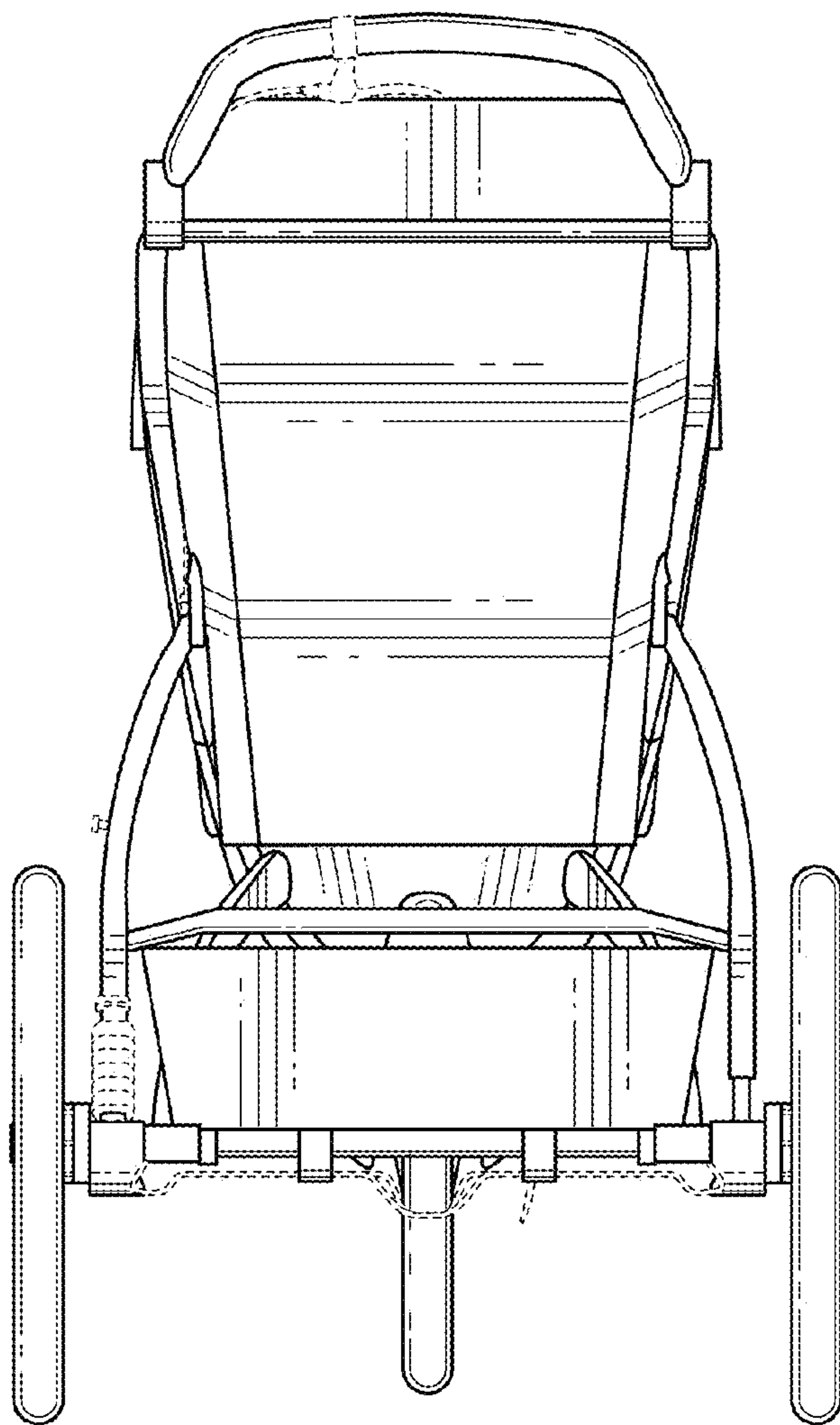


FIG. 3

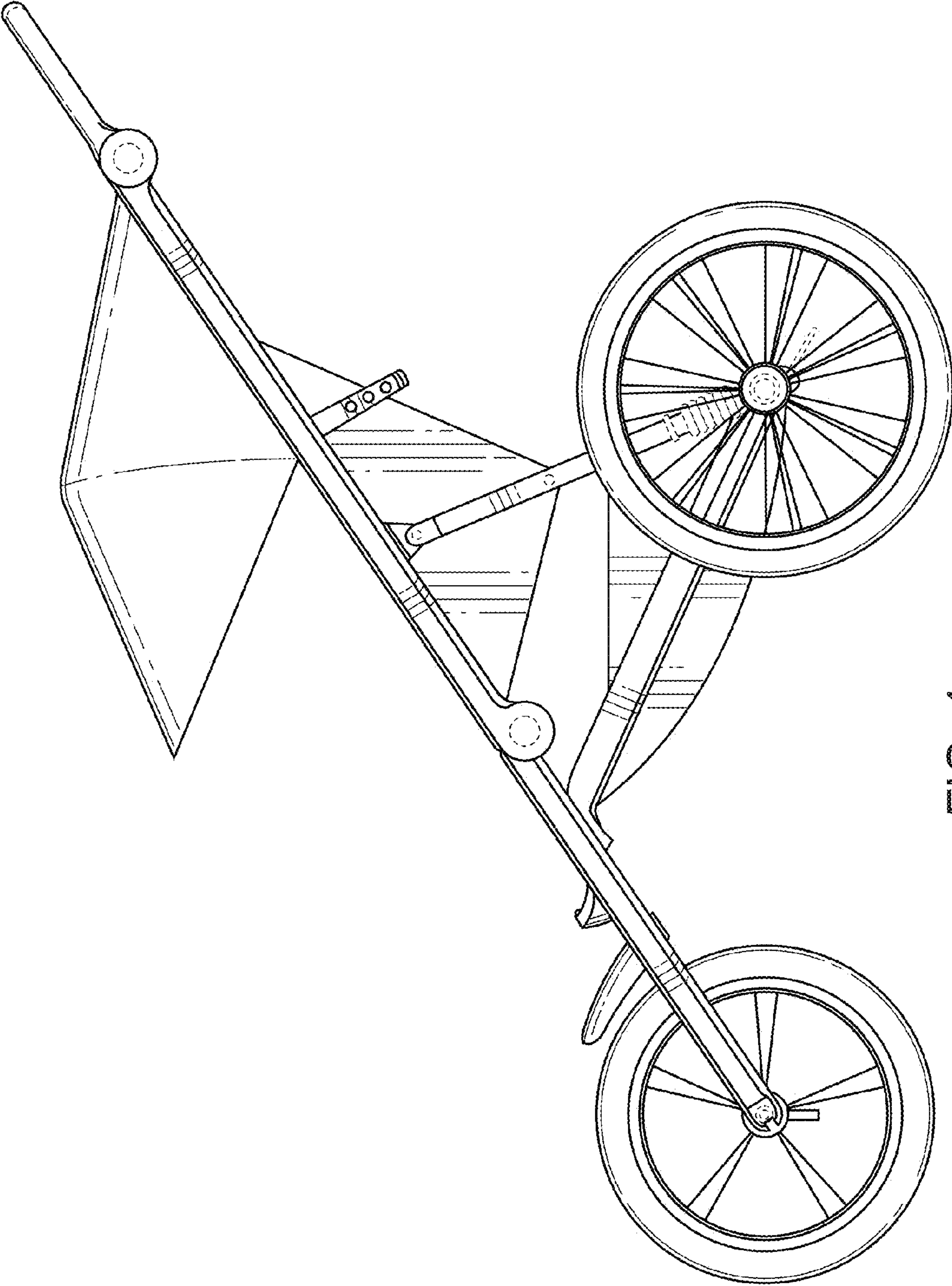


FIG. 4

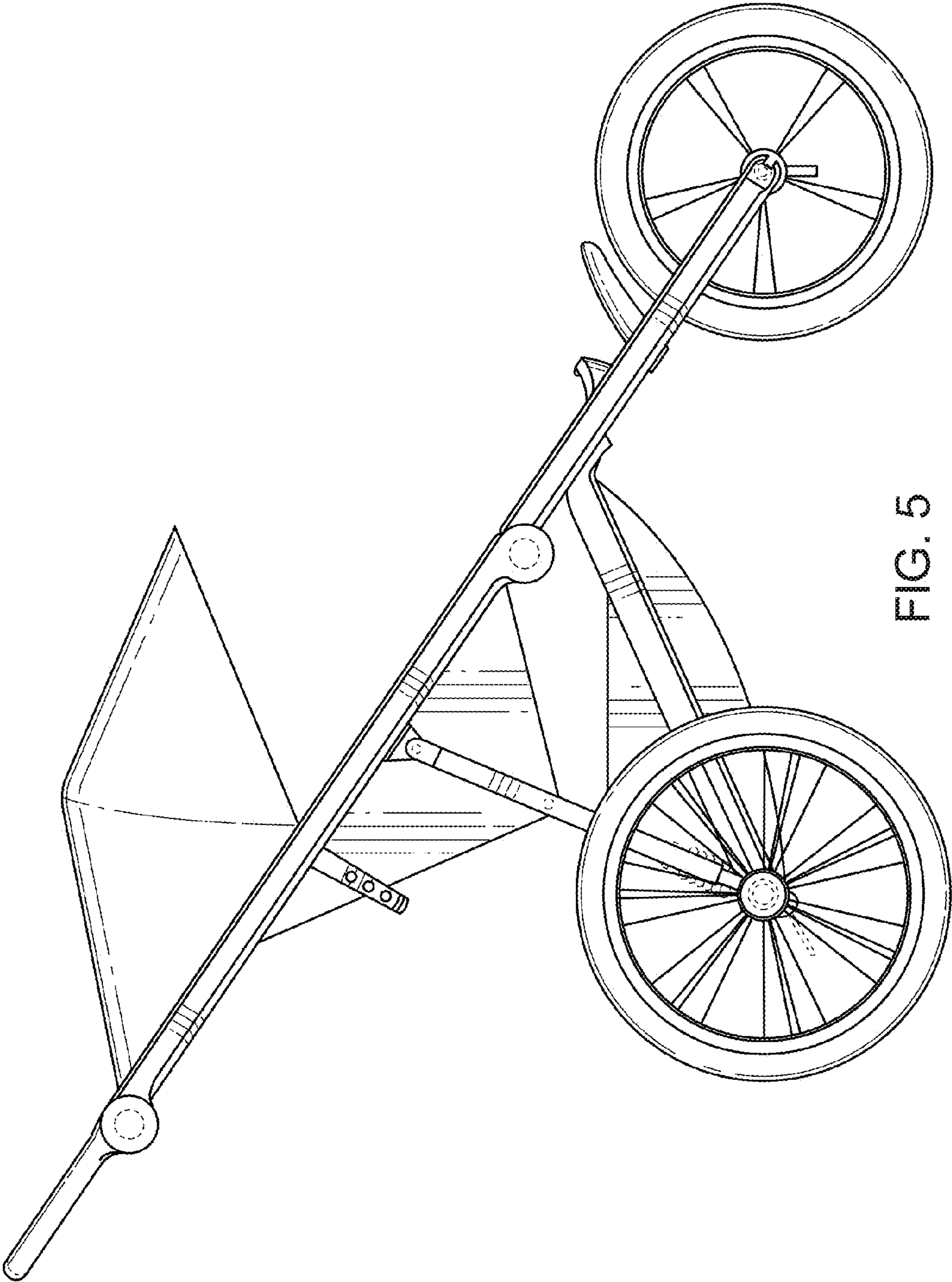


FIG. 5

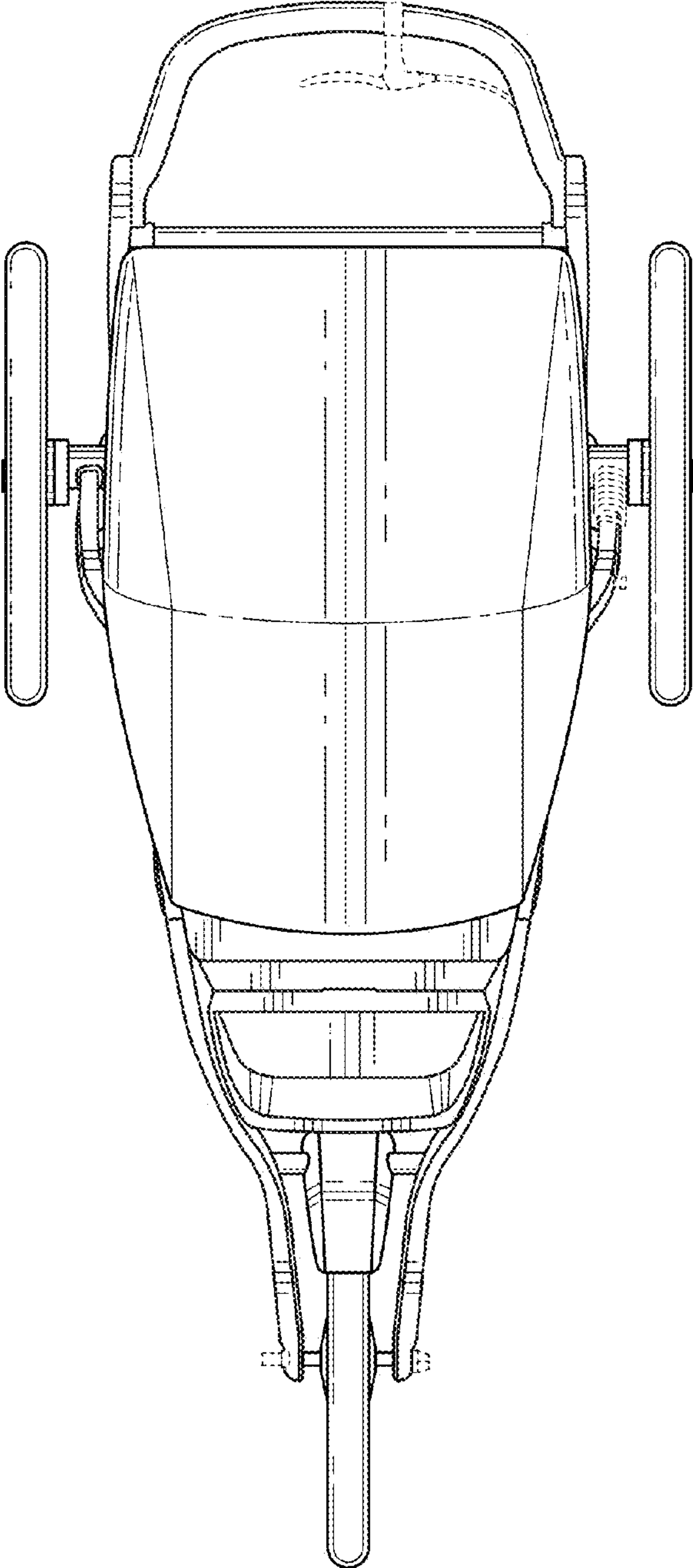


FIG. 6



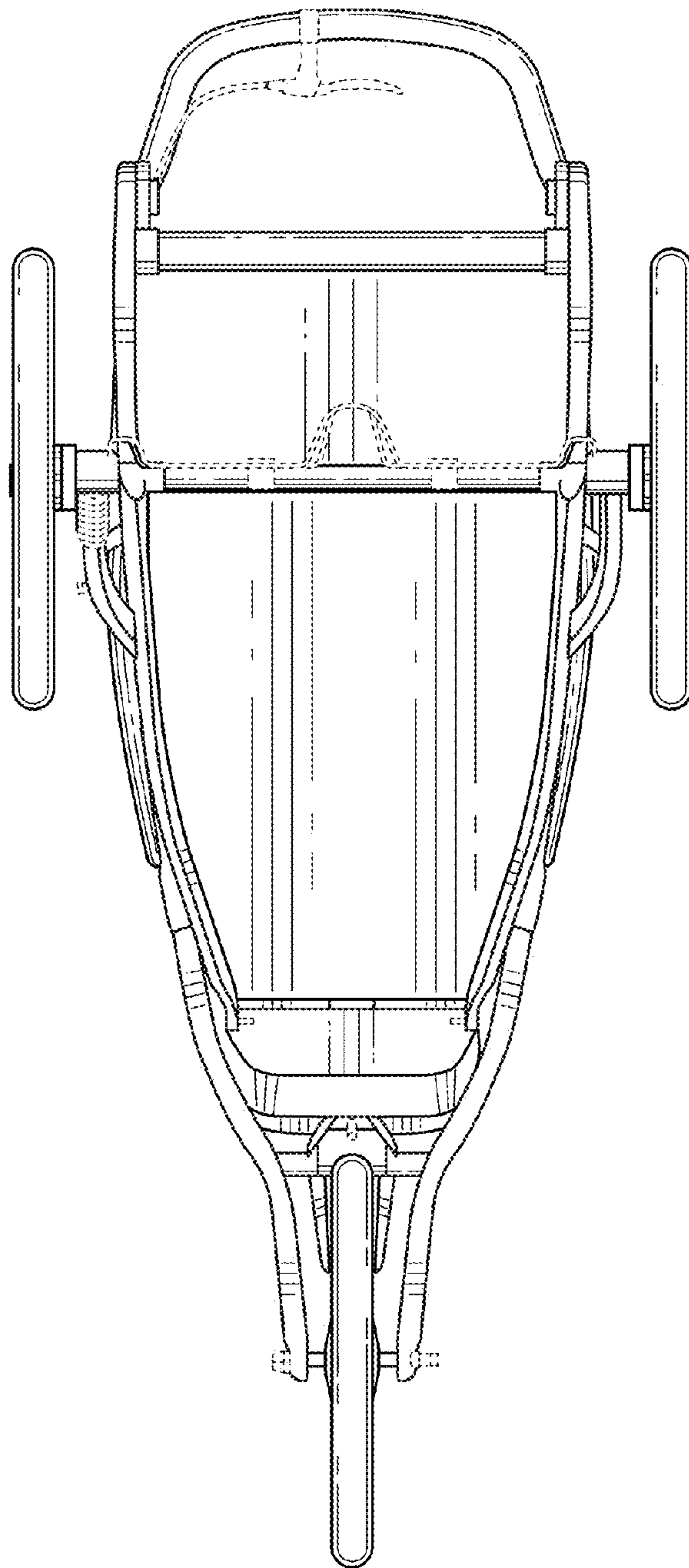


FIG. 7