



US00D749984S

(12) **United States Design Patent**
Nishimura et al.

(10) **Patent No.:** **US D749,984 S**

(45) **Date of Patent:** **** Feb. 23, 2016**

(54) **BOGIE FOR RAILCAR**

(71) Applicant: **KAWASAKI JUKOGYO**
KABUSHIKI KAISHA, Kobe-shi (JP)

(72) Inventors: **Takehiro Nishimura**, Hyogo (JP);
Shunichi Nakao, Hyogo (JP)

(73) Assignee: **KAWASAKI JUKOGYO**
KABUSHIKI KAISHA, Kobe-shi (JP)

(**) Term: **14 Years**

(21) Appl. No.: **29/437,068**

(22) Filed: **Nov. 13, 2012**

(30) **Foreign Application Priority Data**

May 15, 2012 (JP) 2012-011302

(51) **LOC (10) Cl.** **12-03**

(52) **U.S. Cl.**
USPC **D12/42**

(58) **Field of Classification Search**
USPC D12/42, 43, 39, 46, 40; 105/34.1, 167,
105/182.1, 4.2, 199.1, 342, 165, 218.2, 180,
105/133, 49, 157.1, 168, 197.05, 218.1, 96,
105/200; 188/52, 219.6, 219.1, 223.1,
188/226.1, 233.3
CPC B61F 1/00; B61F 5/06; B61F 5/38;
B61F 5/305; B61F 5/12; B61D 1/00; B61C
9/00
See application file for complete search history.

(56) **References Cited**

U.S. PATENT DOCUMENTS

7,004,078 B2 * 2/2006 Nishimura et al. 105/157.1
7,527,131 B1 * 5/2009 Wike 188/219.6

8,381,659 B2 * 2/2013 Rodet et al. 105/165
8,413,592 B2 * 4/2013 Forbes et al. 105/453
8,474,578 B2 * 7/2013 Halford et al. 188/52
8,656,839 B2 * 2/2014 Nishimura et al. 105/197.1
8,689,701 B2 * 4/2014 Sun et al. 105/197.05
2004/0123767 A1 * 7/2004 Nishimura et al. 105/157.1
2008/0035432 A1 * 2/2008 Ring et al. 188/52
2009/0126599 A1 * 5/2009 Forbes et al. 105/167
2010/0132585 A1 * 6/2010 Rodet et al. 105/133
2011/0185939 A1 * 8/2011 Forbes et al. 105/168
2012/0279416 A1 * 11/2012 Nishimura et al. 105/218.1
2014/0123870 A1 * 5/2014 Nishimura et al. 105/197.05
2014/0137765 A1 * 5/2014 Nishimura et al. 105/182.1
2014/0144347 A1 * 5/2014 Nishimura et al. 105/197.05
2014/0261061 A1 * 9/2014 Chu et al. 105/96

* cited by examiner

Primary Examiner — Eric Goodman

Assistant Examiner — Clese Moore, Jr.

(74) *Attorney, Agent, or Firm* — Marshall, Gerstein & Borun
LLP

(57) **CLAIM**

The ornamental design for a bogie for railcar, as shown.

DESCRIPTION

FIG. 1 is a front elevation view of a bogie for railcar that has the design.

FIG. 2 is a rear elevation view of the bogie for railcar.

FIG. 3 is a plan view of the bogie for railcar.

FIG. 4 is a bottom view of the bogie for railcar.

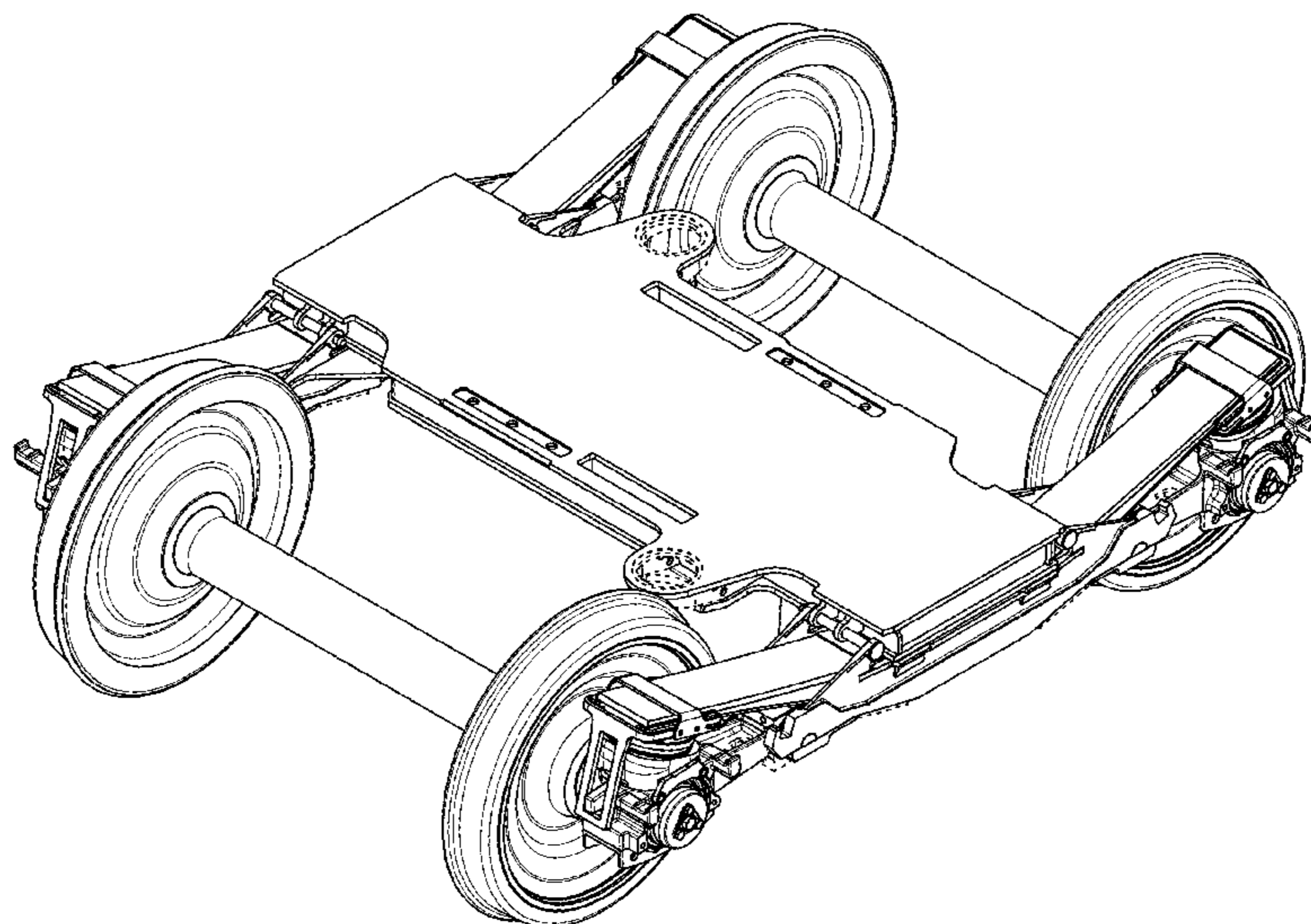
FIG. 5 is a left-side elevation view of the bogie for railcar.

FIG. 6 is a right-side elevation view of the bogie for railcar; and,

FIG. 7 is a perspective view of the bogie for railcar.

The broken lines represent unclaimed parts of the bogey for railcar and form no part of the claimed design.

1 Claim, 5 Drawing Sheets



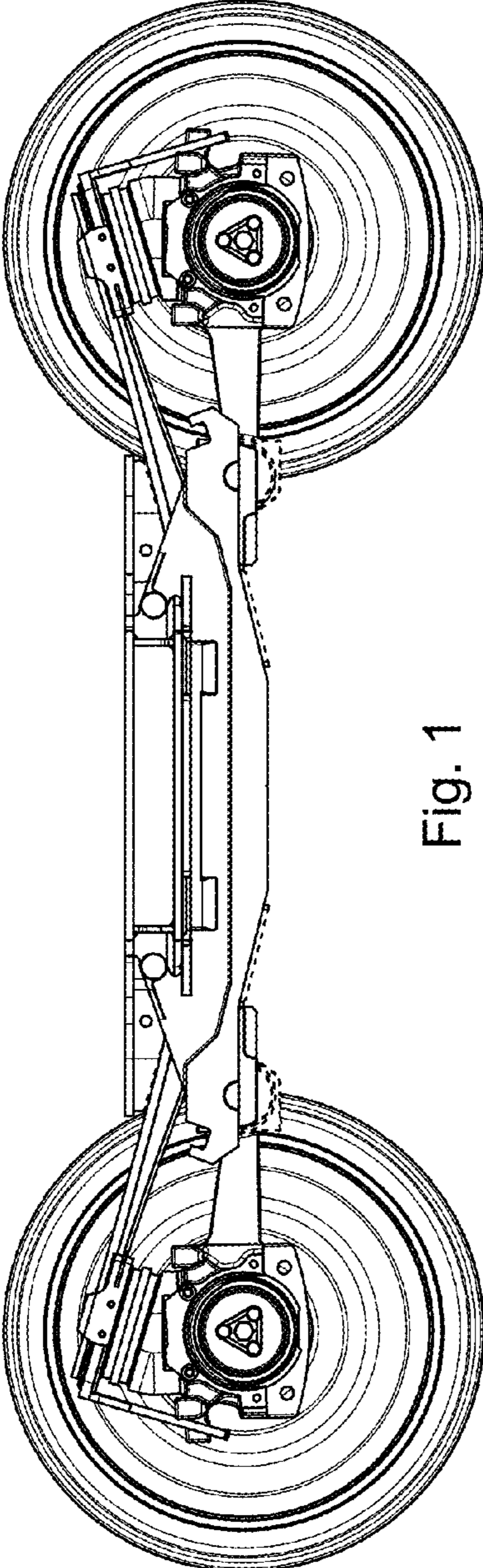


Fig. 1

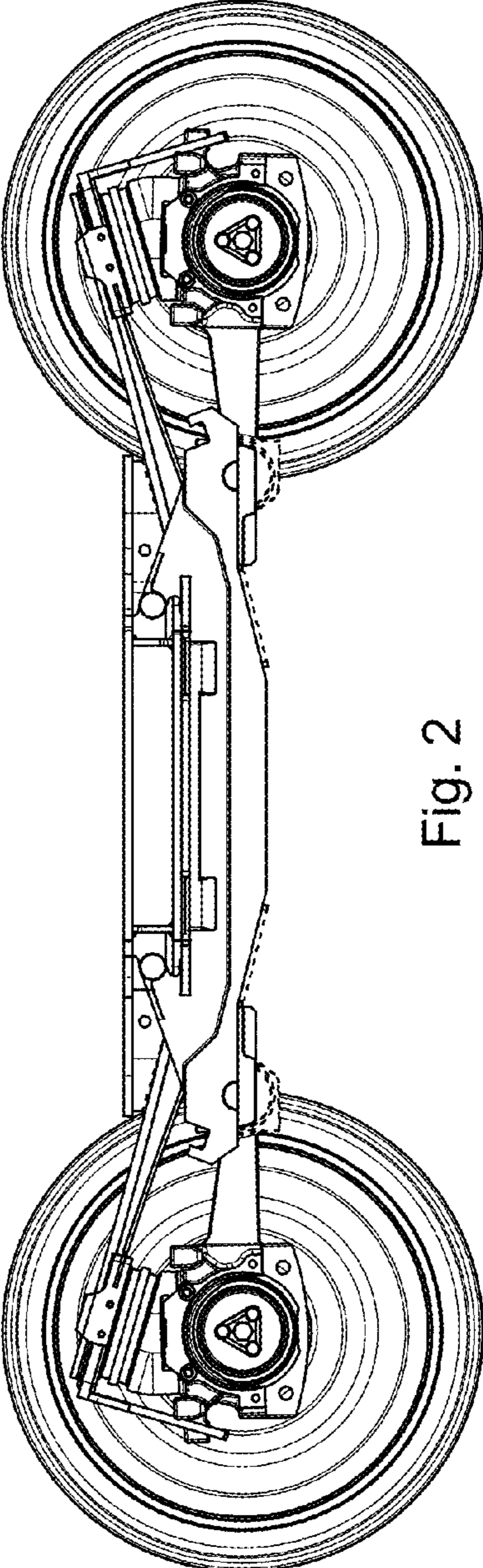


Fig. 2

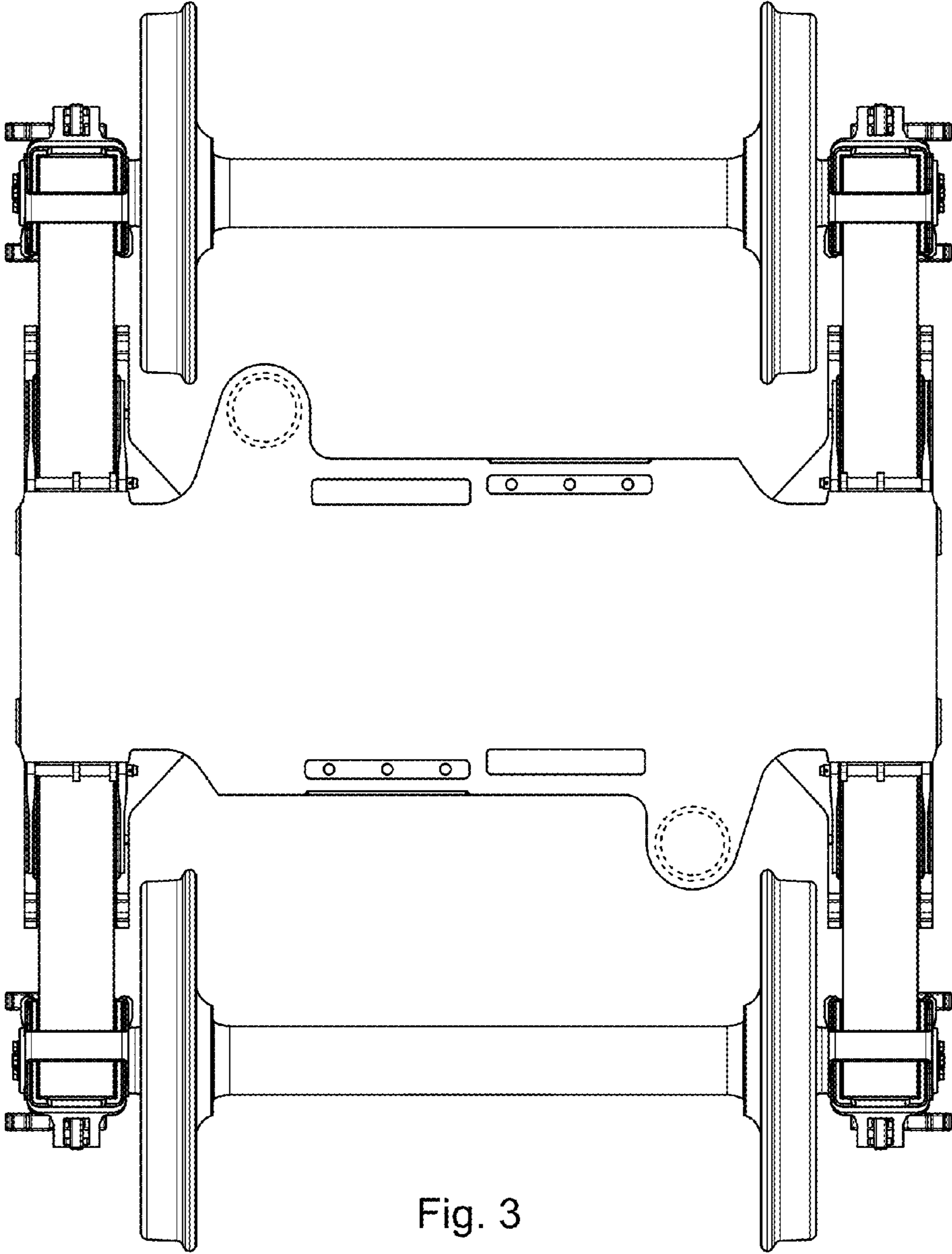


Fig. 3

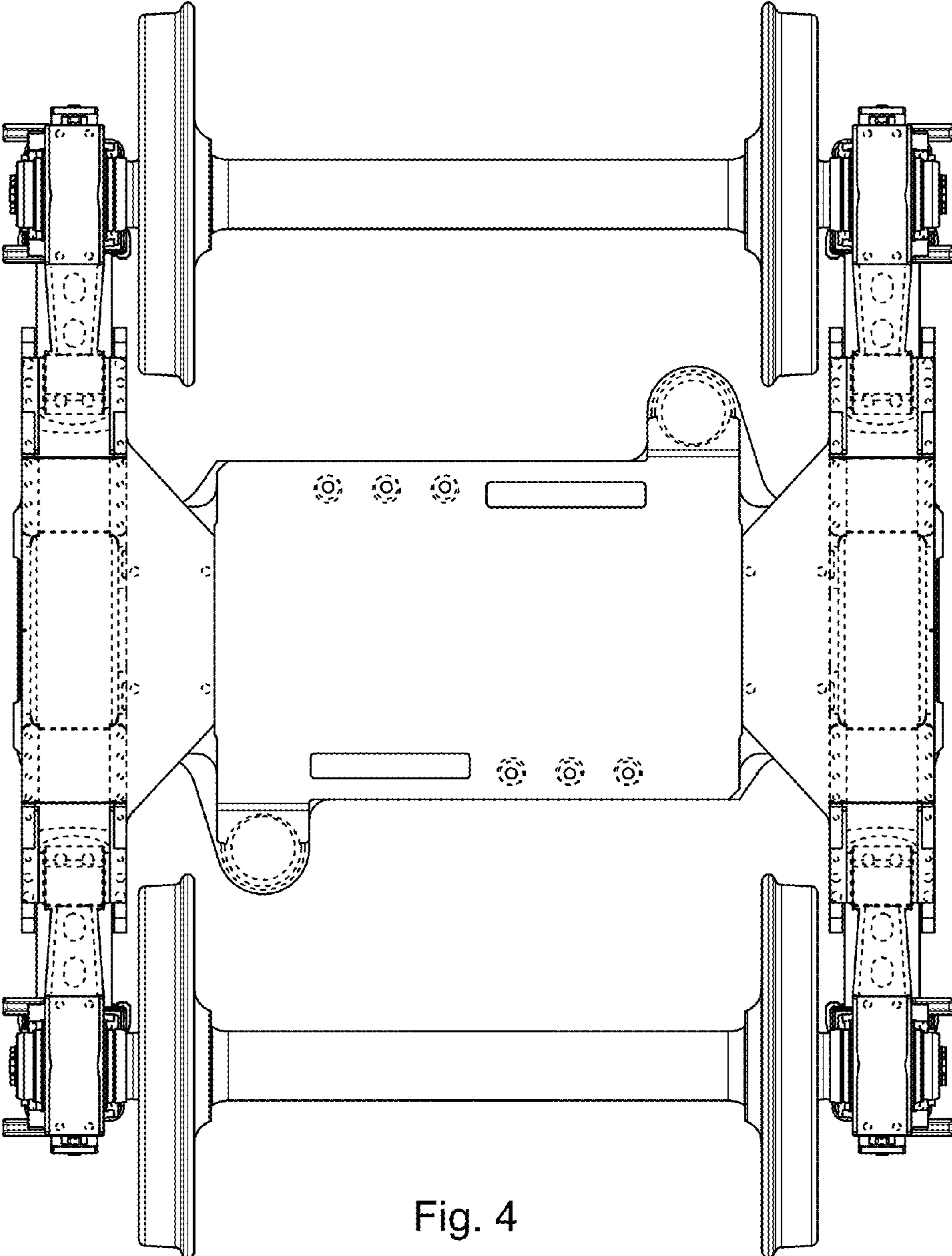


Fig. 4

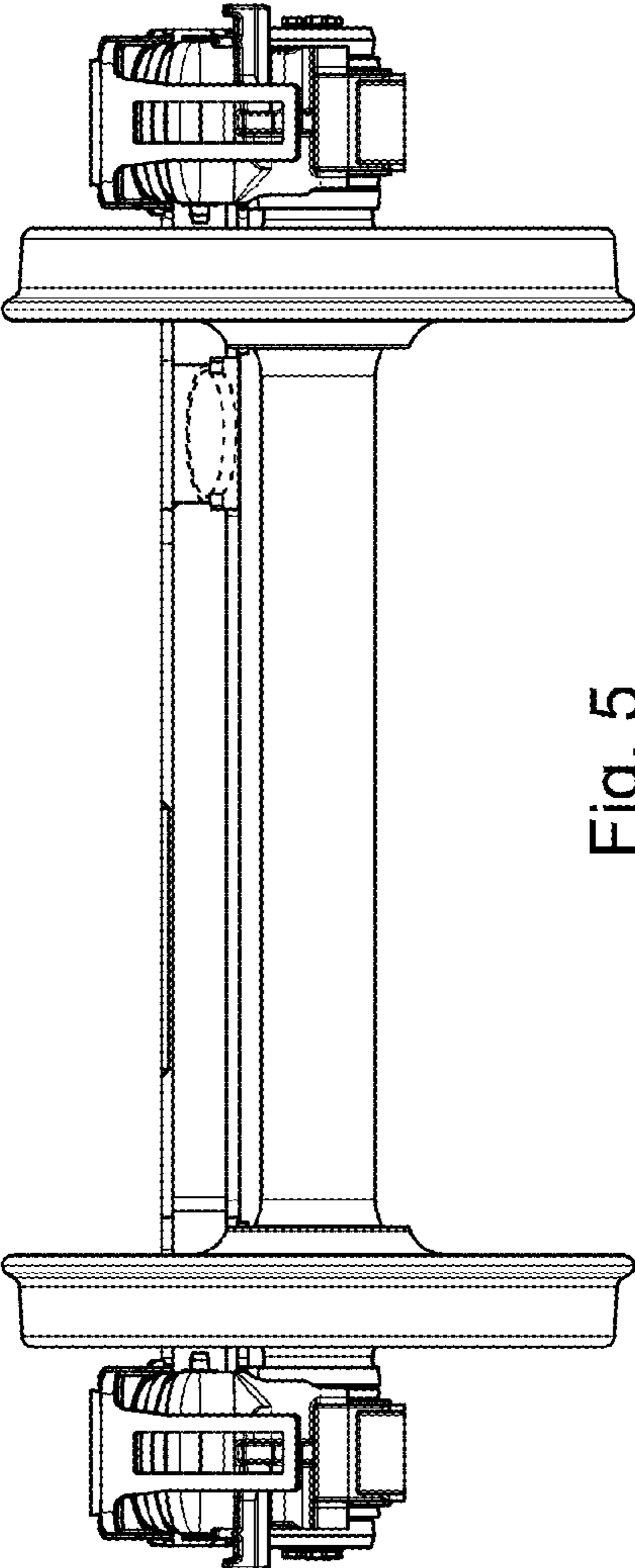


Fig. 5

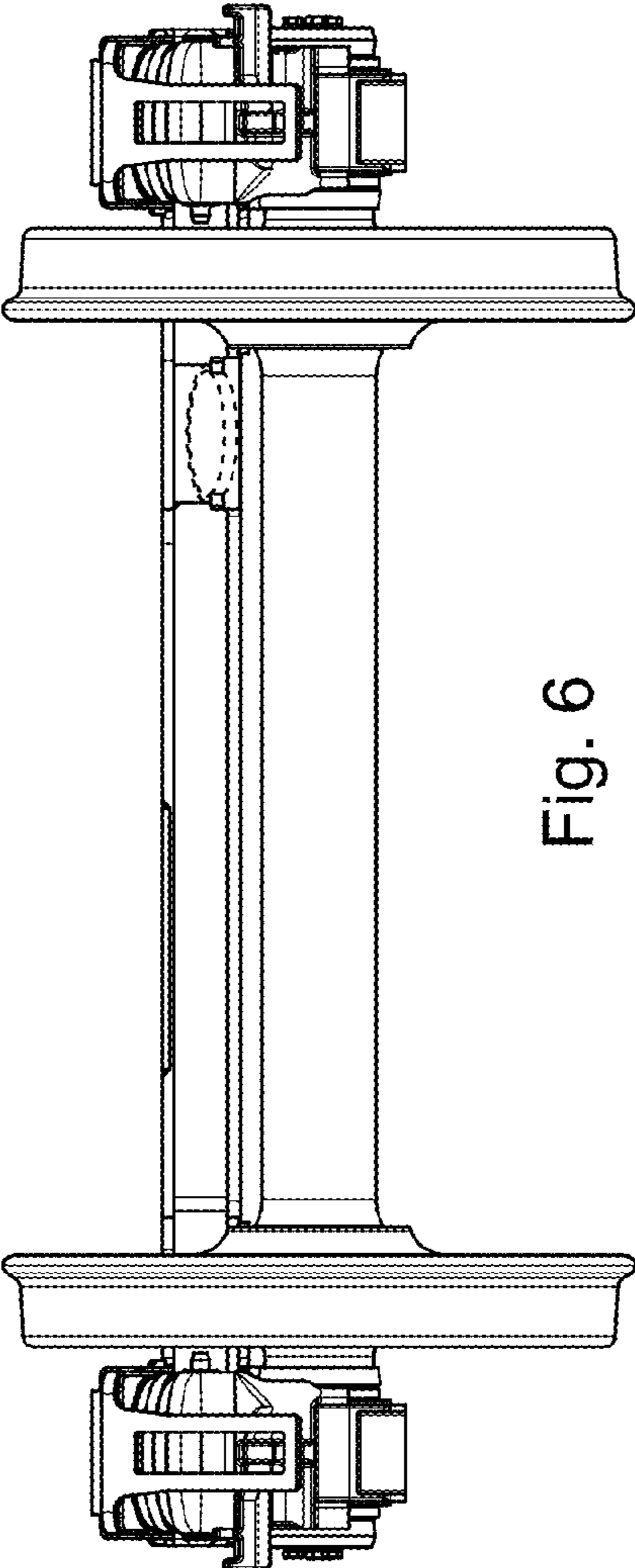


Fig. 6

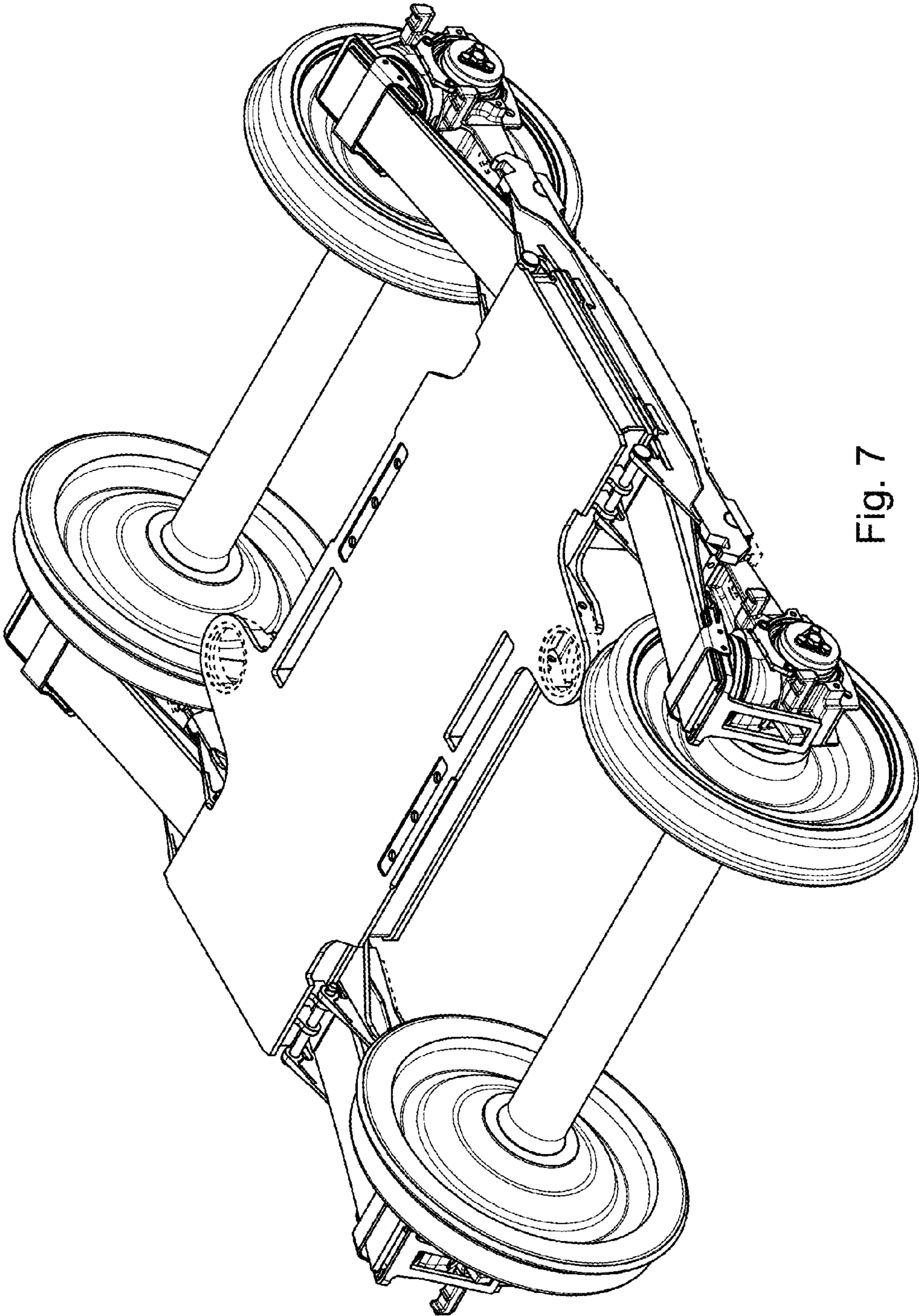


Fig. 7