



US00D749975S

(12) **United States Design Patent**
Hoßbach et al.

(10) **Patent No.:** **US D749,975 S**

(45) **Date of Patent:** **** Feb. 23, 2016**

(54) **EMERGENCY SIGNALING DEVICE**

D391,186 S * 2/1998 Fagence D10/106.1
D441,108 S * 4/2001 Poon D26/37
D515,717 S * 2/2006 Cormier D26/37

(71) Applicant: **R. Stahl Schaltgeräte GmbH,**
Waldenburg (DE)

* cited by examiner

(72) Inventors: **André Hoßbach,** Erfurt (DE); **Matthew John McDougall,** Weimar (DE)

Primary Examiner — George D Kirschbaum

(74) *Attorney, Agent, or Firm* — Fitch, Even, Tabin & Flannery LLP

(73) Assignee: **R. STAHL SCHALTGERÄTE GMBH,** Waldenburg (DE)

(**) Term: **14 Years**

(57) **CLAIM**

We claim the ornamental design for an emergency signaling device, as shown and described.

(21) Appl. No.: **29/500,435**

(22) Filed: **Aug. 25, 2014**

DESCRIPTION

(30) **Foreign Application Priority Data**

Apr. 25, 2014 (EM) 002453019

(51) **LOC (10) Cl.** **10-05**

(52) **U.S. Cl.**
USPC **D10/114.2**

(58) **Field of Classification Search**
USPC D10/114.1, 114.2, 106.1; D26/37
See application file for complete search history.

FIG. 1 is a rear perspective view of my new design comprising an emergency signaling device;
FIG. 2 is a top view of the emergency signaling device of FIG. 1;
FIG. 3 is a left side view of the emergency signaling device of FIG. 1;
FIG. 4 is a front view of the emergency signaling device of FIG. 1;
FIG. 5 is a right side view of the emergency signaling device of FIG. 1;
FIG. 6 is a rear side view of the emergency signaling device of FIG. 1; and,
FIG. 7 is a bottom view of the emergency signaling device of FIG. 1.

The broken lines shown in the drawings illustrate portions of the device that form no part of the claimed design.

(56) **References Cited**

U.S. PATENT DOCUMENTS

D232,185 S * 7/1974 Rhoades et al. D10/114.1
D336,689 S * 6/1993 Hung D10/114.1
D349,256 S * 8/1994 Bellinger D10/114.2
D349,968 S * 8/1994 Elliott D10/114.1

1 Claim, 7 Drawing Sheets

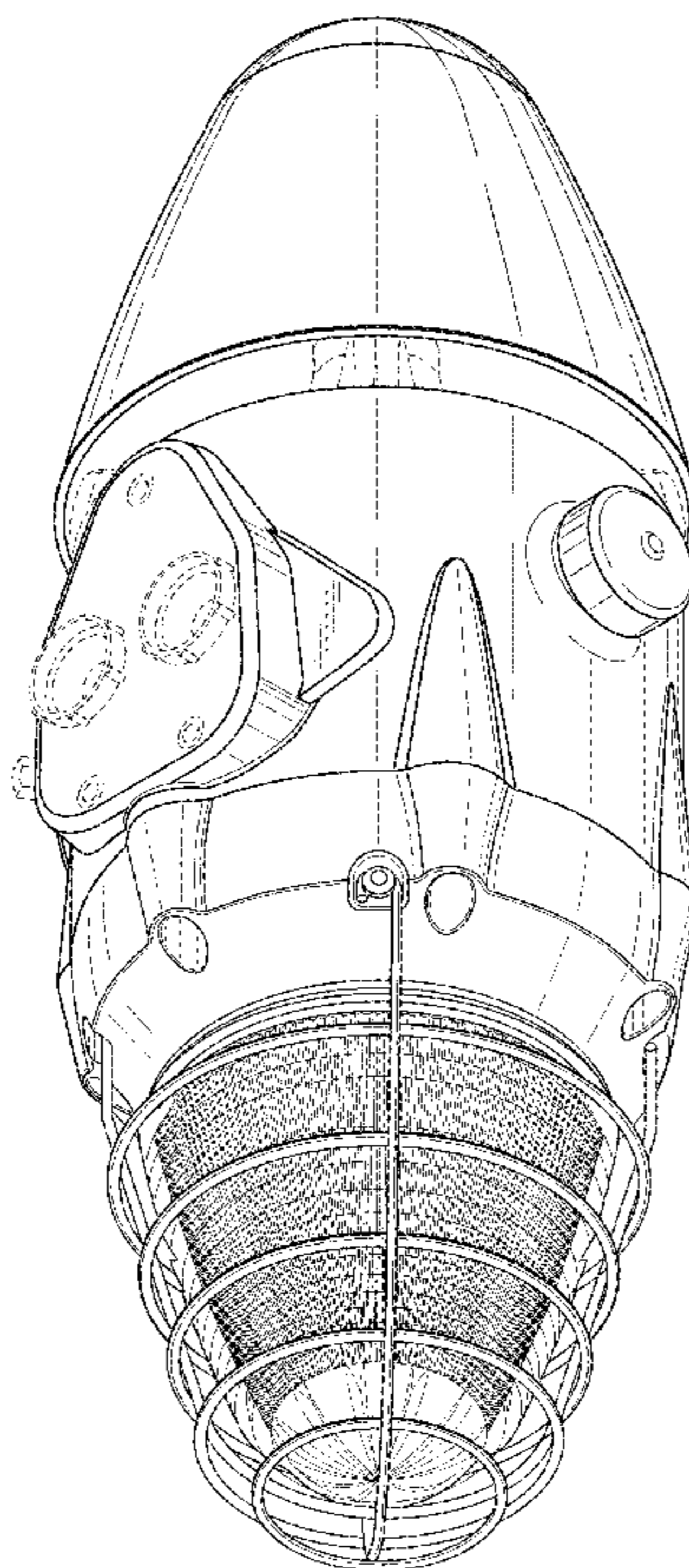


FIG. 1

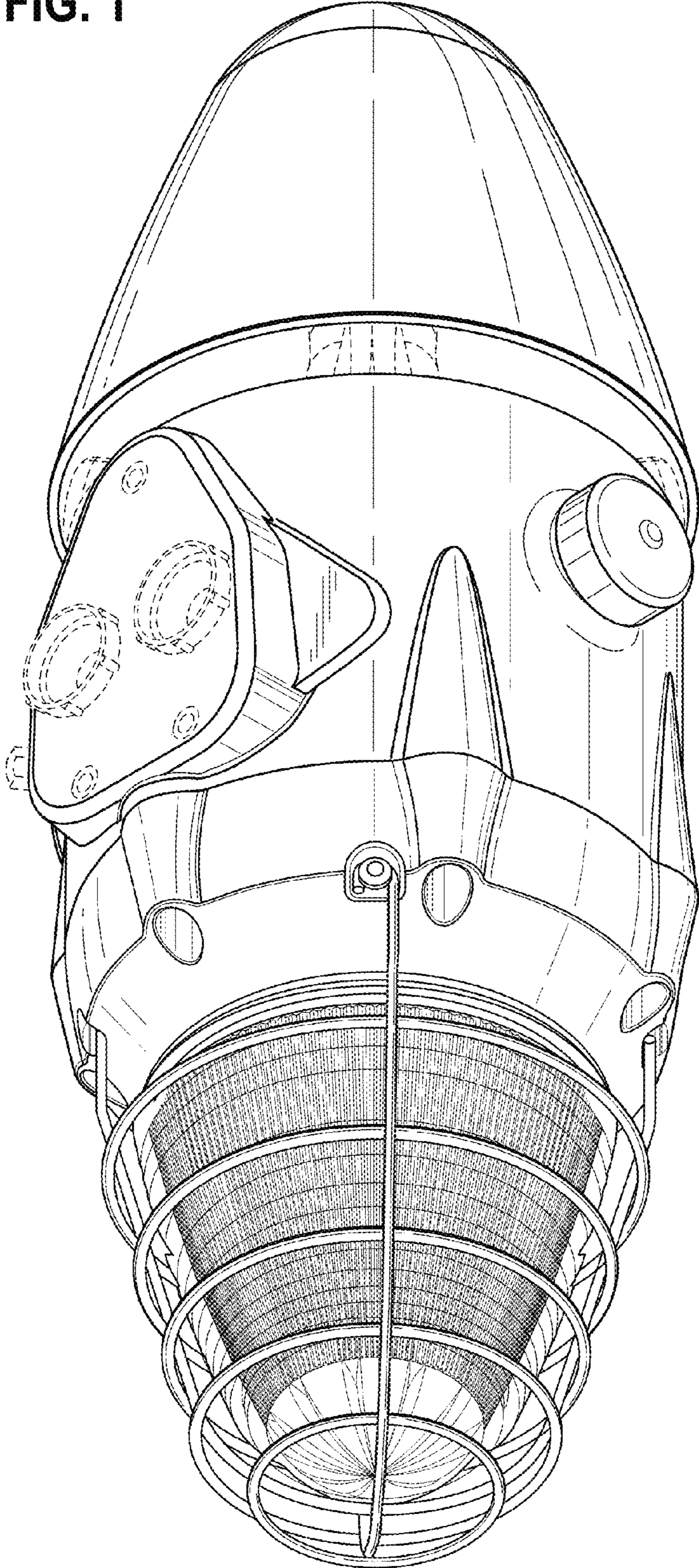


FIG. 2

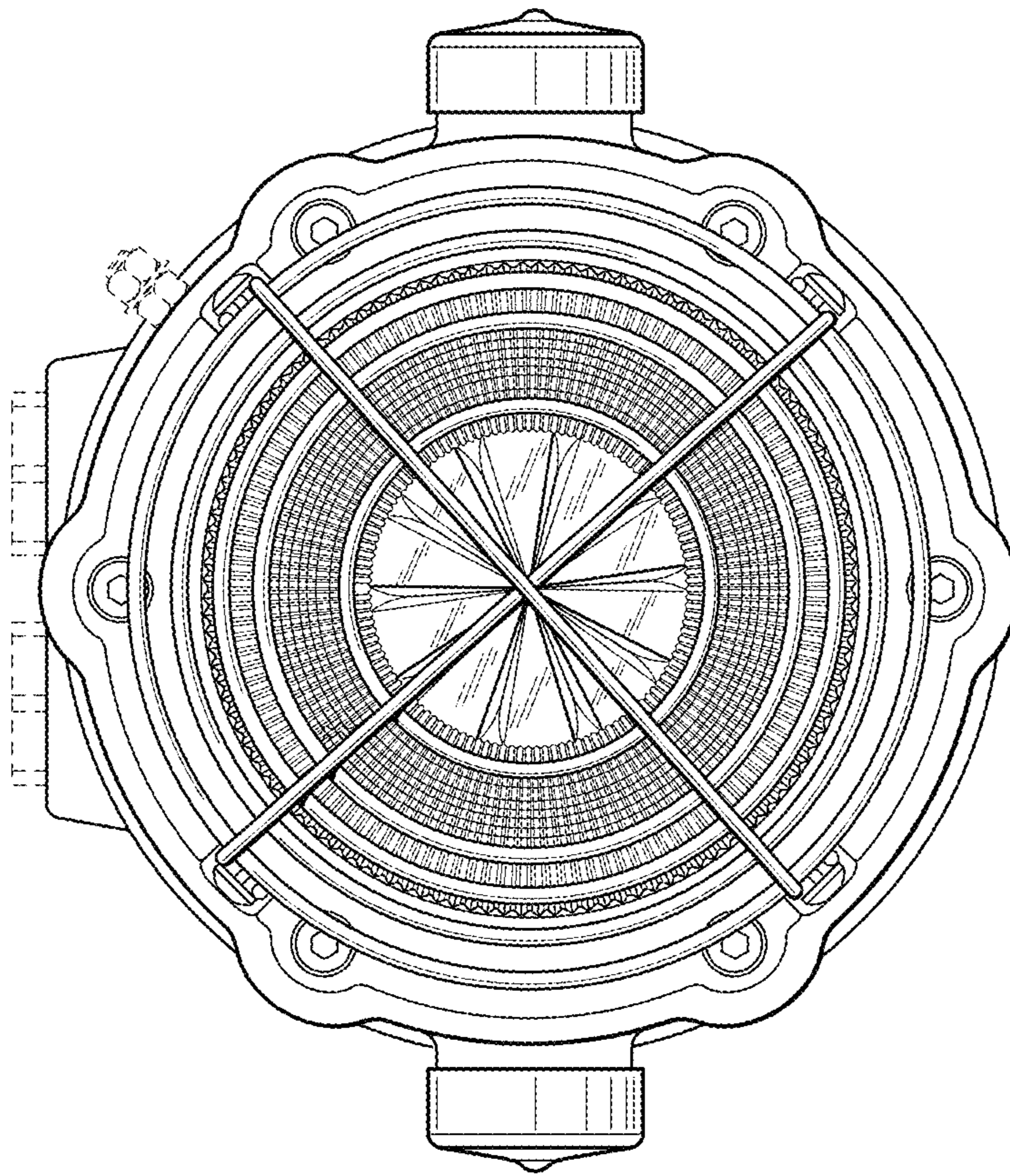


FIG. 3

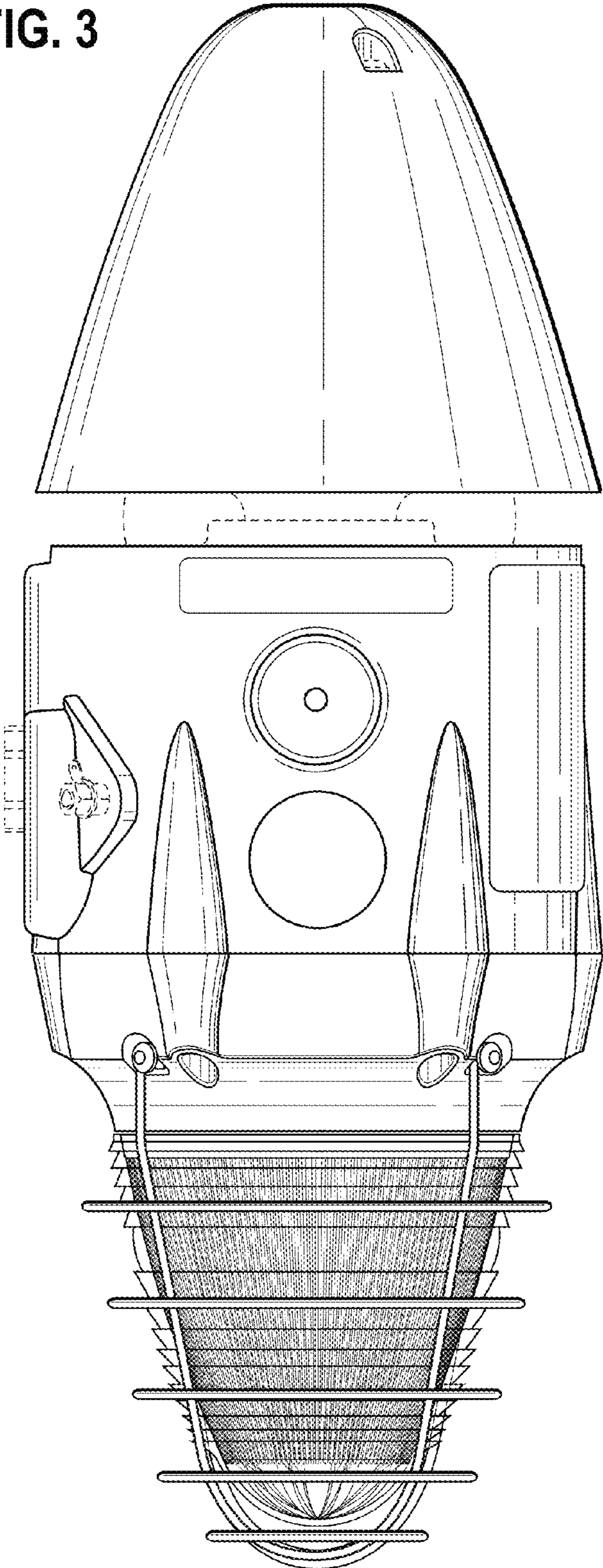


FIG. 4

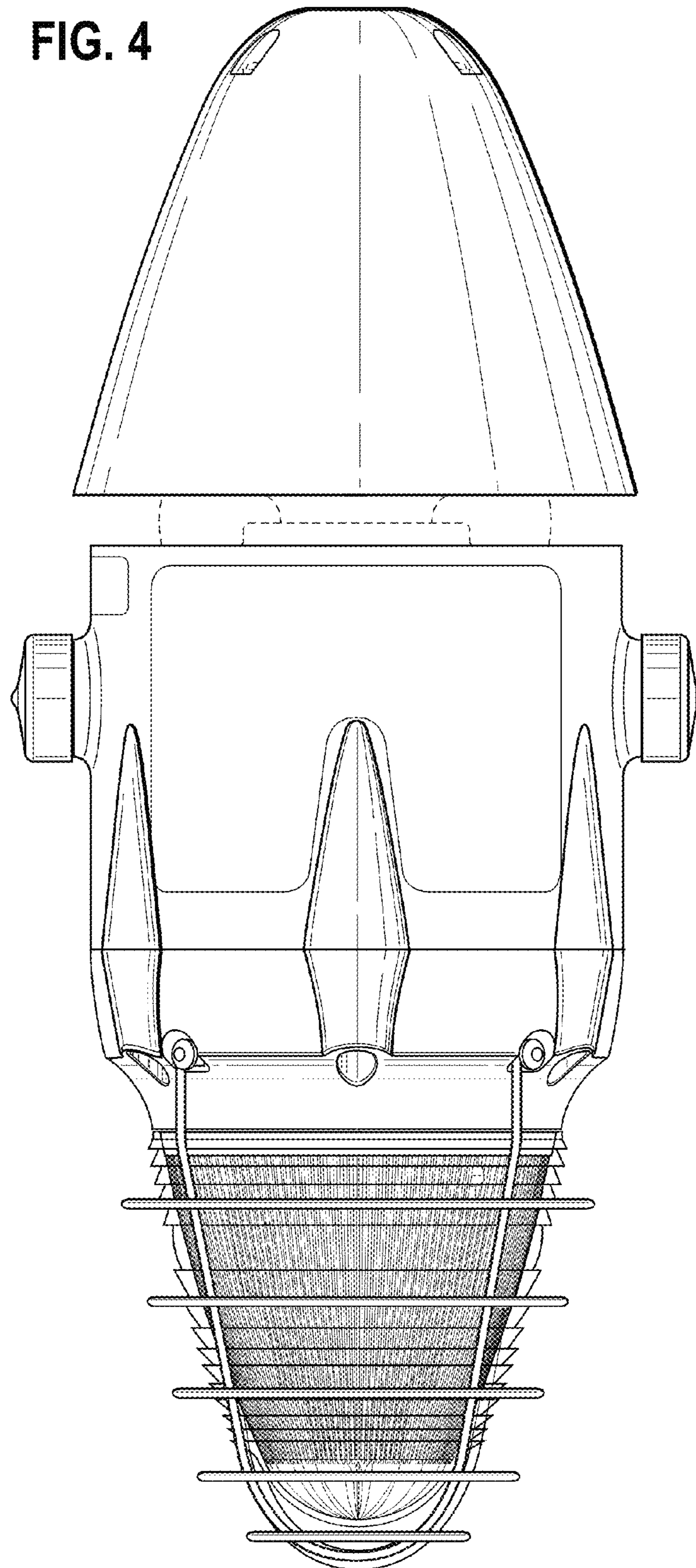


FIG. 5

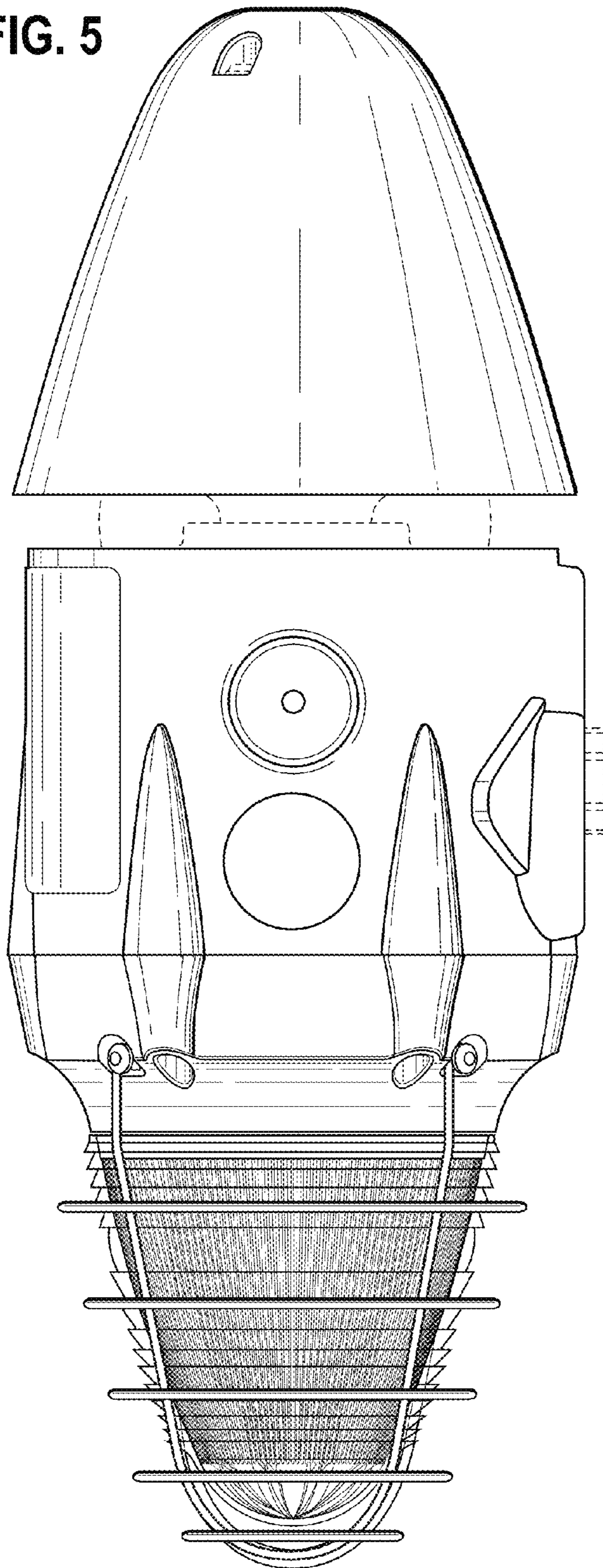


FIG. 6

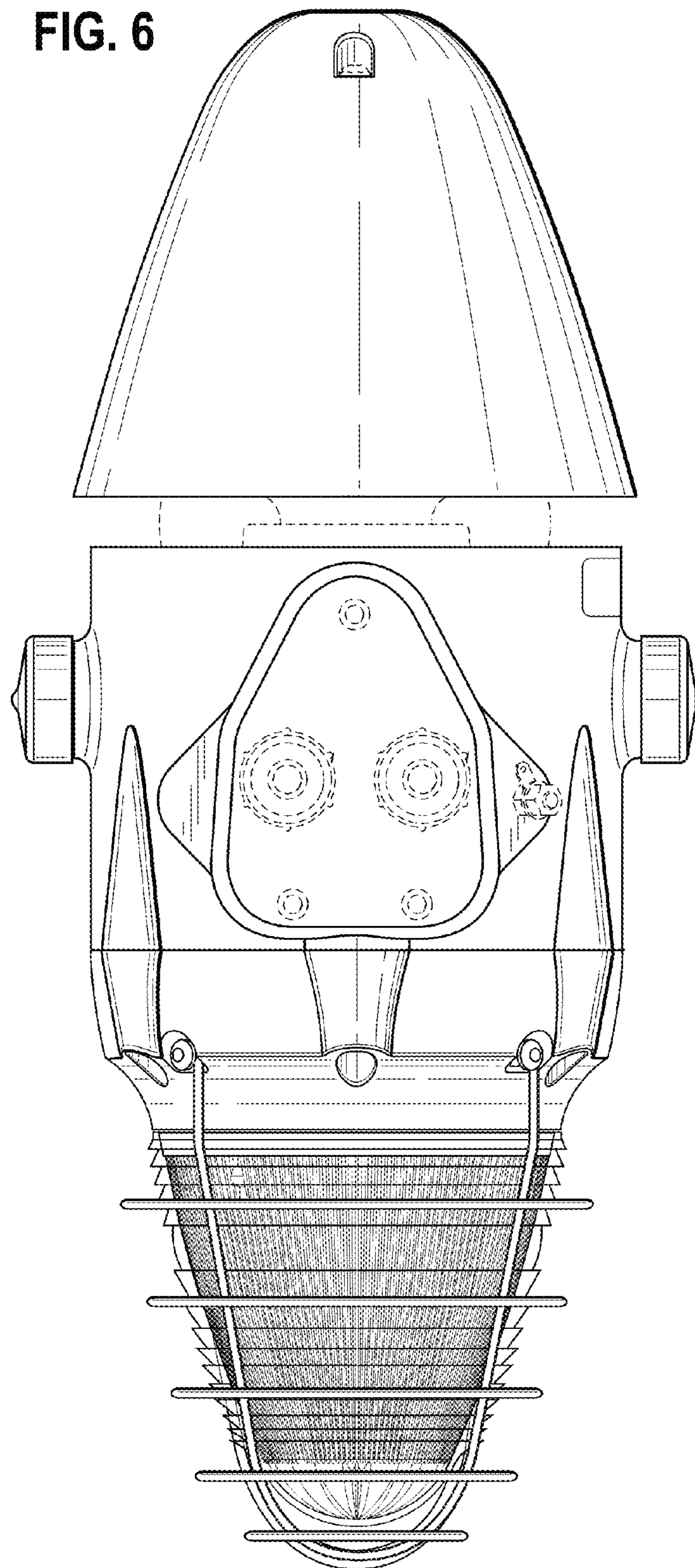


FIG. 7

