



US00D749967S

(12) **United States Design Patent**  
**Marlow**

(10) **Patent No.:** **US D749,967 S**

(45) **Date of Patent:** **\*\* Feb. 23, 2016**

(54) **RAIN GAUGE BASE**

D336,861 S \* 6/1993 Nicholas ..... D10/56

\* cited by examiner

(71) Applicant: **Harold Marlow**, Urbana, IL (US)

*Primary Examiner* — Antoine D Davis

(72) Inventor: **Harold Marlow**, Urbana, IL (US)

(74) *Attorney, Agent, or Firm* — Michael Antoline

(\*\*) Term: **14 Years**

(57) **CLAIM**

The ornamental design for a rain gauge base, as shown and described.

(21) Appl. No.: **29/508,232**

**DESCRIPTION**

(22) Filed: **Nov. 4, 2014**

(51) **LOC (10) Cl.** ..... **10-04**

(52) **U.S. Cl.**

USPC ..... **D10/56; D10/60**

(58) **Field of Classification Search**

USPC ..... D10/56, 60

CPC ..... G01W 1/14

See application file for complete search history.

FIG. 1 is a top perspective view of the rain gauge base.  
FIG. 2 is a front elevation view of the rain gauge base.  
FIG. 3 is a right side elevation view of the rain gauge base.  
FIG. 4 is a rear elevation view of the rain gauge base.  
FIG. 5 is a left side elevation view of the rain gauge base.  
FIG. 6 is a top plan view of the rain gauge base.  
FIG. 7 is a bottom plan view of the rain gauge base; and,  
FIG. 8 is a perspective view of the rain gauge in a folded configuration.

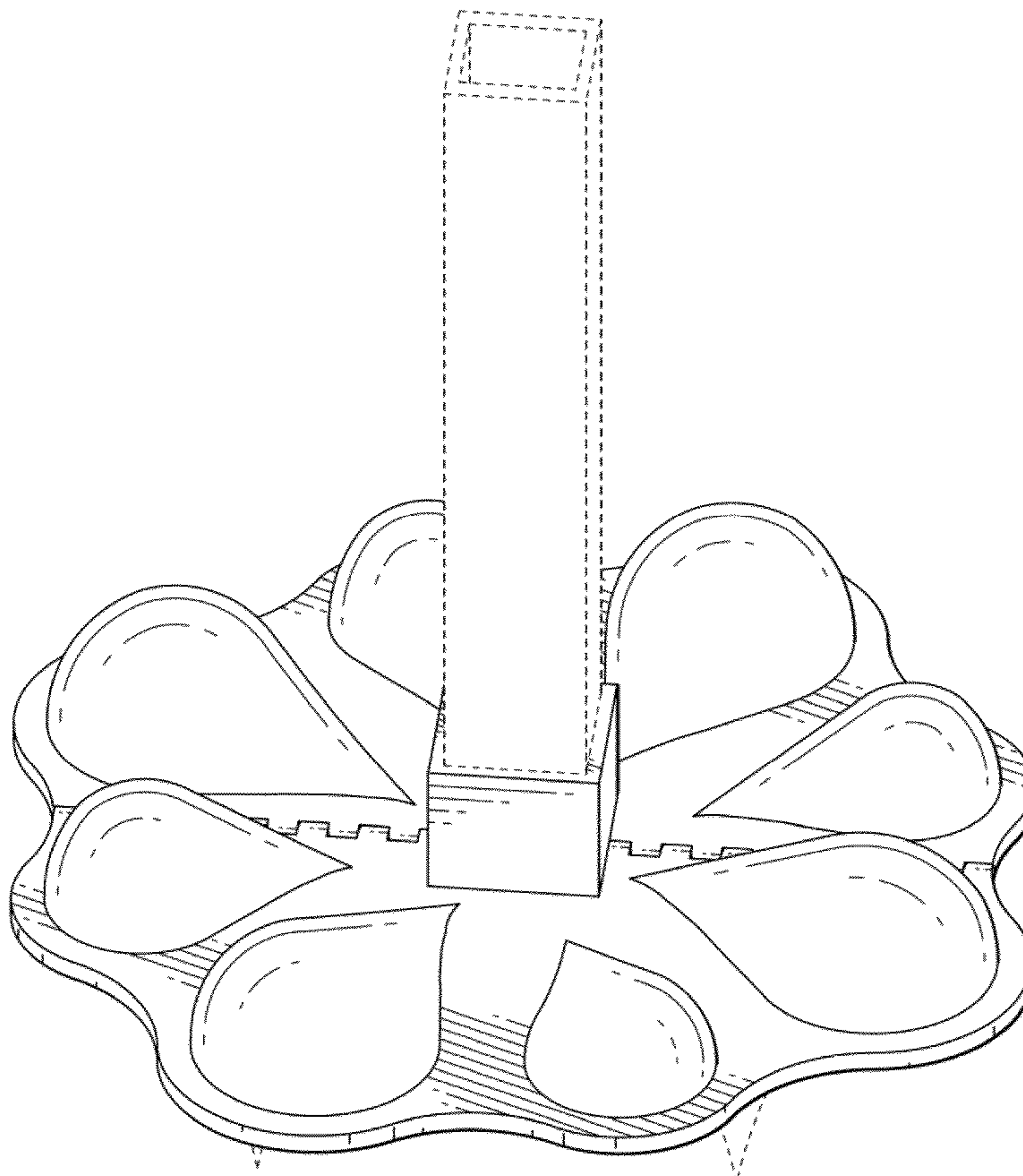
The broken line showing of structural features is included for the purpose of illustrating non-claimed subject matter and forms no part of the claimed design.

(56) **References Cited**

**U.S. PATENT DOCUMENTS**

3,186,224 A \* 6/1965 Mair ..... 73/304 R

**1 Claim, 7 Drawing Sheets**



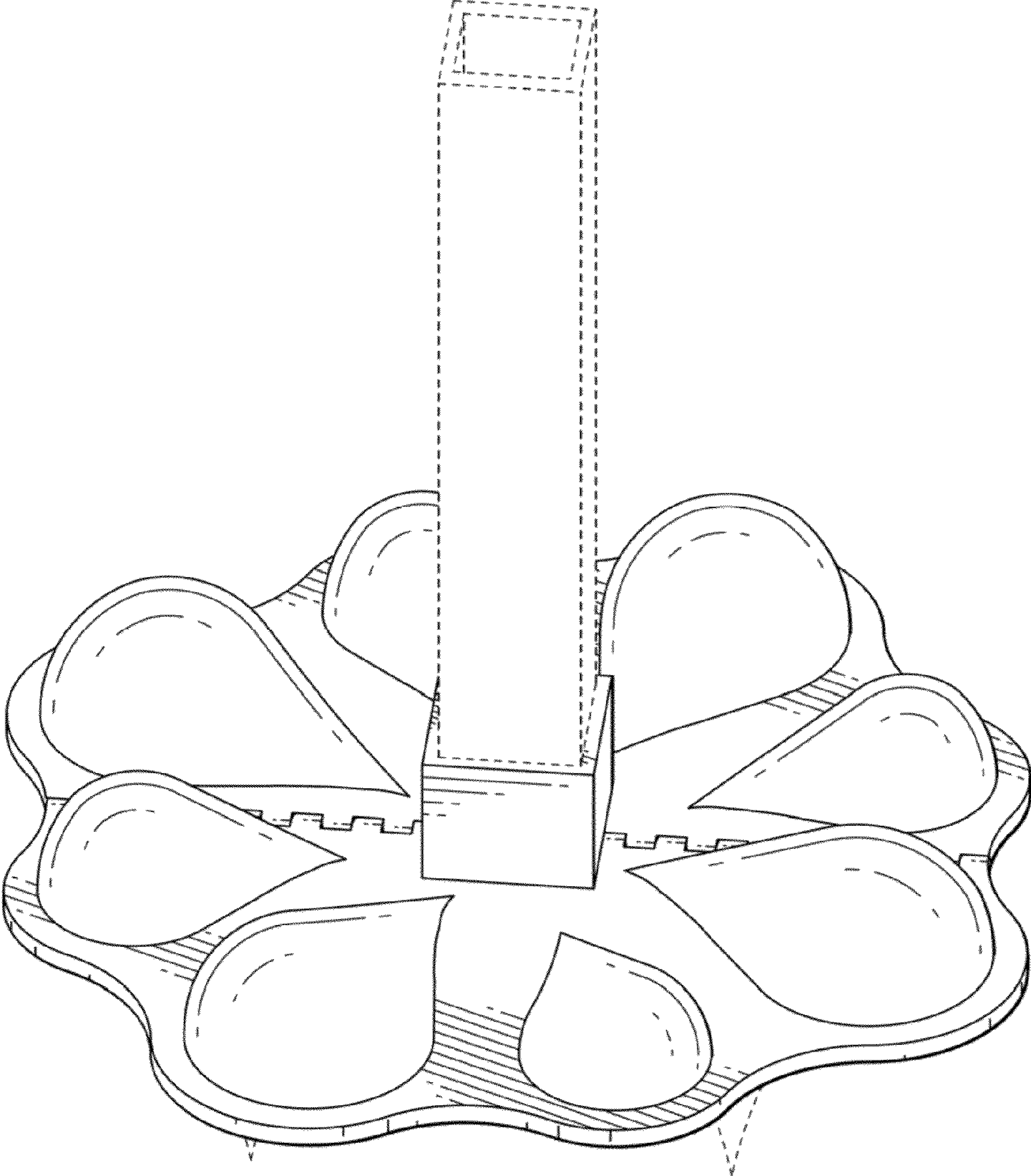


FIG. 1

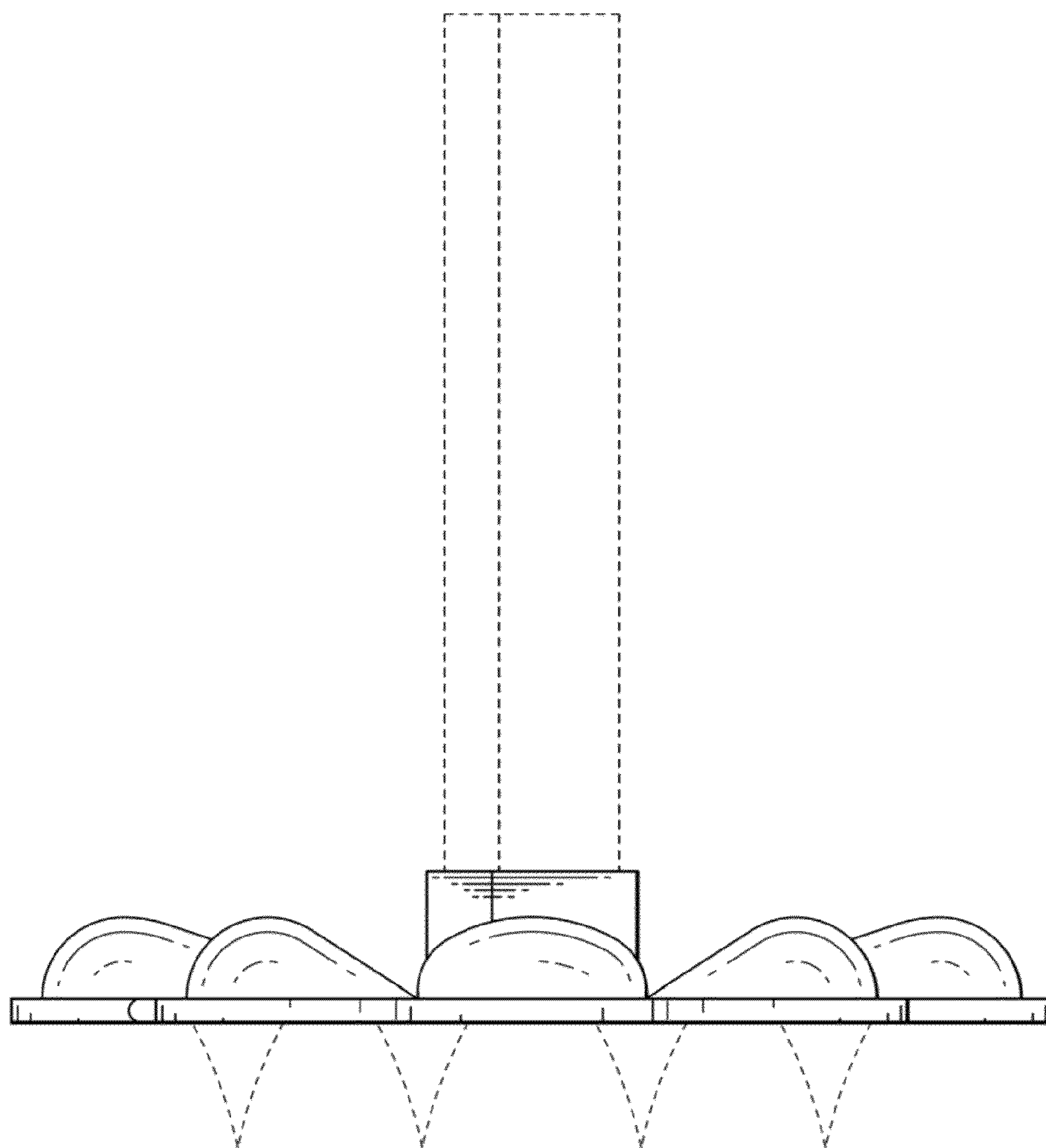


FIG. 2

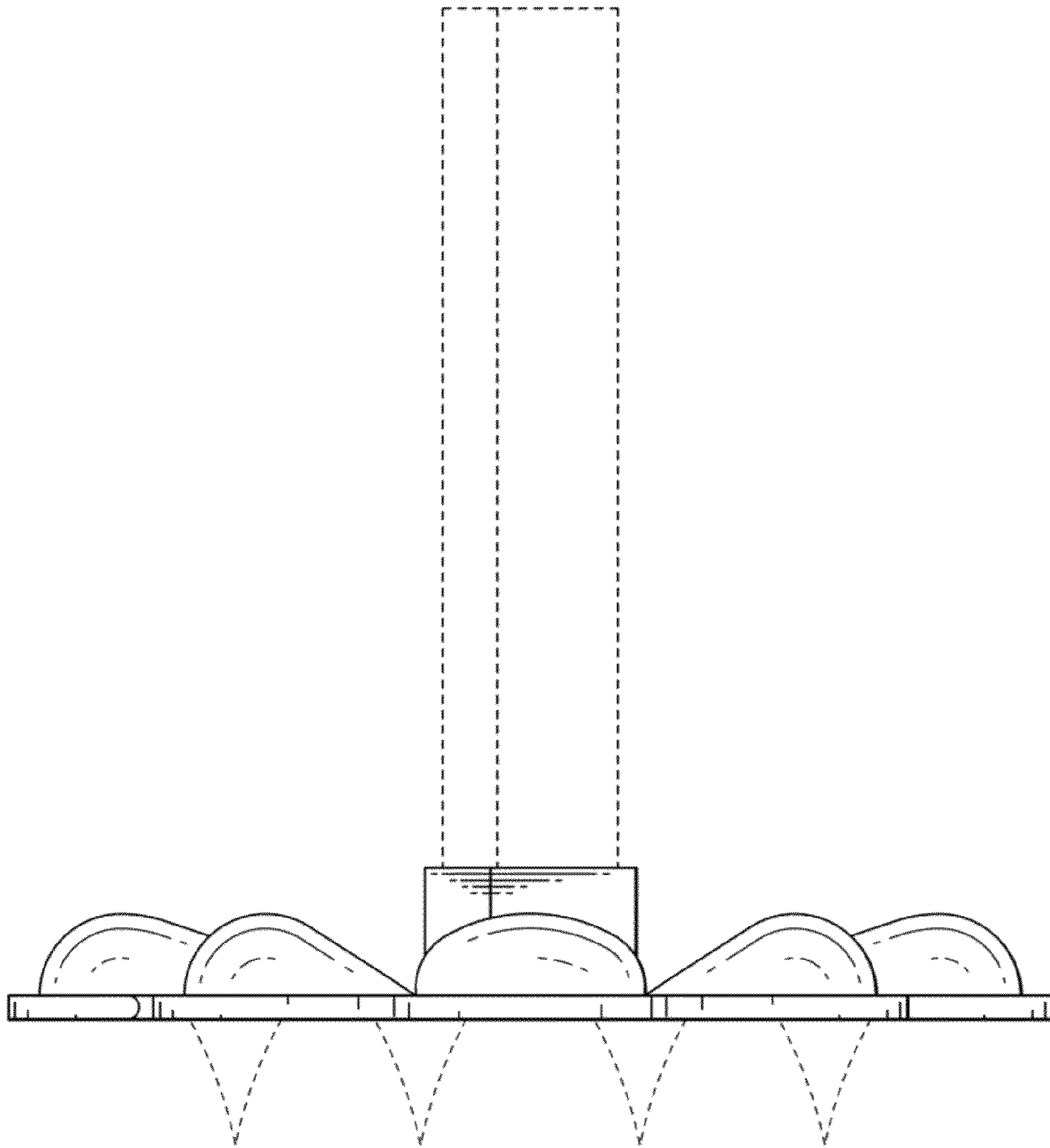


FIG. 3

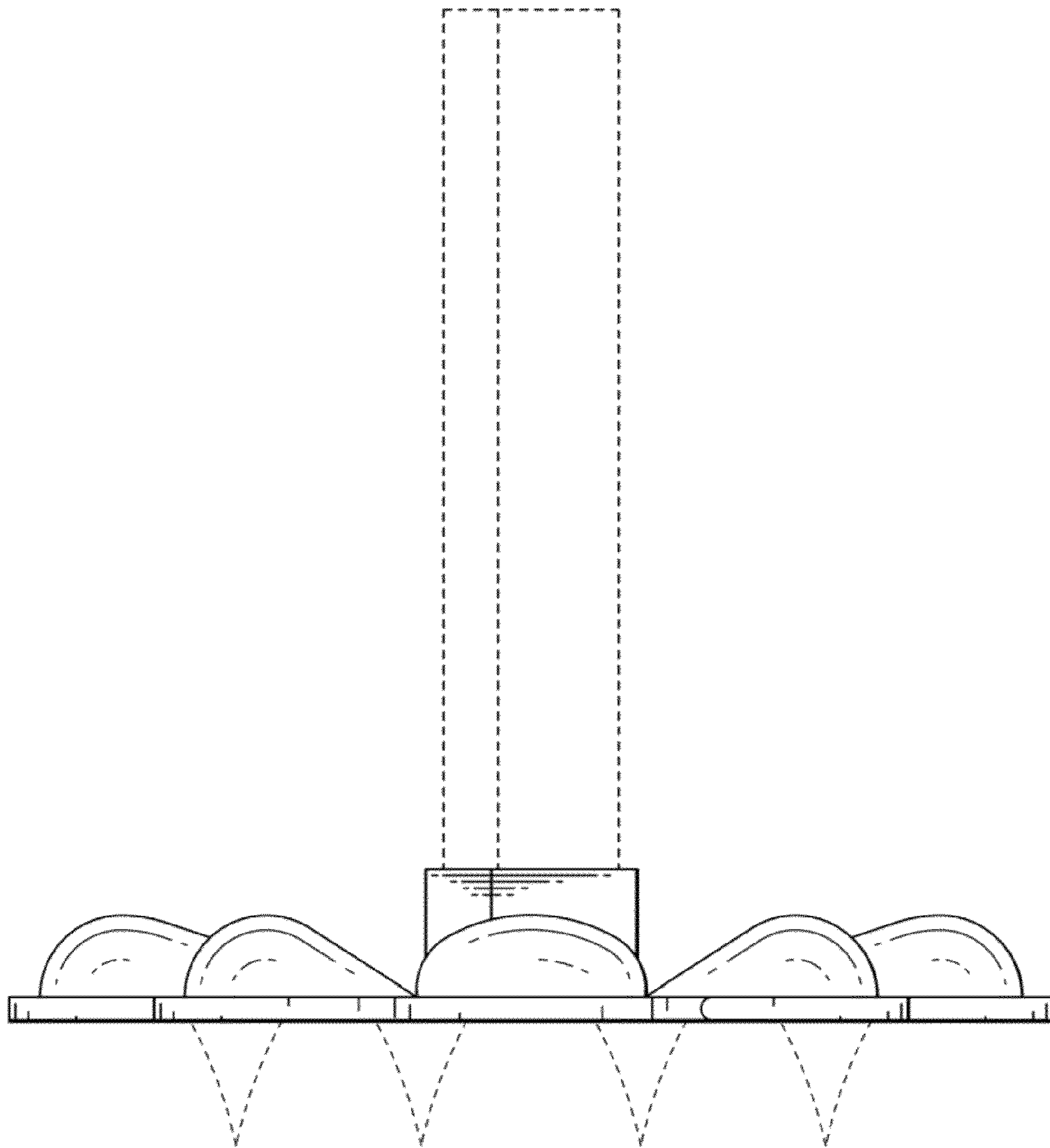


FIG. 4



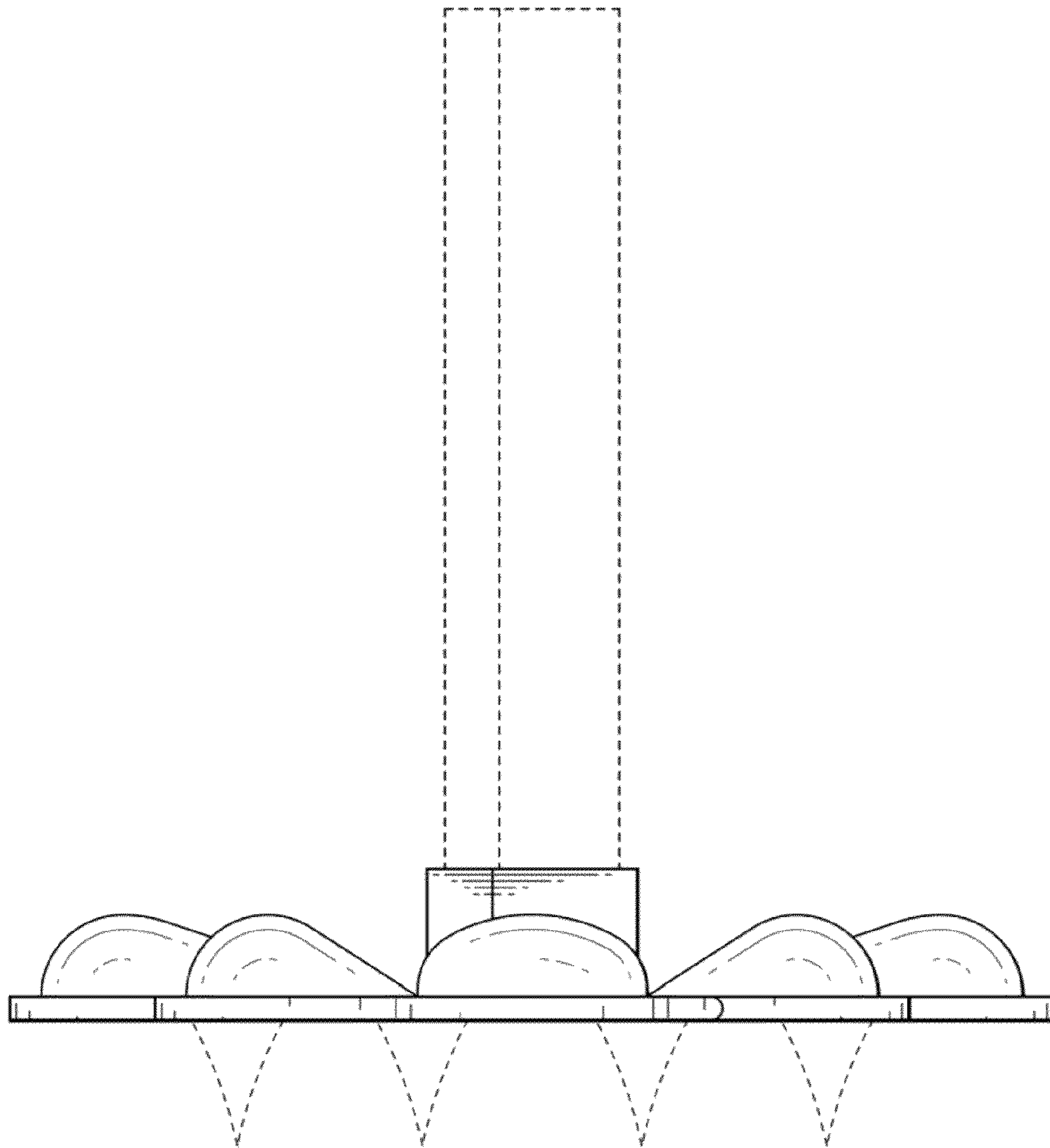


FIG. 5

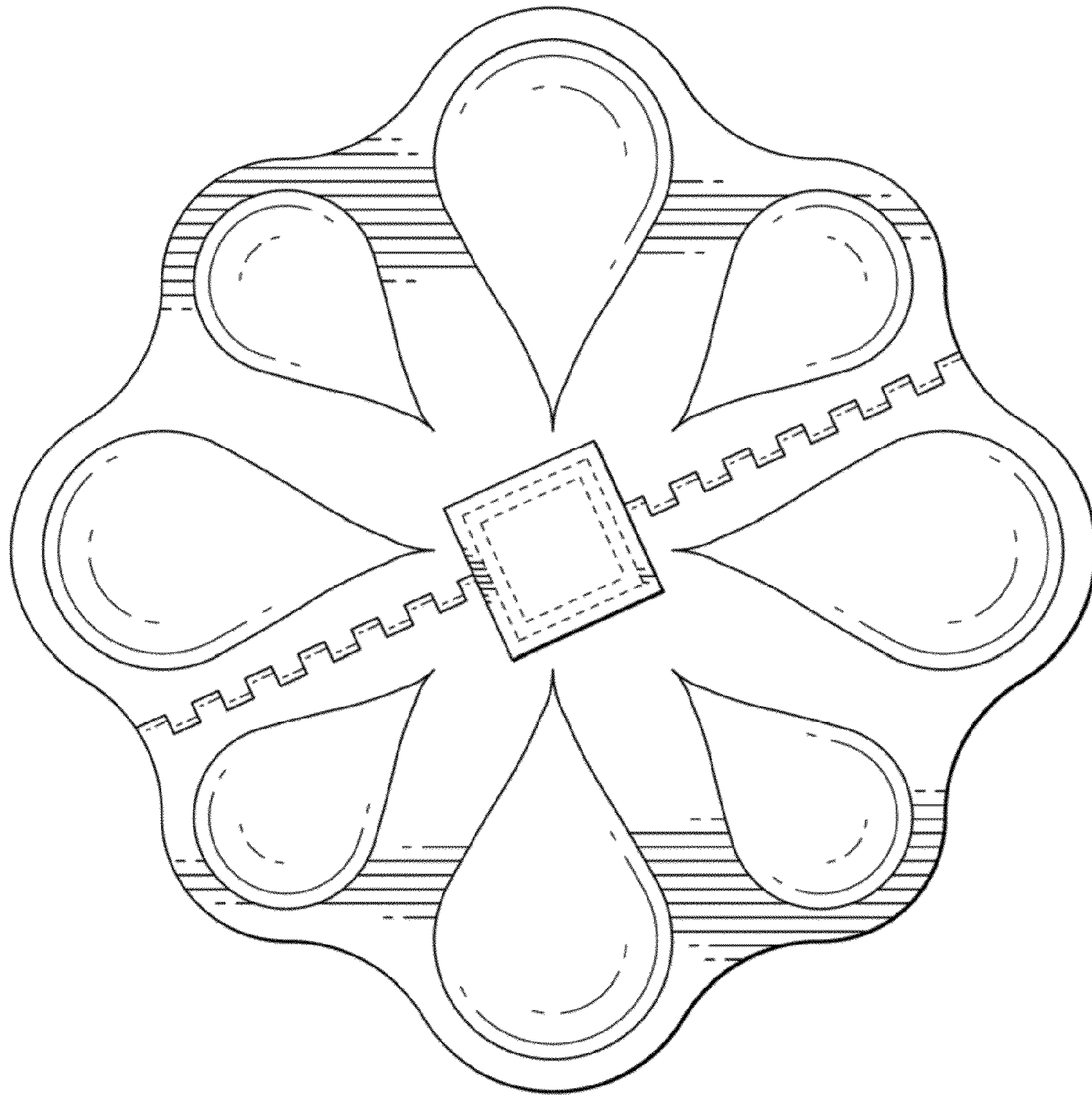


FIG. 6

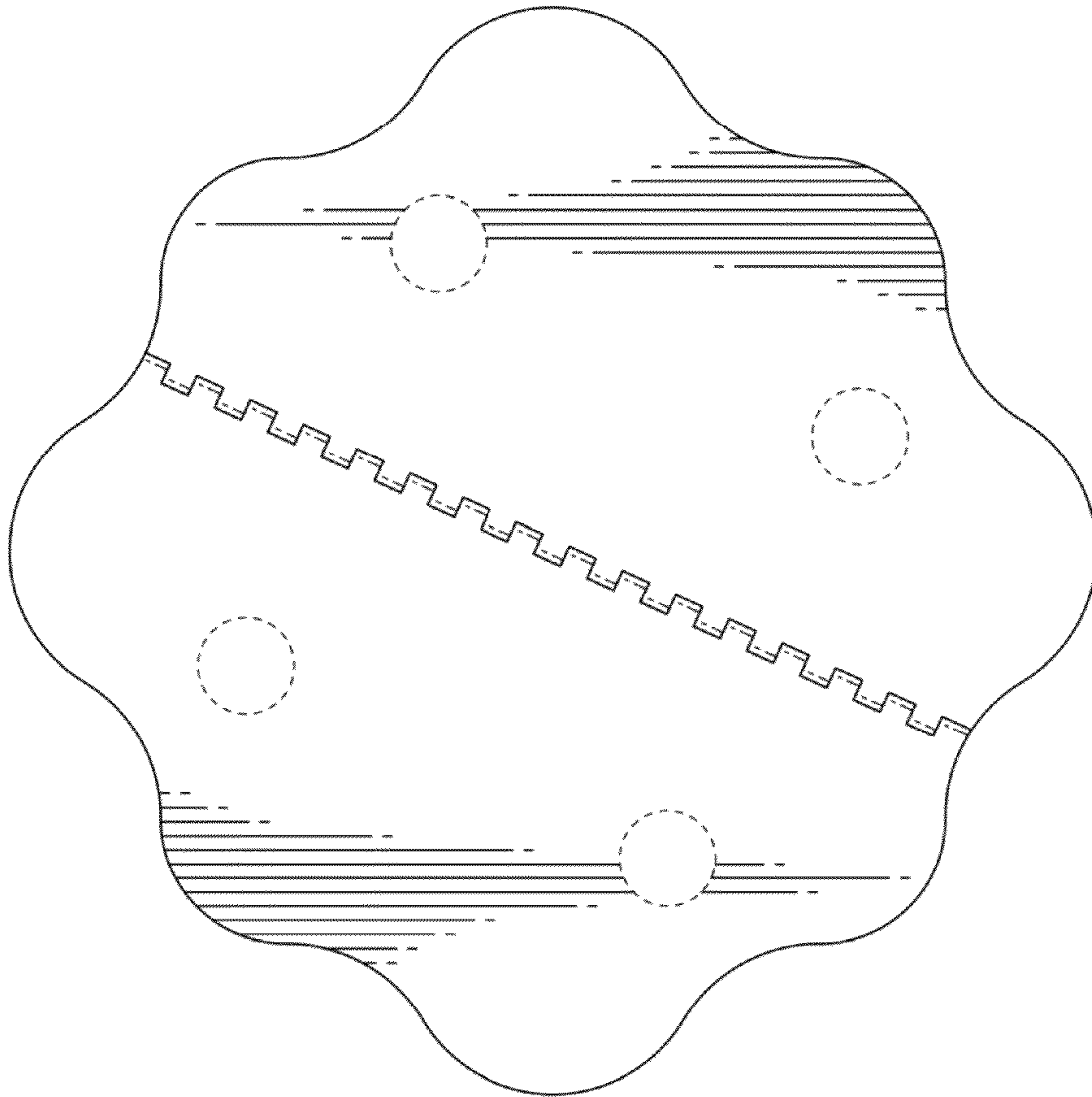


FIG. 7

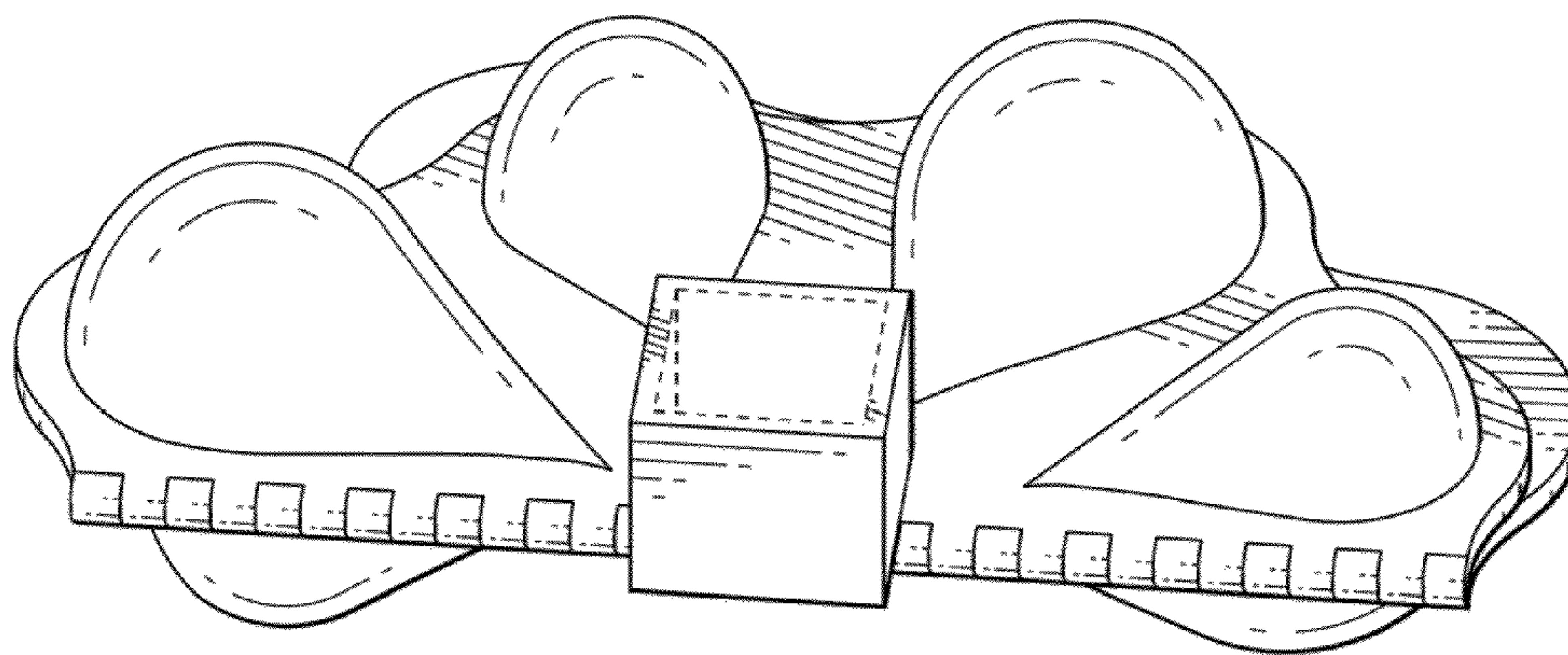


FIG. 8