



US00D749964S

(12) **United States Design Patent**  
**Glass et al.**

(10) **Patent No.:** **US D749,964 S**

(45) **Date of Patent:** **\*\* Feb. 23, 2016**

(54) **GIFT BAG FOR HOLDING COFFEE AND A STORED VALUE CARD**

(71) Applicant: **Gift Card Impressions, LLC**, Kansas City, MO (US)

(72) Inventors: **Brett R. Glass**, Kansas City, MO (US);  
**Nicole E. Glass**, Kansas City, MO (US)

(73) Assignee: **Gift Card Impressions, LLC**, Kansas City, MO (US)

(\*\*) Term: **14 Years**

(21) Appl. No.: **29/488,824**

(22) Filed: **Apr. 23, 2014**

(51) **LOC (10) Cl.** ..... **09-05**

(52) **U.S. Cl.**  
USPC ..... **D9/703**

(58) **Field of Classification Search**  
USPC ..... D9/702-714, 720-722; 383/4, 6, 10, 383/29, 33, 38, 70-71, 77, 86, 98-99, 104, 383/127, 120; 222/92, 107; 229/923, 87.01, 229/87.19; D7/387; 40/124.06, 631; D3/300, 303, 318, 232; 206/457  
CPC .... B42D 15/00; B42D 15/022; B42D 15/027; B42D 15/042; B42D 15/045; A45C 9/00; B65D 85/60; B65D 85/00; B65D 5/4204; B65D 5/4208; B65D 5/4237

See application file for complete search history.

(56) **References Cited**

**U.S. PATENT DOCUMENTS**

D227,081 S *	6/1973	Alexander	.....	D9/415
D355,598 S *	2/1995	Aronhalt	.....	D9/415
6,070,719 A	6/2000	Pollock		
D490,301 S *	5/2004	Townsend	.....	D9/704
6,749,064 B1 *	6/2004	Alrey	.....	B65D 33/04 206/457

D538,676 S *	3/2007	Millen	.....	D9/415
7,222,446 B2 *	5/2007	Foster	.....	G09F 1/04 40/124.06
D567,646 S *	4/2008	Ballard	.....	D9/415
D673,056 S *	12/2012	Gallas	.....	D9/703
D692,774 S *	11/2013	Cheng	.....	D9/704

(Continued)

*Primary Examiner* — Caron D Veynar

*Assistant Examiner* — Abraham Bahta

(74) *Attorney, Agent, or Firm* — Polsinelli PC

(57) **CLAIM**

The ornamental design for a gift bag for holding coffee and a stored value card, as shown and described.

**DESCRIPTION**

FIG. 1 is a perspective view of a gift bag for holding coffee and a stored value card according to an embodiment of the invention shown in an open disposition;

FIG. 2 is a front elevation view of the gift bag of FIG. 1;

FIG. 3 is a rear elevation view of the gift bag of FIG. 1;

FIG. 4 is a right elevation view of the gift bag of FIG. 1;

FIG. 5 is a left elevation view of the gift bag of FIG. 1;

FIG. 6 is a top plan view of the gift bag of FIG. 1; and,

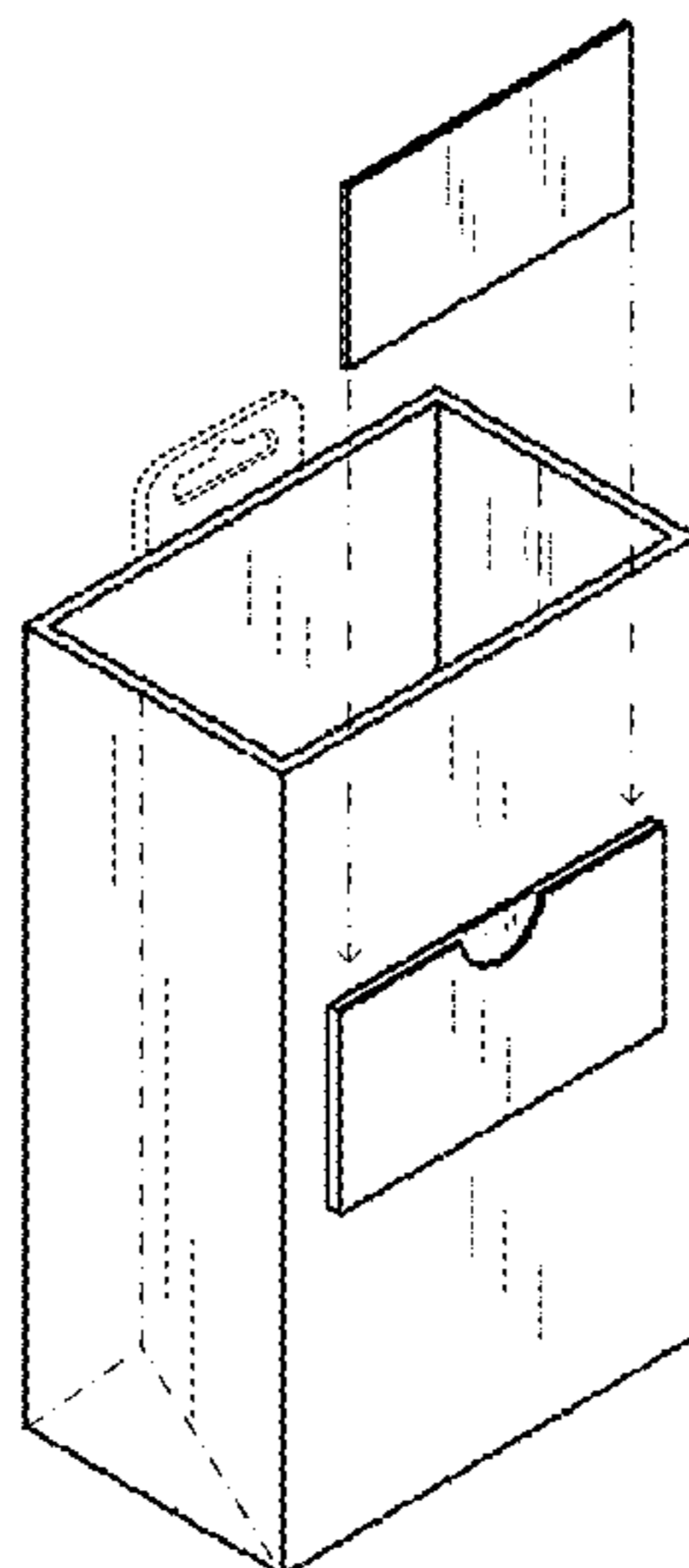
FIG. 7 is a bottom plan view of the gift bag of FIG. 1.

The broken dashed lines (- -) showing in FIGS. 1-7 are included for the purpose of illustrating portions of the gift bag for holding coffee and a stored value card that form no part of the claimed design.

The broken dash-dot-dash lines (- · -) showing in FIGS. 1, 4, and 5 are included for the purpose of illustrating fold lines in portions of the gift bag for holding coffee and a stored value card.

The broken dash-dot-dot lines and arrows (- · ·) showing in FIG. 1 are included for the purpose of illustrating direction to insert the stored value card into a portion of the gift bag for holding coffee and a stored value card.

**1 Claim, 2 Drawing Sheets**



# US D749,964 S

Page 2

---

(56)

## References Cited

U.S. PATENT DOCUMENTS

2006/0062494	A1	3/2006	Aptekar
2006/0196787	A1	9/2006	Lewis
2013/0283654	A1	10/2013	Rubin

D736,098 S \* 8/2015 Burger ..... D9/703 \* cited by examiner

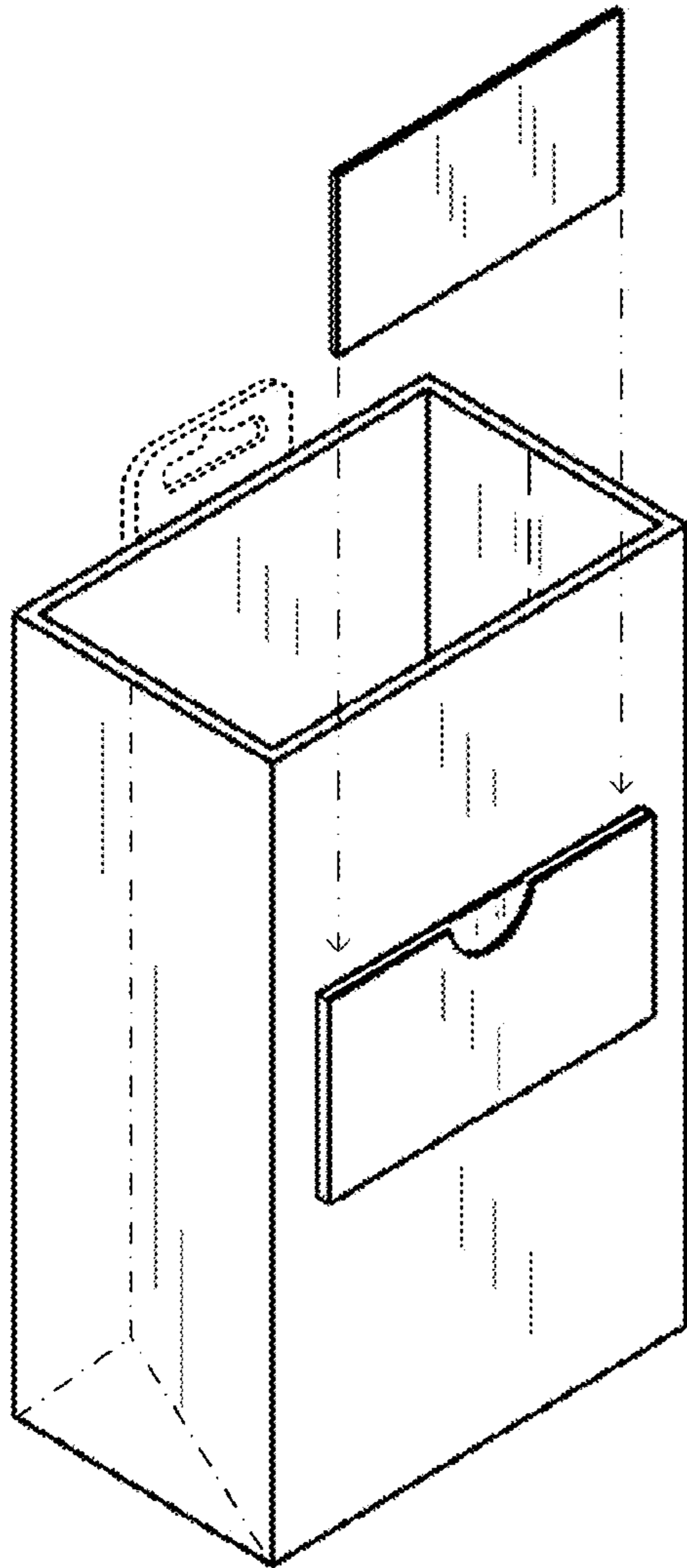


FIG. 1

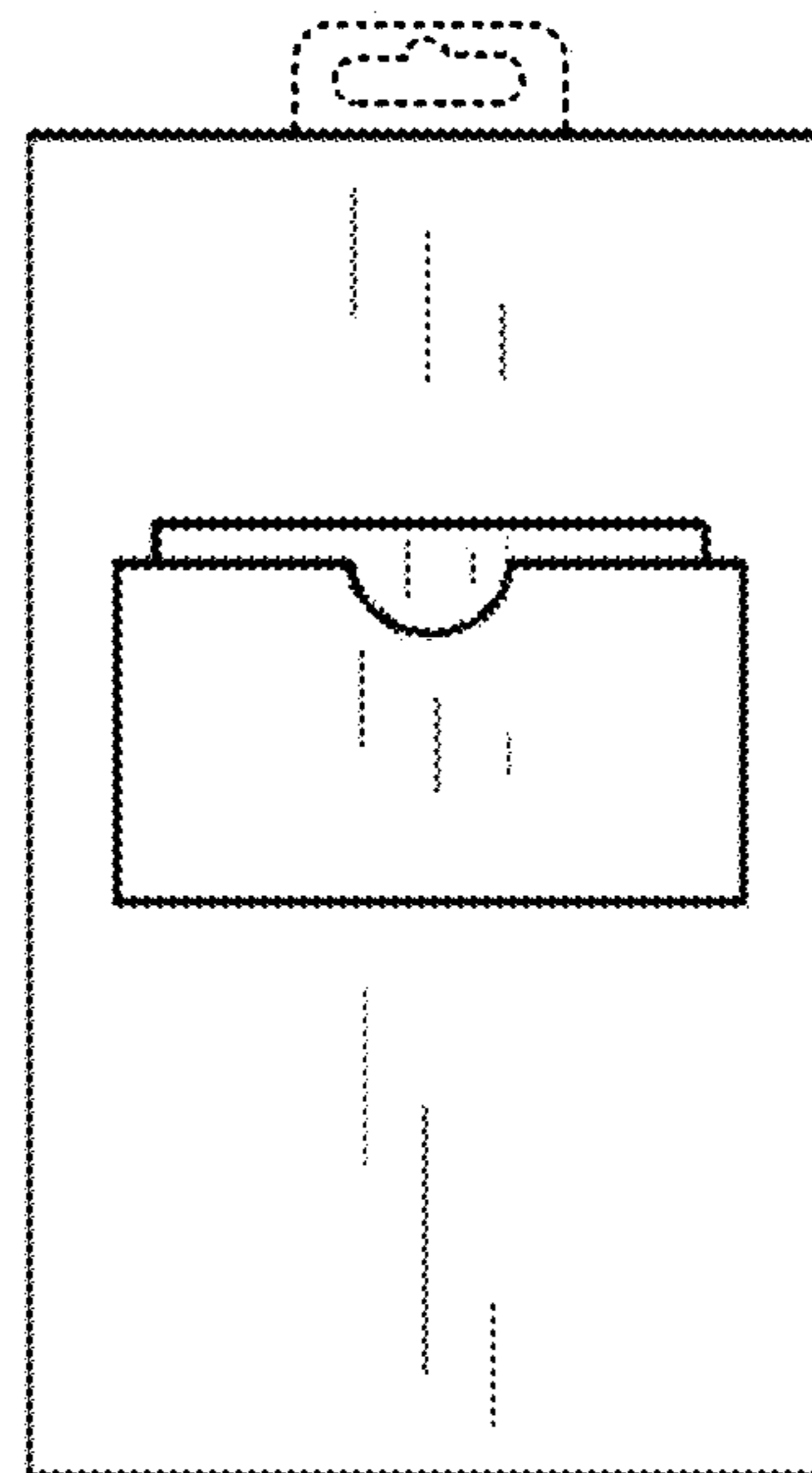


FIG. 2

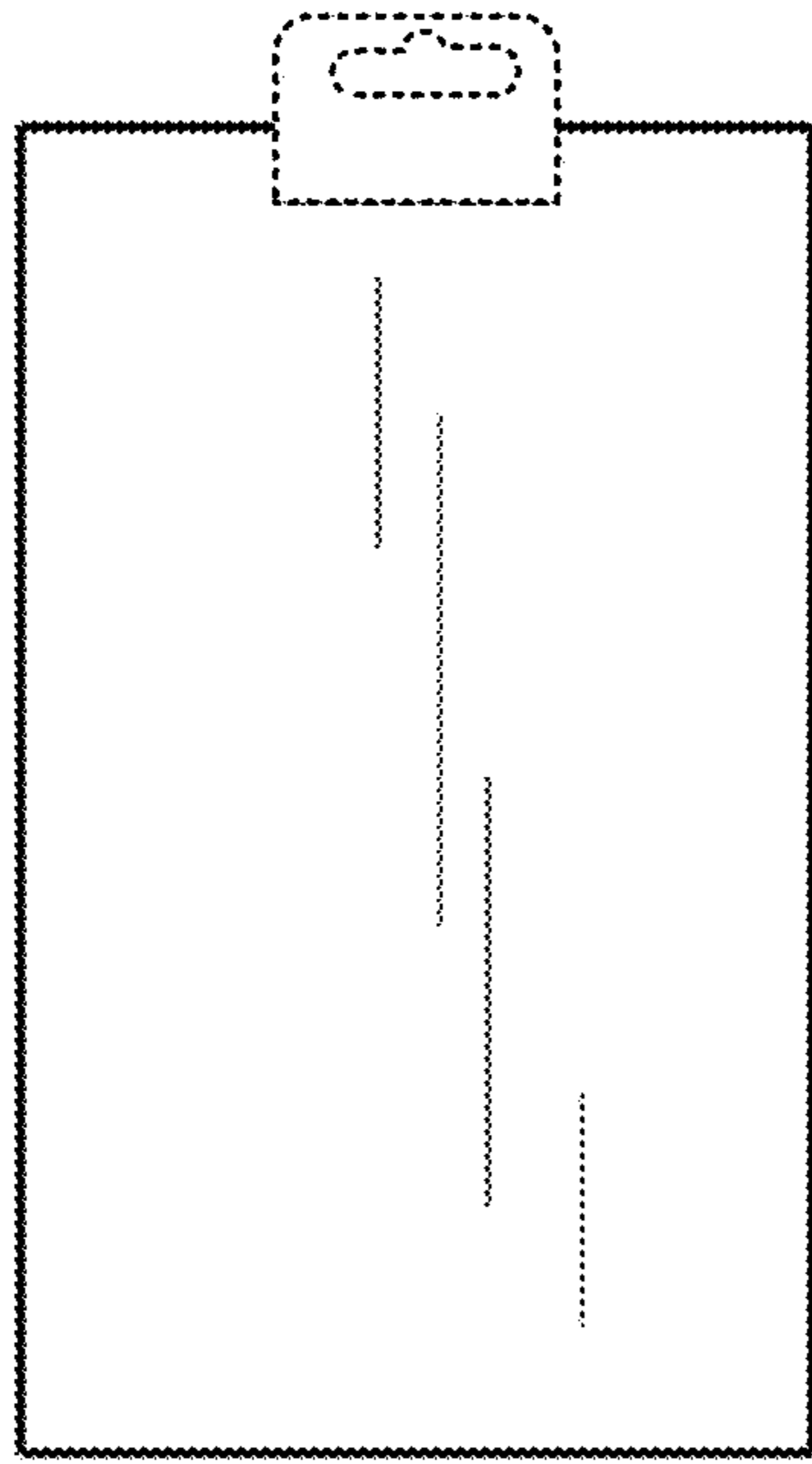


FIG. 3

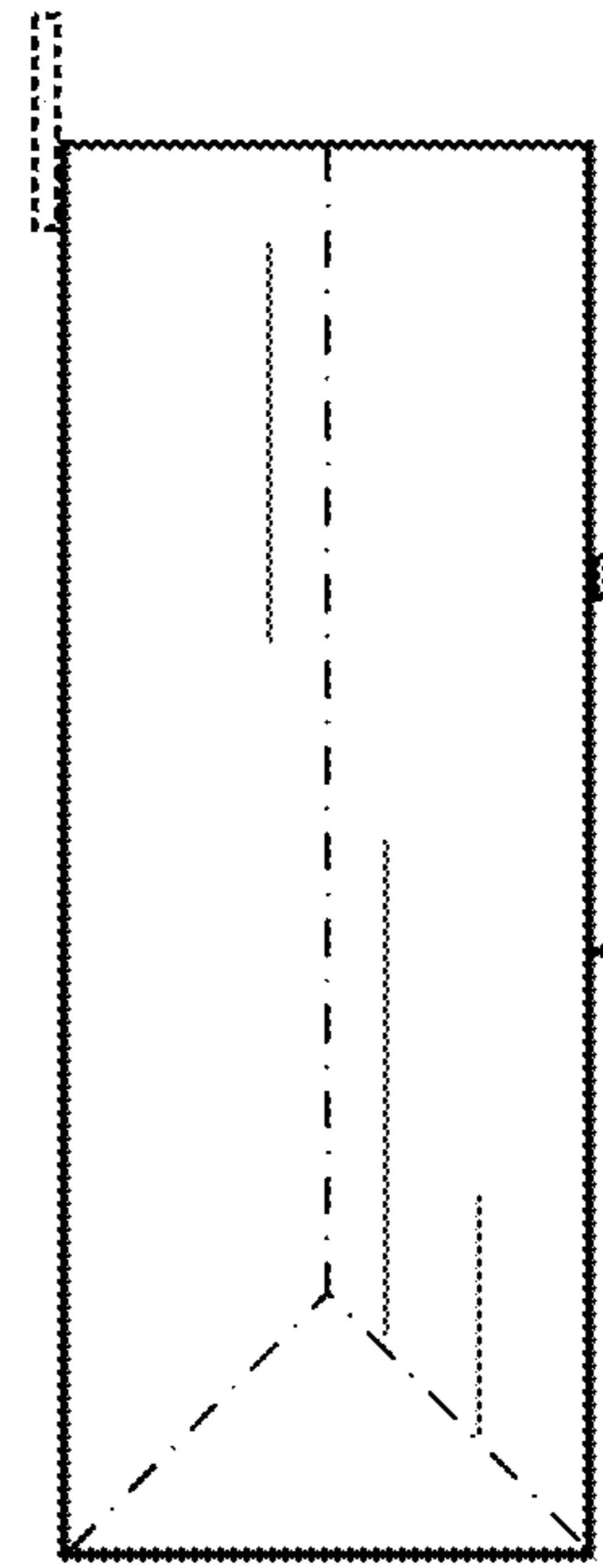


FIG. 4

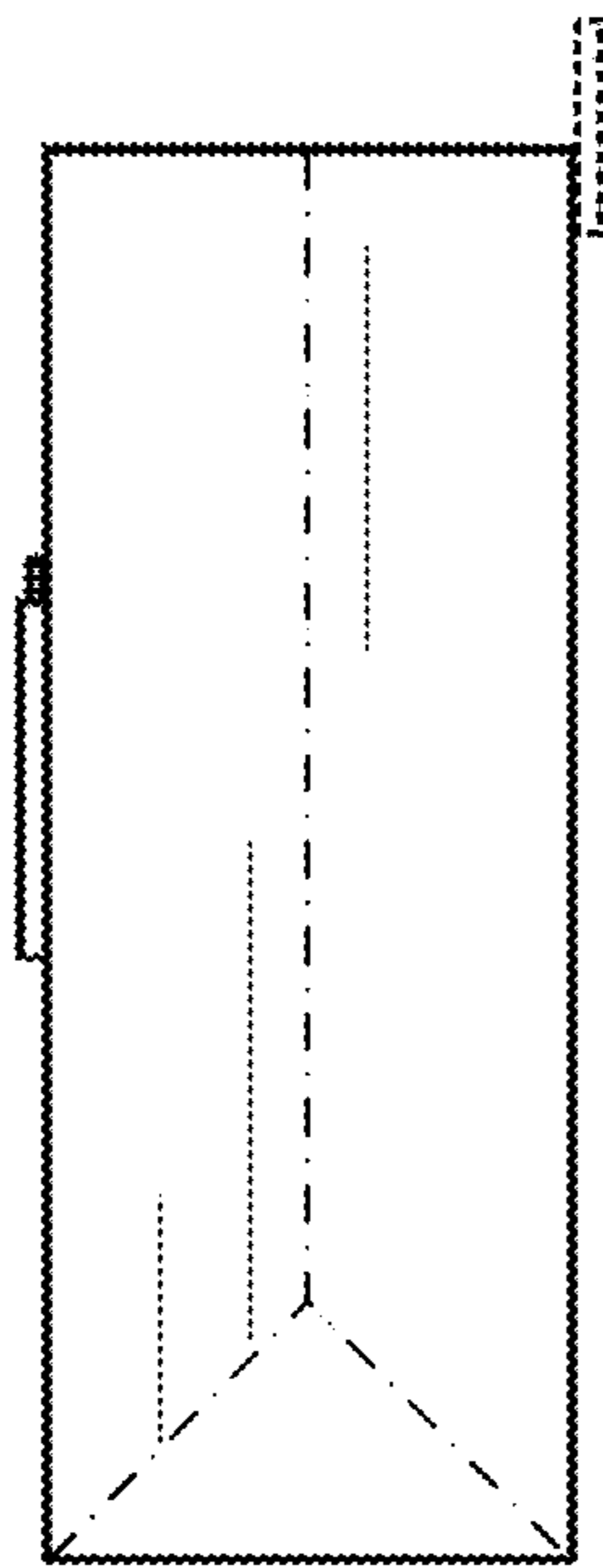


FIG. 5

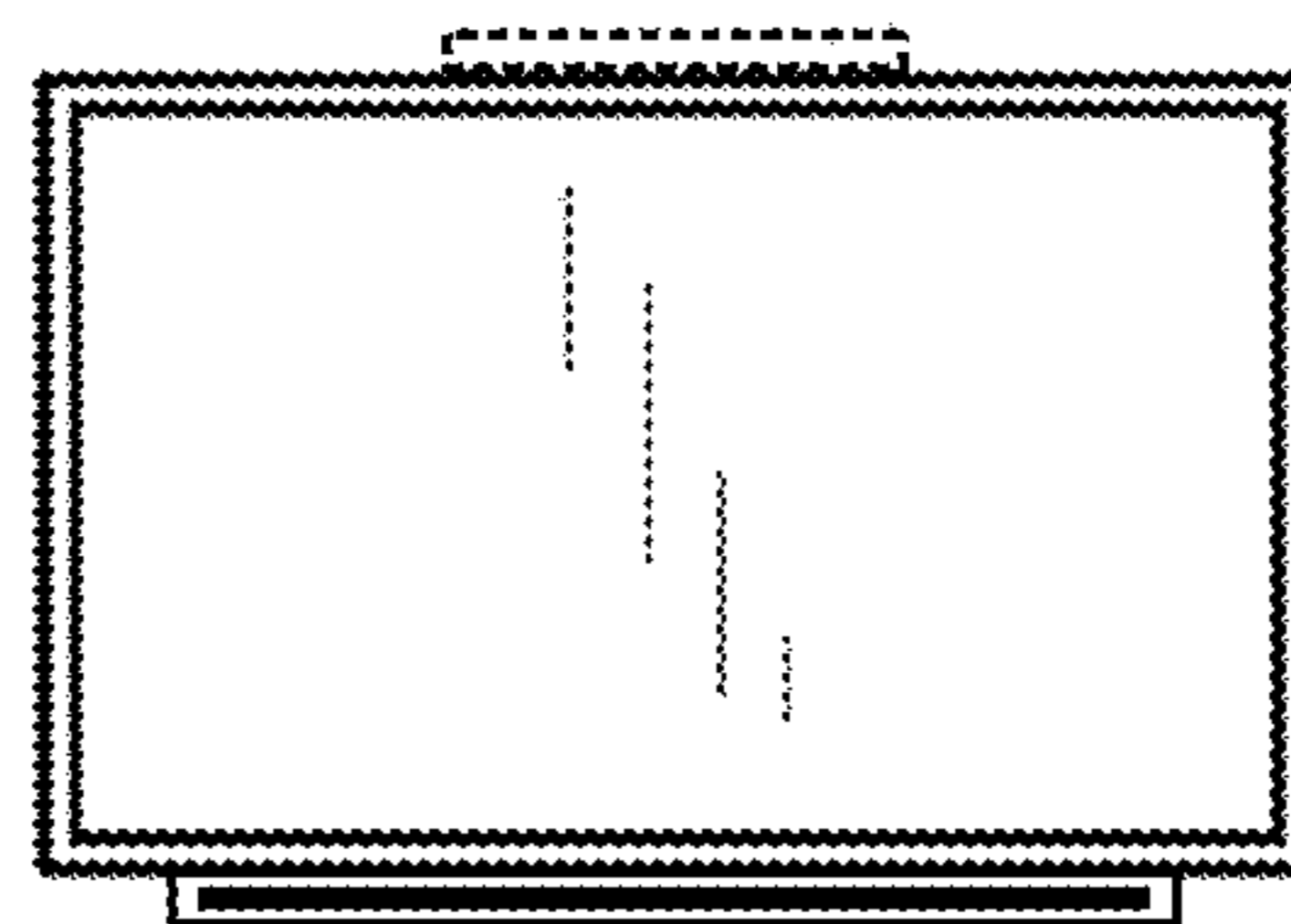


FIG. 6

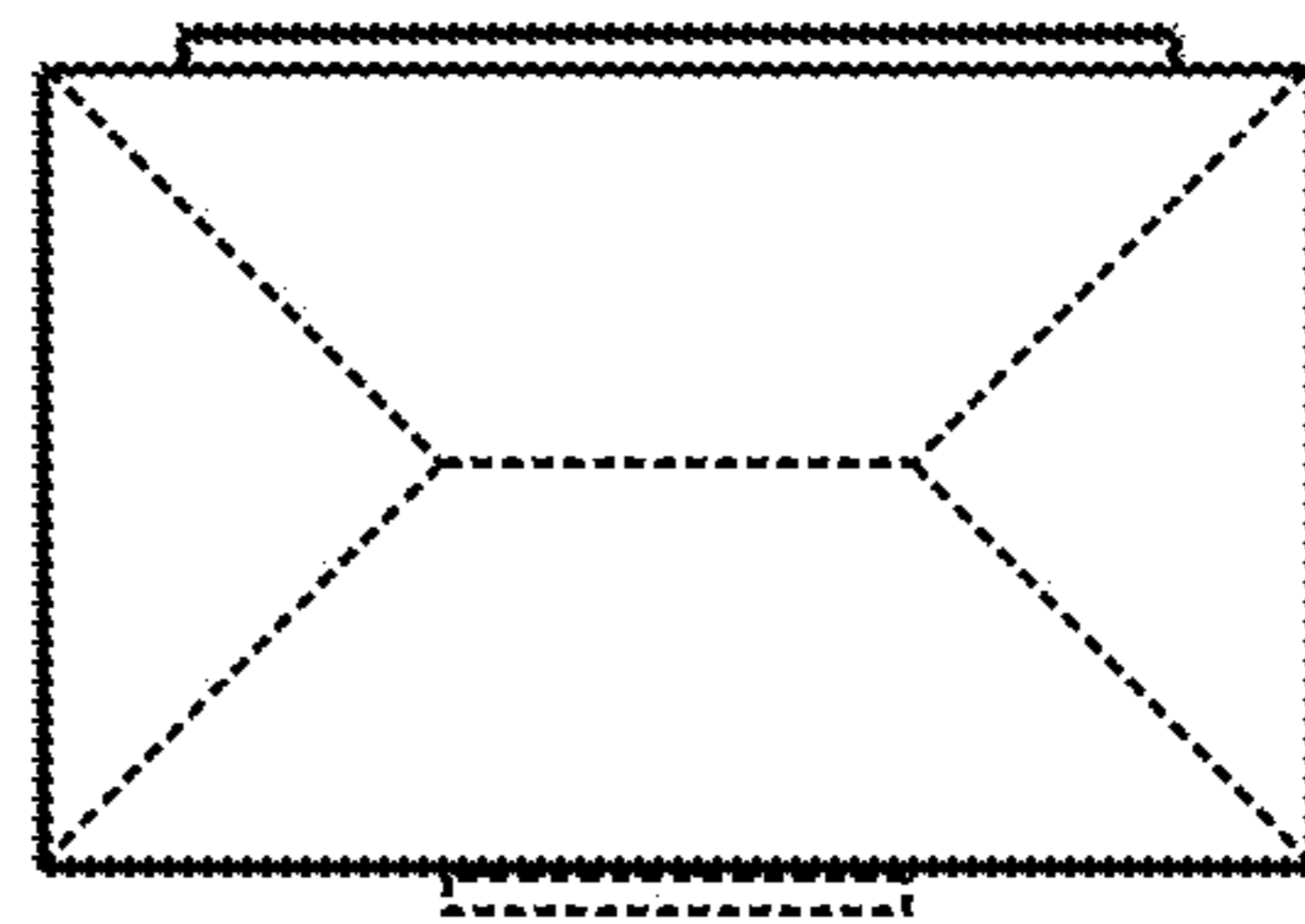


FIG. 7