



(12) **United States Design Patent**  
**Oaknin**

(10) **Patent No.:** **US D749,963 S**  
(45) **Date of Patent:** **\*\* Feb. 23, 2016**

- (54) **CLOVER SHAPED CONTAINER**
- (71) Applicant: **I LOVE SUGAR, INC.**, Myrtle Beach, SC (US)
- (72) Inventor: **David M. Oaknin**, Myrtle Beach, SC (US)
- (\*\*) Term: **14 Years**
- (21) Appl. No.: **29/494,239**
- (22) Filed: **Jun. 18, 2014**
- (51) **LOC (10) Cl.** ..... **09-01**
- (52) **U.S. Cl.**  
USPC ..... **D9/658**; D9/420
- (58) **Field of Classification Search**  
USPC ..... D3/270, 271.1-271.4; D7/514-520,  
D7/599, 604, 613, 619.2, 623, 628;  
D9/600, 667, 655, 658, 414-434;  
206/457, 459.5, 527; 215/387-388,  
215/381-384, 400; 229/116.2  
CPC .... B65D 5/4258; B65D 81/60; B65D 81/365;  
B65D 81/366; B65D 81/368; B65D 2203/00;  
B65D 2300/02  
See application file for complete search history.

(56) **References Cited**

**U.S. PATENT DOCUMENTS**

D73,940 S	*	11/1927	Noonan	.....	D9/658
D82,568 S	*	11/1930	Lesser	.....	D9/658
D428,574 S	*	7/2000	Harkness	.....	D9/430
D433,329 S	*	11/2000	Hampshire	.....	D9/430
D478,277 S	*	8/2003	Yoon	.....	D9/658
D514,436 S	*	2/2006	McGuinness	.....	D9/658
D569,722 S	*	5/2008	Stamper et al.	.....	D9/425

\* cited by examiner

*Primary Examiner* — Sandra Morris  
(74) *Attorney, Agent, or Firm* — Tarter Krinsky & Drogin LLP

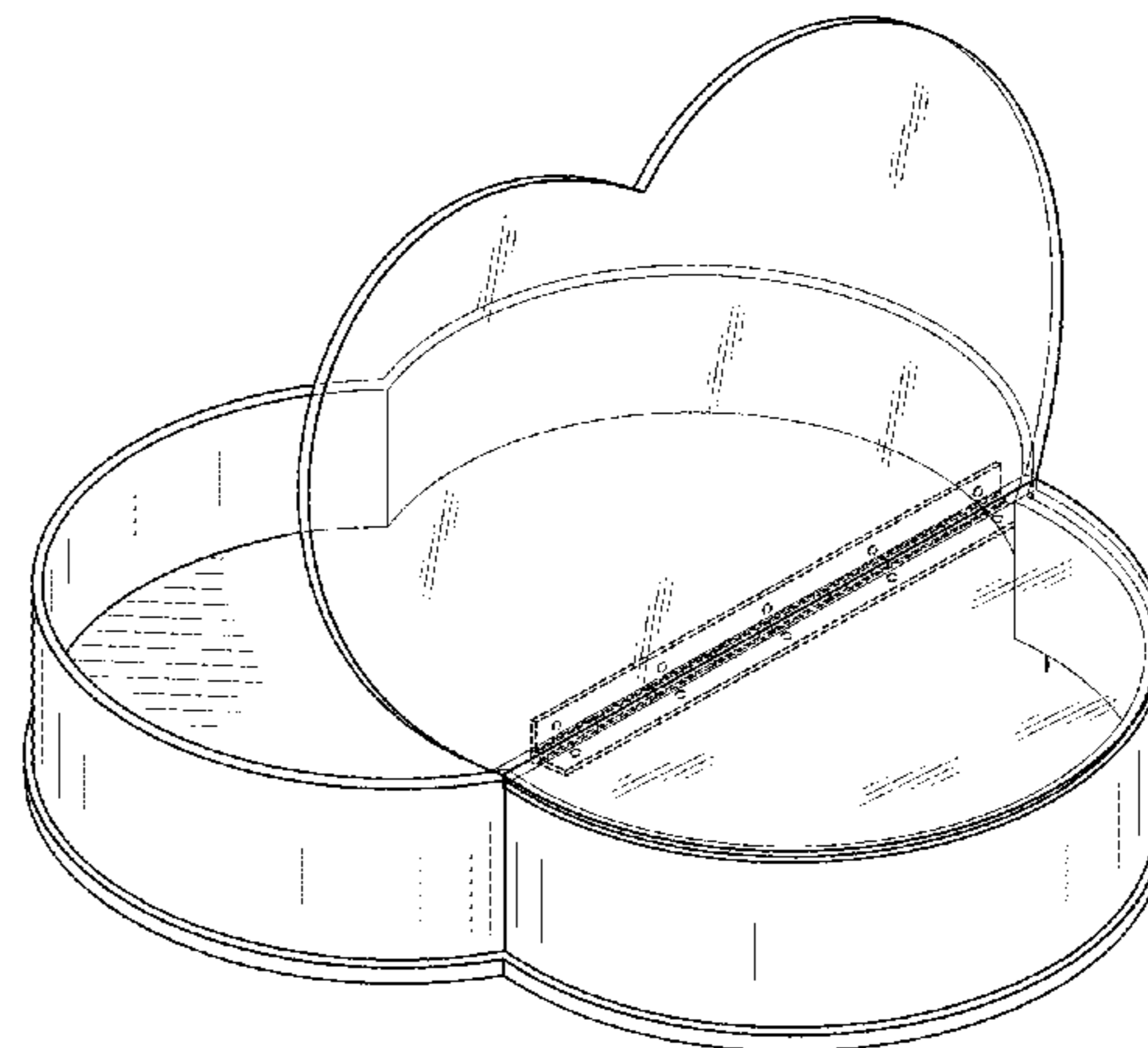
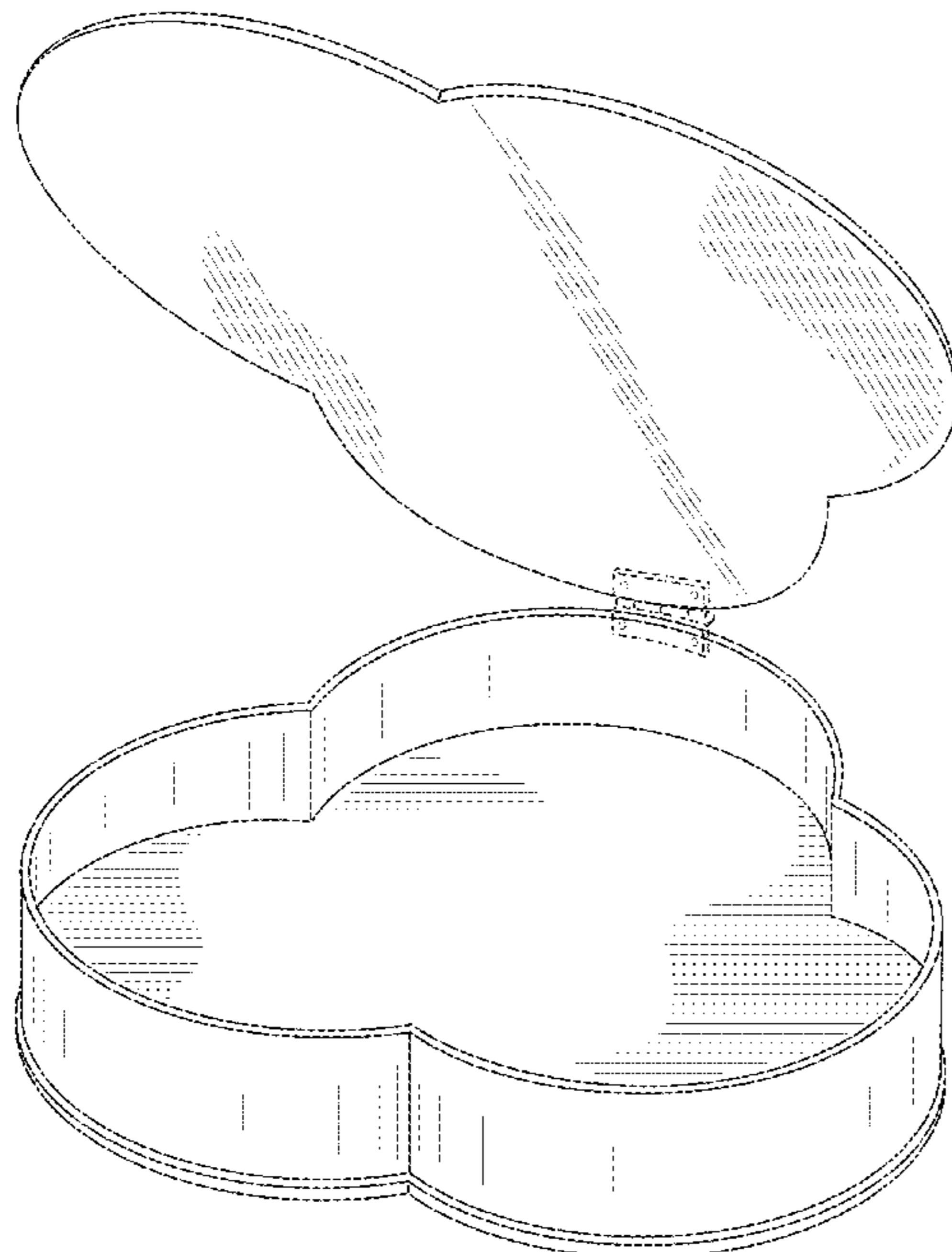
(57) **CLAIM**

The ornamental design for a clover shaped container, substantially as shown and described.

**DESCRIPTION**

FIG. 1 is a front perspective view of a first embodiment of the clover shaped container, in a semi opened position;  
 FIG. 2 is a front perspective view of a second embodiment thereof;  
 FIG. 3 is a front perspective view of a third embodiment thereof;  
 FIG. 4 is a front perspective view of a fourth embodiment thereof;  
 FIG. 5 is a front perspective view of a fifth embodiment thereof;  
 FIG. 6 is a front perspective view of a sixth embodiment thereof;  
 FIG. 7 is a front perspective view of a seventh embodiment thereof;  
 FIG. 8 is a side perspective view of the fifth embodiment thereof;  
 FIG. 9 is a side perspective view of the sixth embodiment thereof; and,  
 FIG. 10 is a side perspective view of the seventh embodiment thereof.  
 The broken lines shown in the drawing are for illustrative purposes only and form no part of the claimed design.

**1 Claim, 10 Drawing Sheets**



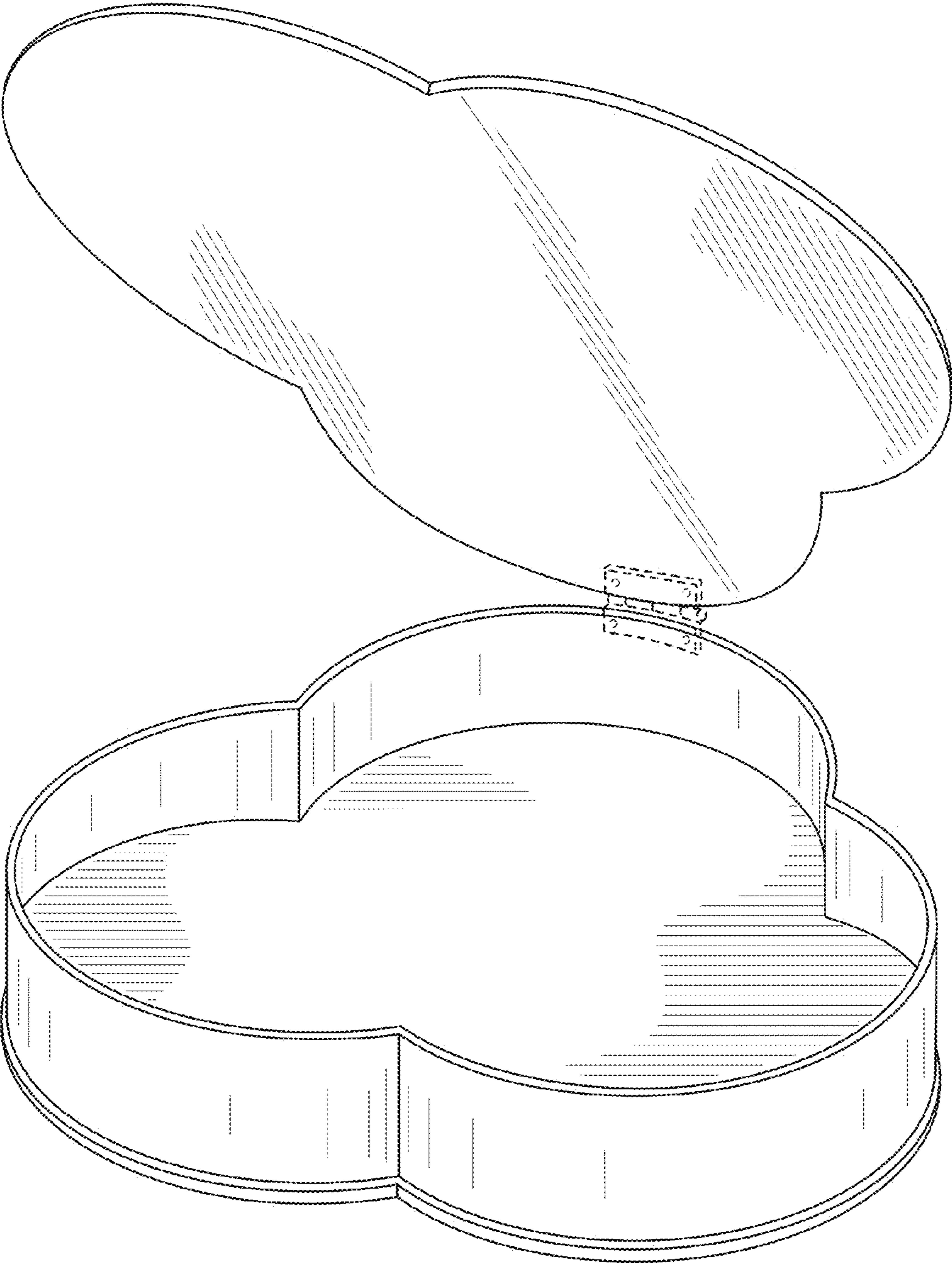


FIG. 1

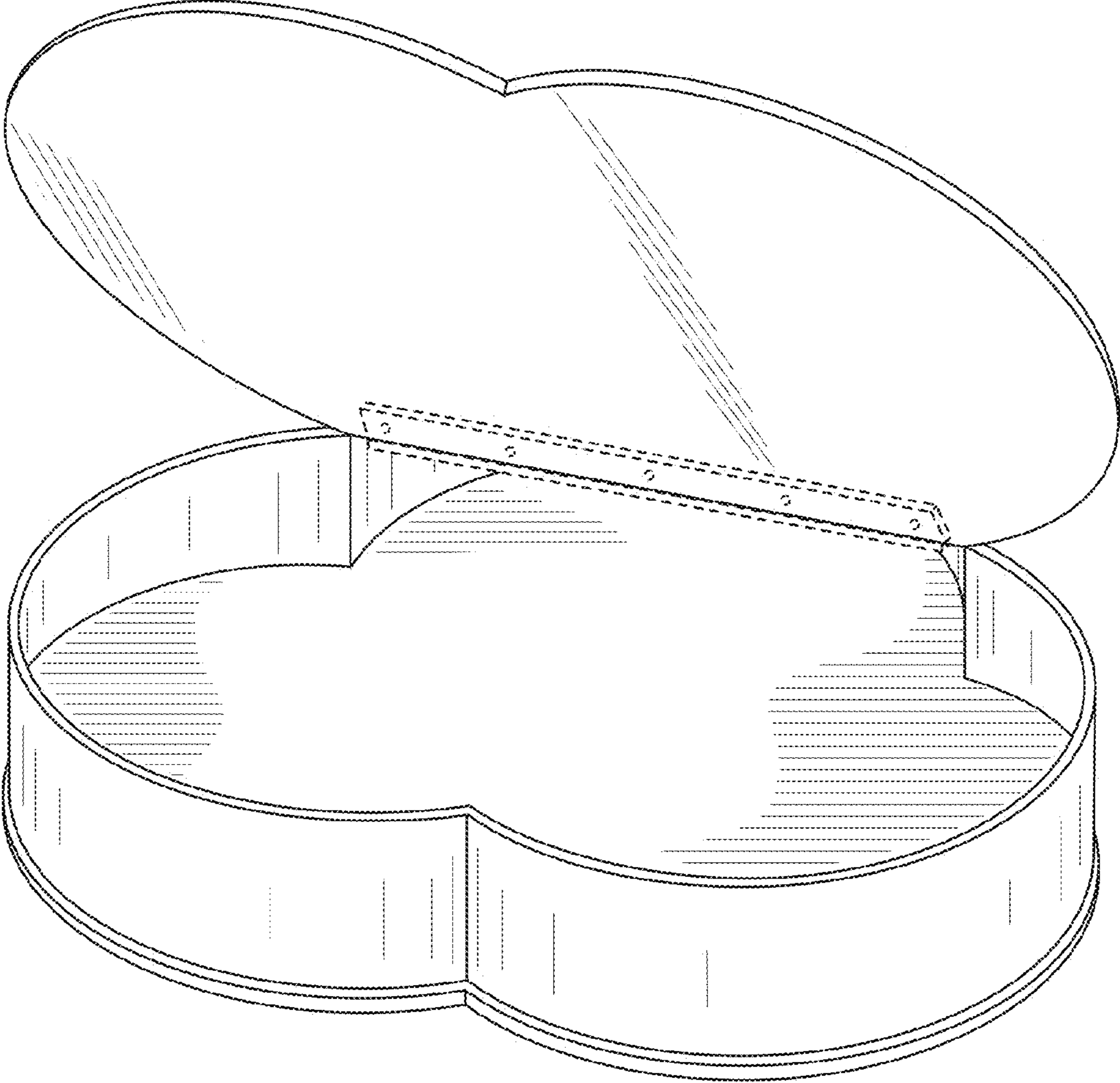


FIG. 2

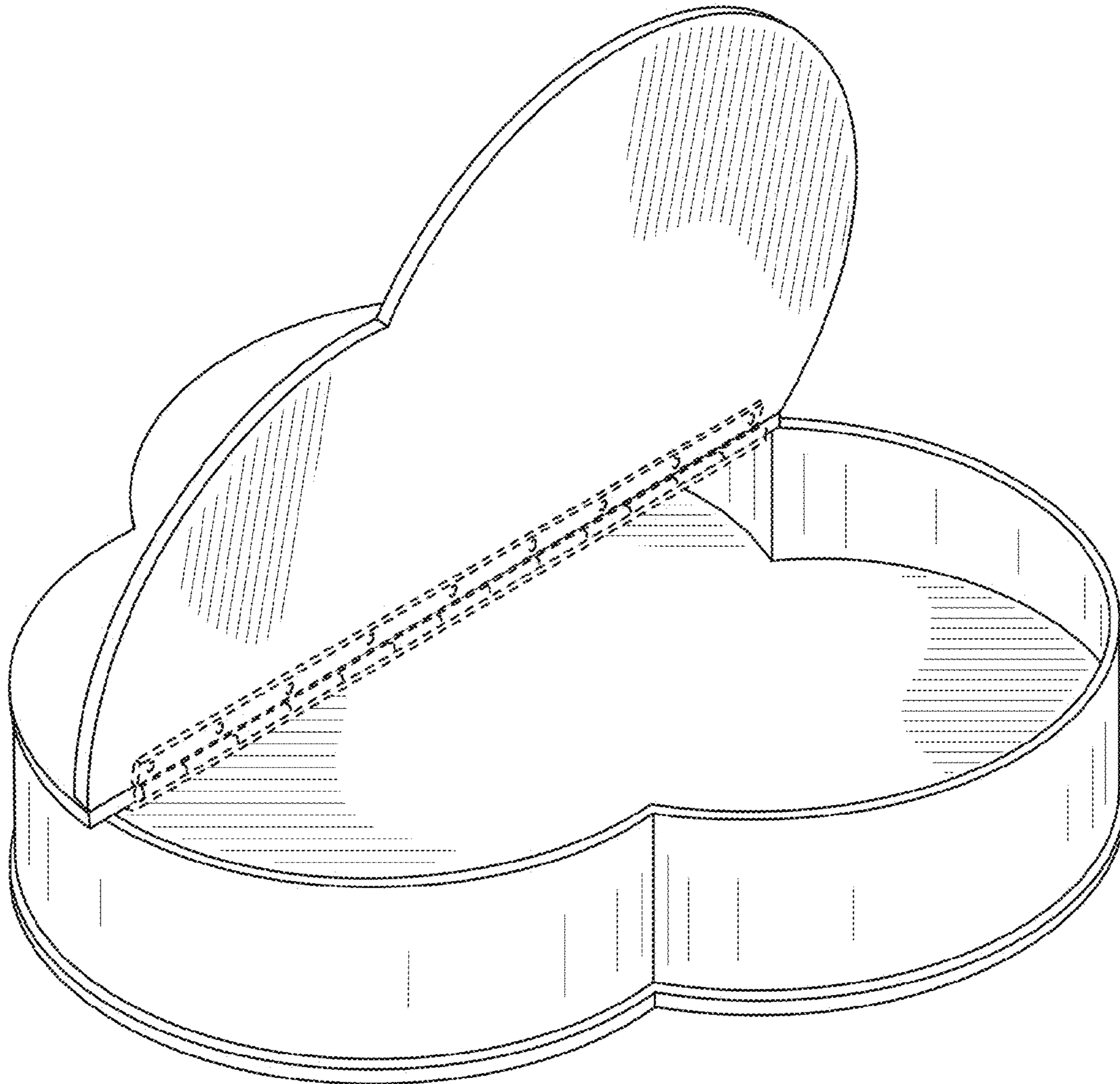


FIG. 3

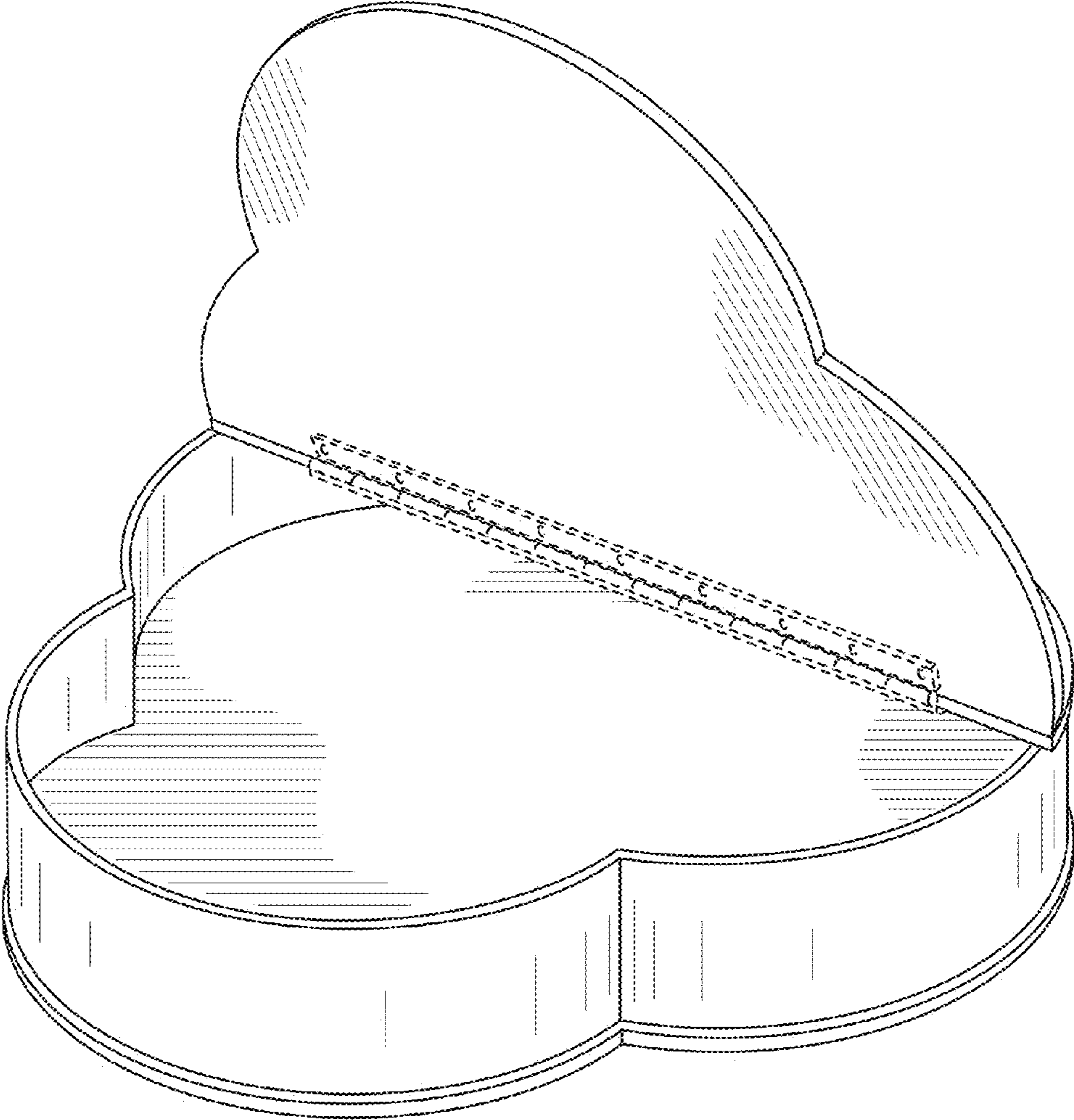


FIG. 4

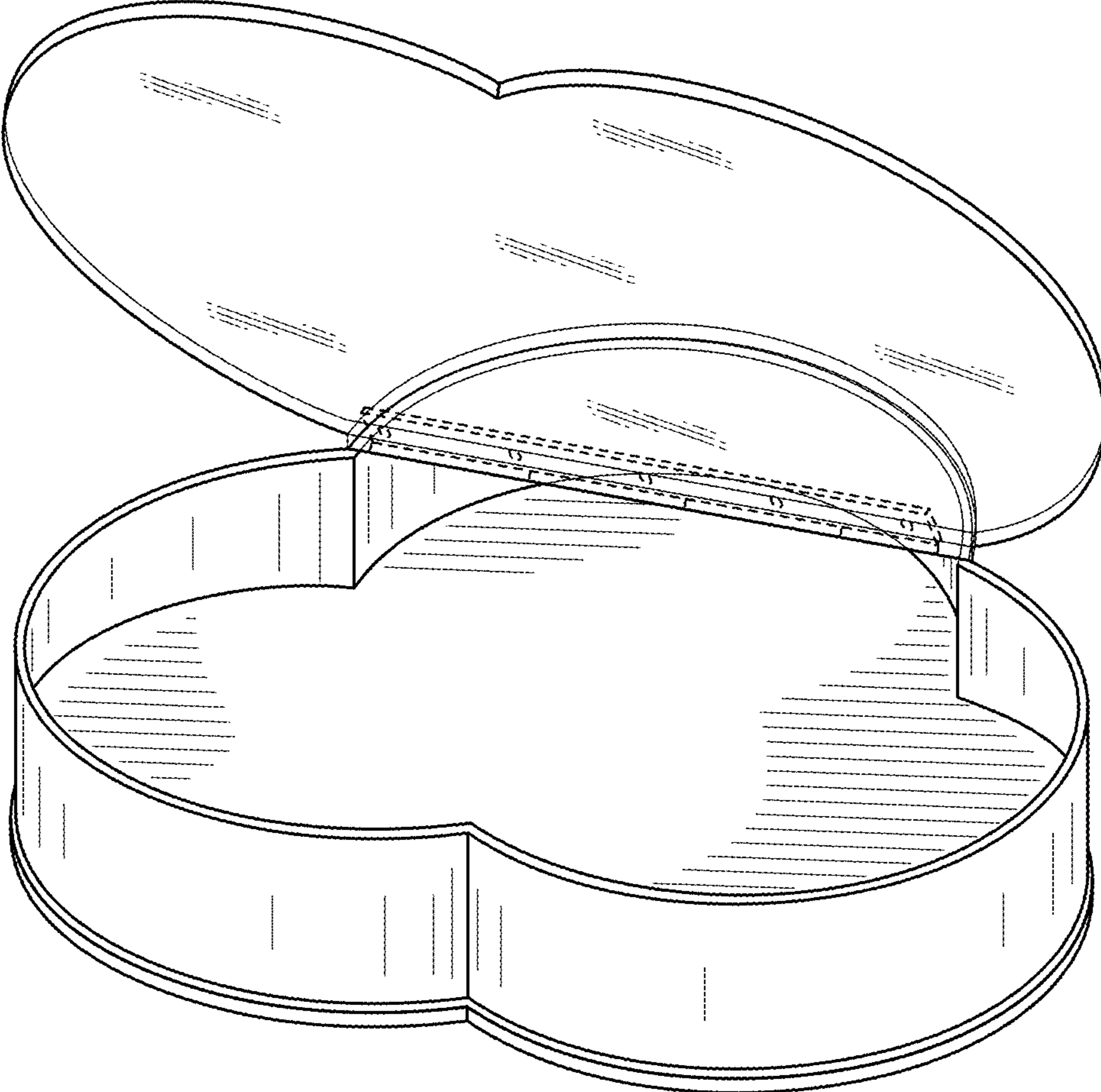


FIG. 5

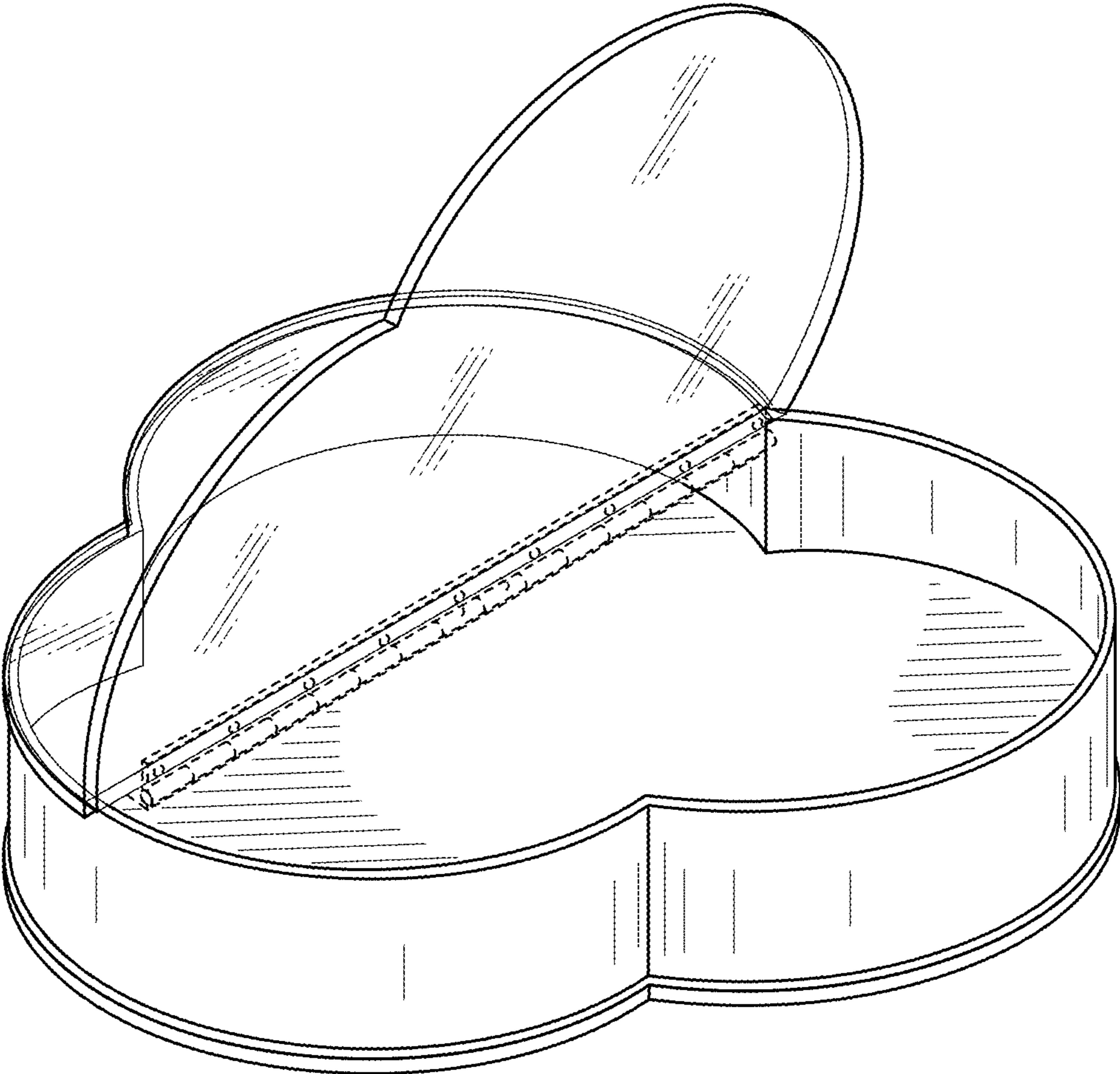


FIG. 6

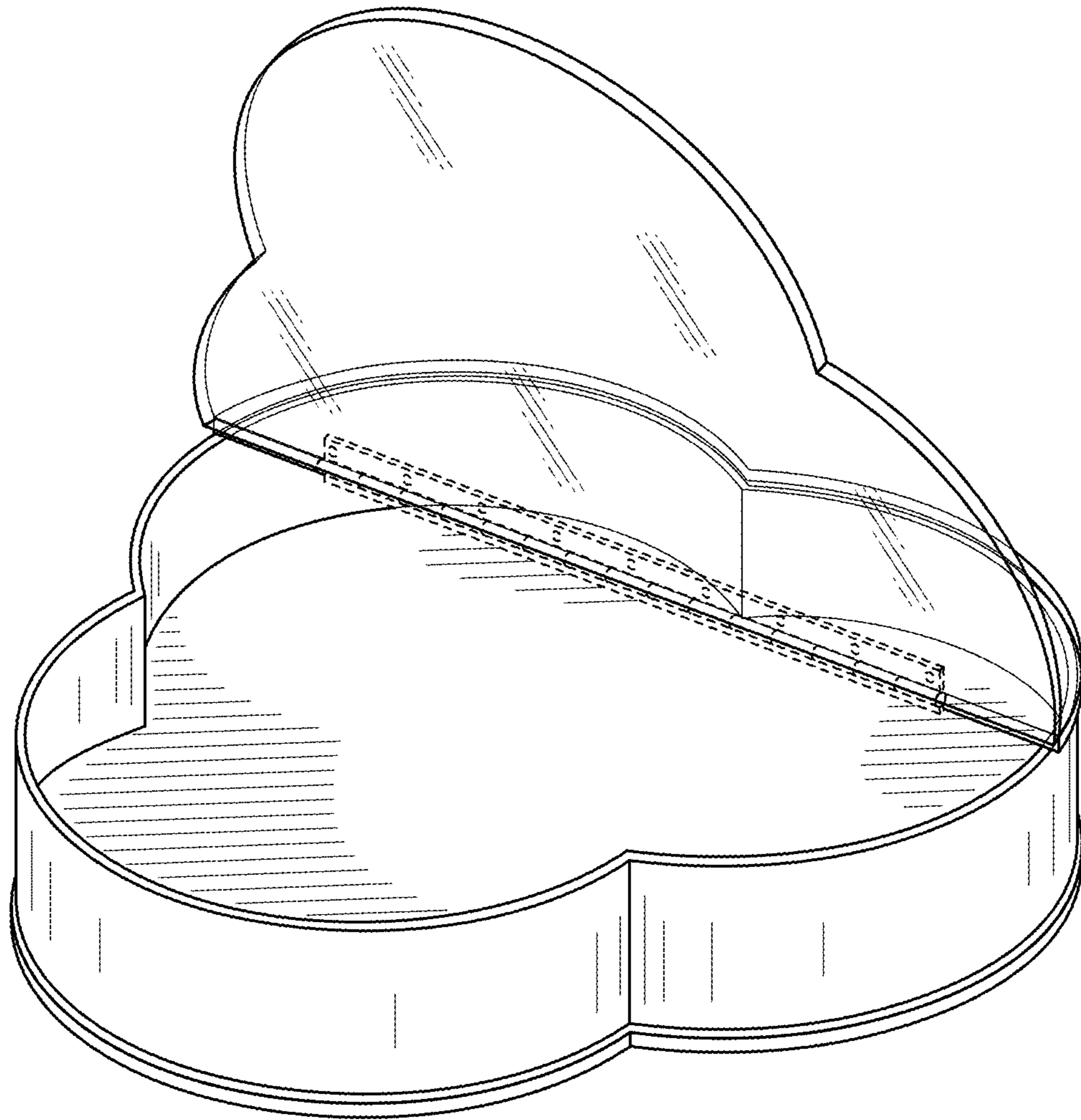


FIG. 7



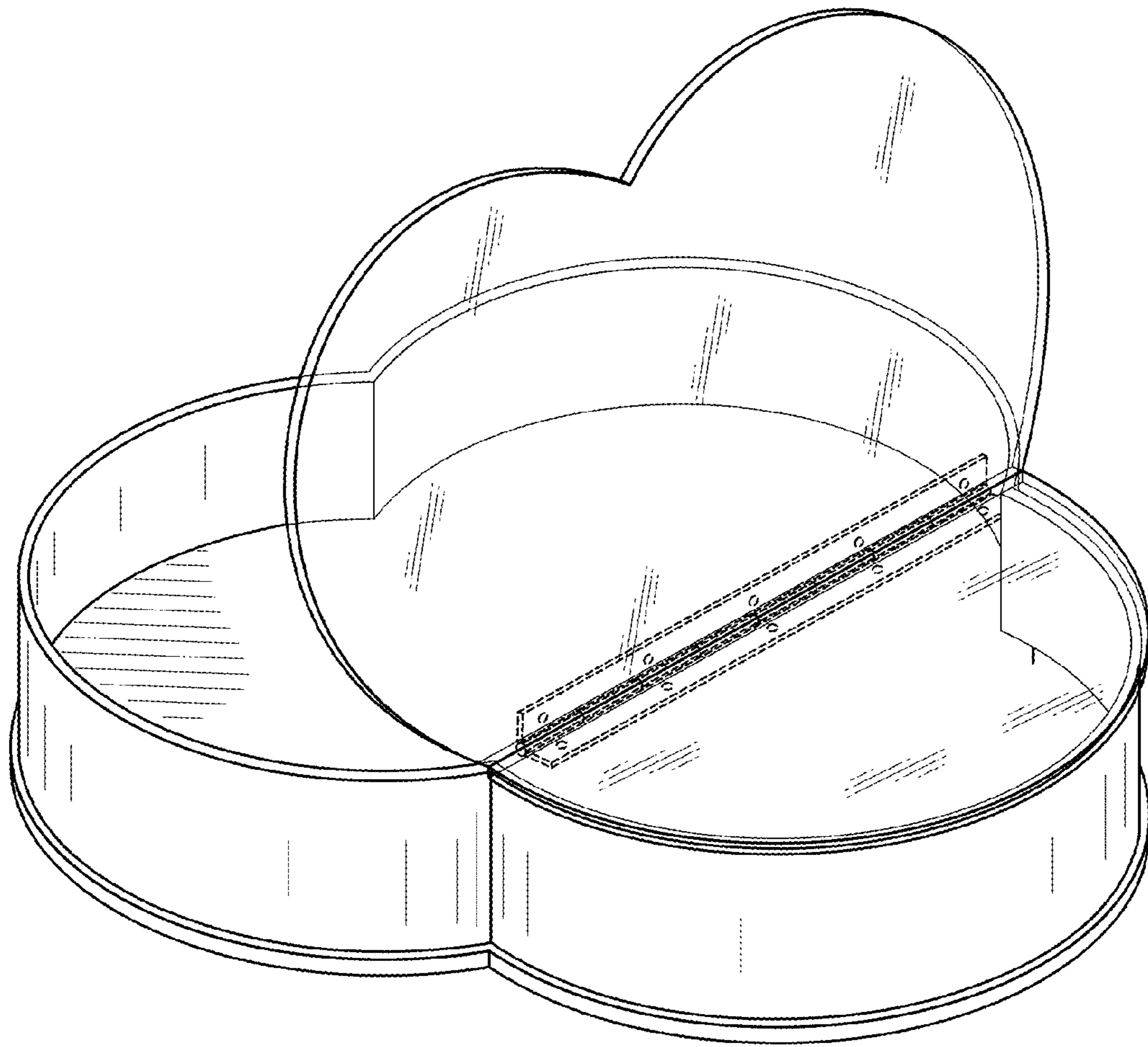


FIG. 8

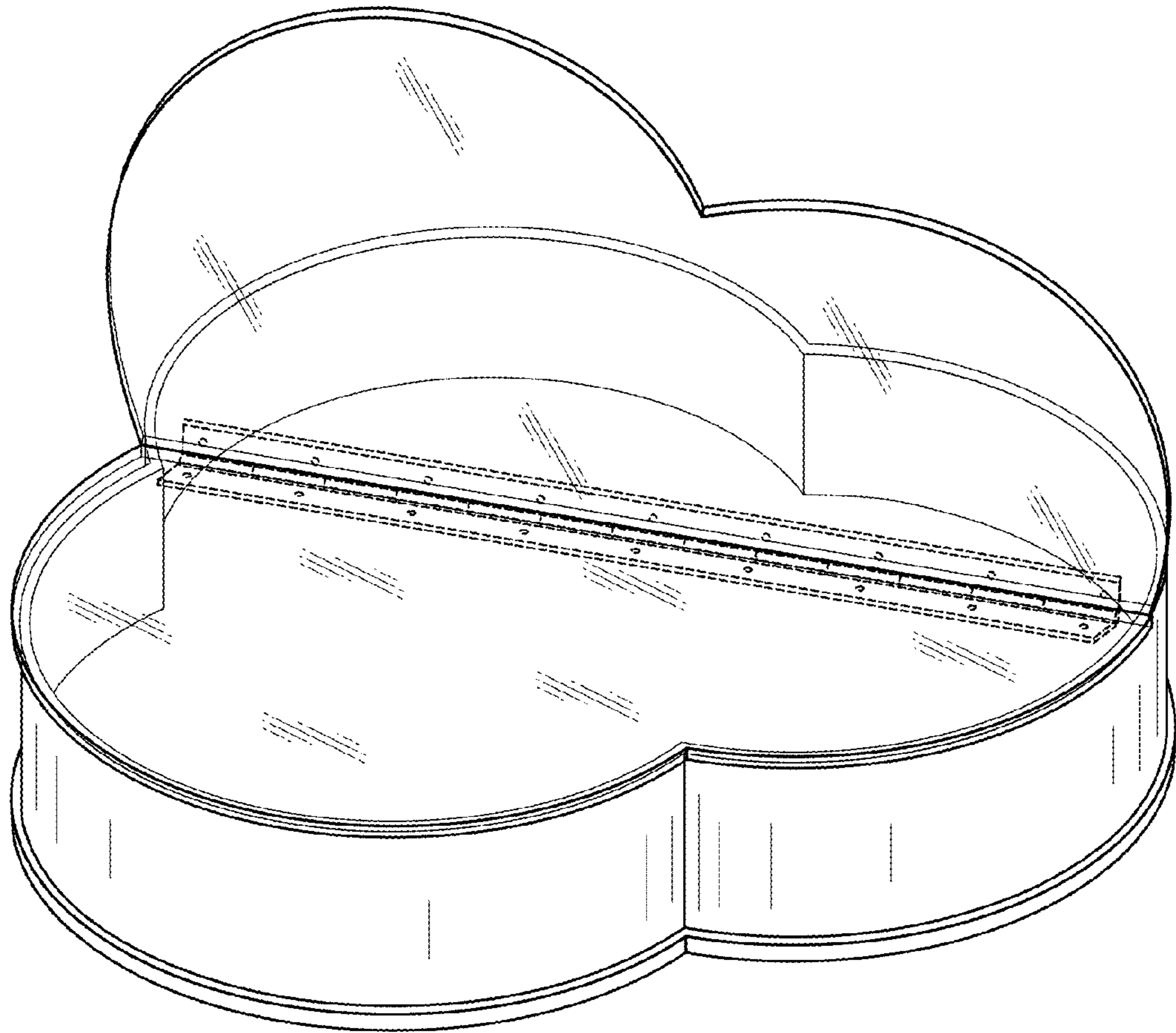


FIG. 9

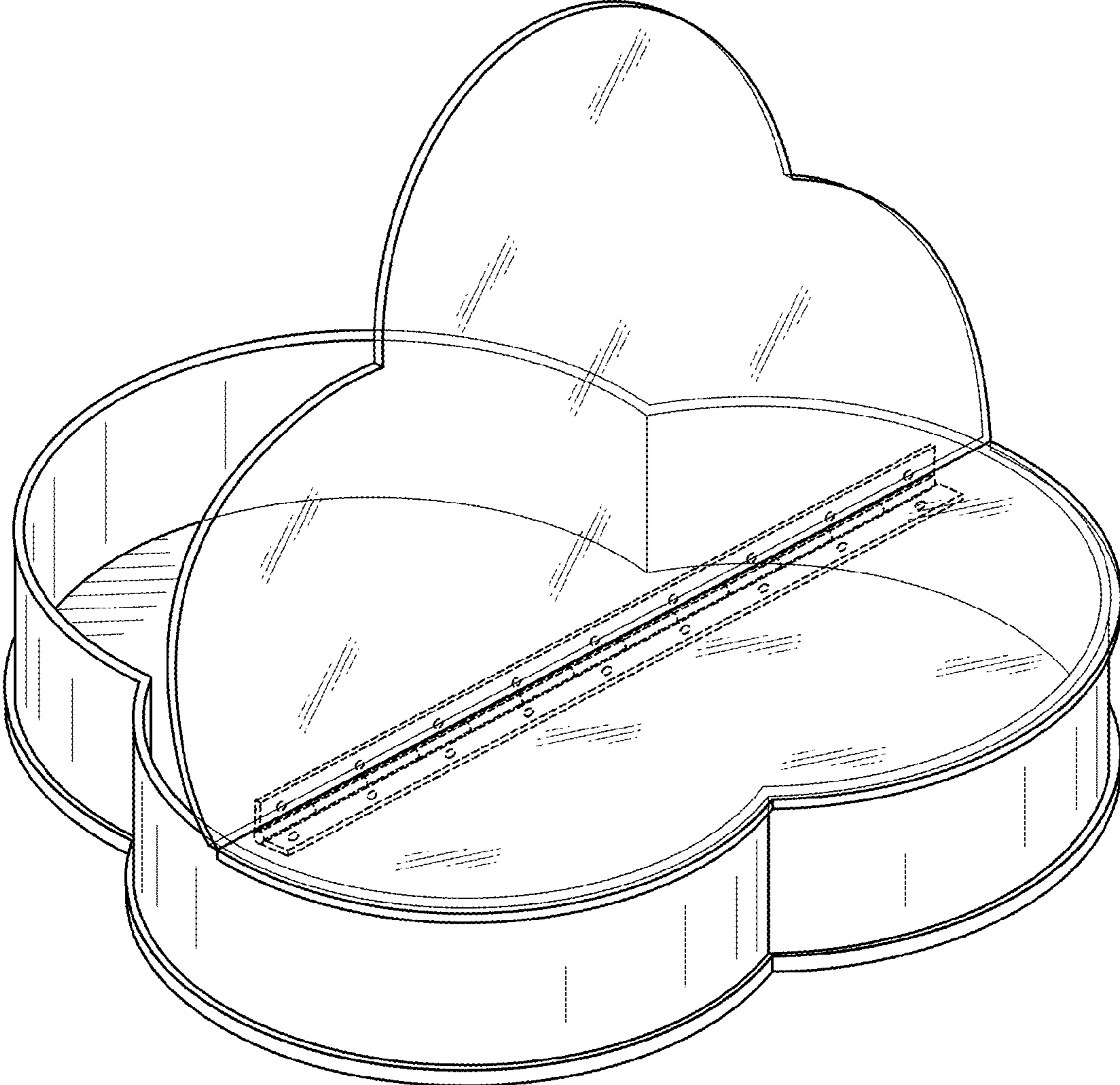


FIG. 10