



US00D749962S

(12) **United States Design Patent**  
**Gorbatiuk**

(10) **Patent No.:** **US D749,962 S**

(45) **Date of Patent:** **\*\* Feb. 23, 2016**

(54) **FOOD PACKAGE**

(71) Applicant: **Denys Gorbatiuk**, Brooklyn, NY (US)

(72) Inventor: **Denys Gorbatiuk**, Brooklyn, NY (US)

(\*\*) Term: **14 Years**

(21) Appl. No.: **29/497,553**

(22) Filed: **Jul. 25, 2014**

(51) **LOC (10) Cl.** ..... **09-01**

(52) **U.S. Cl.**  
USPC ..... **D9/600; D9/649; D9/432**

(58) **Field of Classification Search**  
USPC ..... D3/270, 271.1-271.4; D7/514-520,  
D7/599, 604, 613, 619.2, 623, 628;  
D9/600, 649, 66, 414-434, 451, 737,  
D9/756, 669, 759; 206/457, 459.5, 527;  
215/387-388, 381-384, 400; 229/150,  
229/153; 220/890

CPC .... B65D 5/4258; B65D 81/60; B65D 81/365;  
B65D 81/366; B65D 81/368; B65D 2203/00;  
B65D 2203/02

See application file for complete search history.

(56) **References Cited**

U.S. PATENT DOCUMENTS

D333,611 S *	3/1993	O'Neil .....	D9/649
D411,101 S *	6/1999	Stickney .....	D9/649
D549,105 S *	8/2007	Lepoitevin .....	D9/649
D610,447 S *	2/2010	Seum et al. ....	D9/418
D683,218 S *	5/2013	Thompson et al. ....	D9/434
D695,101 S *	12/2013	Keberlein et al. ....	D9/416

\* cited by examiner

*Primary Examiner* — Sandra Morris

(74) *Attorney, Agent, or Firm* — Antonio Papageorgiou, Esq.; Meister Seelig & Fein LLP

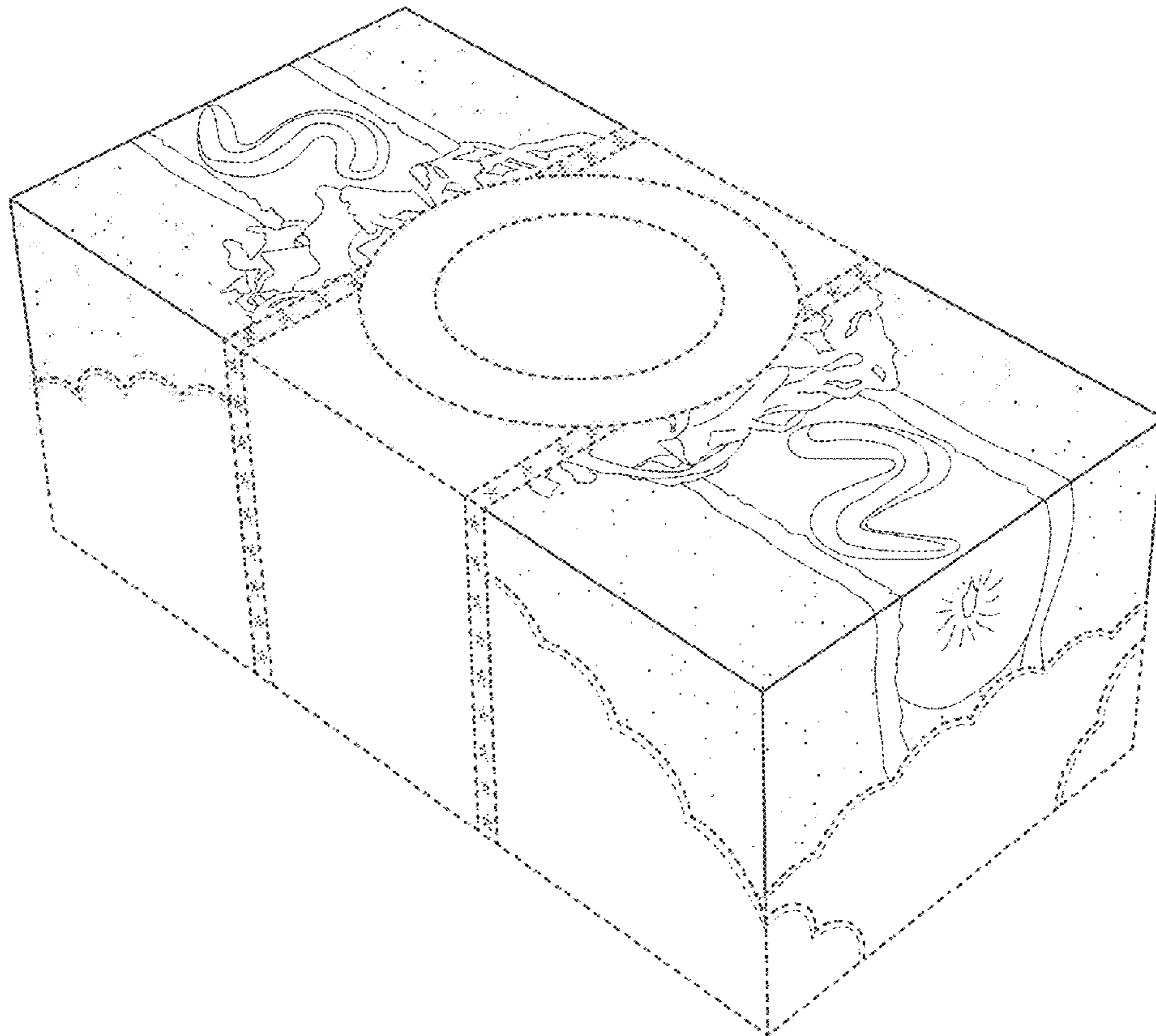
(57) **CLAIM**

The ornamental design for food package, as shown and described.

**DESCRIPTION**

FIG. 1 is a perspective view of one side and the front of the food package according to my new design;  
FIG. 2 is a front view thereof;  
FIG. 3 is a back view thereof;  
FIG. 4 is a left side view thereof;  
FIG. 5 is a right side view thereof; and,  
FIG. 6 is a top view thereof.  
The broken line showing is for illustration purposes only, and forms no part of the claimed design.

**1 Claim, 4 Drawing Sheets**



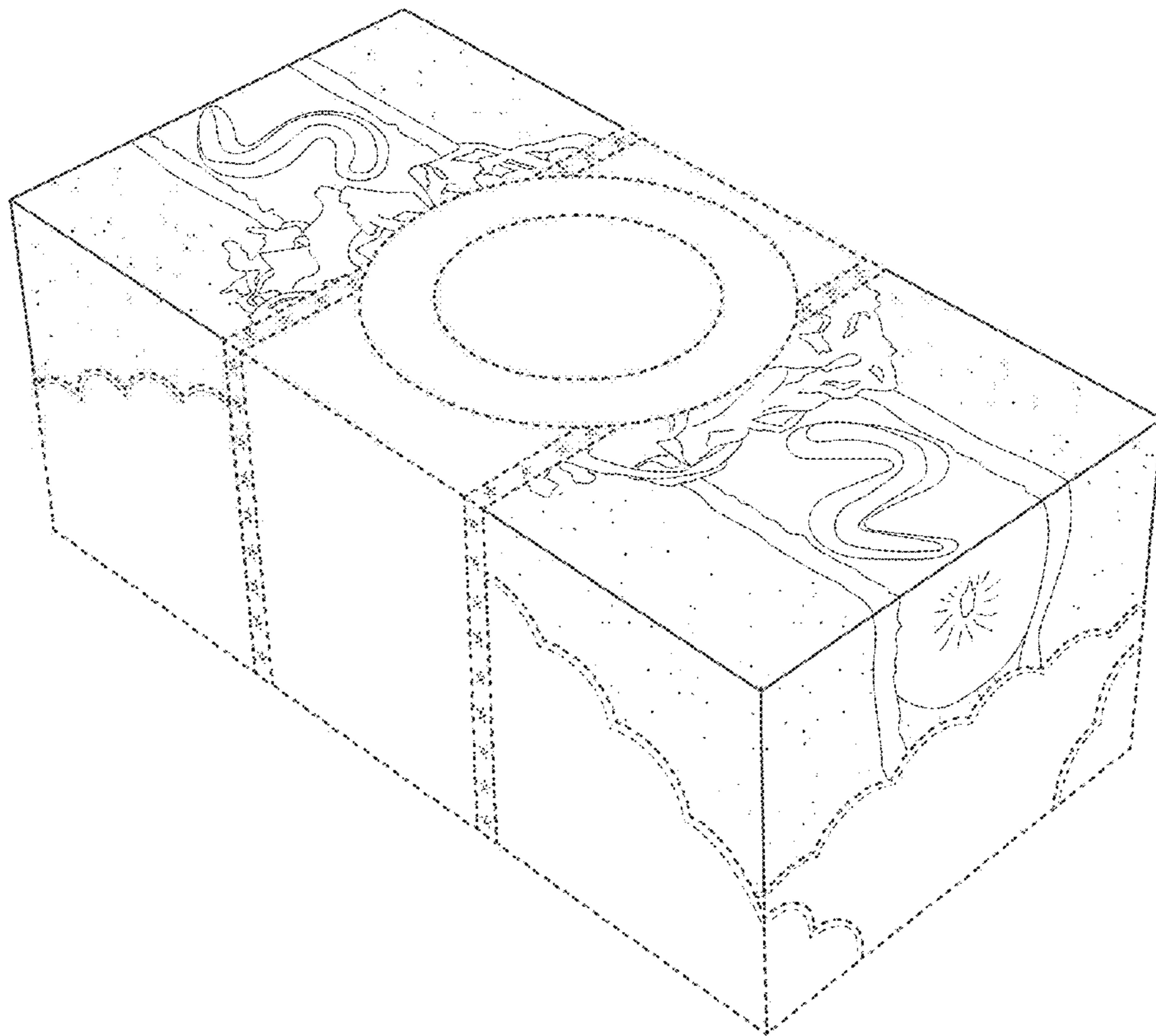


FIG. 1

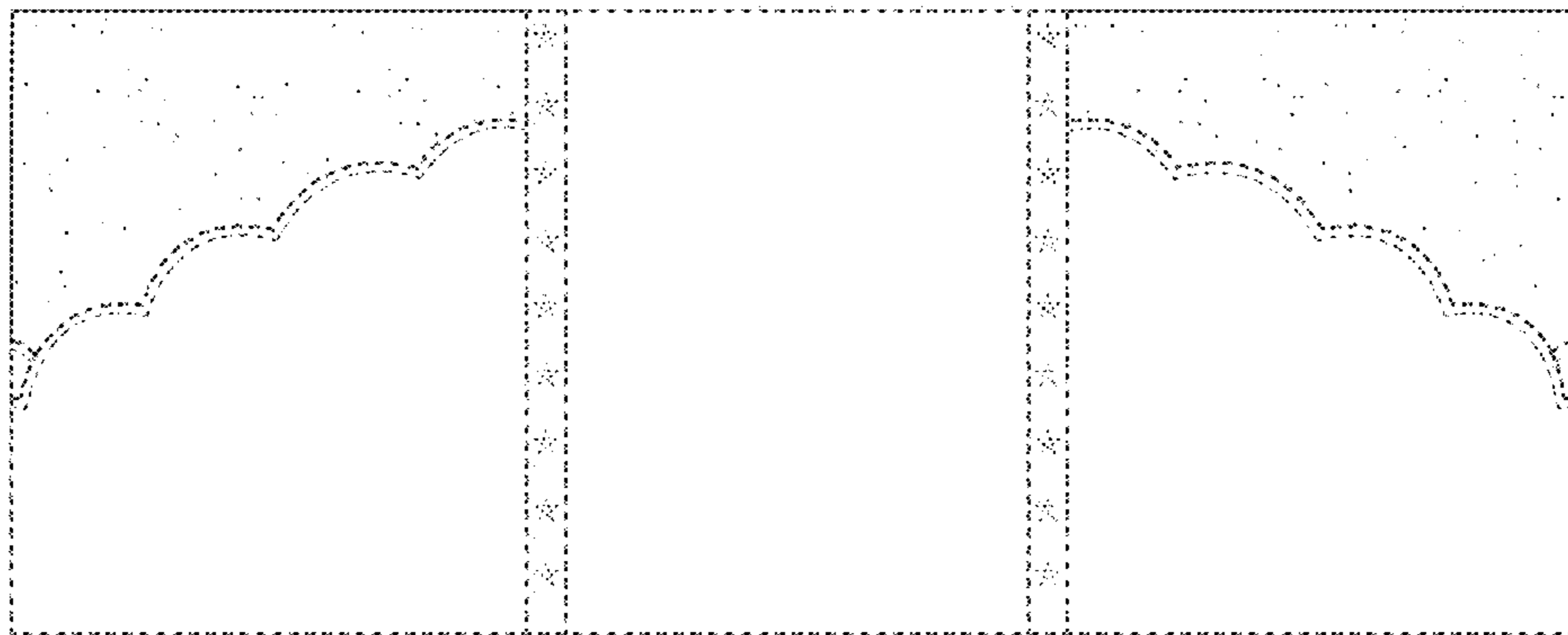


FIG. 2

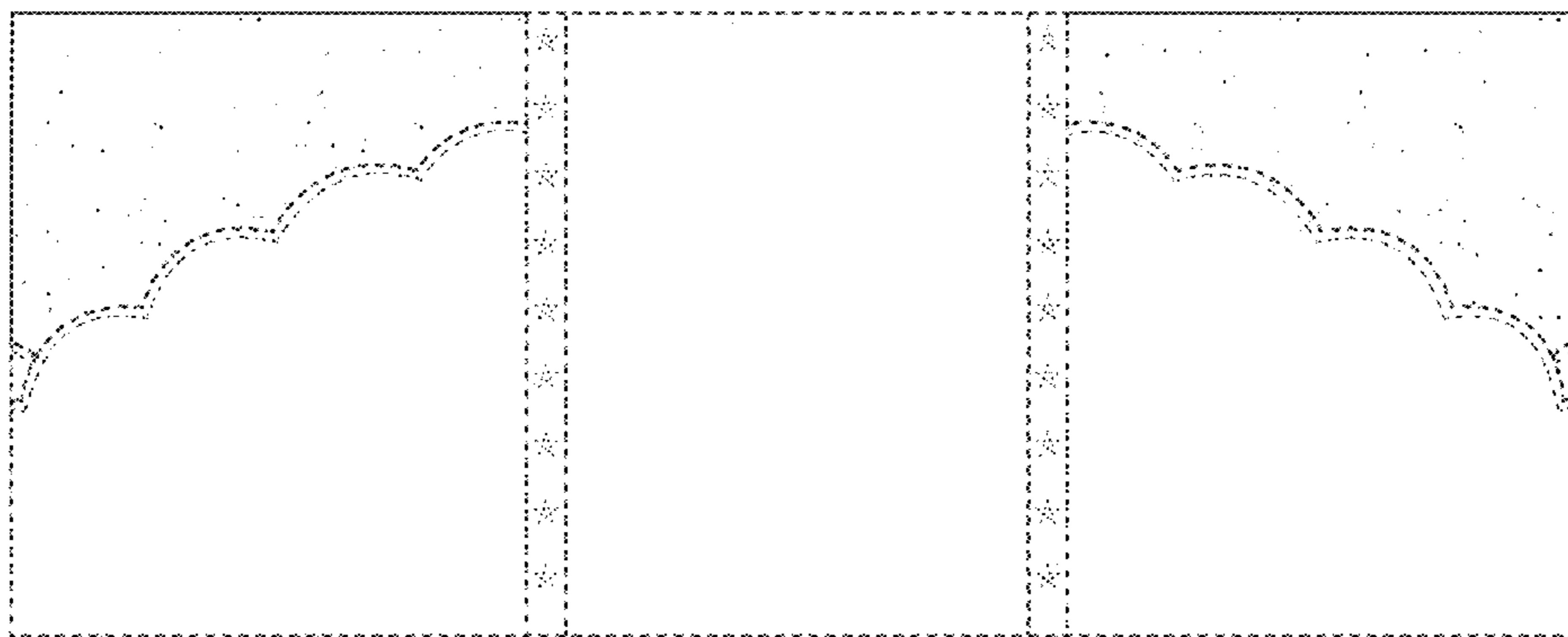


FIG. 3

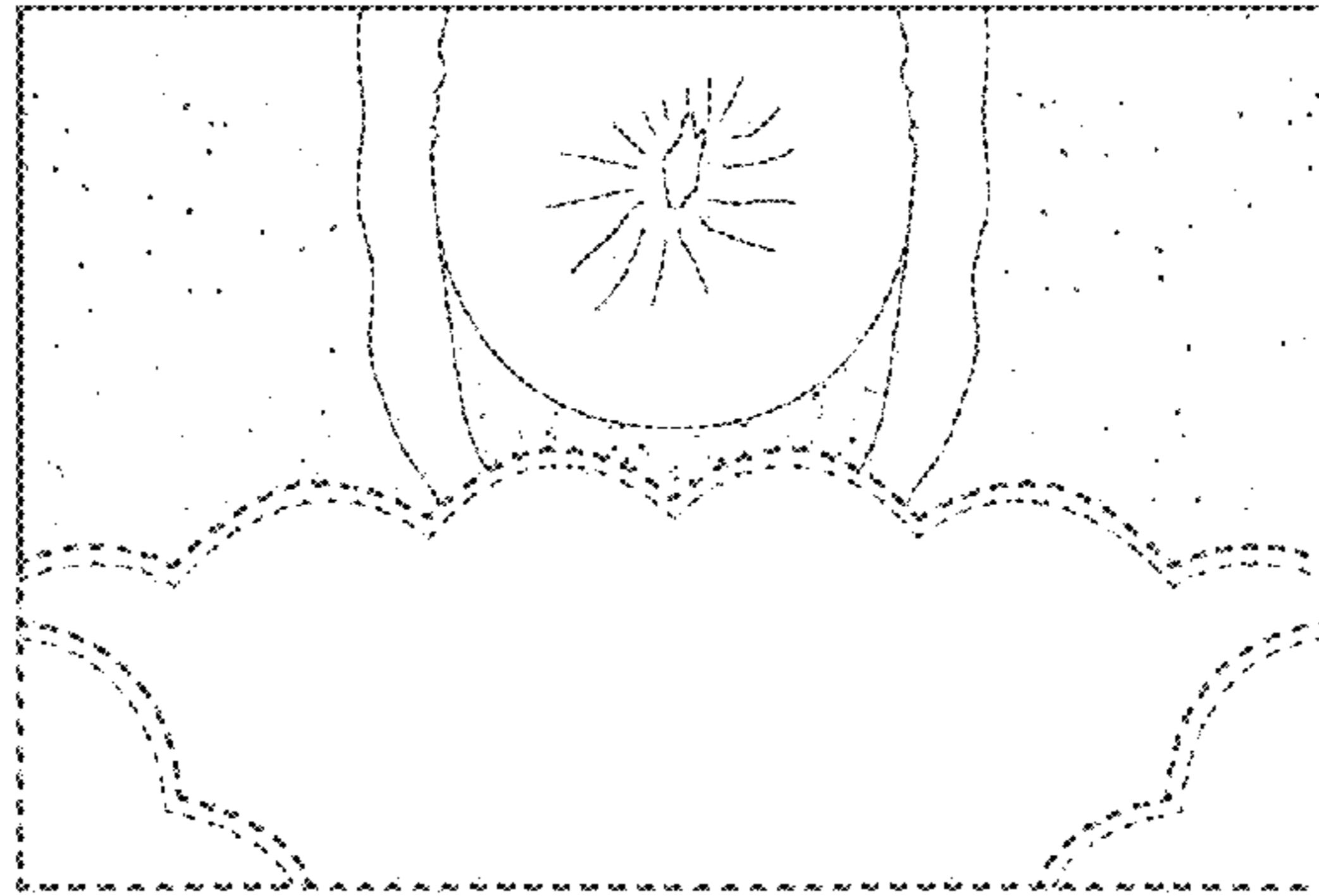


FIG. 4

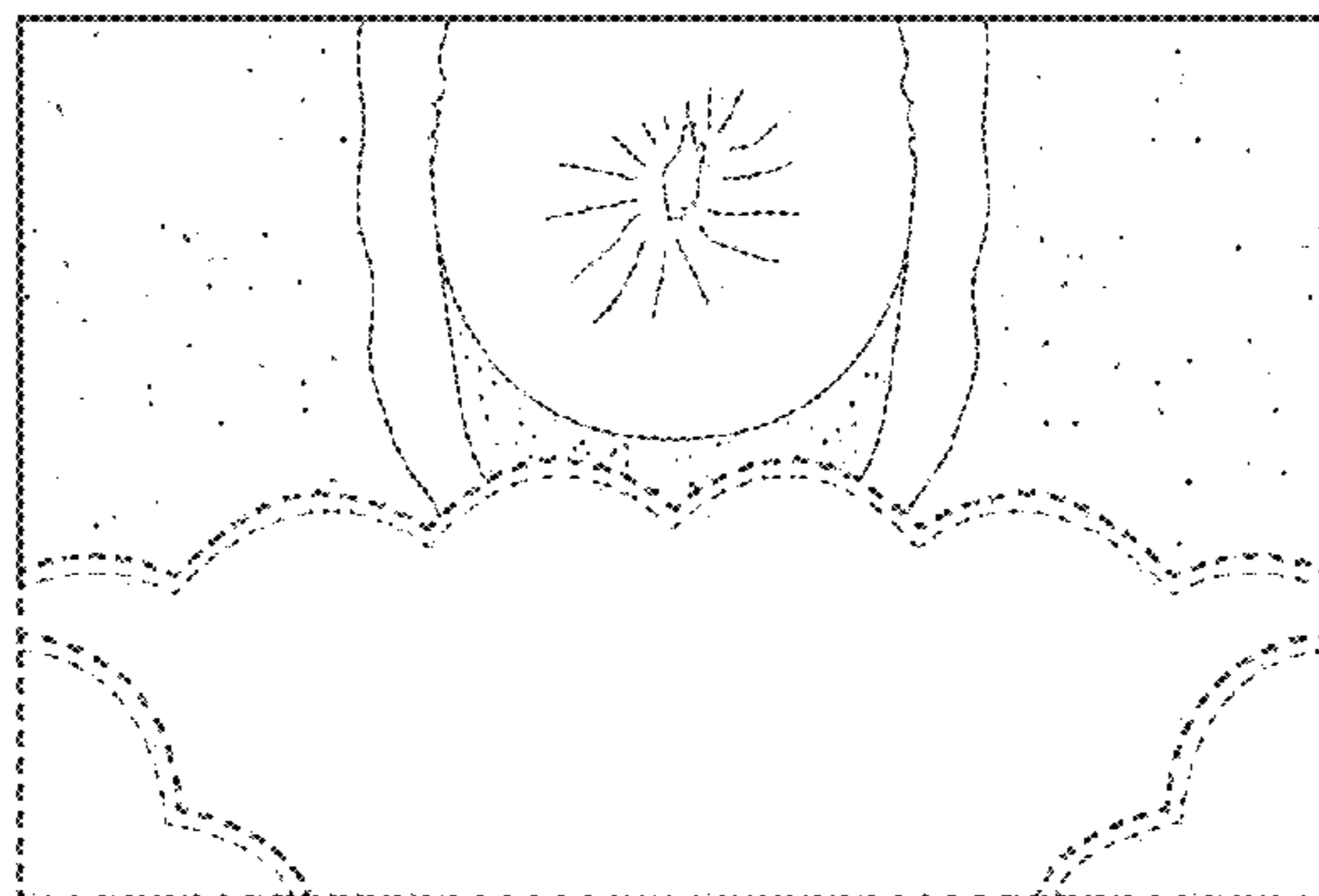


FIG. 5

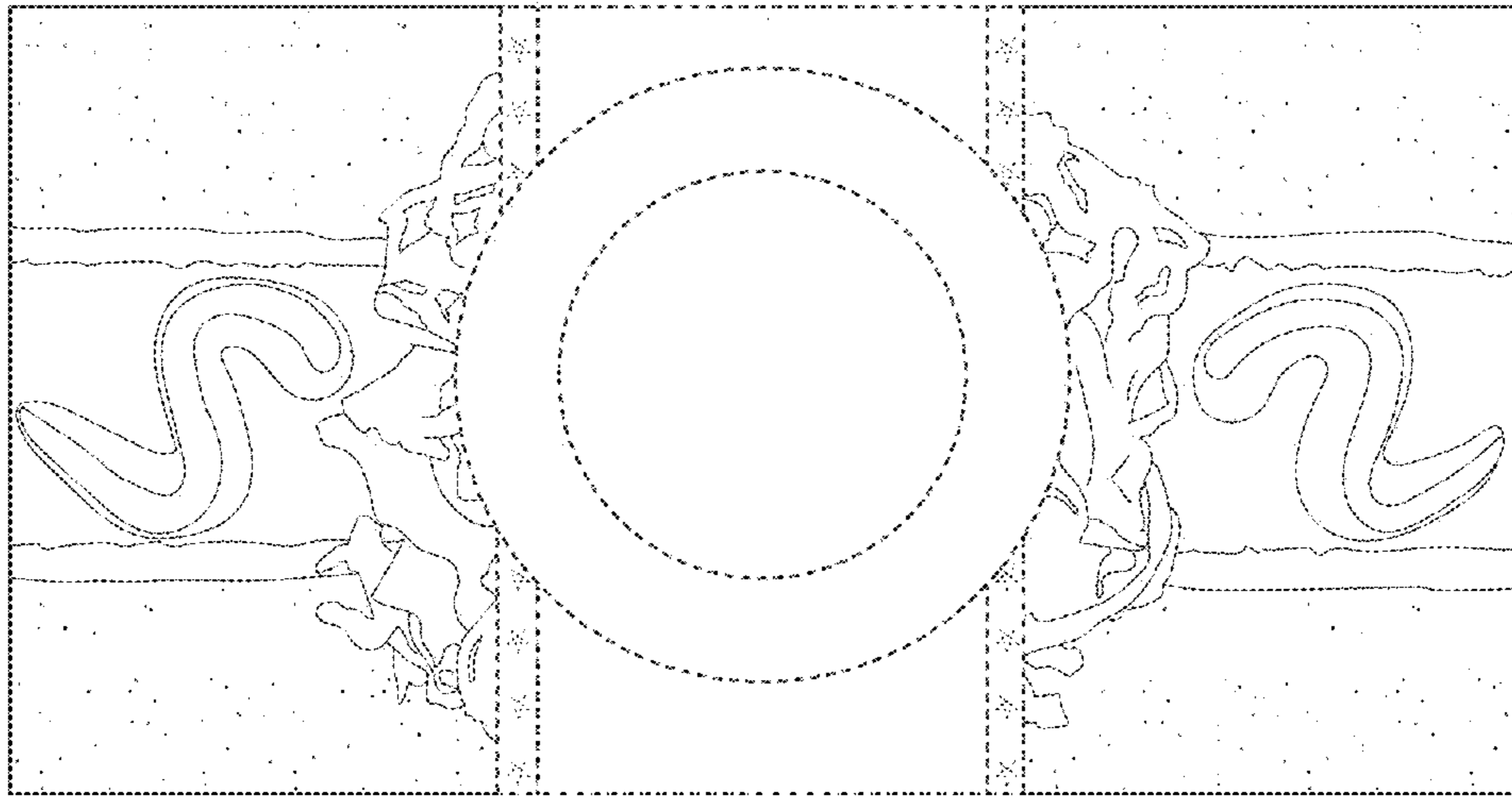


FIG. 6