



US00D749957S

(12) **United States Design Patent**  
**Ishida et al.**

(10) **Patent No.:** **US D749,957 S**  
(45) **Date of Patent:** **\*\* Feb. 23, 2016**

- (54) **PACKAGING CONTAINER FOR GLUE**
- (71) Applicant: **3M INNOVATIVE PROPERTIES COMPANY**, St. Paul, MN (US)
- (72) Inventors: **Neyoshi Ishida**, Kanagawa (JP);  
**Akifumi Asano**, Tokyo (JP)
- (73) Assignee: **3M Innovative Propeties Company**, St. Paul, MN (US)

D474,341 S *	5/2003	Cantone .....	D4/116
D508,084 S *	8/2005	Yoon .....	D19/194
D516,916 S *	3/2006	Cornet .....	D28/88
D537,731 S *	3/2007	Shimizu .....	D9/517
D545,678 S *	7/2007	Dittmer .....	D9/504
D555,012 S *	11/2007	Yamauchi .....	D9/724
D557,605 S *	12/2007	Reber, II .....	D9/453
D623,066 S *	9/2010	Mongeon .....	D9/529
D661,202 S *	6/2012	McCoy .....	D9/723
D674,291 S *	1/2013	Py .....	D9/723

(Continued)

(\*\*) Term: **14 Years**

FOREIGN PATENT DOCUMENTS

(21) Appl. No.: **29/500,836**

JP	S 0334760	4/1969
JP	S 0435969	5/1974
JP	S 0614264	12/1980
JP	S 1471442	3/2013

(22) Filed: **Aug. 28, 2014**

(30) **Foreign Application Priority Data**

Feb. 28, 2014 (JP) ..... 2014-004346

*Primary Examiner* — Philip S Hyder

*Assistant Examiner* — Keith Frank

(51) **LOC (10) Cl.** ..... **09-01**

(74) *Attorney, Agent, or Firm* — Sandra K. Nowak

(52) **U.S. Cl.**  
USPC ..... **D9/529**; D9/550; D9/554; D9/558;  
D9/452

(57) **CLAIM**

The ornamental design for a packaging container for glue, as shown and described.

(58) **Field of Classification Search**  
USPC ..... D9/516, 529, 523, 504, 554, 723, 727,  
D9/549, 541-543; D7/665, 300, 300.1,  
D7/589, 590; D3/229; D28/91.1, 76, 77  
CPC ..... B65D 47/247; B65D 47/268; B65D 47/28  
See application file for complete search history.

**DESCRIPTION**

FIG. 1 is a perspective view showing the new design for a packaging container for glue;

FIG. 2 is a front view thereof, the back view being a mirror image of the front view;

FIG. 3 is a side view thereof, the opposite side view being a mirror image of the side view shown;

FIG. 4 is a top view thereof; and,

FIG. 5 is a bottom view thereof.

The broken line portion of the figure drawings is included to show portions of the packaging container that form no part of the claimed design.

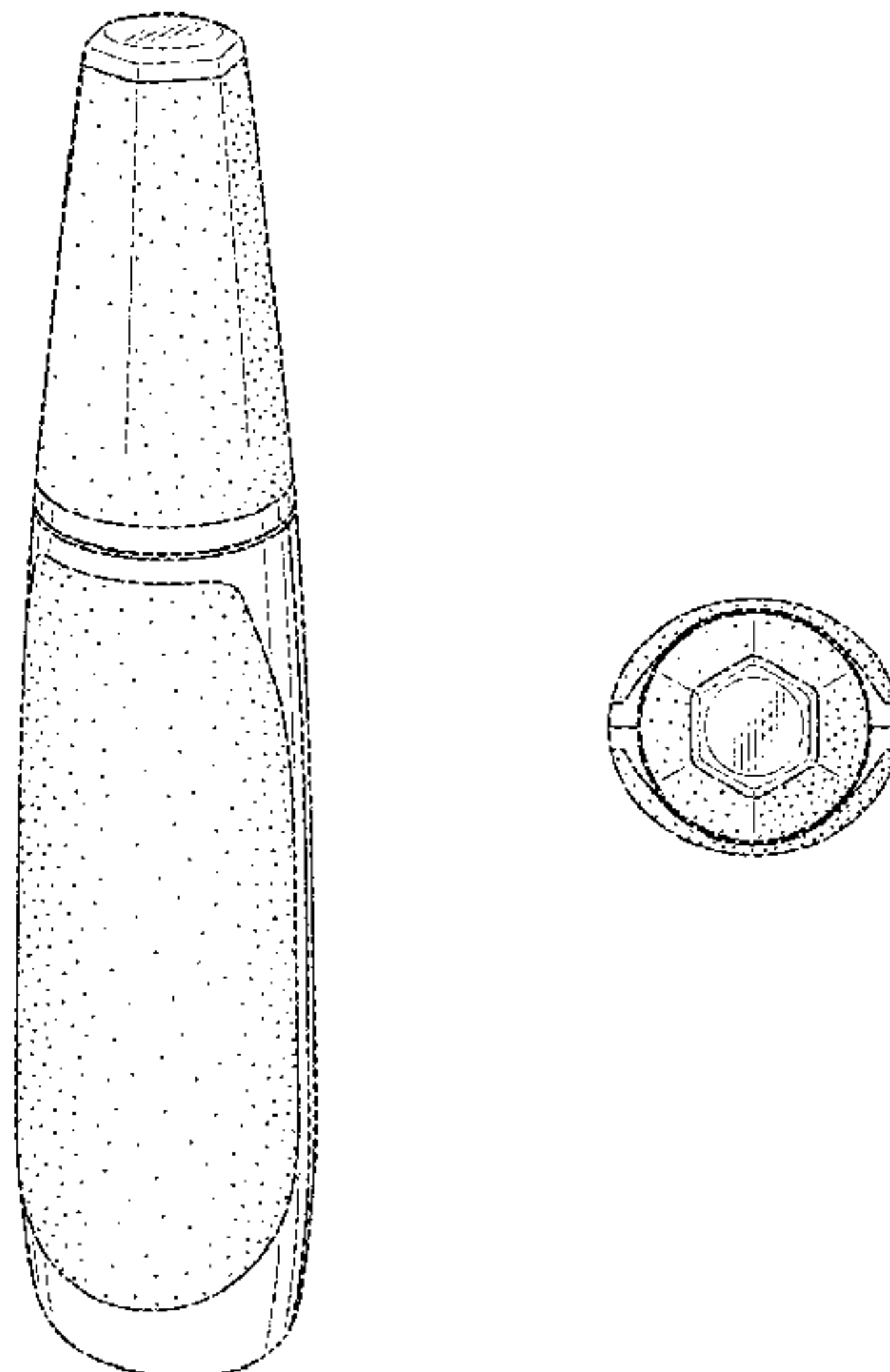
The stipple shading and the straight line shading in the drawings illustrate a contrasting appearance.

(56) **References Cited**

U.S. PATENT DOCUMENTS

D158,554 S *	5/1950	Cady .....	D28/91.1
4,217,994 A *	8/1980	Koenig .....	B65D 47/248 222/212
D373,730 S *	9/1996	Baron .....	D9/504
D380,356 S *	7/1997	Husted .....	D7/679
D402,199 S *	12/1998	Saunders .....	D9/724
D411,749 S *	6/1999	Nahum-Albright .....	D9/529
D446,693 S *	8/2001	Bodum .....	D7/679

**1 Claim, 2 Drawing Sheets**



# US D749,957 S

Page 2

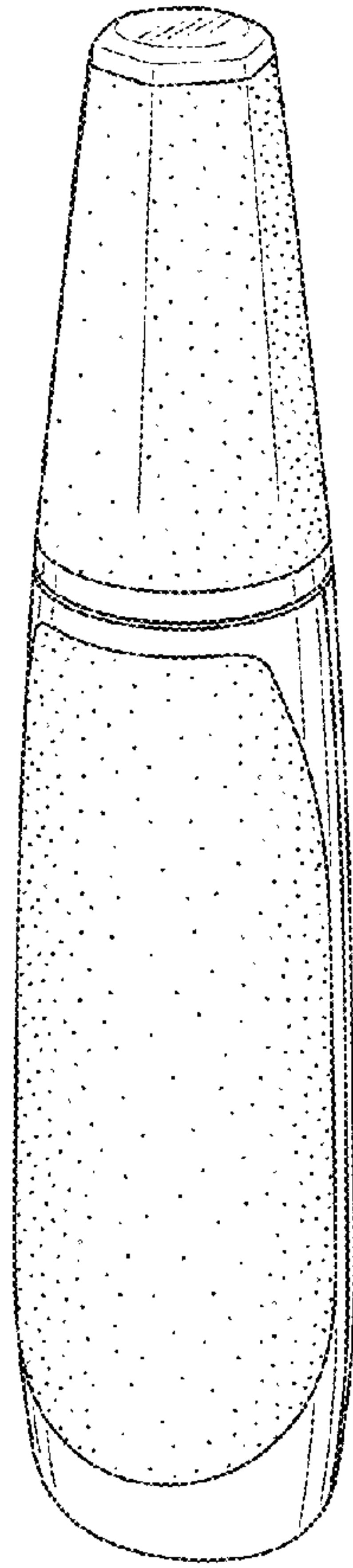
(56)

## References Cited

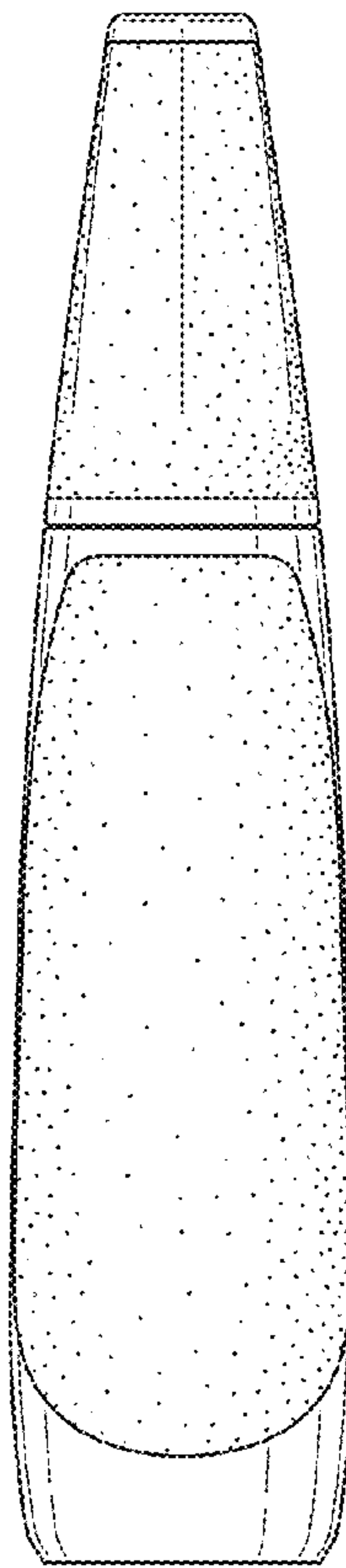
### U.S. PATENT DOCUMENTS

D719,038 S *	12/2014	Heipp .....	D9/729	2008/0173653 A1 *	7/2008	Hainaut .....	B65D 1/0223 220/669
D721,967 S *	2/2015	DeMarco .....	D9/504	2009/0179031 A1 *	7/2009	Chen .....	B65D 50/041 220/254.1
D730,189 S *	5/2015	Haile .....	D4/116	2013/0174860 A1 *	7/2013	Takagi .....	A45D 19/02 132/200
D735,946 S *	8/2015	Ko .....	D28/76	2014/0090659 A1 *	4/2014	Wright- Frohnhofer .....	A45D 34/04 132/208
2007/0218229 A1 *	9/2007	Nagahama .....	B65D 35/28 428/35.7				

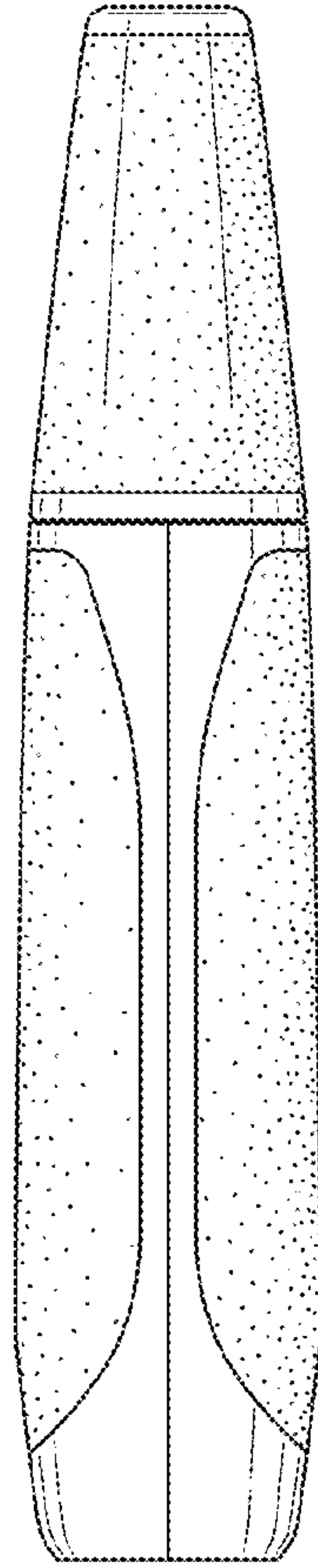
\* cited by examiner



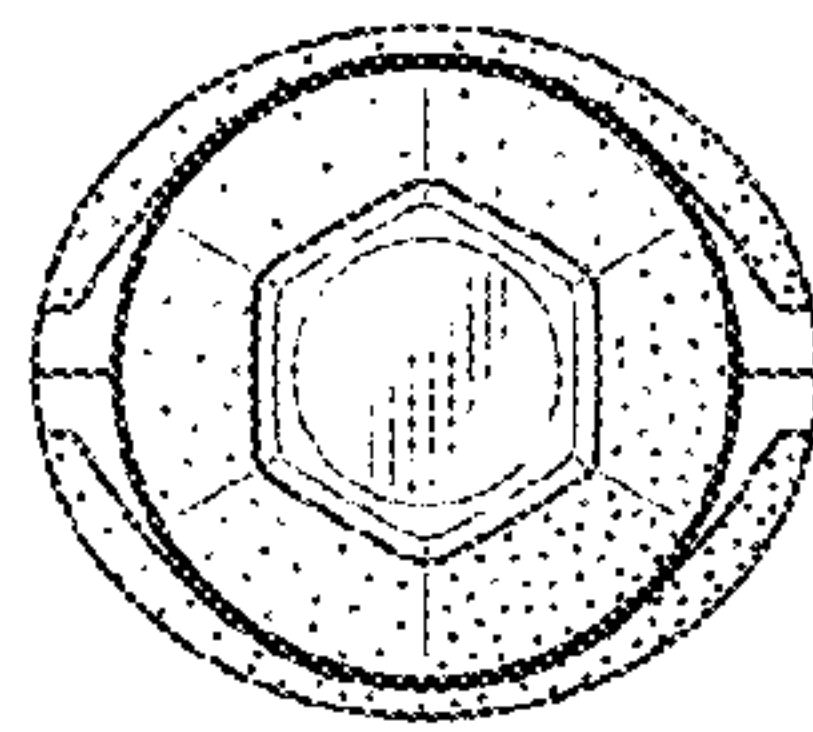
**FIG. 1**



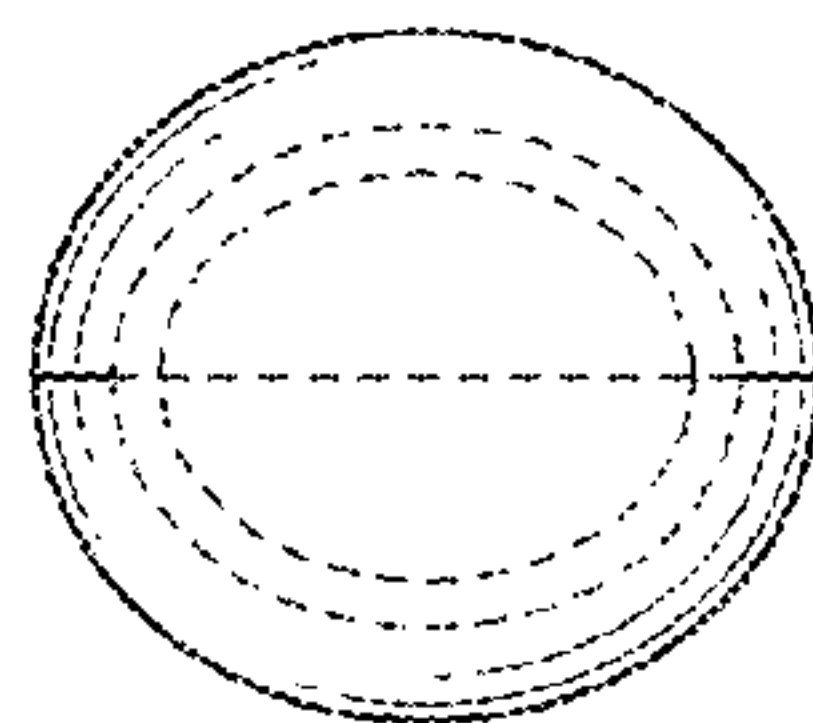
**FIG. 2**



**FIG. 3**



**FIG. 4**



**FIG. 5**