



US00D749953S

(12) **United States Design Patent**
Handy

(10) **Patent No.:** **US D749,953 S**

(45) **Date of Patent:** **** Feb. 23, 2016**

(54) **BOTTLE**

(71) Applicant: **Ecover Co-ordination Center,
naamloze vennootschap, Malle (BE)**

(72) Inventor: **Francis J. Handy, San Rafael, CA (US)**

(73) Assignee: **Ecover Co-ordination Center,
naamloze vennootschap, Malle (BE)**

(**) Term: **14 Years**

(21) Appl. No.: **29/481,130**

(22) Filed: **Jan. 31, 2014**

(51) **LOC (10) Cl.** **09-01**

(52) **U.S. Cl.**
USPC **D9/516; D9/528; D9/563; D9/575;
D9/452**

(58) **Field of Classification Search**
USPC **D9/516–575, 723–729, 434–436,
D9/439–441, 445, 446, 449, 451, 452**
CPC **B65D 1/02; B65D 1/0207; B65D 1/0223;
B65D 1/40; B65D 23/00; B65D 1/0261;
B65D 1/0276; B65D 2203/00; B65D
2501/0009; B65D 2501/0081**
See application file for complete search history.

(56) **References Cited**

U.S. PATENT DOCUMENTS

D117,609	S	*	11/1939	Blunt	D9/652
3,536,223	A	*	10/1970	Hammes	B65D 1/0223 215/383
D221,517	S	*	8/1971	Luedtke	D9/529
D222,530	S	*	11/1971	Luedtke	D9/529
D241,317	S	*	9/1976	Brackman	D9/529
D256,555	S	*	8/1980	Beeman	D9/563
D278,681	S	*	5/1985	Prahs	D9/531
D281,861	S	*	12/1985	Jones	D9/529
D288,294	S	*	2/1987	Taylor	D9/550
D308,481	S	*	6/1990	Thompson	D9/526
D311,133	S	*	10/1990	Wiseman	D9/521
D312,210	S	*	11/1990	Myerson	D9/528
D316,224	S	*	4/1991	Gray	D9/435

D333,789	S	*	3/1993	Reif	D9/453
D343,794	S	*	2/1994	D'Amico	D9/516
D392,898	S	*	3/1998	Butler	D9/558
D400,444	S	*	11/1998	Laubach	D9/542
D550,093	S	*	9/2007	Suxdorf	D9/550

OTHER PUBLICATIONS

“All Purpose Cleaner,” Ecover-United States, accessed at <<http://www.ecover.eu/us/en/products/ProductDetails.aspx?Pid=9004&Vid=20019006867&Cid=102&NM=All Purpose Cleaner>>, retrieved Feb. 3, 2014, 1 page.

“Laundry Liquid 2.5X Concentrate ZERO,” Ecover-United States, accessed at <<http://www.ecover.eu/us/en/products/ProductDetails.aspx?Pid=9236&Vid=20019007396&Cid=109&NM=Laundry Liquid 2.5X Concentrate ZERO>>, retrieved Feb. 3, 2014, 1 page.

* cited by examiner

Primary Examiner — Catherine Tuttle

(74) *Attorney, Agent, or Firm* — Sterne, Kessler, Goldstein & Fox P.L.L.C.

(57) **CLAIM**

The ornamental design for a bottle, as shown and described.

DESCRIPTION

FIG. 1 is a top, front perspective view of a bottle showing my new design;

FIG. 2 is a front view thereof, the rear being a mirror image thereof;

FIG. 3 is a left side view thereof;

FIG. 4 is a right side view thereof;

FIG. 5 is a top view thereof;

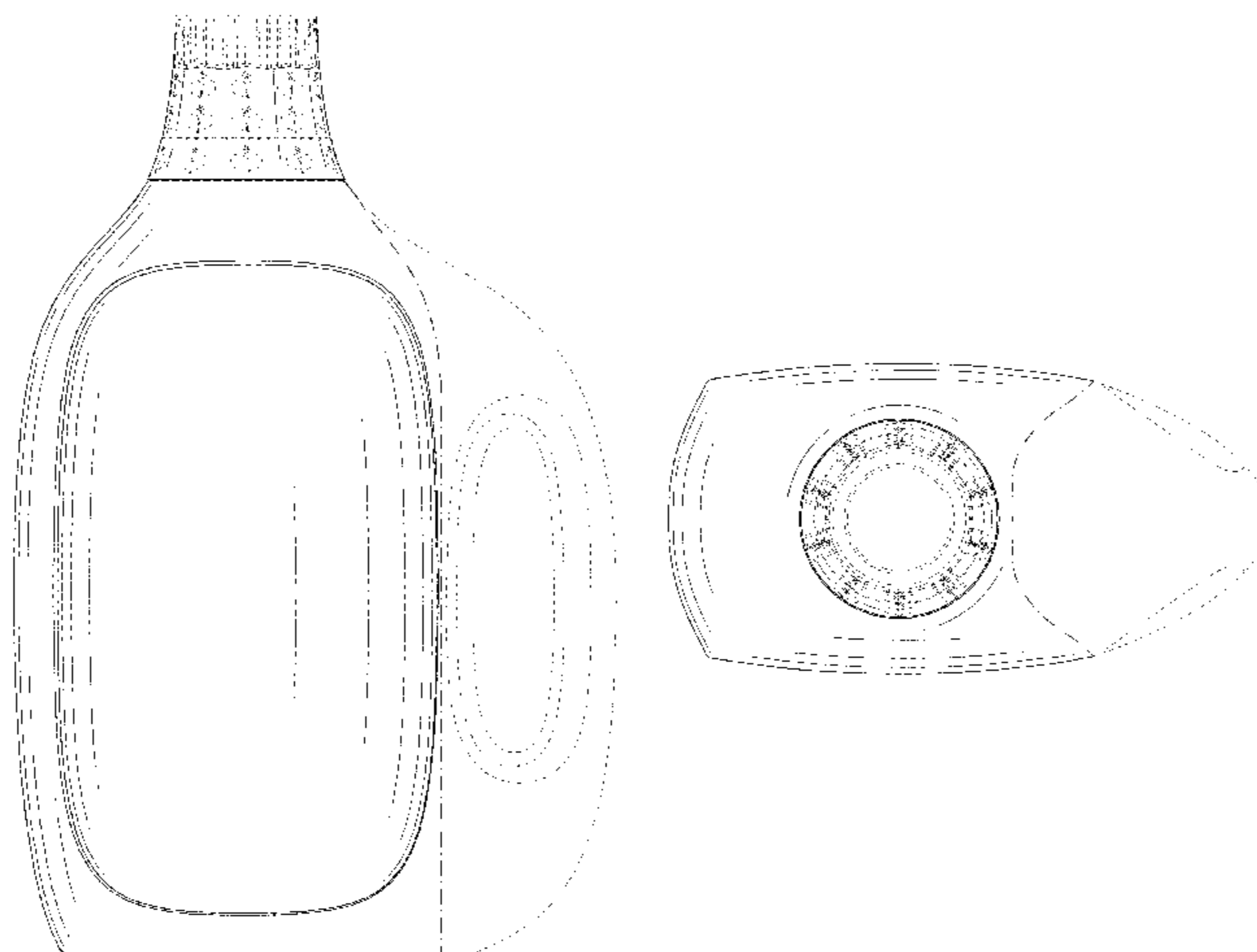
FIG. 6 is a bottom view thereof; and,

FIG. 7 is a bottom, front perspective view thereof.

The broken lines in the Figures show portions of the bottle that form no part of the claimed design. The dot-dash broken lines in the Figures show an unclaimed boundary of portions of the subject matter being claimed.

The shading in the Figures shows contour and not surface ornamentation.

1 Claim, 7 Drawing Sheets



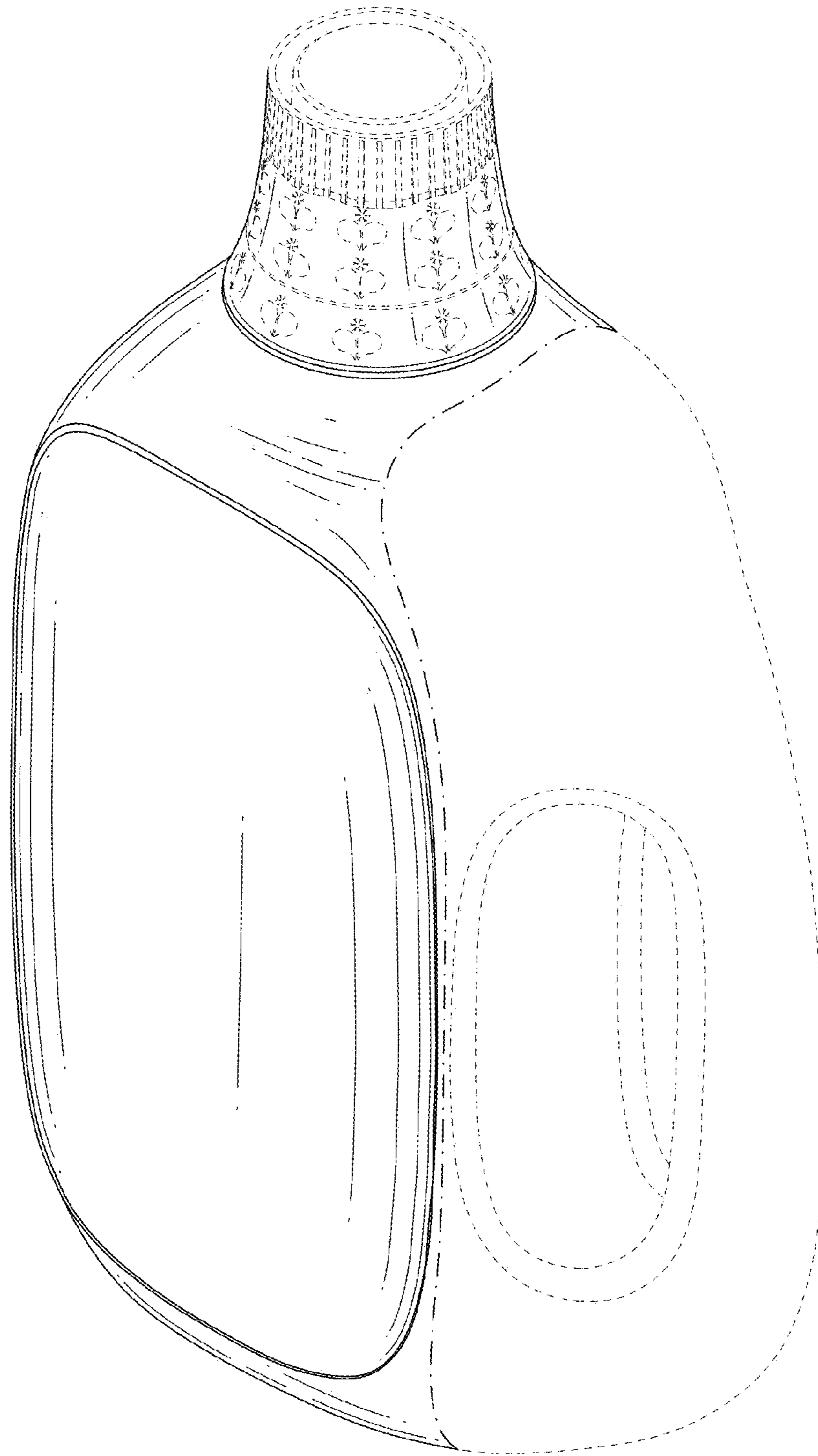


FIG. 1

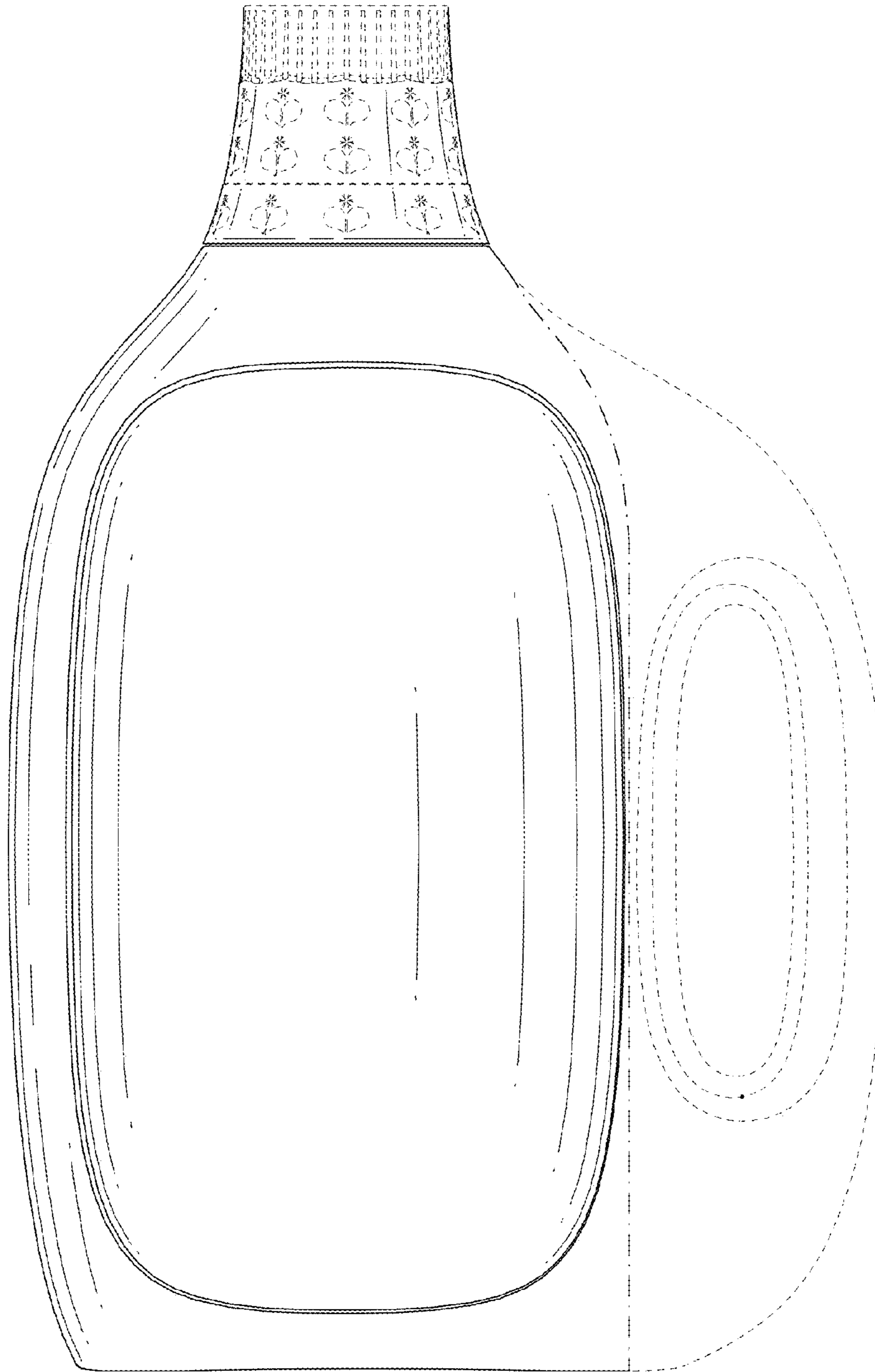


FIG. 2

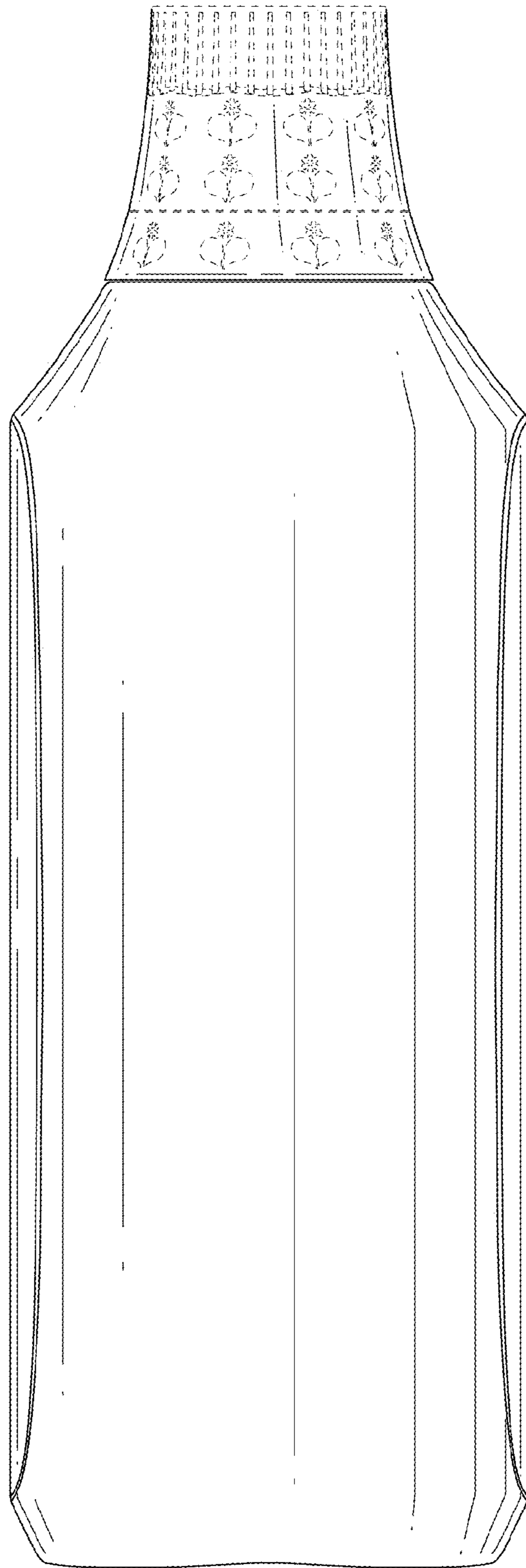


FIG. 3

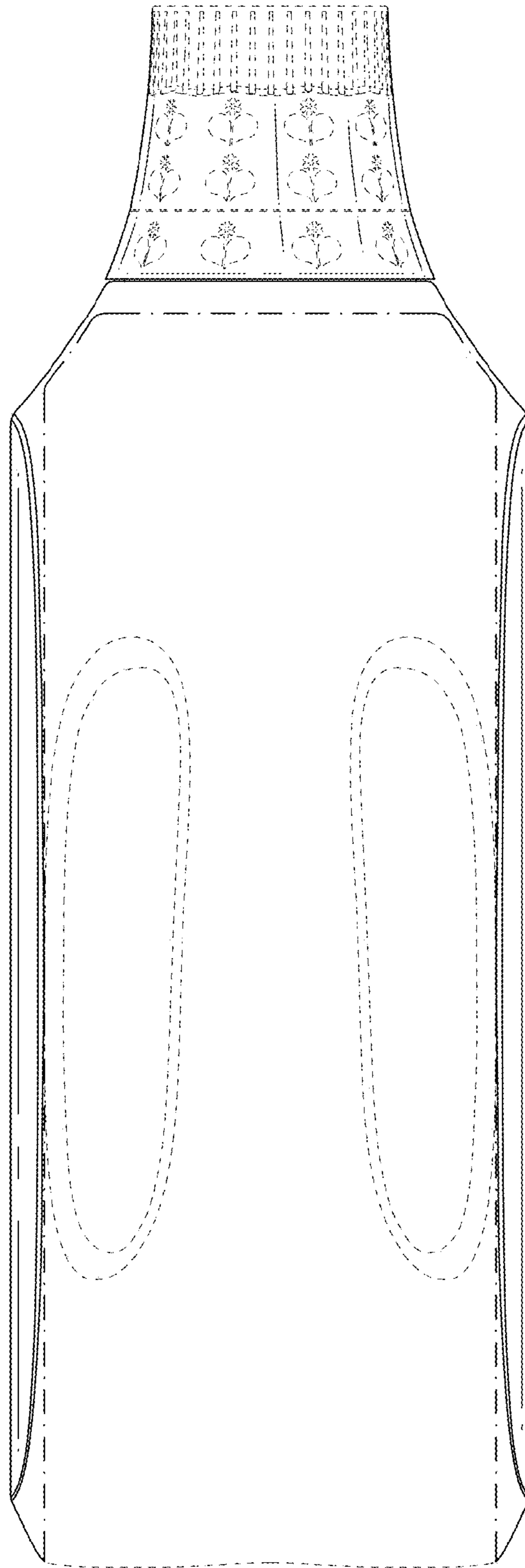


FIG.4

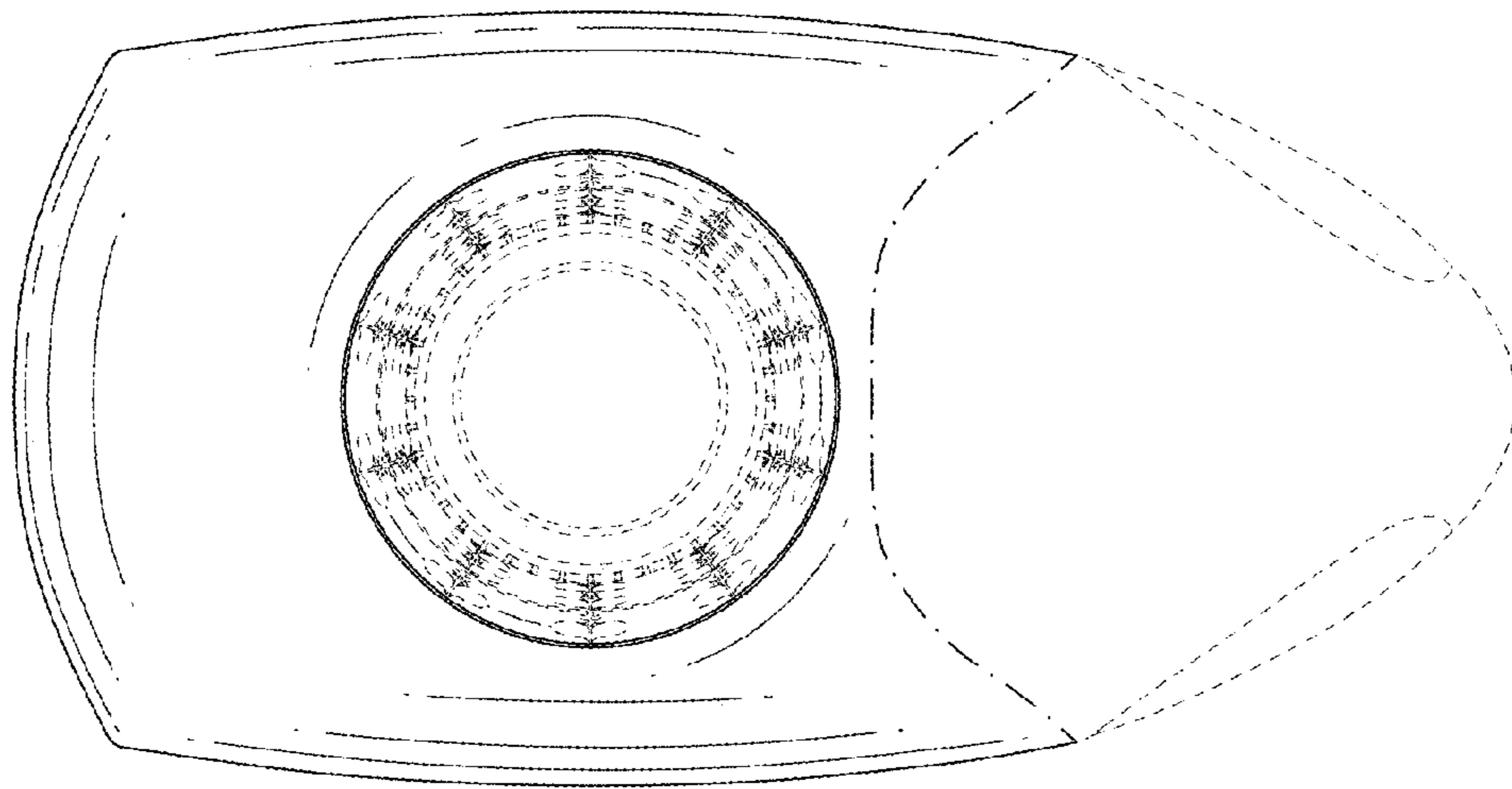


FIG. 5

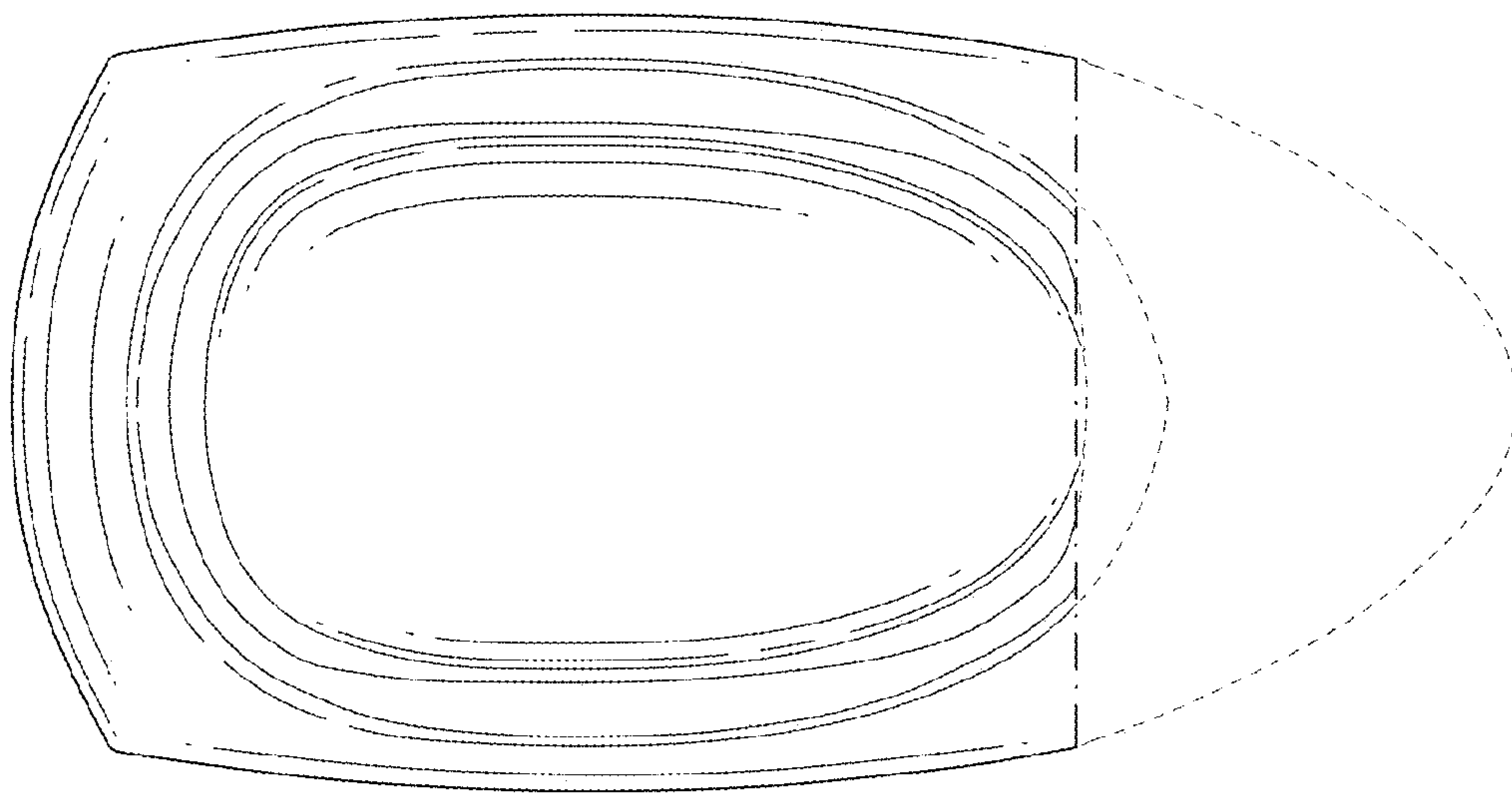


FIG.6

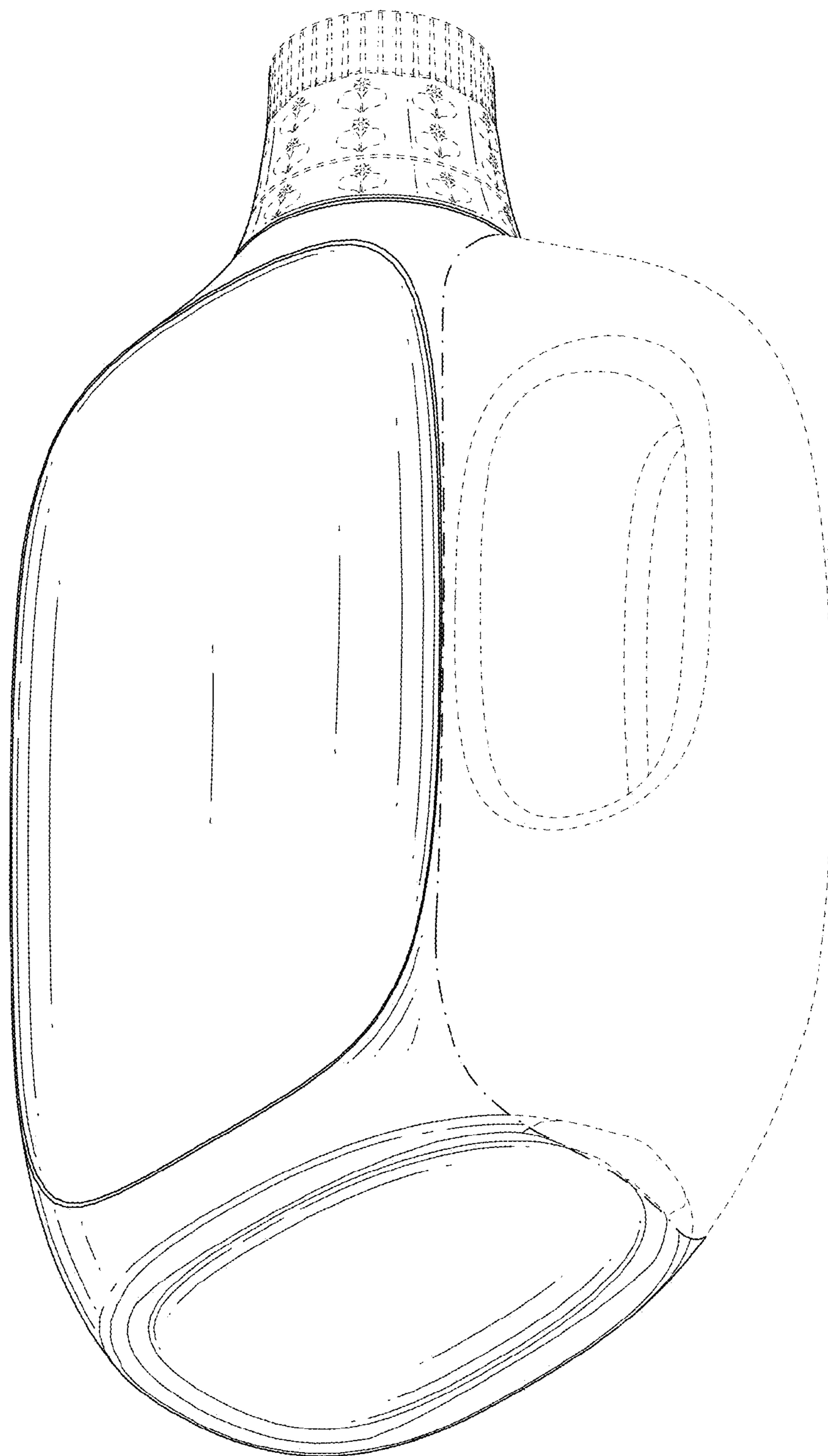


FIG. 7