



US00D749952S

(12) **United States Design Patent**
Meyer

(10) **Patent No.:** **US D749,952 S**
(45) **Date of Patent:** **** Feb. 23, 2016**

(54) **JEWELRY CARD HANGER**

FOREIGN PATENT DOCUMENTS

(71) Applicant: **TARGET BRANDS, INC.**,
Minneapolis, MN (US)

RU 00083207 * 10/2012

(72) Inventor: **Scott A. Meyer**, Waconia, MN (US)

OTHER PUBLICATIONS

(73) Assignee: **Target Brands, Inc.**, Minneapolis, MN
(US)

Packaging for Jewelry [google search]. Site visited Dec. 17, 2015.
Available from Internet URL: https://www.google.com/search?q=Packaging+for+Claire's+Accessories&biw=2021&bih=1114&source=Inms&tbm=isch&sa=X&ved=0ahUKEwiBi8TnkOPJAhUQ2GMKHZBDDyIQ_AUIBygC&dpr=0.95#tbm=isch&q=Packaging+for+Jewelry.*

(**) Term: **14 Years**

(Continued)

(21) Appl. No.: **29/516,052**

Primary Examiner — Sheryl Lane

(22) Filed: **Jan. 29, 2015**

Assistant Examiner — Catherine Posthauer

(51) **LOC (10) Cl.** **09-03**

(74) *Attorney, Agent, or Firm* — Griffiths & Seaton PLLC;
JoAnn M. Seaton

(52) **U.S. Cl.**

(57) **CLAIM**

USPC **D9/457**; D9/414; D9/415; D20/40

The ornamental design for a jewelry card hanger, as shown and described.

(58) **Field of Classification Search**

DESCRIPTION

USPC D3/203.1–203.4, 211, 207, 904;
D7/213, 359, 387, 614, 615;

D9/414–418, 423, 435, 443, 448, 449,

D9/450, 439, 457, 652, 685, 686, 701, 722,

D9/732, 739, 756, 759; D19/1–12, 20–34;

D20/27, 40; D23/226, 368; D24/27,

D24/34, 99, 107; D27/173, 174;

40/124.01–124.13, 538, 584, 641,

40/642.02, 672, 673; 206/208, 210, 228,

206/232, 301, 352, 387.11, 471, 536, 540;

220/4.22–4.23, 23.88, 353–360

CPC B65D 5/00; B65D 5/001; B65D 5/0015;

B65D 5/0254; B65D 5/0045; B65D 5/18;

B65D 5/2033; B65D 5/38; B65D 5/40;

B65D 1/225; B65D 1/24; B65D 1/34; B65D

1/38

See application file for complete search history.

FIG. 1 is a front perspective view of a jewelry card hanger showing our new design;

FIG. 2 is a front view thereof, the rear view being a mirror image of the front view;

FIG. 3 is a right side view thereof, the left side view being a mirror image of the right side view;

FIG. 4 is a top view thereof; and

FIG. 5 is a bottom view thereof.

FIG. 6 is a front perspective view of the jewelry card hanger of FIG. 1 shown with additional, unclaimed environmental subject matter;

FIG. 7 is a front view thereof, the rear view being a mirror image of the front view;

FIG. 8 is a right side view thereof, the left side view being a mirror image of the right side view;

FIG. 9 is a top view thereof; and

FIG. 10 is a bottom view thereof; and,

FIG. 11 is a front perspective view of the jewelry card hanger of FIG. 1 shown with additional, unclaimed environmental subject matter. The dash-dash broken lines represent environmental subject matter and form no part of the claimed design.

The dot-dash broken lines represent the boundaries of the claim and form no part thereof.

(56) **References Cited**

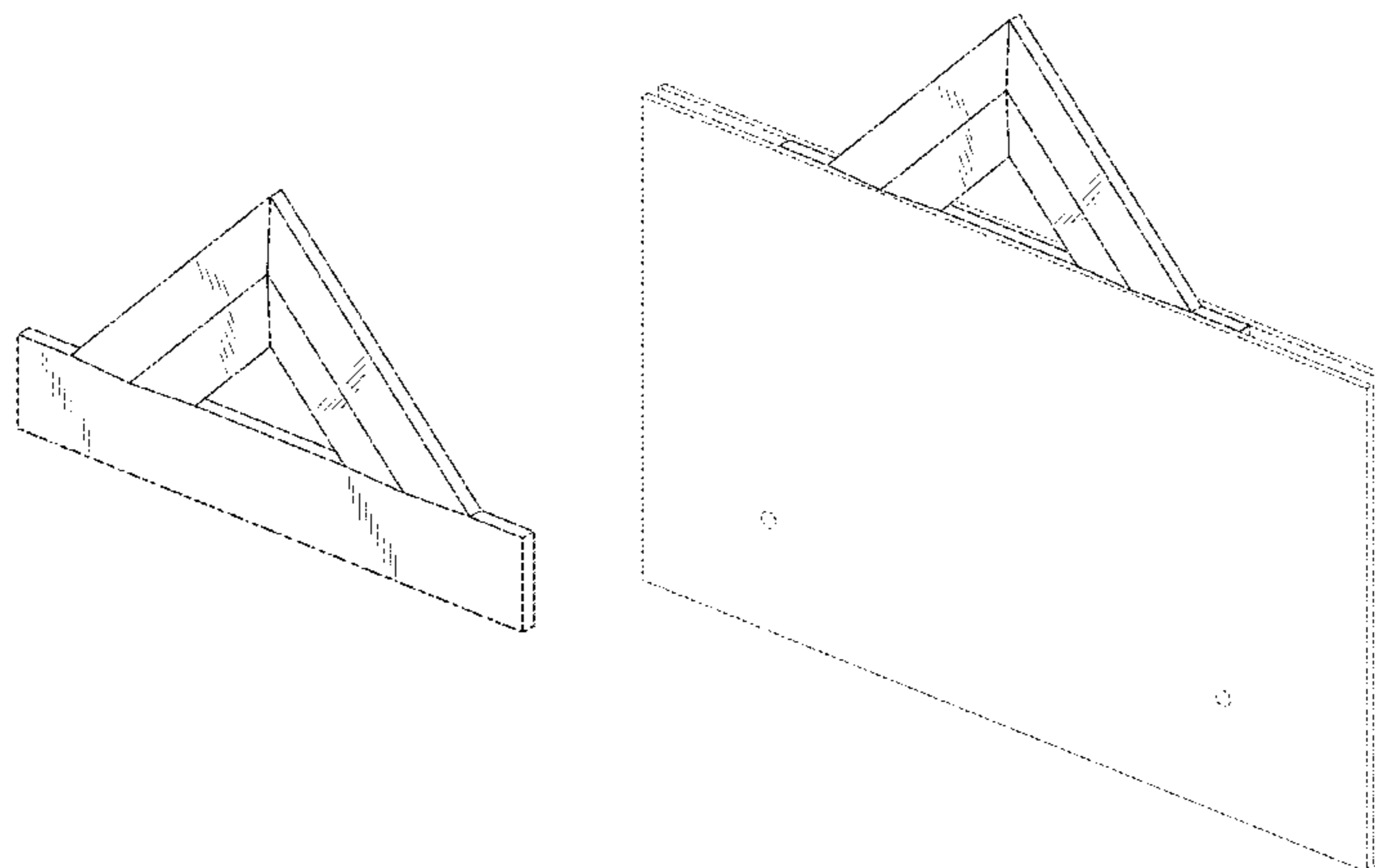
U.S. PATENT DOCUMENTS

3,847,282 A 11/1974 Collura et al.

D249,240 S * 9/1978 Klitzner D3/271.6

(Continued)

1 Claim, 6 Drawing Sheets



(56)

References Cited

U.S. PATENT DOCUMENTS

| | | | | |
|-----------|-----|---------|-----------------|-----------------------|
| 4,240,543 | A | 12/1980 | McKee | |
| 4,401,219 | A | 8/1983 | Mink | |
| 4,462,175 | A | 7/1984 | Romberger | |
| D339,013 | S * | 9/1993 | Wright | D19/91 |
| 5,628,396 | A * | 5/1997 | Weiner | B65D 5/029 206/216 |
| D386,411 | S | 11/1997 | VanFleet | |
| 5,699,901 | A | 12/1997 | Cohen | |
| D412,116 | S * | 7/1999 | DuCorday | D9/434 |
| D418,171 | S | 12/1999 | Robinson et al. | |
| D418,412 | S * | 1/2000 | Komatsu | D9/433 |
| 6,073,758 | A | 6/2000 | Webster et al. | |
| D449,859 | S | 10/2001 | Witteveen | |
| 7,015,815 | B1 | 3/2006 | Feibelman | |
| 7,143,892 | B2 | 12/2006 | Kolton et al. | |
| D544,792 | S * | 6/2007 | Camarella | D9/434 |
| D559,679 | S * | 1/2008 | Findon | D9/434 |
| D652,300 | S * | 1/2012 | Anderson | D9/434 |
| D658,060 | S * | 4/2012 | Anderson | D20/22 |
| D661,585 | S * | 6/2012 | Anderson | D20/22 |
| D662,418 | S * | 6/2012 | Anderson | D20/22 |
| D666,087 | S * | 8/2012 | Anderson | D9/415 |
| D669,347 | S * | 10/2012 | Anderson | D9/415 |
| D675,109 | S * | 1/2013 | Stahl | D9/732 |
| D729,317 | S * | 5/2015 | Wenckus | D20/11 |

OTHER PUBLICATIONS

Jewelry Display Rack [google search]. Site visited Dec. 17, 2015. Available from Internet URL: <https://www.google.com/search?q=Packaging+for+Claire's+Accessories&biw=2021&bih=1114&source=Inms&tbm=isch&sa=X&ved=>

0ahUKEwiBi8TnkOPJAhUQ2GMKHZBDDyIQ_AUIBygC&dpr=0.95#tbm=isch&q=Jewelry+Display+Rack.*

“Cotton wall hanging (S) gradient (2 colors available) (hanger with Tapestry) (Asian goods Thailand gadgets fabric cloth) Yep_100,” printed from http://global.rakuten.com/en/store/magnifique/item/0251992260075/?s-id=borderless_recommend_item_en, publicly available at least as early as Jun. 23, 2012 (6 pages).

Moore, Haley, “I Actually Think Girls Might Not Have a STEM Allergy,” printed from <http://blog.toenolla.com/category/laser-printcess/>, Apr. 18, 2013 (31 pages).

“Roomsafari Triangle Hanger,” printed from www.odetothings.com/shop/roomsafari-triangle-hanger, publicly available at least as early as Aug. 19, 2014, per <http://web.archive.org> (2 pages).

“50X Black Paper Statement Necklac Dangle Earring Stud Ring Display Hanging Card,” printed from www.ebay.com/itm/50X-Black-Paper-Statement-Necklac-Dangle...ing-Card-/191328901919?pt=LH_DefaultDomain_0&hash=item2c8c175b1f, publicly available at least as early as Jan. 15, 2015 (3 pages).

“100 Necklace/Bracelet Jewelry Display Cards (12 Holes) 9.9x4cm,” printed from www.ebay.com/itm/100-Necklace-Bracelet-Jewelry-Display-Ca...-9-9x4cm-/131119045446?pt=LH_DefaultDomain_2&hash=item1e874ddb46, publicly available at least as early as Jan. 15, 2015 (5 pages).

“New 1 EARRING Holder ROTATING Jewelry Display Stands REVOLVING 100 Cards,” printed from www.etsy.com/listing/173472989/new-1-earring-holder-rotating-jewelry?ref=market, publicly available at least as early as Jan. 19, 2015 (2 pages).

“Triangular Hanger,” printed from www.sketchprojects.com/index.php?sec=disenador&sub=disenoficha&id=54 Page 1 of, publicly available at least as early as Jan. 19, 2015 (1 page).

* cited by examiner

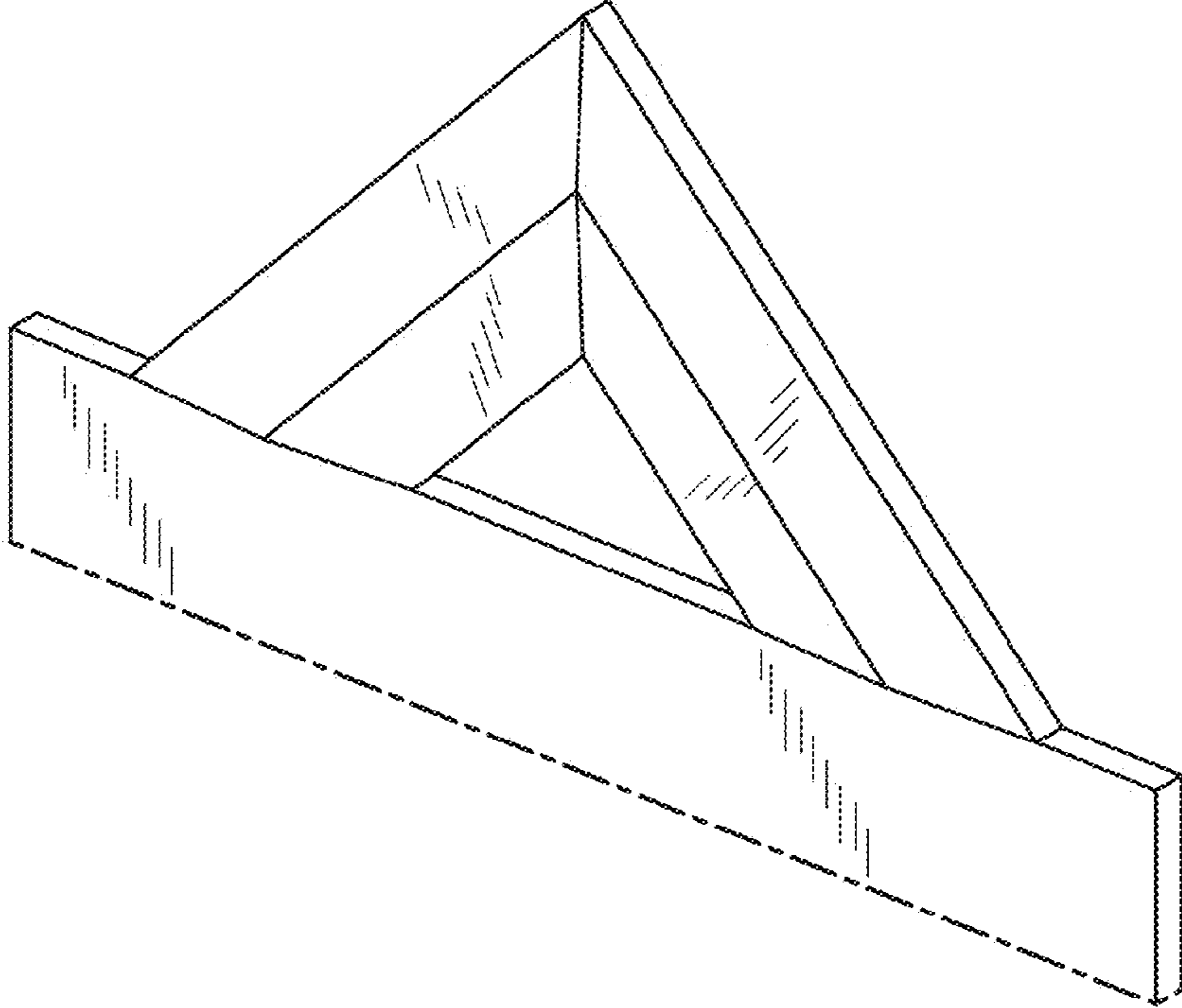


FIG. 1

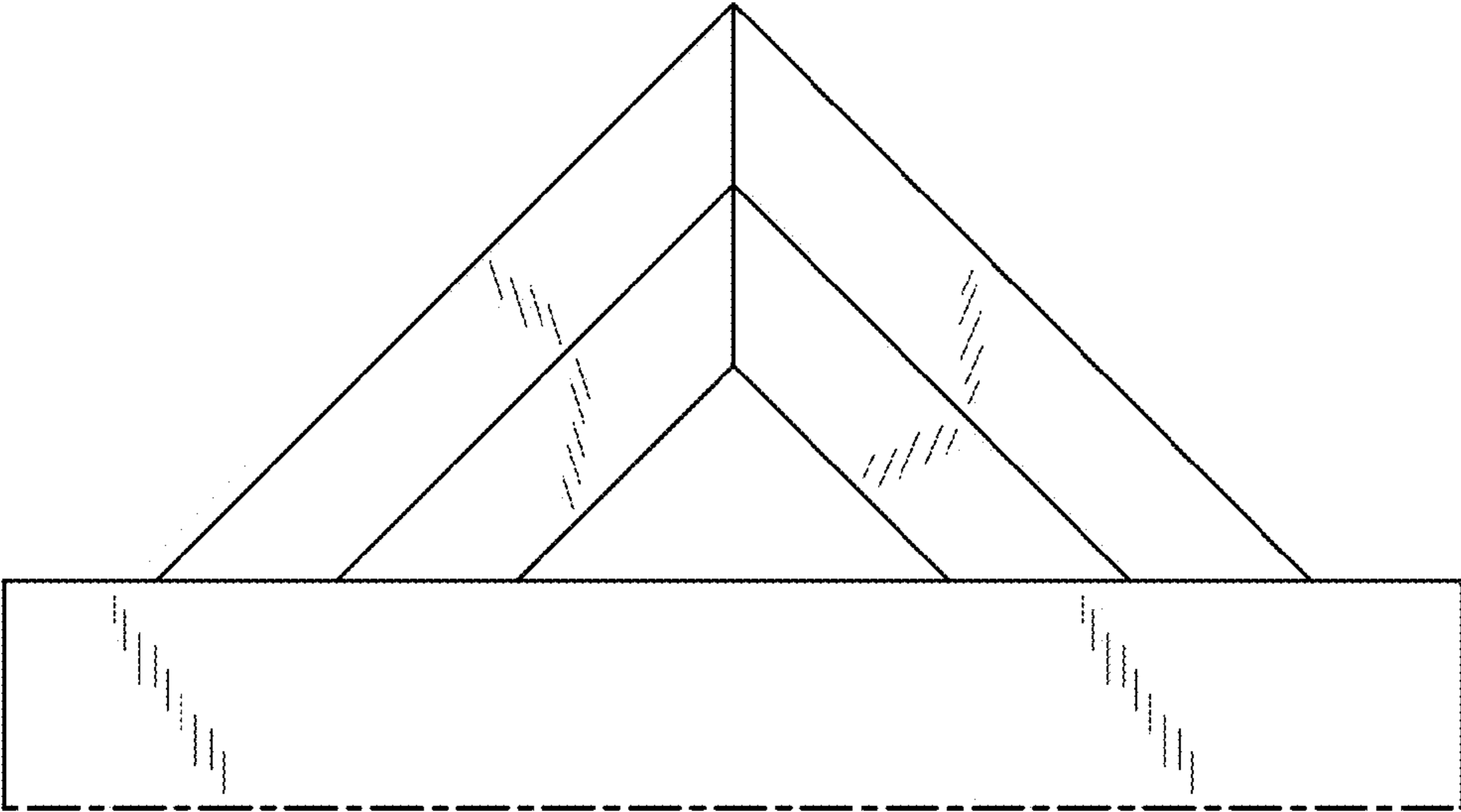


FIG. 2



FIG. 3

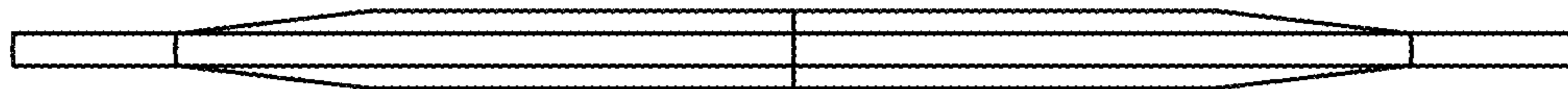


FIG. 4

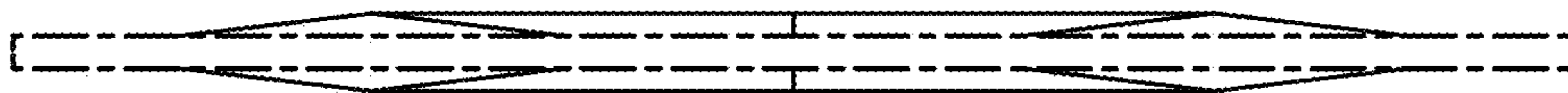


FIG. 5

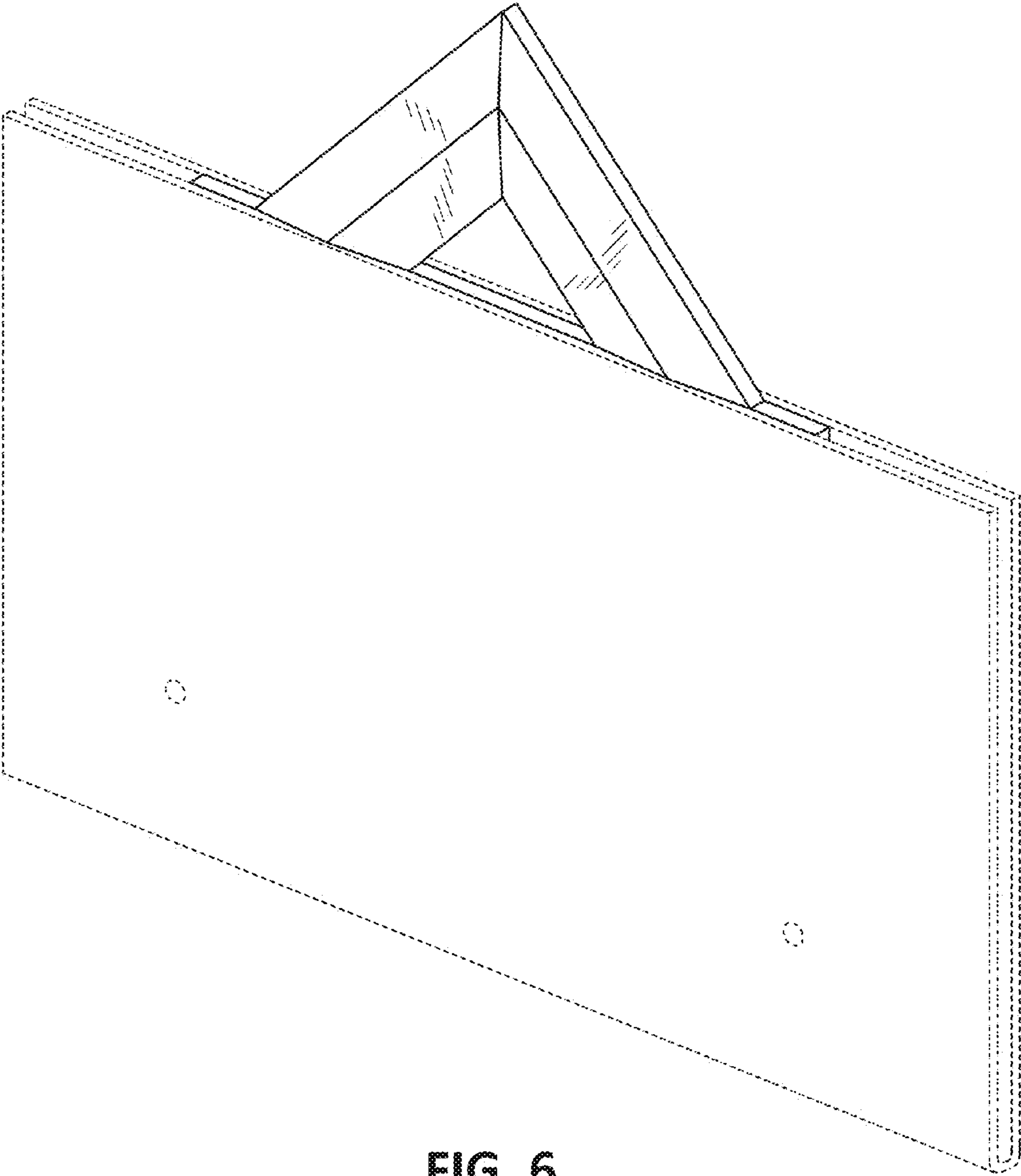


FIG. 6

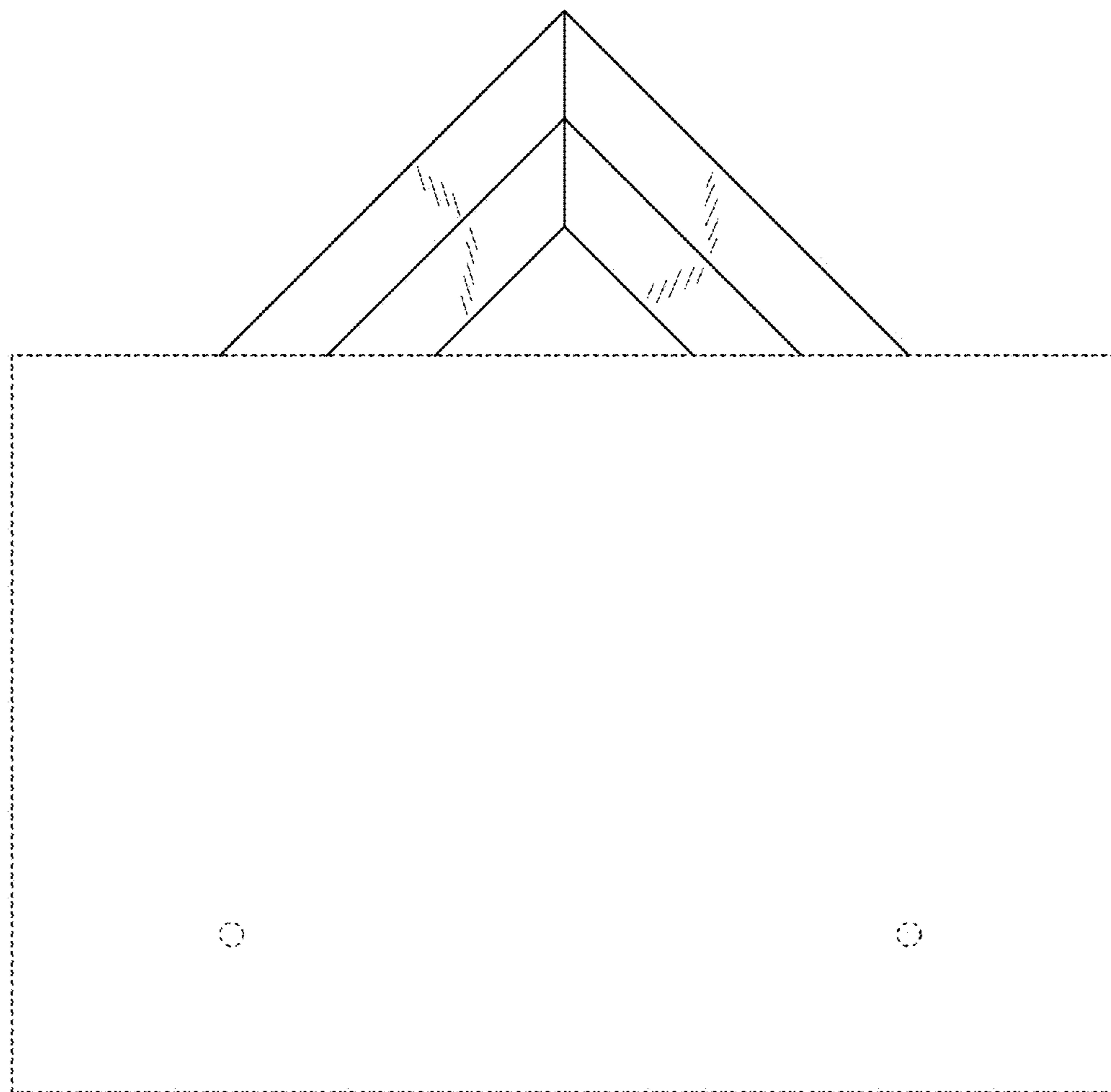


FIG. 7

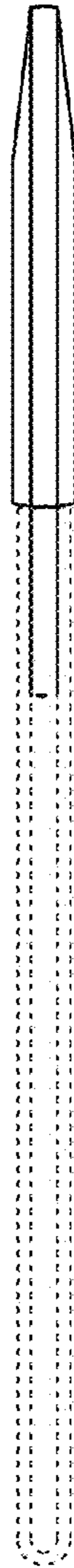


FIG. 8

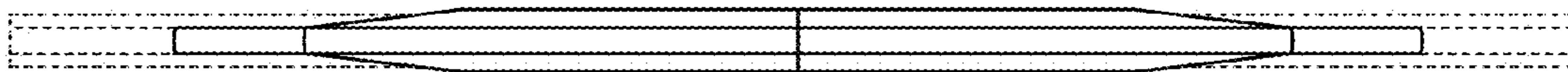


FIG. 9

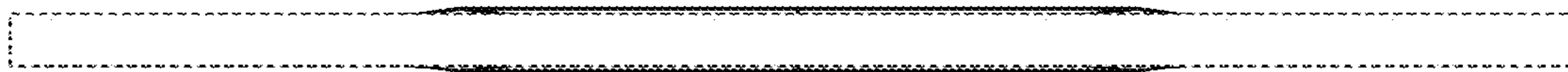


FIG. 10

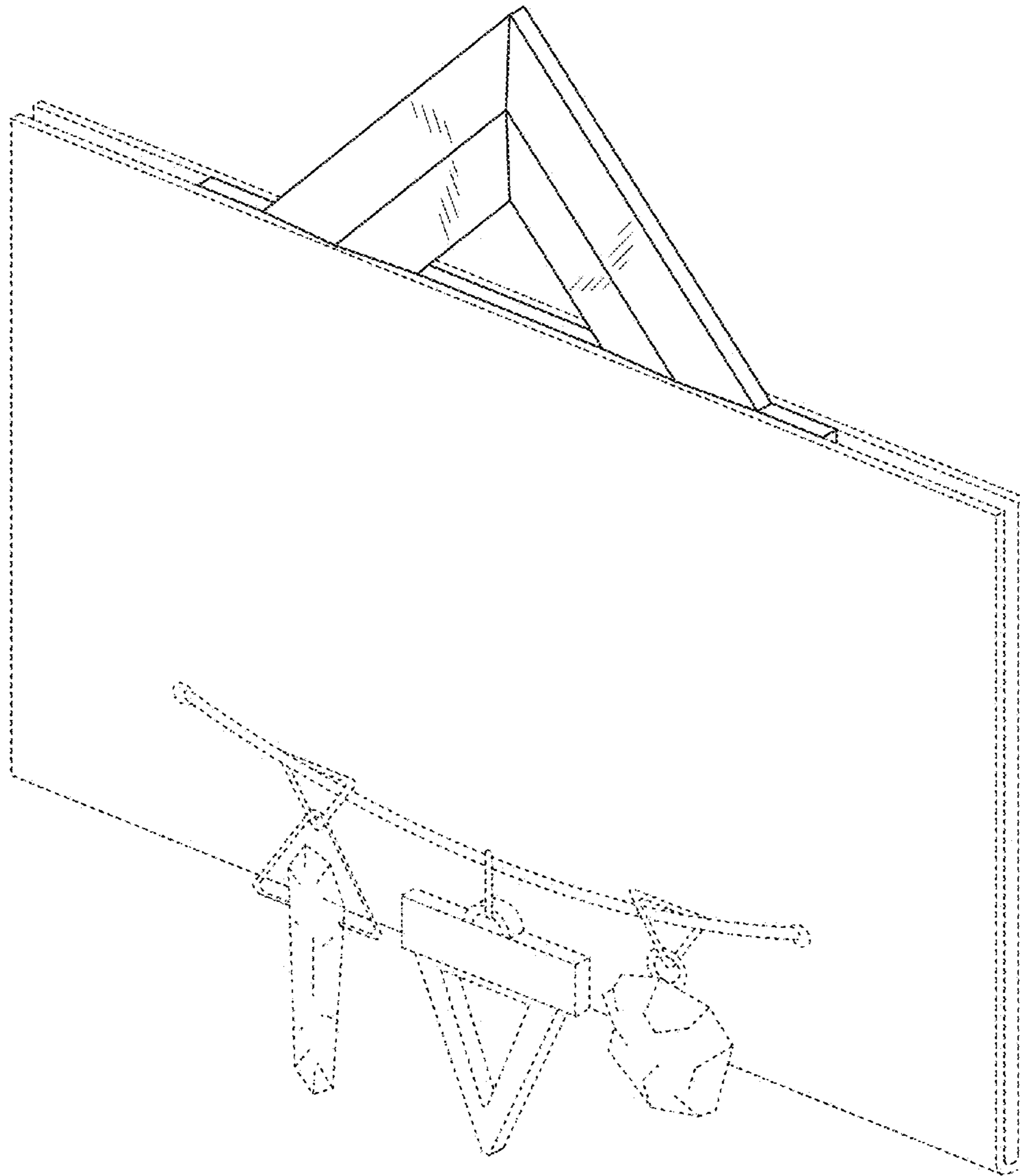


FIG. 11