



US00D749951S

(12) **United States Design Patent**  
**Sims et al.**

(10) **Patent No.:** **US D749,951 S**

(45) **Date of Patent:** **\*\* Feb. 23, 2016**

(54) **SHAVE PREPARATION CONTAINER**

(56) **References Cited**

(71) Applicant: **The Gillette Company**, Boston, MA  
(US)

U.S. PATENT DOCUMENTS

(72) Inventors: **Daniel Jerome Sims**, Brookline, MA  
(US); **Brian Patrick Watson**, Albion, RI  
(US); **Jeff Doral Hinkle**, Cincinnati, OH  
(US)

D236,684	S	*	9/1975	Hebblethwaite	.....	D9/690
5,503,303	A	*	4/1996	LaWare	.....	B65D 83/205 222/153.12
D388,320	S	*	12/1997	Lamb	.....	D9/435
D490,300	S	*	5/2004	Costa	.....	D9/690
D527,630	S	*	9/2006	McConville	.....	D9/448
D543,316	S	*	5/2007	Hadtke	.....	D28/66
D579,342	S	*	10/2008	Claughton	.....	D9/688
D580,776	S	*	11/2008	Claughton	.....	D9/688

(73) Assignee: **The Gillette Company**, Boston, MA  
(US)

(Continued)

(\*\*) Term: **14 Years**

OTHER PUBLICATIONS

(21) Appl. No.: **29/495,903**

Gillette Fusion ProGlide Sensitive 2 in 1 Shave Gel: Announced Jan. 19, 2015 [online], site visited Oct. 15, 2015. Available from Internet URL: <http://www.target.com/p/gillette-fusion-proglide-sensitive-2-in-1-shave-gel-ocean-breeze-6oz/-/A-16731159>.\*

(22) Filed: **Jul. 7, 2014**

(Continued)

(51) **LOC (10) Cl.** ..... **09-07**

(52) **U.S. Cl.**  
USPC ..... **D9/449**; D9/448; D9/685; D9/686;  
D9/689

*Primary Examiner* — Thomas Johannes  
*Assistant Examiner* — Catherine Posthauer  
(74) *Attorney, Agent, or Firm* — Ronald Terk Sia; Kevin C. Johnson; Steven W. Miller

(58) **Field of Classification Search**  
USPC ..... D3/211, 207; D6/542, 543, 544, 545;  
D7/213, 387; D9/414–418, 423, 435,  
D9/443, 448, 449, 450, 439, 457, 500–503,  
D9/516–520, 521, 526, 529, 545, 549–575,  
D9/682–694, 715, 719, 739, 759, 763,  
D9/772–783; 215/379, 382; 220/662, 665,  
220/669–675, 915; 222/153.01, 153.04,  
222/153.09, 153.1, 153.12, 153.13, 153.14,  
222/207, 321.1–322, 325–327, 372, 378,  
222/379, 382, 383.1, 398, 400.7, 631, 635  
CPC ..... B05B 3/00; B05B 7/00; B05B 7/24;  
B05B 11/3005; B05B 11/3052; B05B  
11/3056; B05B 11/3057; B05B 12/00

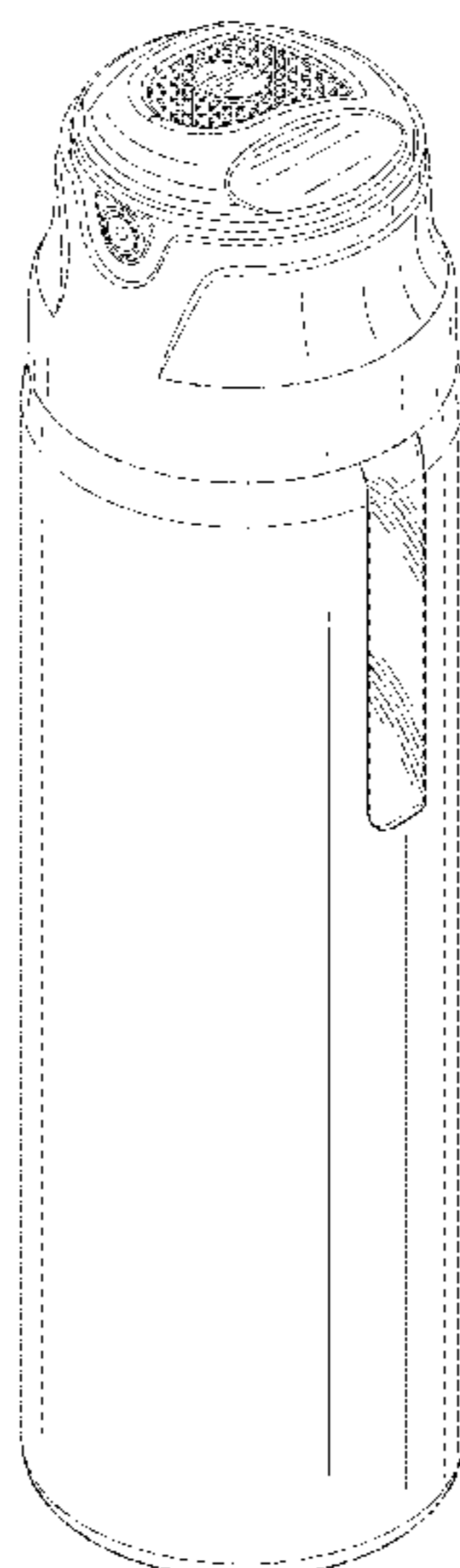
(57) **CLAIM**  
The ornamental design for a shave preparation container, as shown and described.

**DESCRIPTION**

FIG. 1 is a perspective view of a shave preparation container; FIG. 2 is a front view thereof; FIG. 3 is a back view thereof; FIG. 4 is a right side view thereof; FIG. 5 is a left side view thereof; FIG. 6 is a top plan view thereof; and, FIG. 7 is a bottom plan view thereof. The broken lines on FIG. 5 are shown for the purpose of illustrating portions of the shave preparation container that form no part of the claimed design.

See application file for complete search history.

**1 Claim, 4 Drawing Sheets**



(56)

**References Cited**

U.S. PATENT DOCUMENTS

D581,270 S \* 11/2008 Gonzalez ..... D9/448  
D608,655 S \* 1/2010 Brewer ..... D9/689  
D634,212 S \* 3/2011 Kruetzkamp ..... D9/690  
D636,683 S \* 4/2011 Floyd ..... D9/688  
D690,604 S \* 10/2013 Seng ..... D9/690  
D697,424 S \* 1/2014 Adams ..... B65D 83/205  
D9/445  
D700,060 S \* 2/2014 Trevisan ..... D9/688  
D700,061 S \* 2/2014 Trevisan ..... D9/688  
D700,802 S \* 3/2014 Miller ..... D7/392.1  
D723,368 S \* 3/2015 Checklin ..... D9/448  
D728,376 S \* 5/2015 Floyd ..... D9/692

D734,151 S \* 7/2015 Herbst ..... D9/448  
D736,633 S \* 8/2015 Bisbikis ..... D9/449  
D736,634 S \* 8/2015 Bisbikis ..... D9/449  
2007/0241134 A1\* 10/2007 Gurrisi ..... B65D 83/384  
222/153.11

OTHER PUBLICATIONS

Fusion Proglide Sensitive Shave Gel: Announced Jan. 21, 2015 [online], site visited Oct. 15, 2015. Available from Internet URL: <http://gillette.com/en-us/products/preandpostshave/shaving-creams-gels-and-foams/fusion-proglide-active-sport-shaving-cream-for-sensitive-skin>.\*

\* cited by examiner

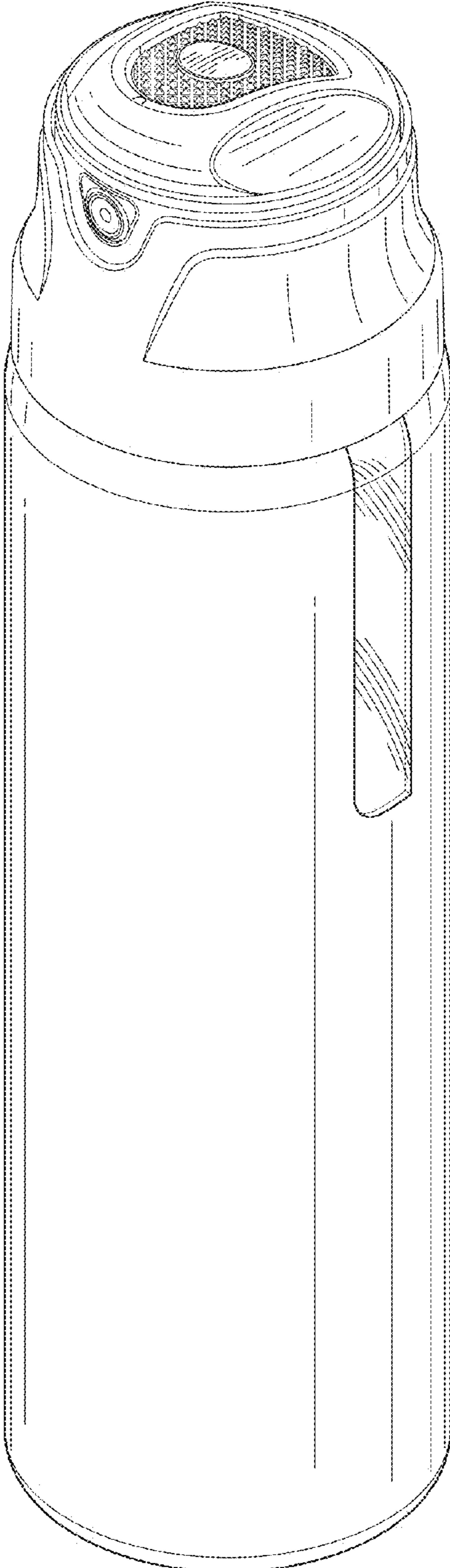


FIG. 1

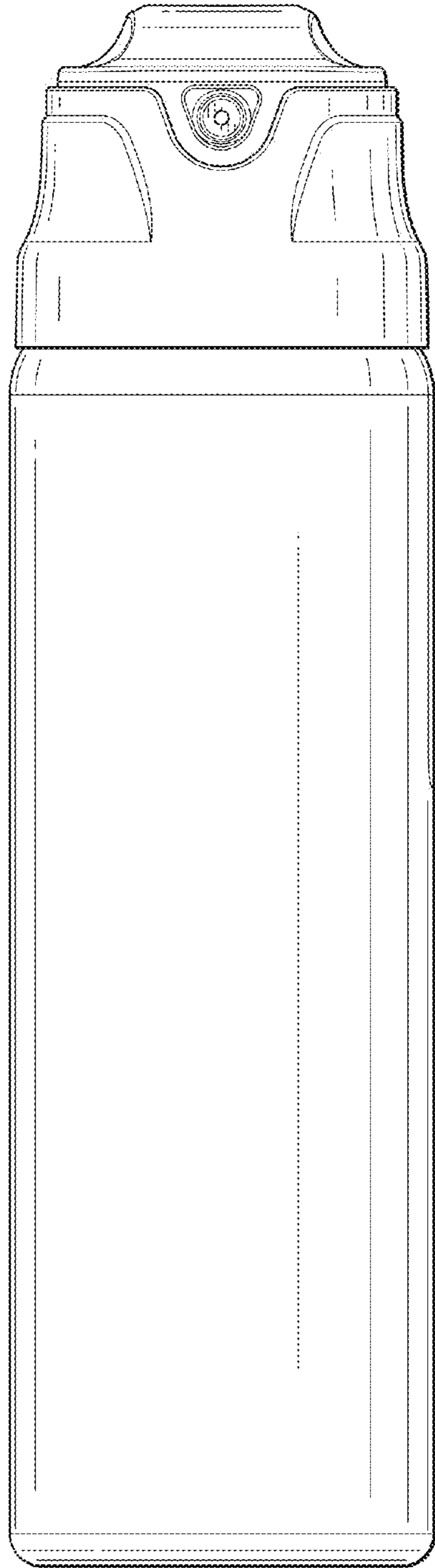


FIG. 2

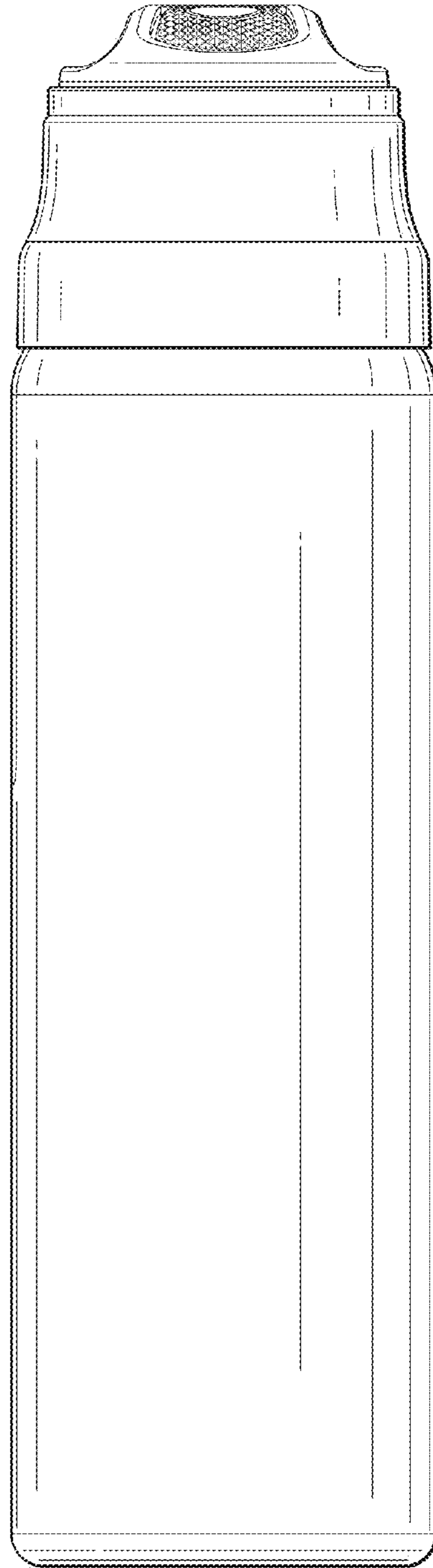


FIG. 3

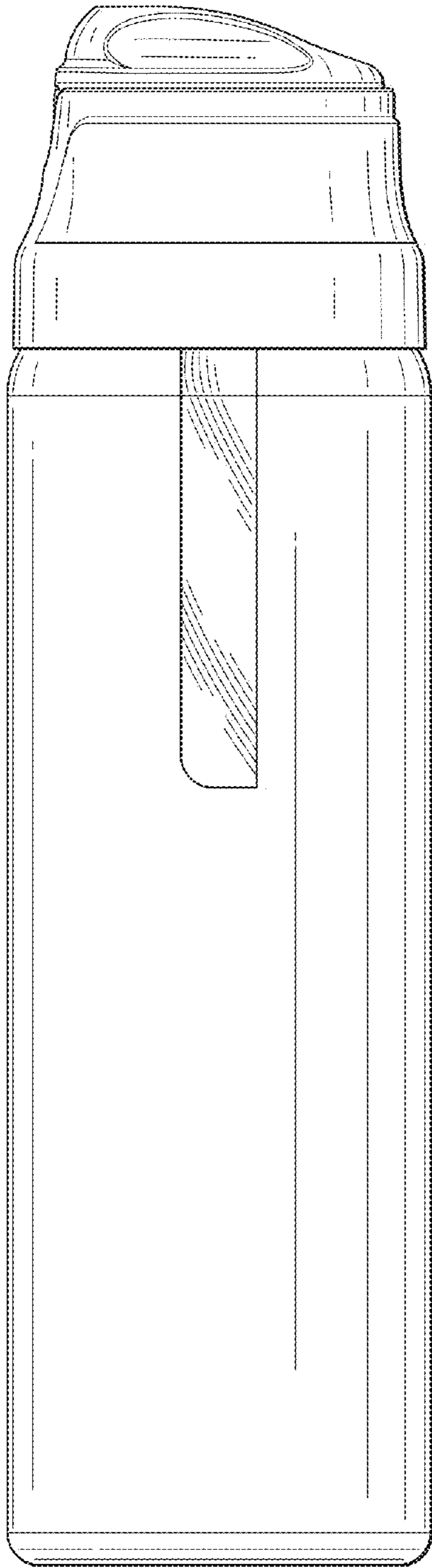


FIG. 4

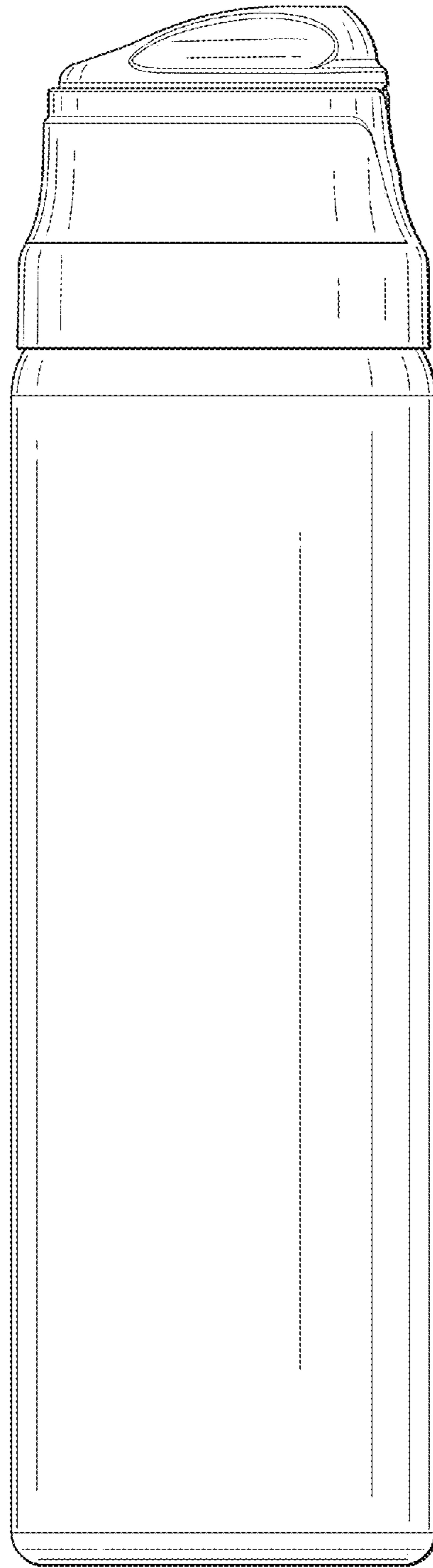


FIG. 5

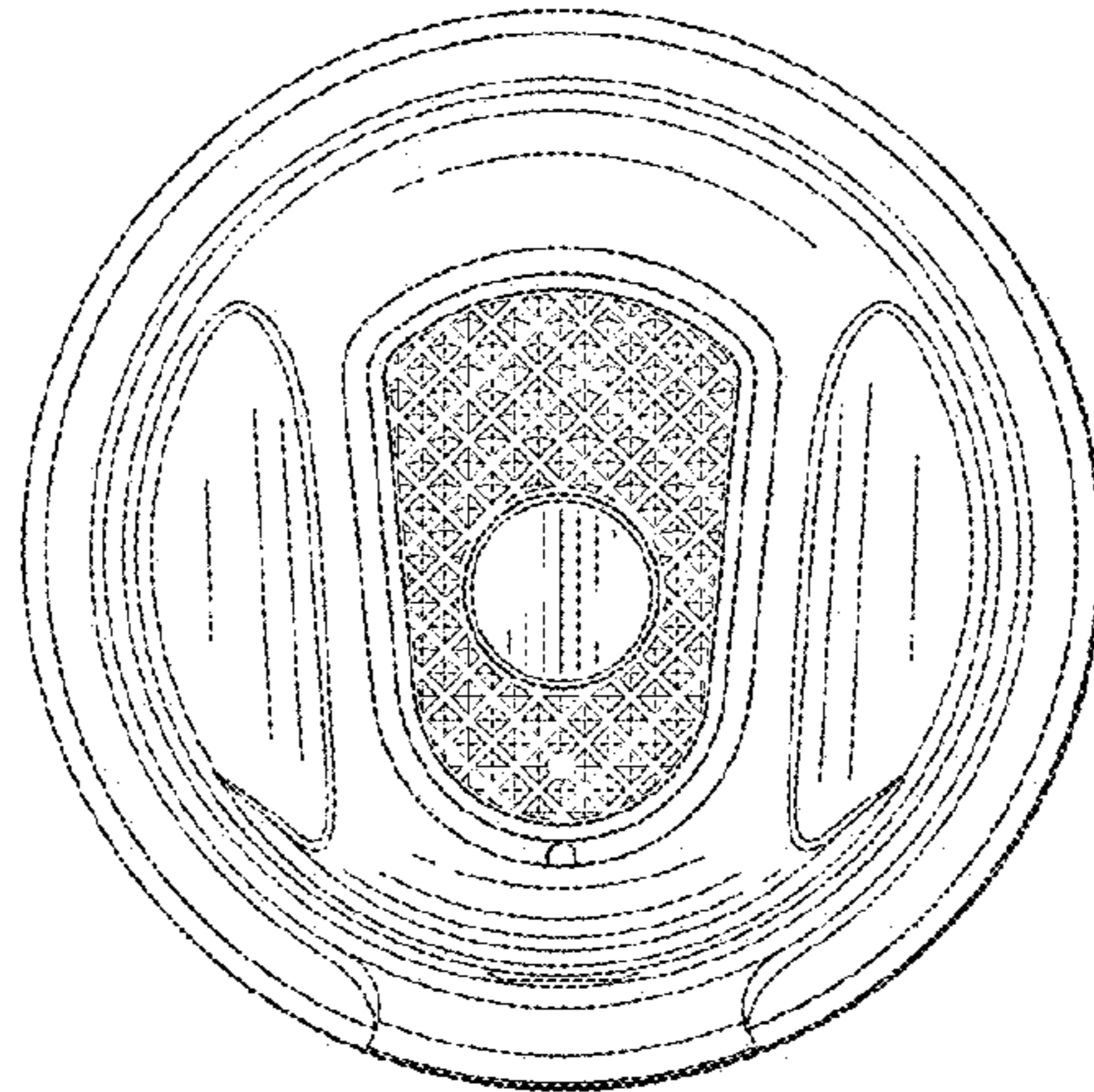


FIG. 6

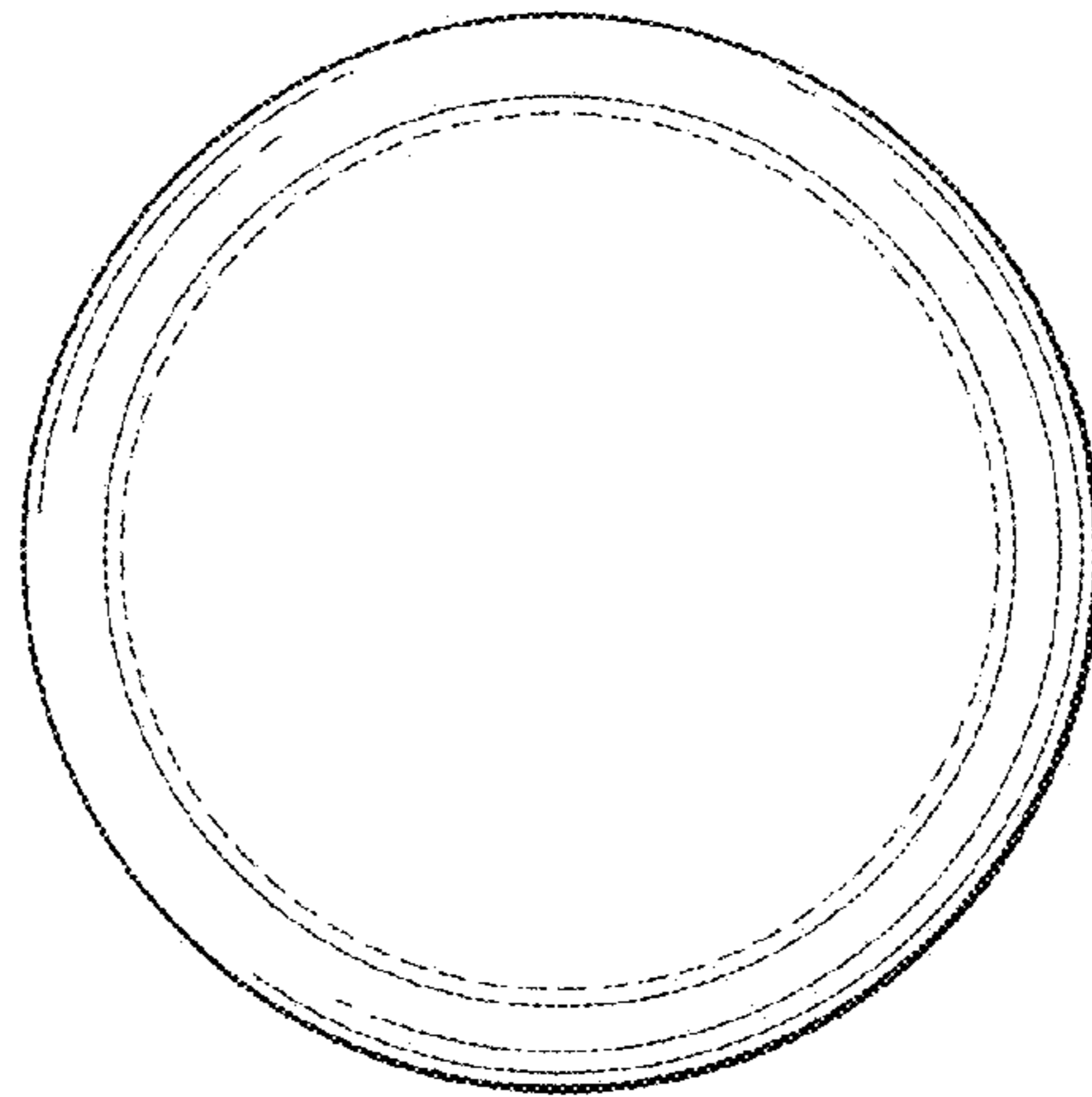


FIG. 7