



US00D749950S

(12) **United States Design Patent**  
**Pellingra et al.**

(10) **Patent No.:** **US D749,950 S**

(45) **Date of Patent:** **\*\* Feb. 23, 2016**

(54) **FLIP TOP CAP**

(71) Applicant: **AMPAC HOLDINGS, LLC,**  
Cincinnati, OH (US)

(72) Inventors: **Salvatore J. Pellingra,** Newport, KY  
(US); **Benjamin M. Davis,** West Chester,  
OH (US)

(73) Assignee: **Ampac Holdings, LLC,** Cincinnati, OH  
(US)

(\*\*) Term: **14 Years**

(21) Appl. No.: **29/481,299**

(22) Filed: **Feb. 4, 2014**

(51) **LOC (10) Cl.** ..... **09-07**

(52) **U.S. Cl.**  
USPC ..... **D9/449**

(58) **Field of Classification Search**  
USPC ..... D7/392, 398; D9/434, 435, 439, 440,  
D9/446-450, 453, 454, 499, 515, 737,  
D9/739; 222/153.02, 153.14, 553, 556,  
222/566, 575; 215/235, 236, 237  
CPC ..... B65D 47/10; B65D 47/065; B65D 47/08  
See application file for complete search history.

(56) **References Cited**

U.S. PATENT DOCUMENTS

D254,899	S	*	5/1980	Tada	.....	D9/448
4,254,889	A	*	3/1981	Jacobs	.....	220/234
5,273,172	A	*	12/1993	Rossbach et al.	.....	215/229
D370,630	S	*	6/1996	Robbins, III	.....	D9/449
D371,297	S	*	7/1996	Robbins, III	.....	D9/436
D398,813	S	*	9/1998	Franzese	.....	D7/396.2

D457,384	S	*	5/2002	Randolph	.....	D7/392.1
D462,806	S	*	9/2002	Draghetti	.....	D27/189
D529,380	S	*	10/2006	Yelland	.....	D9/447
7,156,228	B2	*	1/2007	Brizzi et al.	.....	206/268
D677,158	S	*	3/2013	Delaney et al.	.....	D9/449
2012/0000944	A1	*	1/2012	Romanov et al.	.....	222/556

\* cited by examiner

*Primary Examiner* — Robert M Spear

(74) *Attorney, Agent, or Firm* — Perman & Green, LLP

(57) **CLAIM**

The ornamental design for a flip top cap, as shown and described.

**DESCRIPTION**

FIG. 1 is a front perspective view of a flip top cap affixed to a pouch in accordance with the present invention;  
 FIG. 2 is a top elevation view of the flip top cap of FIG. 1;  
 FIG. 3 is a front elevation view of the flip top cap of FIG. 1;  
 FIG. 4 is a right side elevation view of the flip top cap of FIG. 1;  
 FIG. 5 is a front perspective view of a flip top cap of FIG. 1 with the flip top cap in the open position;  
 FIG. 6 is a front perspective view of a flip top cap affixed to a pouch in accordance with a second embodiment of the present invention;  
 FIG. 7 is a top elevation view of the flip top cap of FIG. 6;  
 FIG. 8 is a front elevation view of the flip top cap of FIG. 6;  
 FIG. 9 is a right side elevation view of the flip top cap of FIG. 6; and,  
 FIG. 10 is a front perspective view of a flip top cap of FIG. 6 with the flip top cap in the open position.  
 The portions of FIG. 1 through FIG. 10 that are shown in broken lines are unclaimed environmental subject matter only and form no part of the claimed design.

**1 Claim, 10 Drawing Sheets**

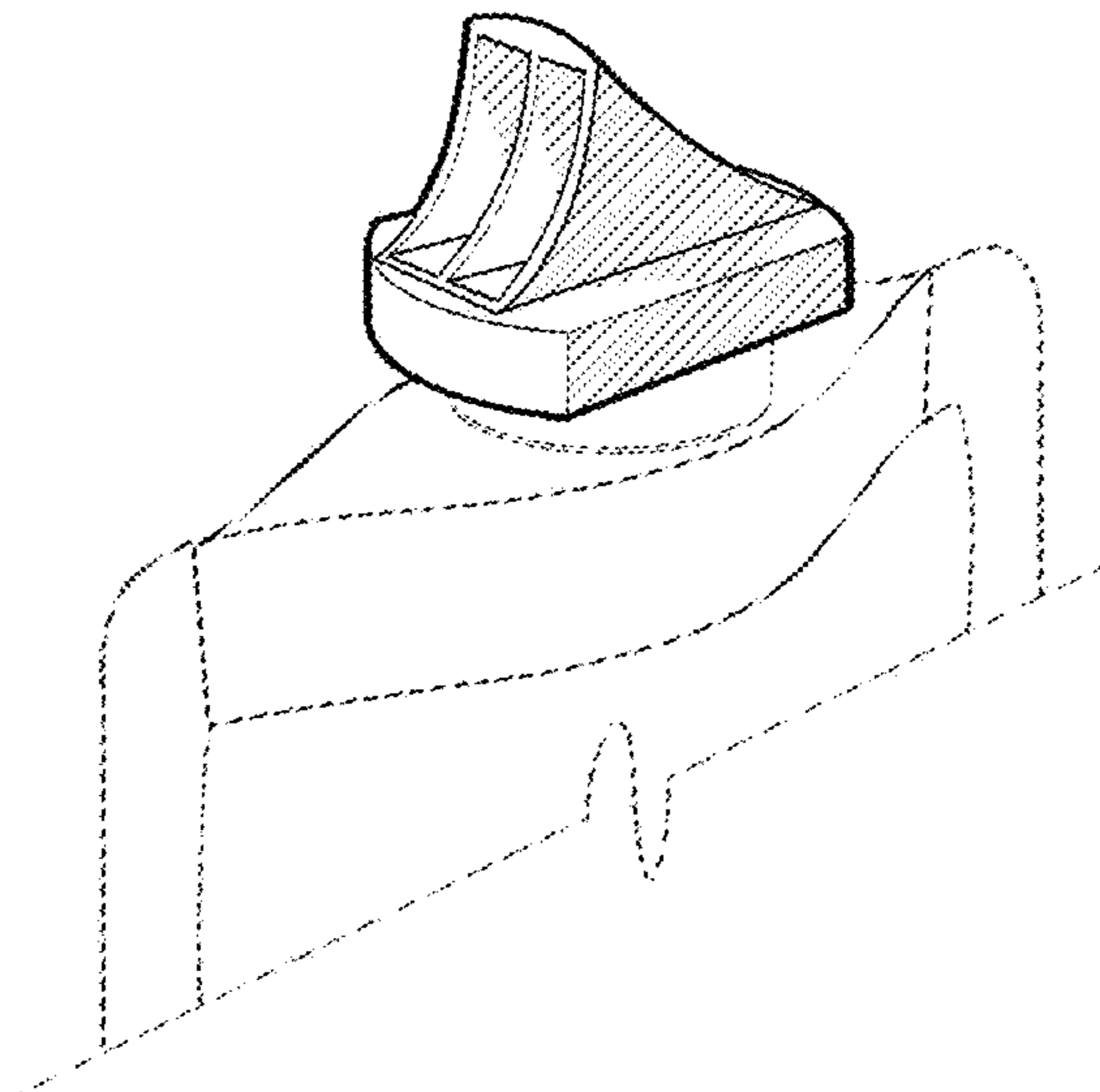
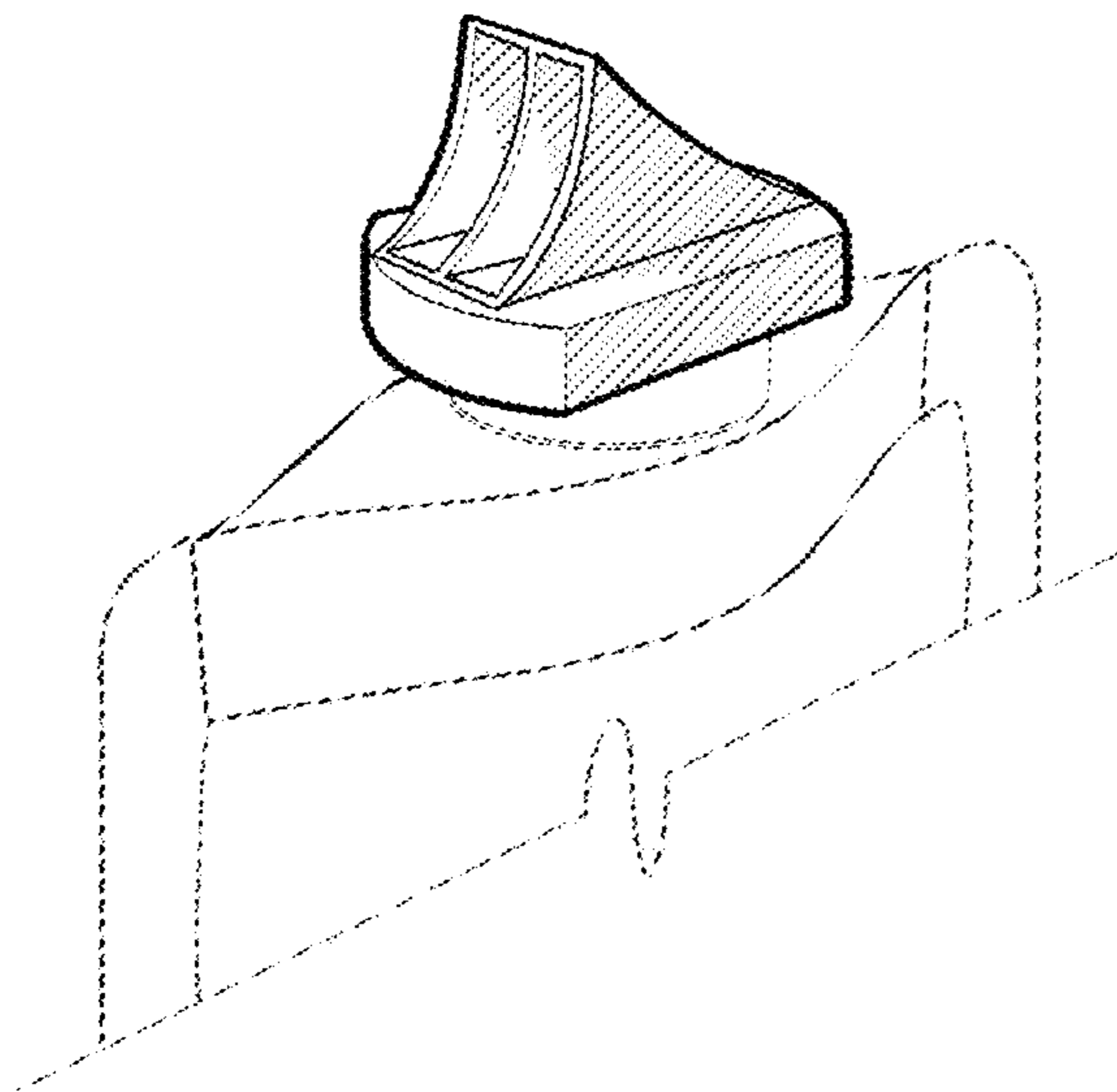


FIG. 1

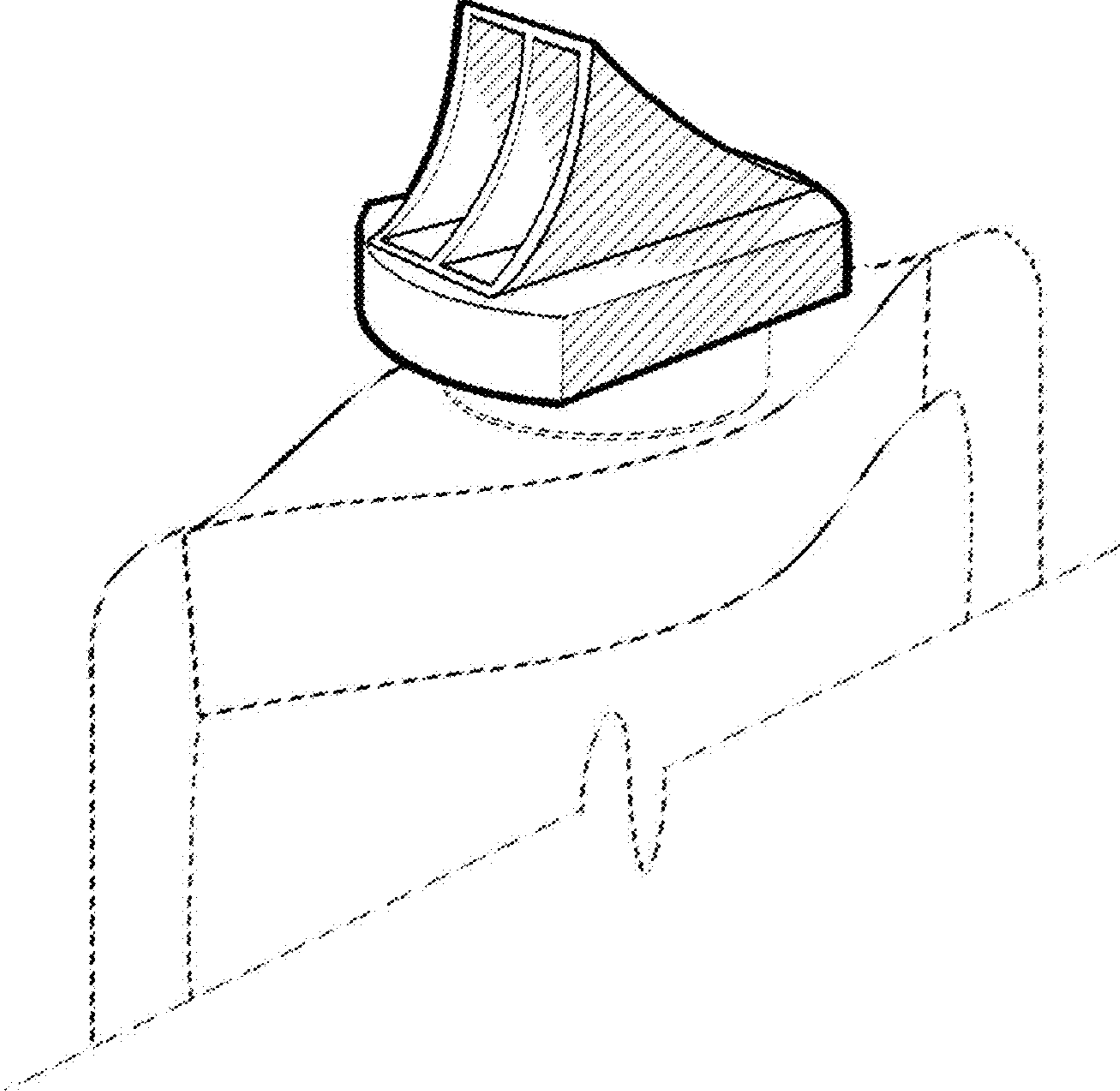


FIG. 2

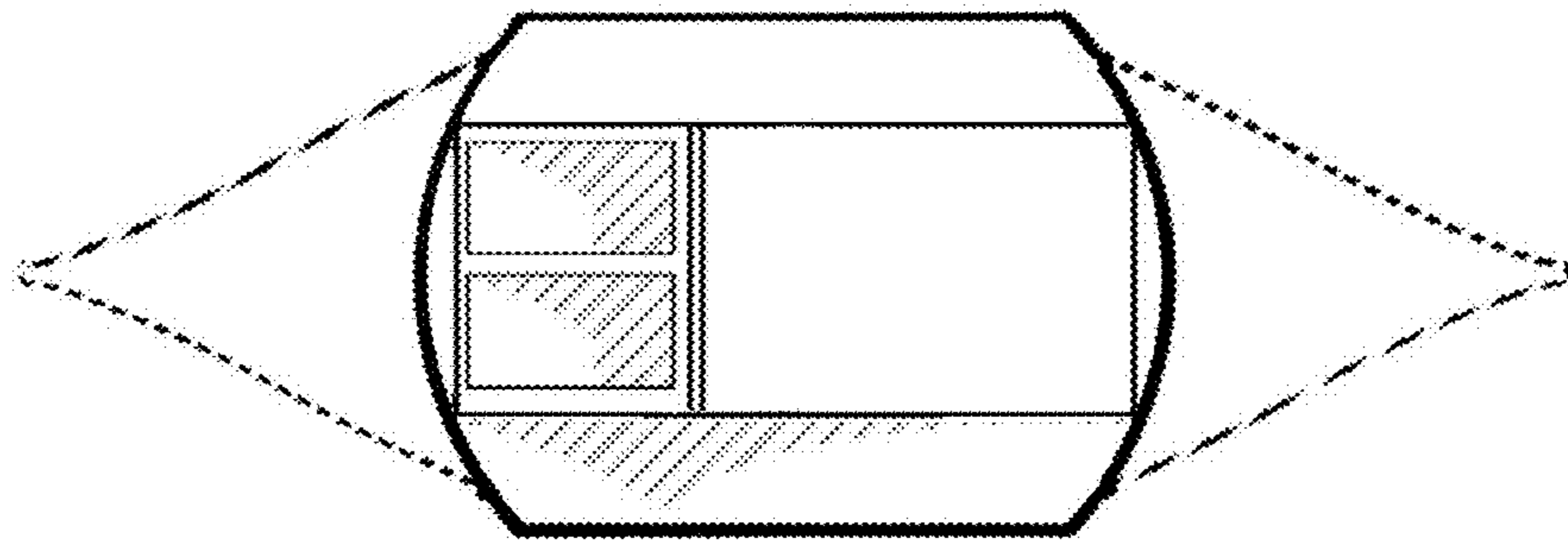


FIG. 3

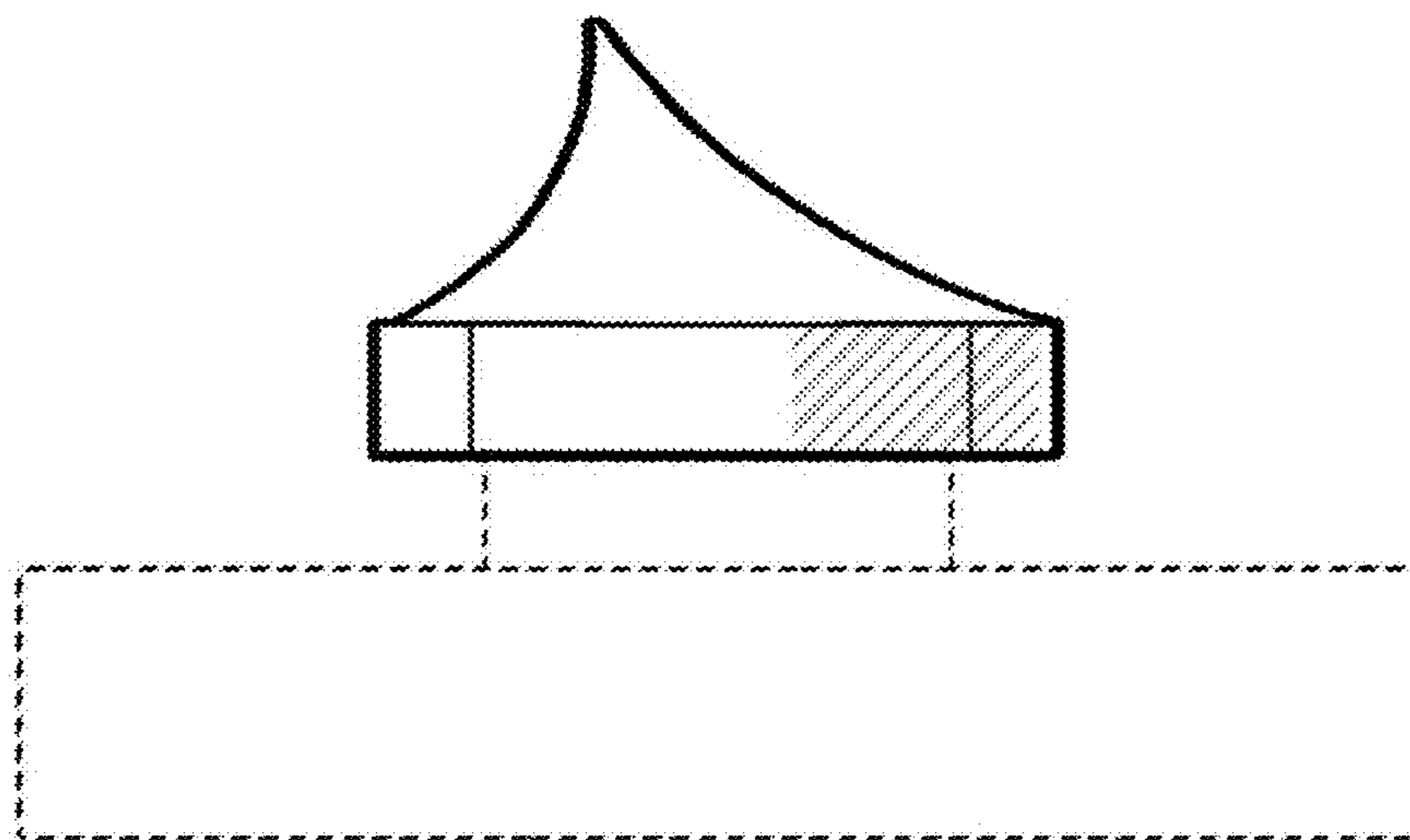


FIG. 4

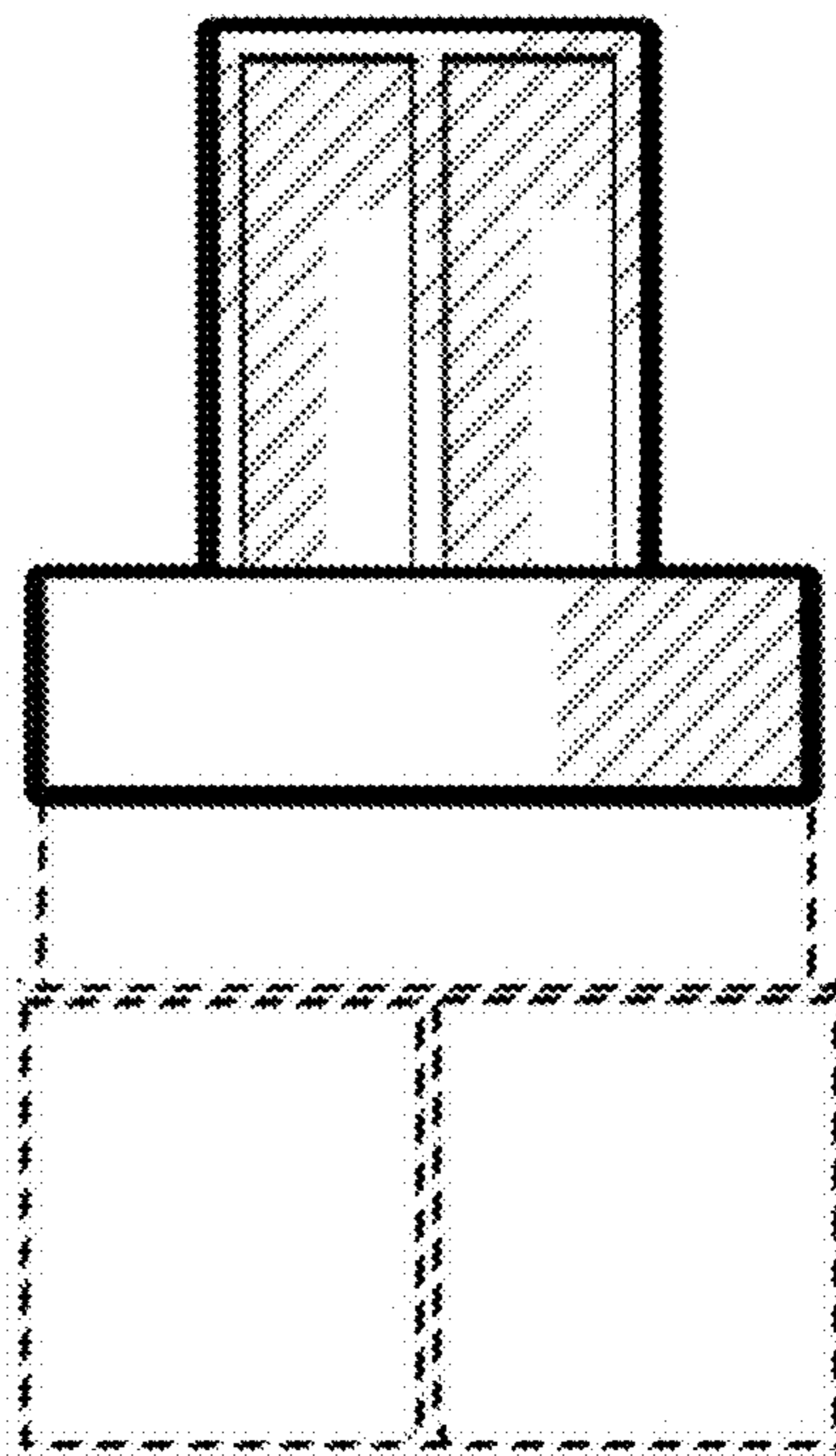


FIG. 5

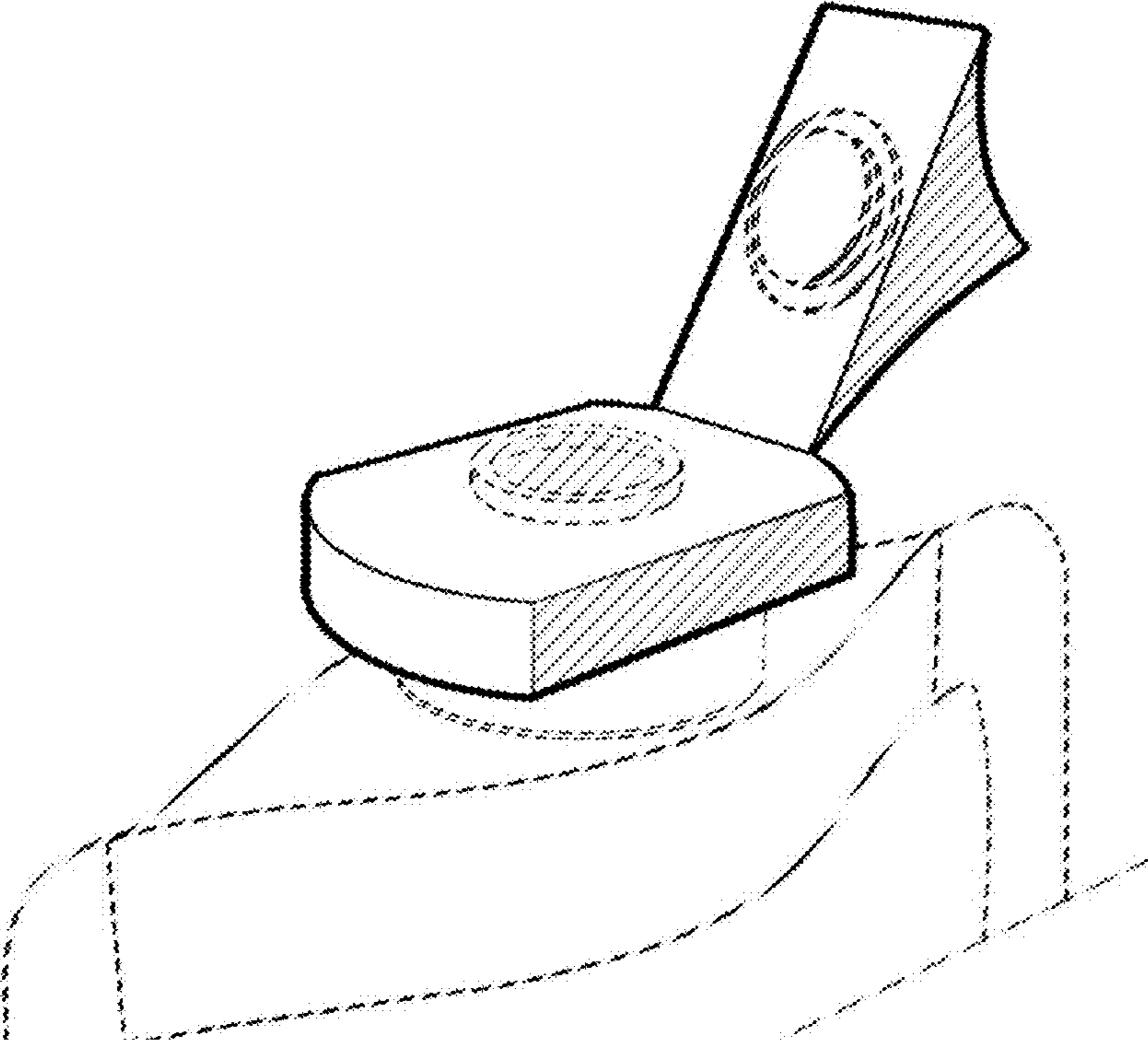


FIG. 6

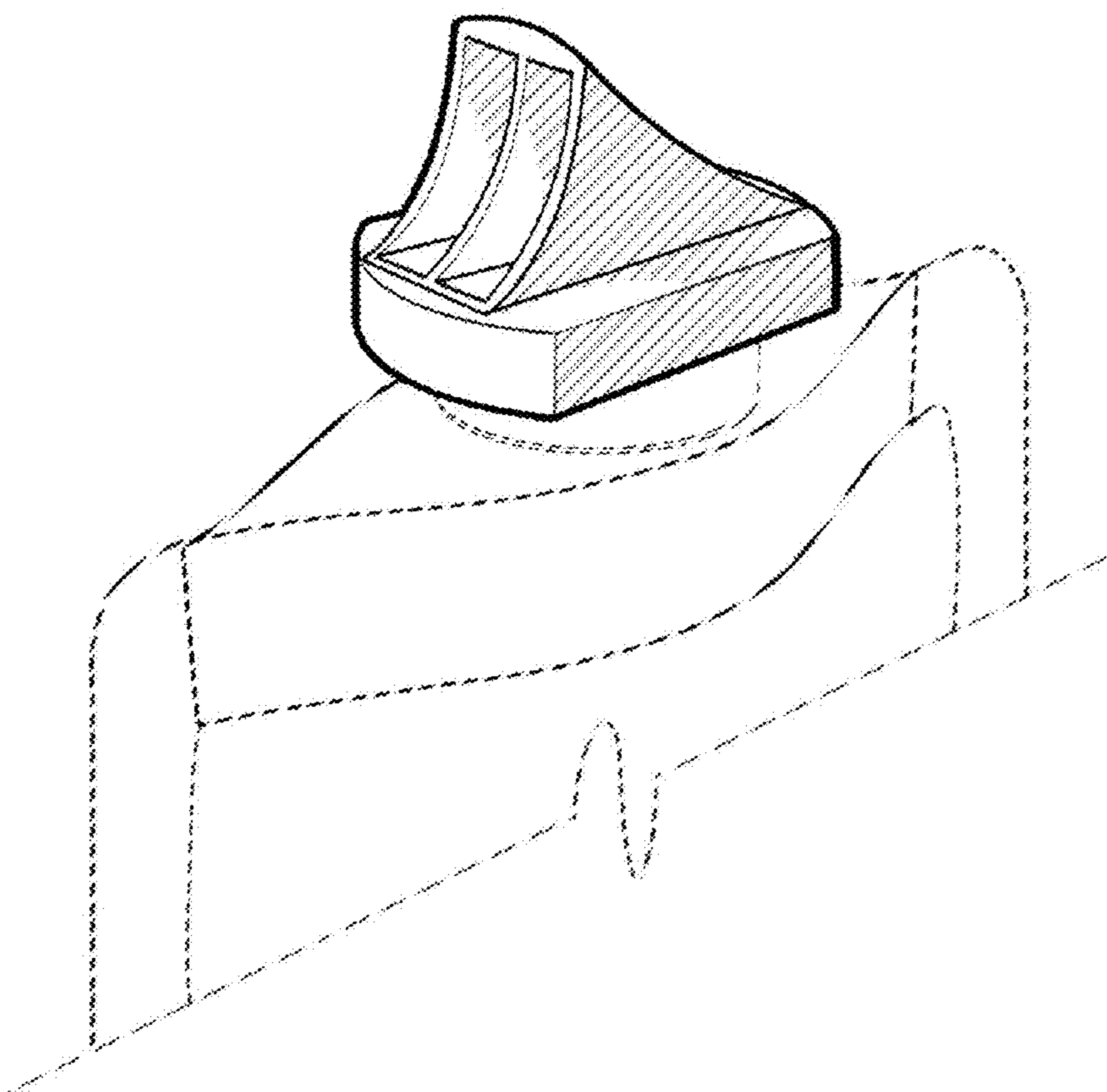


FIG. 7

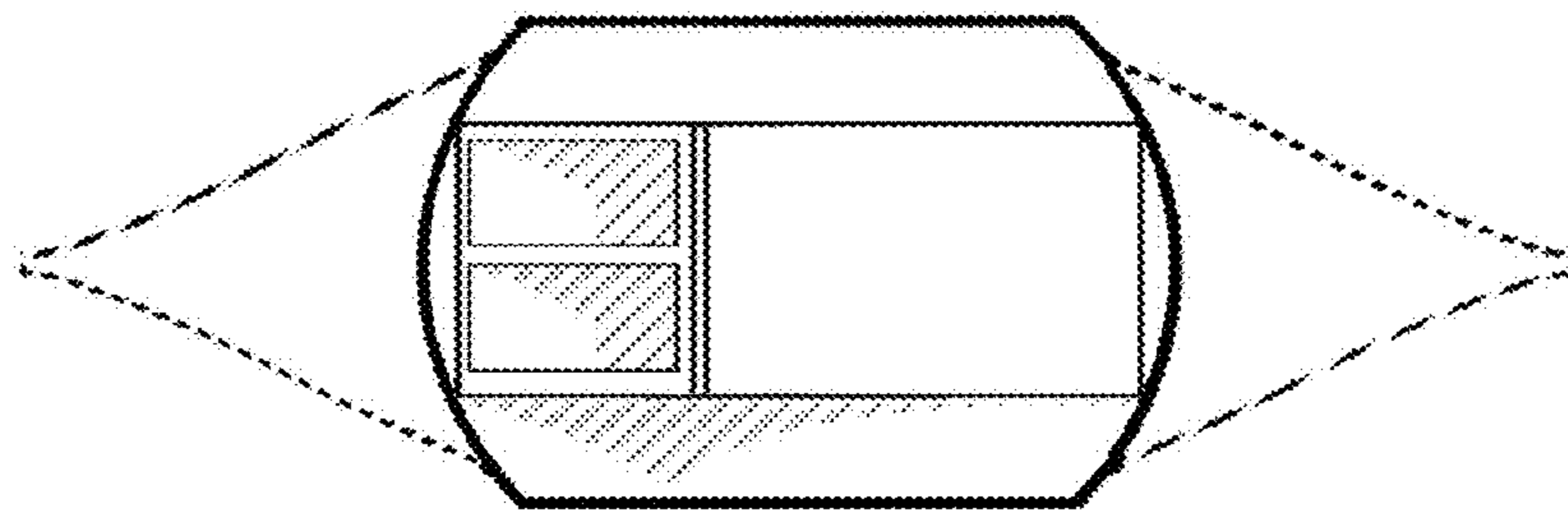




FIG. 8

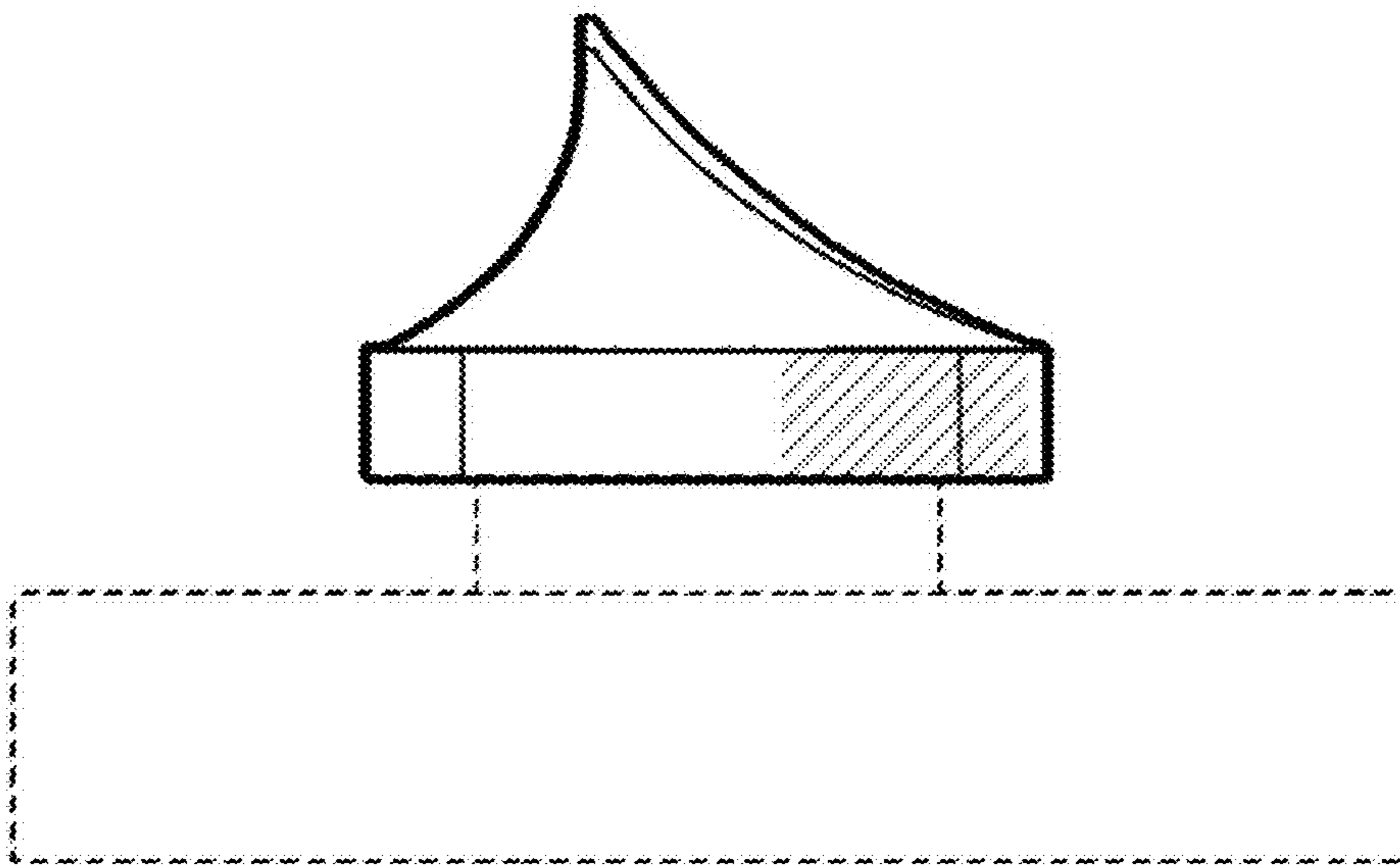


FIG. 9

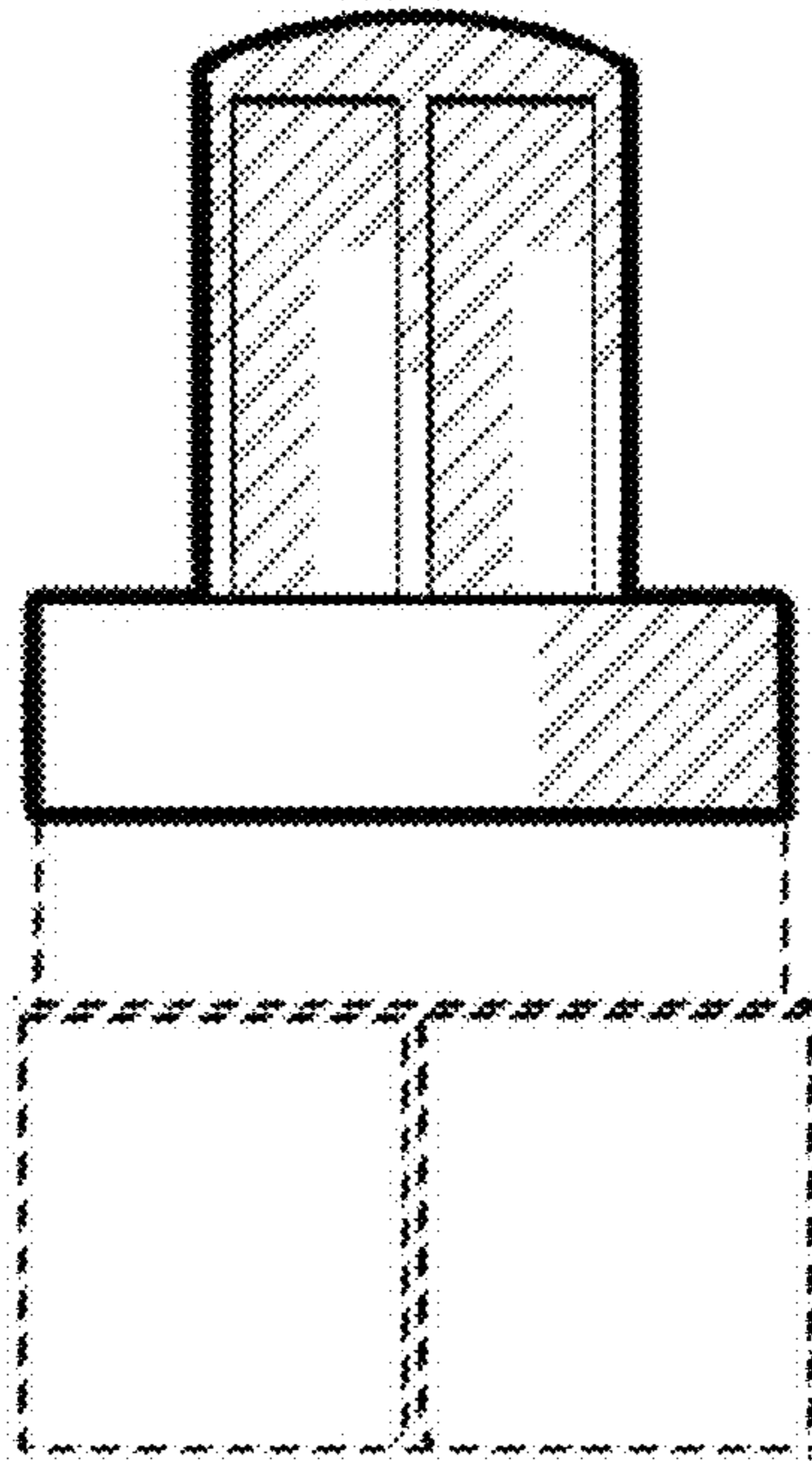


FIG. 10

