



US00D749949S

(12) **United States Design Patent**
Bruining

(10) **Patent No.:** **US D749,949 S**

(45) **Date of Patent:** **** Feb. 23, 2016**

(54) **CAP**

(71) Applicant: **Reckitt Benckiser LLC**, Parsippany, NJ
(US)

(72) Inventor: **Sebastiaan Bruining**, Eindhoven (NL)

(73) Assignee: **Reckitt Benckiser LLC**, Parsippany, NJ
(US)

(**) Term: **14 Years**

(21) Appl. No.: **29/500,686**

(22) Filed: **Aug. 27, 2014**

(30) **Foreign Application Priority Data**

Mar. 7, 2014 (EM) 001405344-0004

(51) **LOC (10) Cl.** **09-07**

(52) **U.S. Cl.**
USPC **D9/447**

(58) **Field of Classification Search**
USPC D9/434-436, 438, 443-450, 452-454,
D9/499; D7/387, 392, 393, 396.2, 510,
D7/511; D3/202, 294, 318; 215/28, 41,
215/201, 216, 224, 230, 235, 237, 243, 249,
215/256, 306, 316, 317, 396; 220/252,
220/254.1, 254.2-254.4, 258.2, 263, 367.1,
220/375, 711, 724, 730, 731, 837, 847;
222/109, 153.1, 153.11, 153.14, 464.1,
222/498, 546, 547, 562, 565, 566, 570, 621
CPC A61J 1/1412; B65D 1/02; B65D 1/323;
B65D 25/40; B65D 41/56; B65D 41/62;
B65D 47/06; B65D 47/08

See application file for complete search history.

(56) **References Cited**

U.S. PATENT DOCUMENTS

D213,670 S *	4/1969	Waddington et al.	D24/110
D307,714 S *	5/1990	Rosenberg	D9/435
D308,481 S *	6/1990	Thompson	D9/526
D310,026 S *	8/1990	Verebelyi	D9/520
D375,049 S *	10/1996	Vollborth	D9/526
D406,063 S *	2/1999	Vangramberen	D9/526
D501,139 S *	1/2005	Conway	D9/444
D553,990 S *	10/2007	Muhlhausen	D9/447
D561,592 S *	2/2008	Muhlhausen	D9/526
D585,286 S *	1/2009	Rosinski	D9/526
D668,542 S *	10/2012	Thurin	D9/447
D738,213 S *	9/2015	Agassi	D9/449
D739,748 S *	9/2015	Van Wetten	D9/449

* cited by examiner

Primary Examiner — Karen S Acker

Assistant Examiner — Wendy Arminio

(74) *Attorney, Agent, or Firm* — Norris McLaughlin & Marcus PA

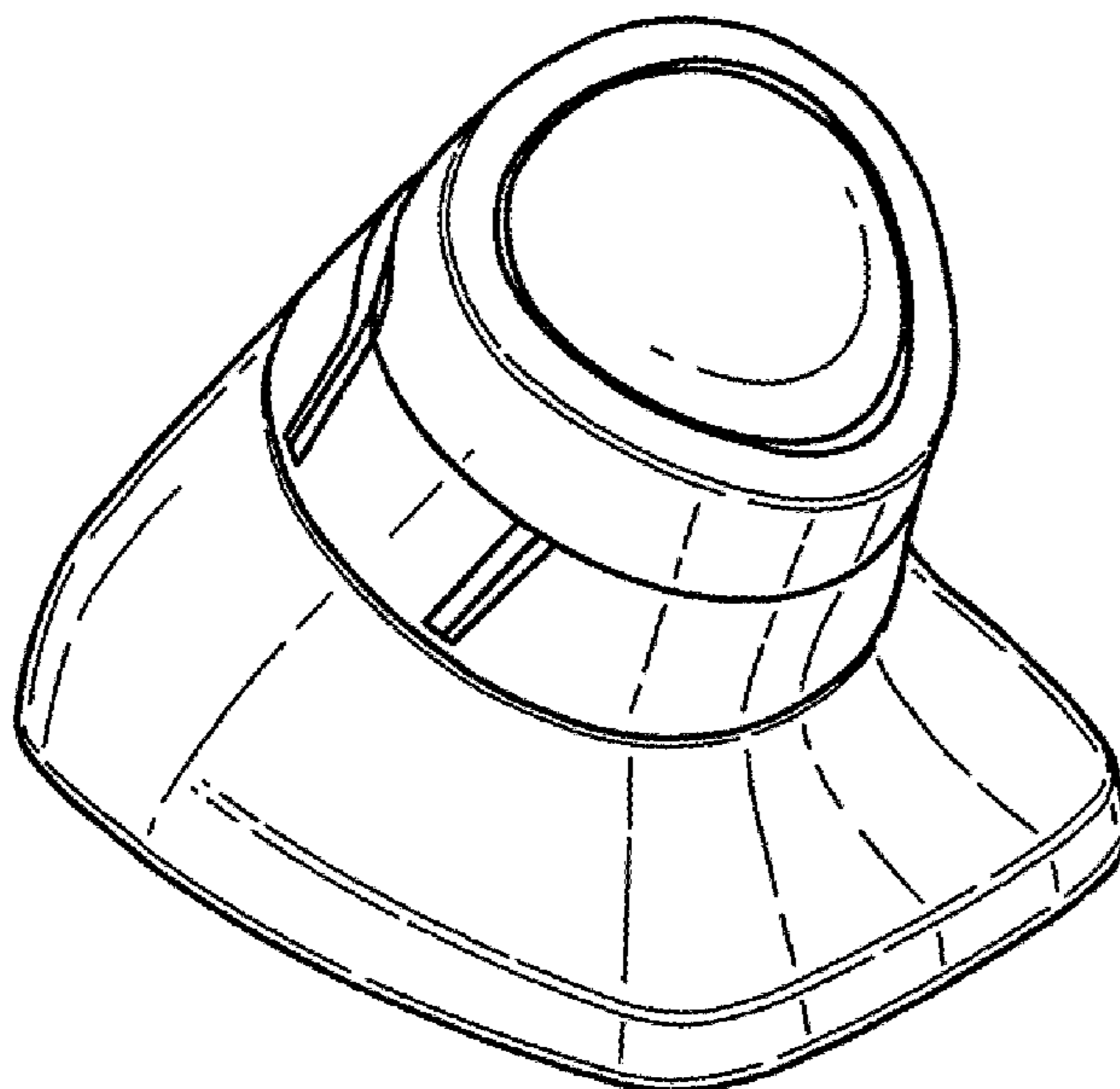
(57) **CLAIM**

The ornamental design for a cap, as shown and described.

DESCRIPTION

FIG. 1 is a perspective view of the cap;
FIG. 2 is an elevation view of a first side of the cap;
FIG. 3 is an elevation view of a second side of the cap;
FIG. 4 is an elevation view of a third side of the cap;
FIG. 5 is an elevation view of a fourth side of the cap;
FIG. 6 is a plan view of the top of the cap; and,
FIG. 7 is a plan view of the bottom of the cap.
The broken line and the circumscribed area within the broken line depict portions of the cap that form no part of the claimed design.

1 Claim, 2 Drawing Sheets



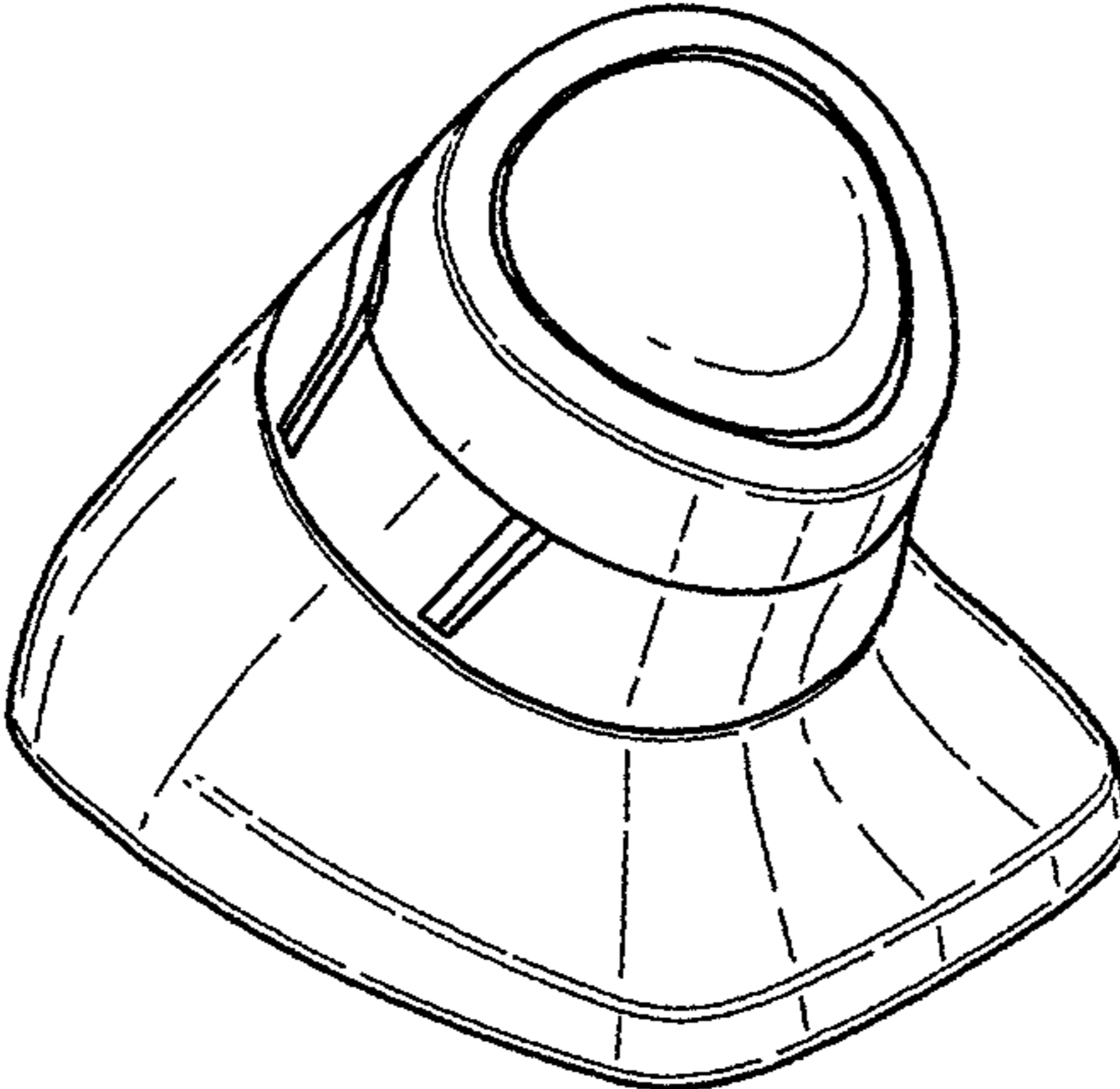


Fig. 1

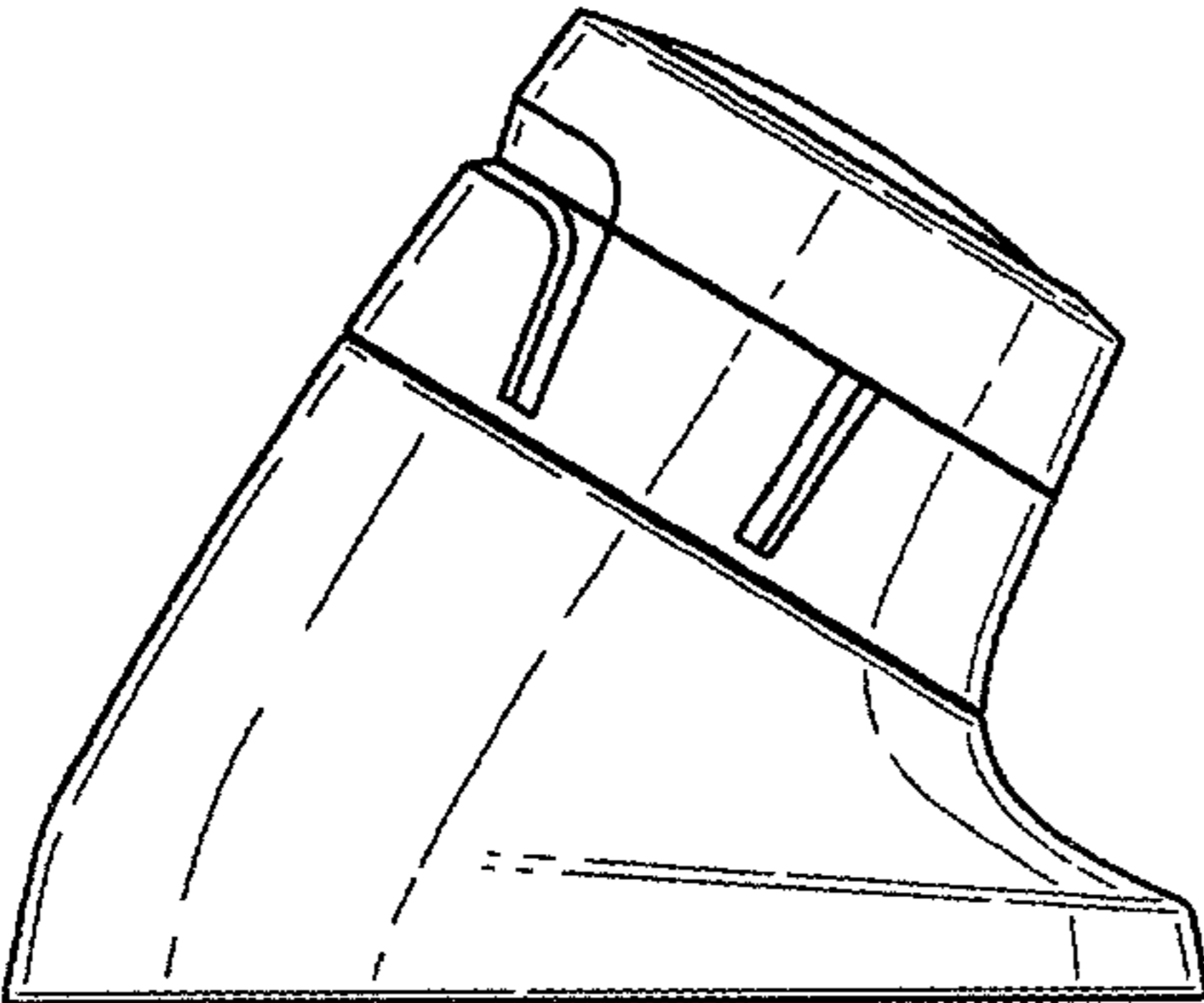


Fig. 2

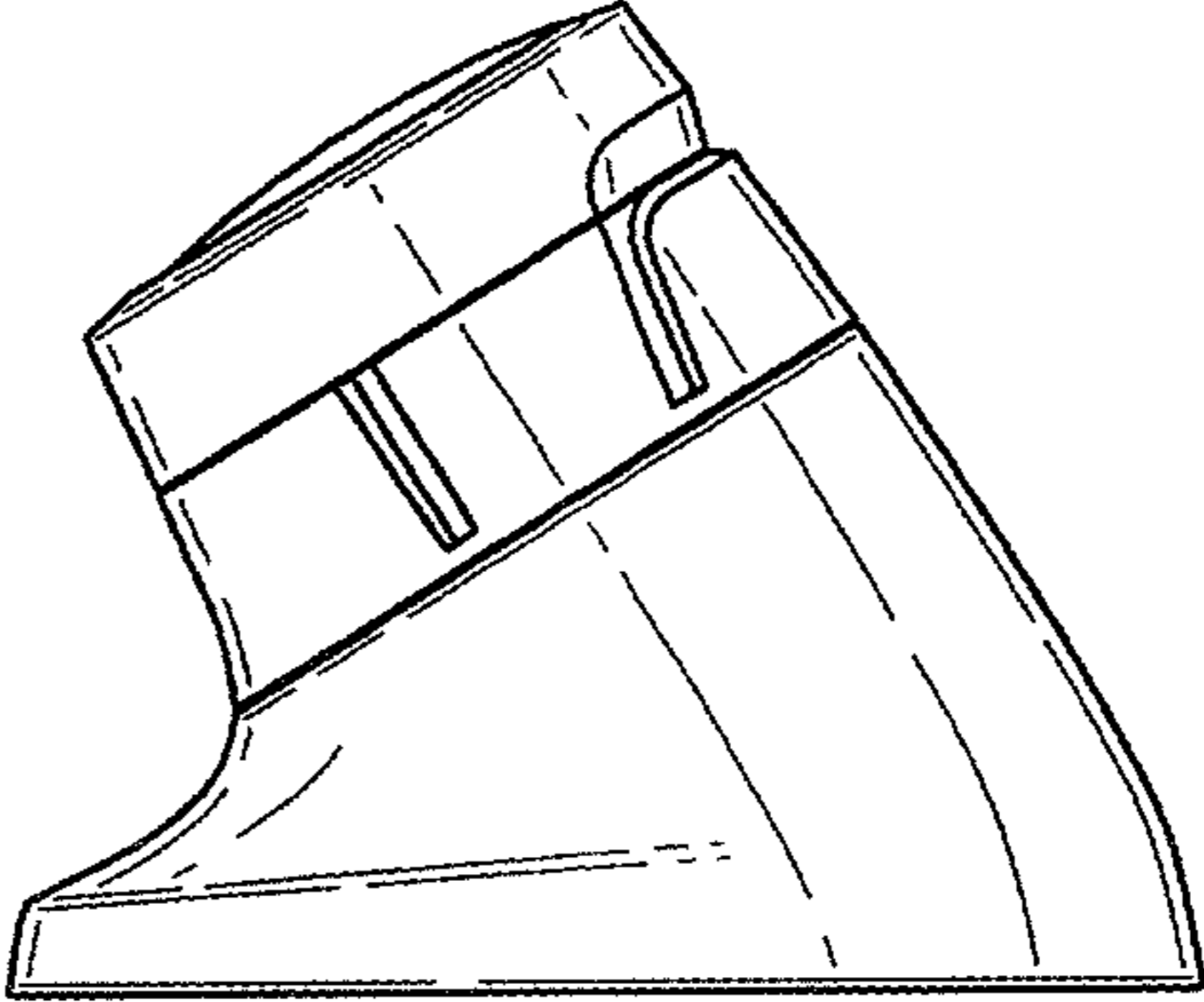


Fig. 3

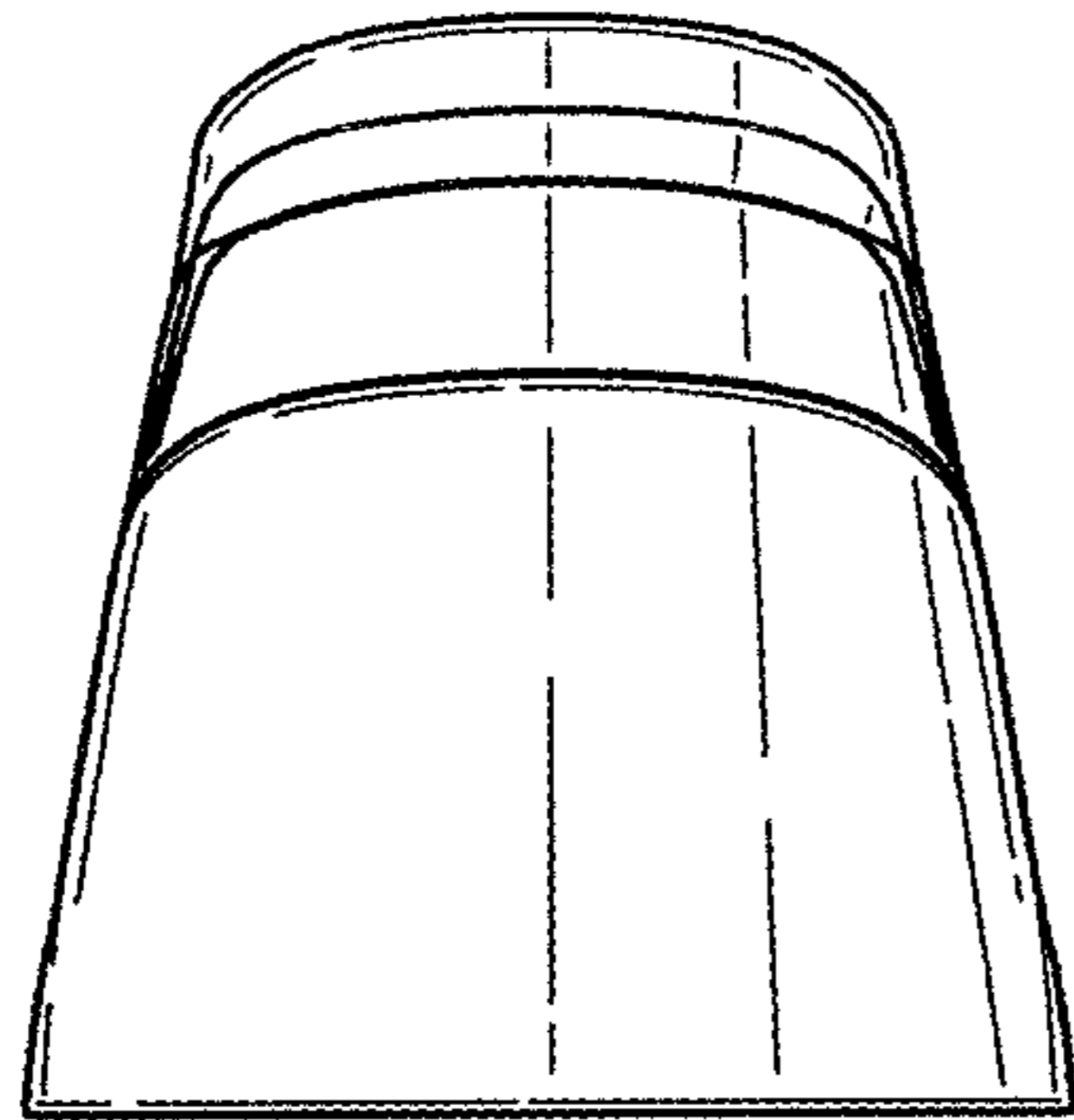


Fig. 4

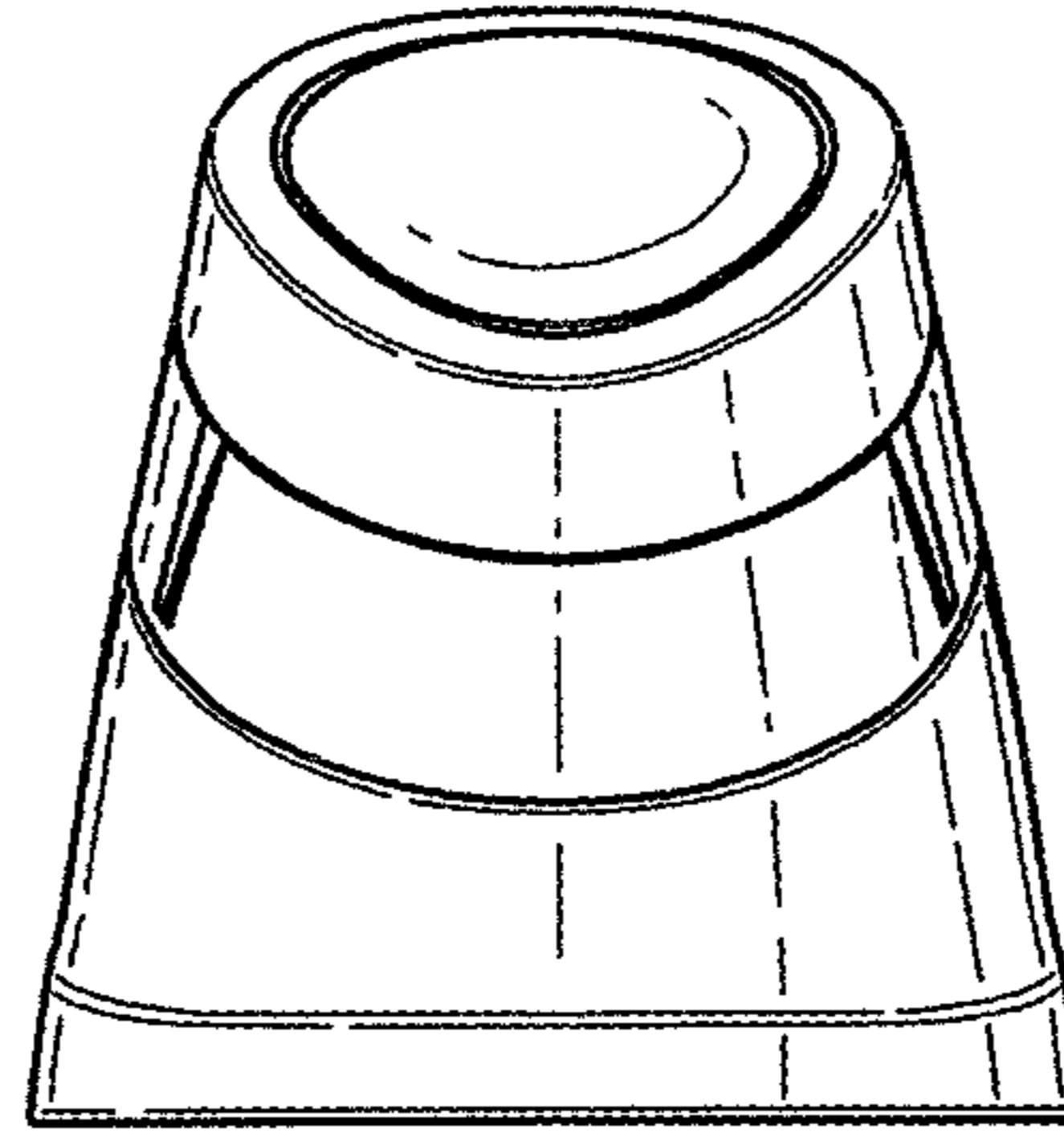


Fig. 5

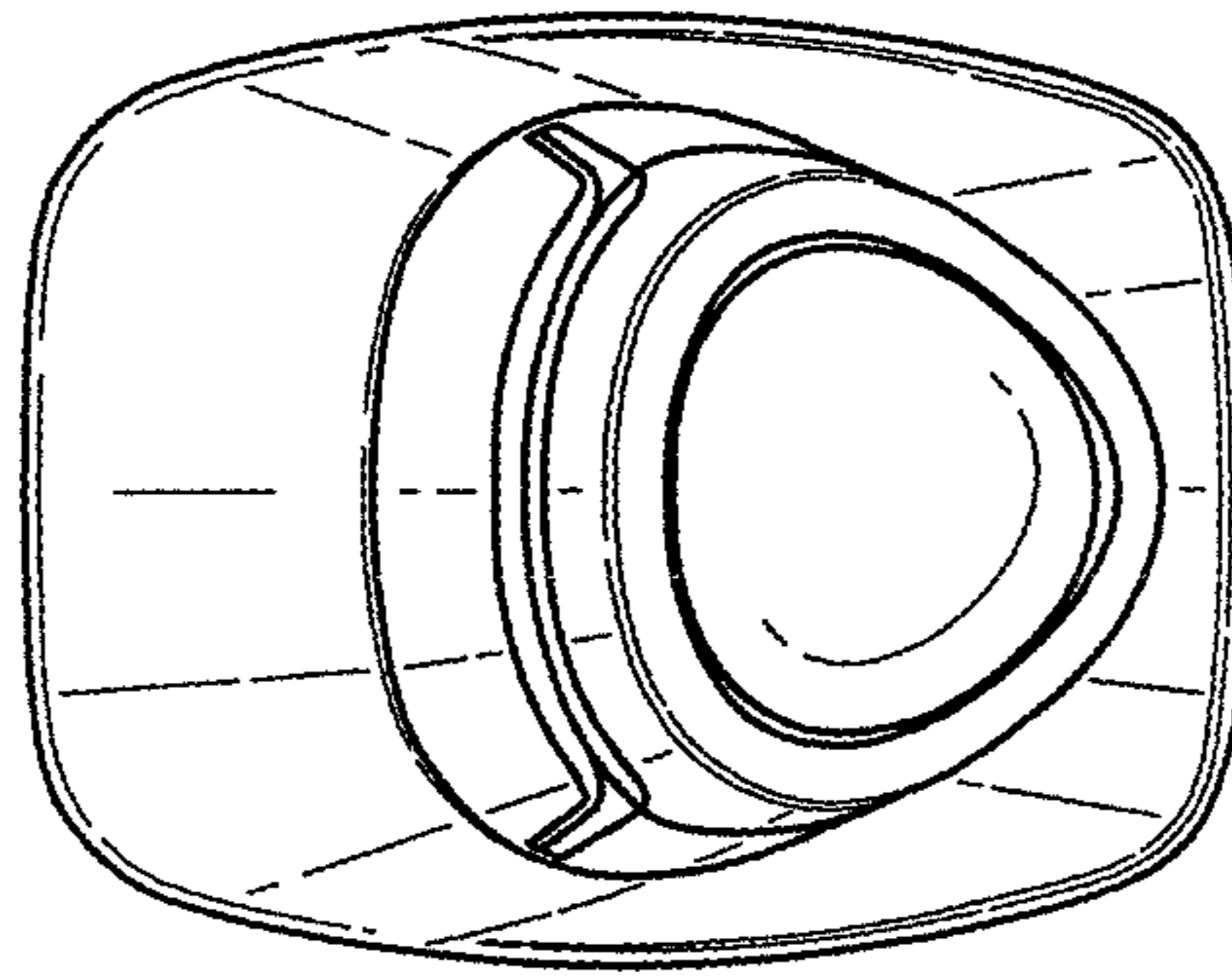


Fig. 6

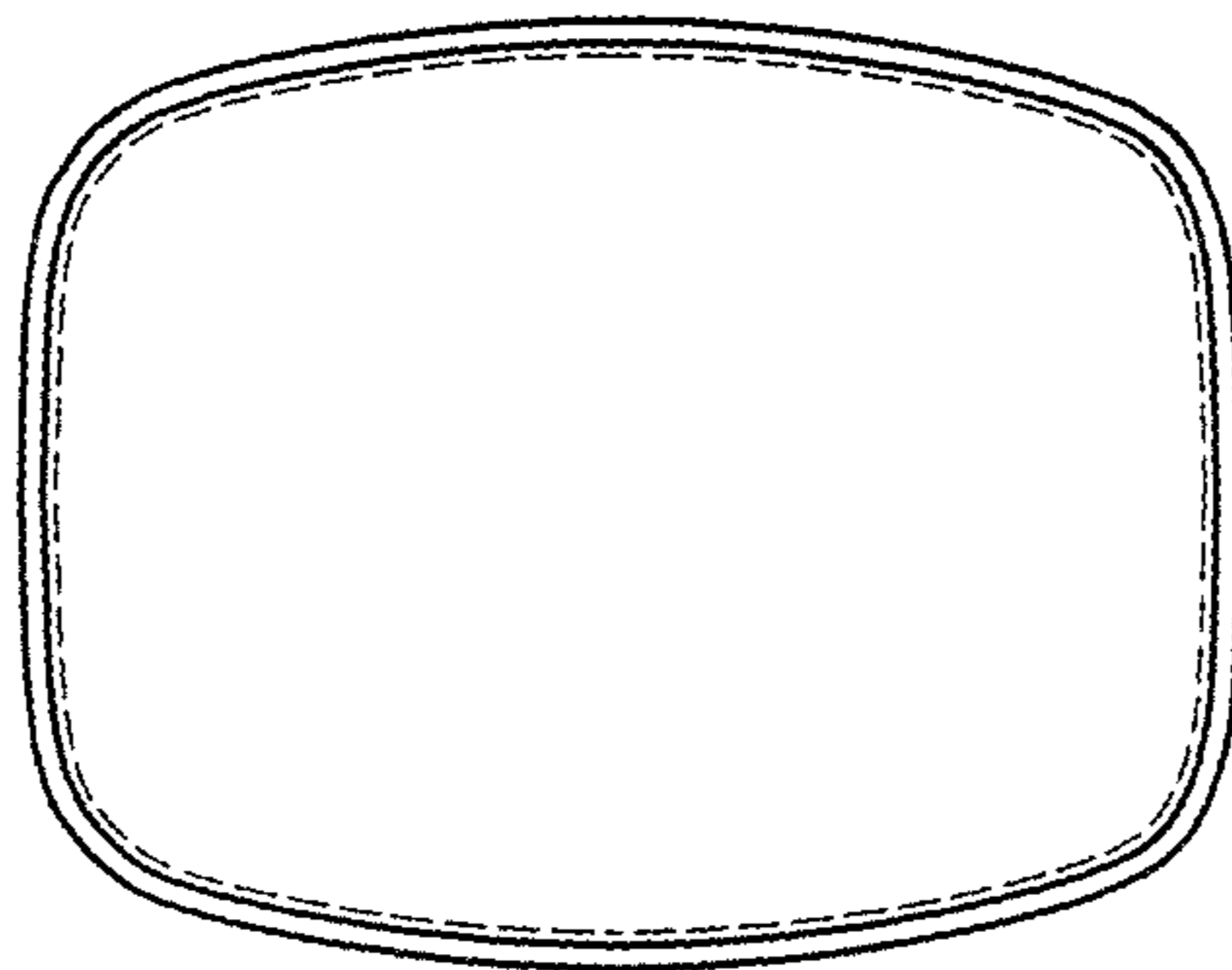


Fig. 7