



US00D749947S

(12) **United States Design Patent**
Powers et al.

(10) **Patent No.:** **US D749,947 S**
(45) **Date of Patent:** **** Feb. 23, 2016**

(54) **OVER THE COUNTER MEDICINAL
CONTAINER WITH SURFACE
ORNAMENTATION**

D590,251 S * 4/2009 Seol et al. D9/432
D590,252 S * 4/2009 Seol et al. D9/432
D590,253 S * 4/2009 Seol et al. D9/432
D599,201 S * 9/2009 Seol et al. D9/432

(71) Applicant: **The Procter & Gamble Company,**
Cincinnati, OH (US)

(Continued)

(72) Inventors: **Diane Danheiser Powers,** Mason, OH
(US); **Andrea Marie Subler,** West
Chester, OH (US)

Primary Examiner — Holly Baynham

Assistant Examiner — Rhea Shields

(73) Assignee: **The Procter & Gamble Company,**
Cincinnati, OH (US)

(74) *Attorney, Agent, or Firm* — Alexandra S. Anoff

(**) Term: **14 Years**

(57) **CLAIM**

The ornamental design for an over the counter medicinal container with surface ornamentation, as shown and described.

(21) Appl. No.: **29/526,166**

DESCRIPTION

(22) Filed: **May 7, 2015**

The present application file contains at least one drawing executed in color. Copies of this patent or patent application publication with color drawing(s) will be provided by the Office upon request and payment of the necessary fee.

Related U.S. Application Data

(63) Continuation of application No. 29/443,217, filed on Jan. 15, 2013, now abandoned, which is a continuation of application No. 29/401,368, filed on Sep. 12, 2011, now Pat. No. Des. 677,580, which is a continuation-in-part of application No. 29/387,106, filed on Mar. 9, 2011, now Pat. No. Des. 669,790.

FIG. 1 is a perspective view of a first embodiment of an over the counter medicinal container with surface ornamentation showing our new design;

(51) **LOC (10) Cl.** **09-03**

(52) **U.S. Cl.**
USPC **D9/434**

FIG. 2 is a front view thereof;

FIG. 3 is a rear view thereof;

FIG. 4 is right side view thereof;

FIG. 5 is a left side view thereof;

FIG. 6 is a top view thereof;

FIG. 7 is a bottom view thereof;

(58) **Field of Classification Search**

USPC D9/600, 667, 669, 414, 430-434,
D9/456-457; 206/494, 457, 527; 215/400;
220/890; 229/116.1; D20/11, 22-25,
D20/27-28

FIG. 8 is a perspective view of a second embodiment of an over the counter medicinal container with surface ornamentation showing our new design;

FIG. 9 is a front view thereof;

FIG. 10 is a rear view thereof;

FIG. 11 is a right side view thereof;

FIG. 12 is a left side view thereof;

FIG. 13 is a top view thereof; and,

FIG. 14 is a bottom view thereof.

See application file for complete search history.

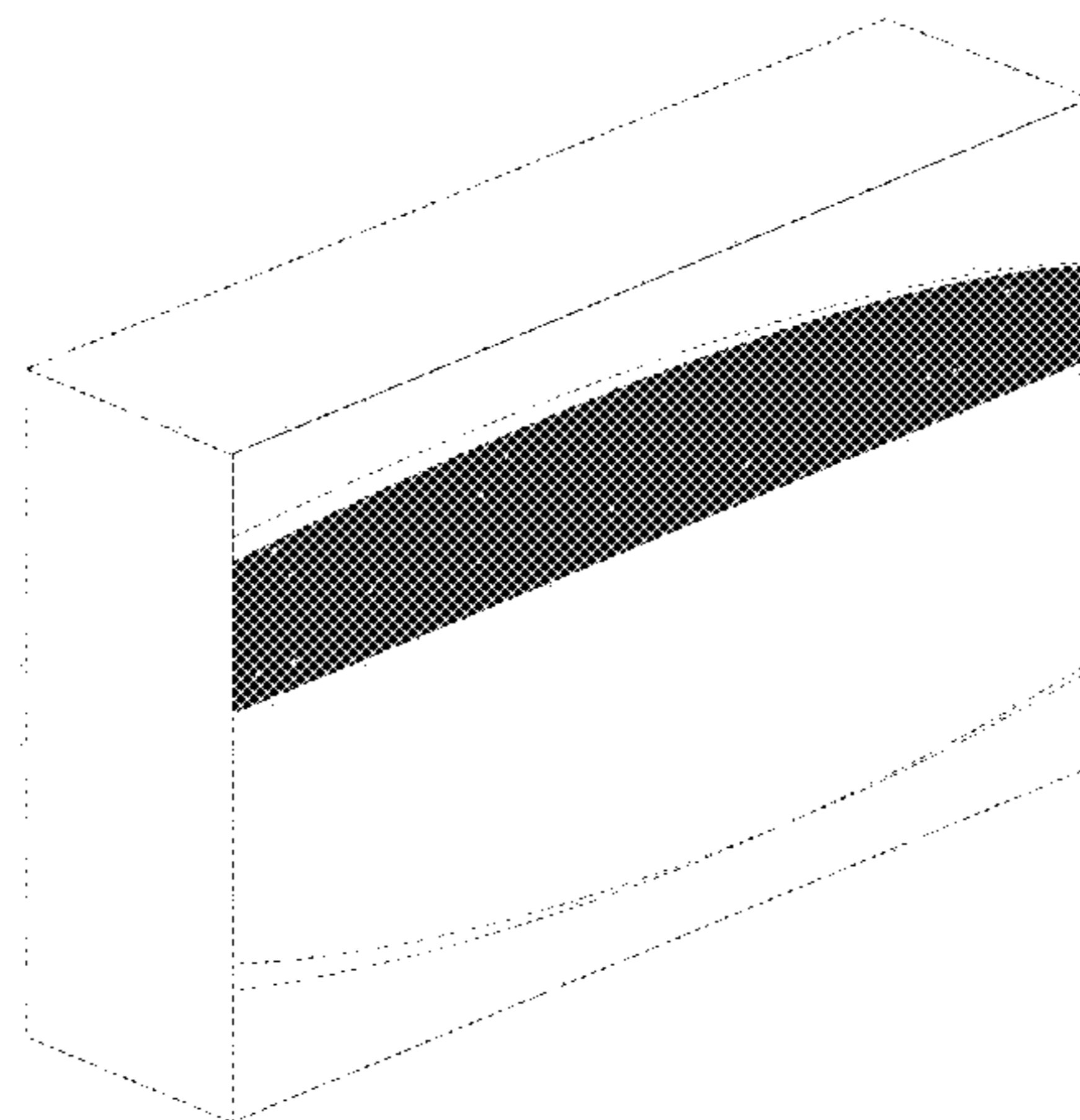
In the drawings, the broken lines are for the purpose of illustrating environment only and form no part of the claimed design.

(56) **References Cited**

U.S. PATENT DOCUMENTS

D489,002 S * 4/2004 Meyer et al. D9/669
D587,111 S * 2/2009 Seol et al. D9/432
D590,250 S * 4/2009 Seol D9/432

1 Claim, 7 Drawing Sheets
(4 of 7 Drawing Sheet(s) Filed in Color)



US D749,947 S

Page 2

(56)

References Cited

U.S. PATENT DOCUMENTS

D603,701 S *	11/2009	Seol et al.	D9/432
D608,636 S *	1/2010	Seol	D9/432
D612,261 S *	3/2010	Champion et al.	D9/600
D600,548 S *	9/2009	Seol et al.	D9/432

* cited by examiner

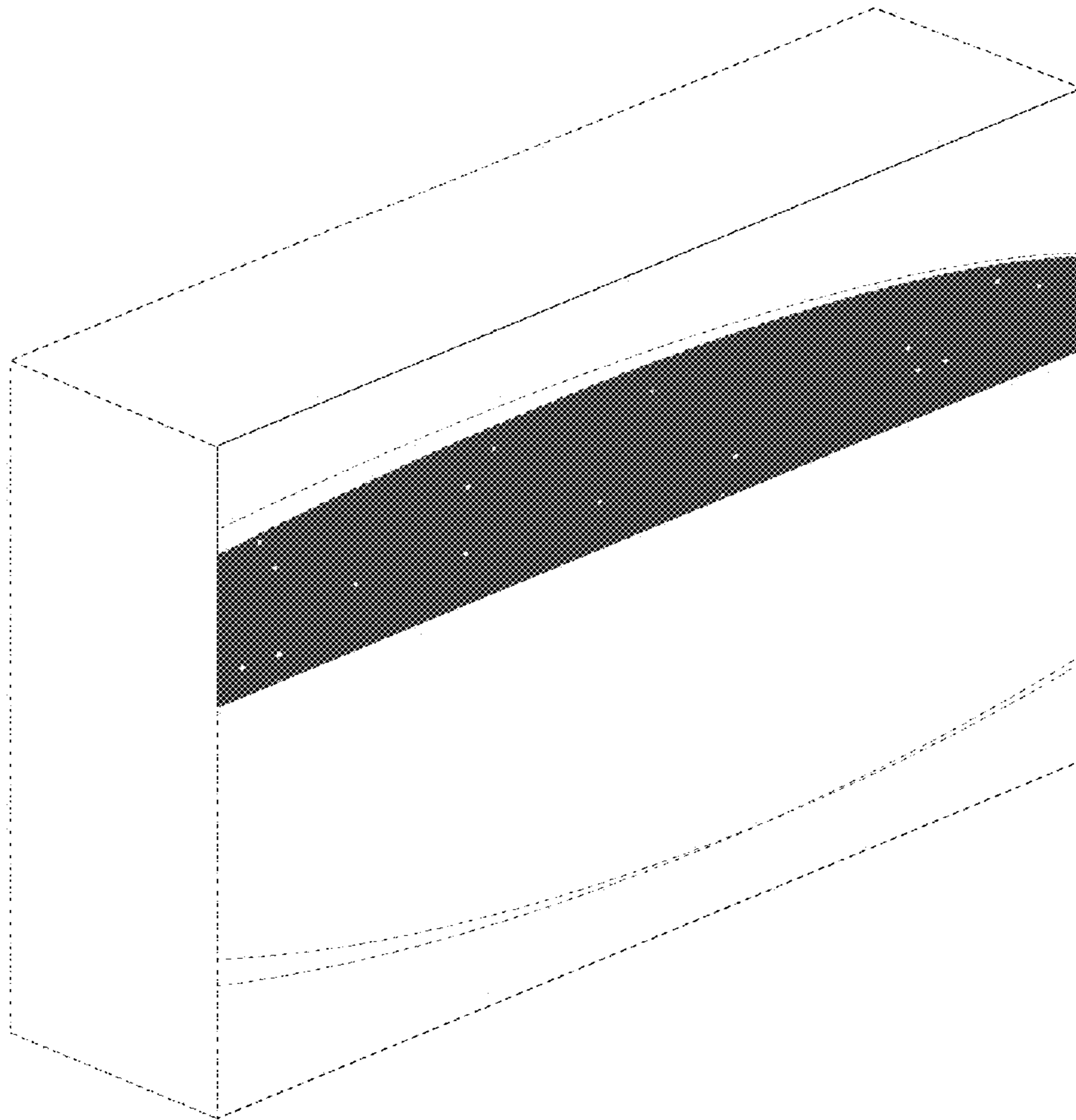


Fig. 1

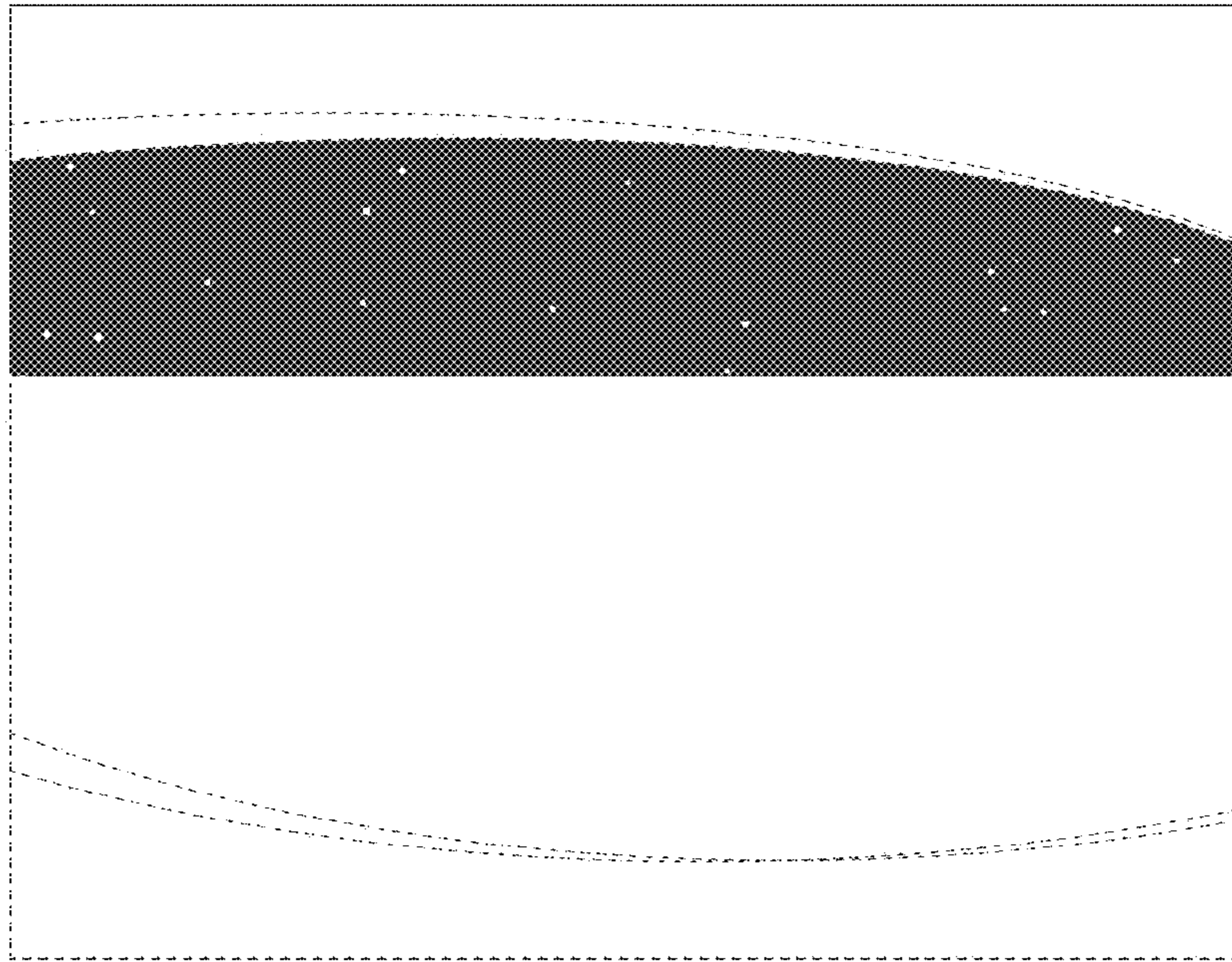


Fig. 2

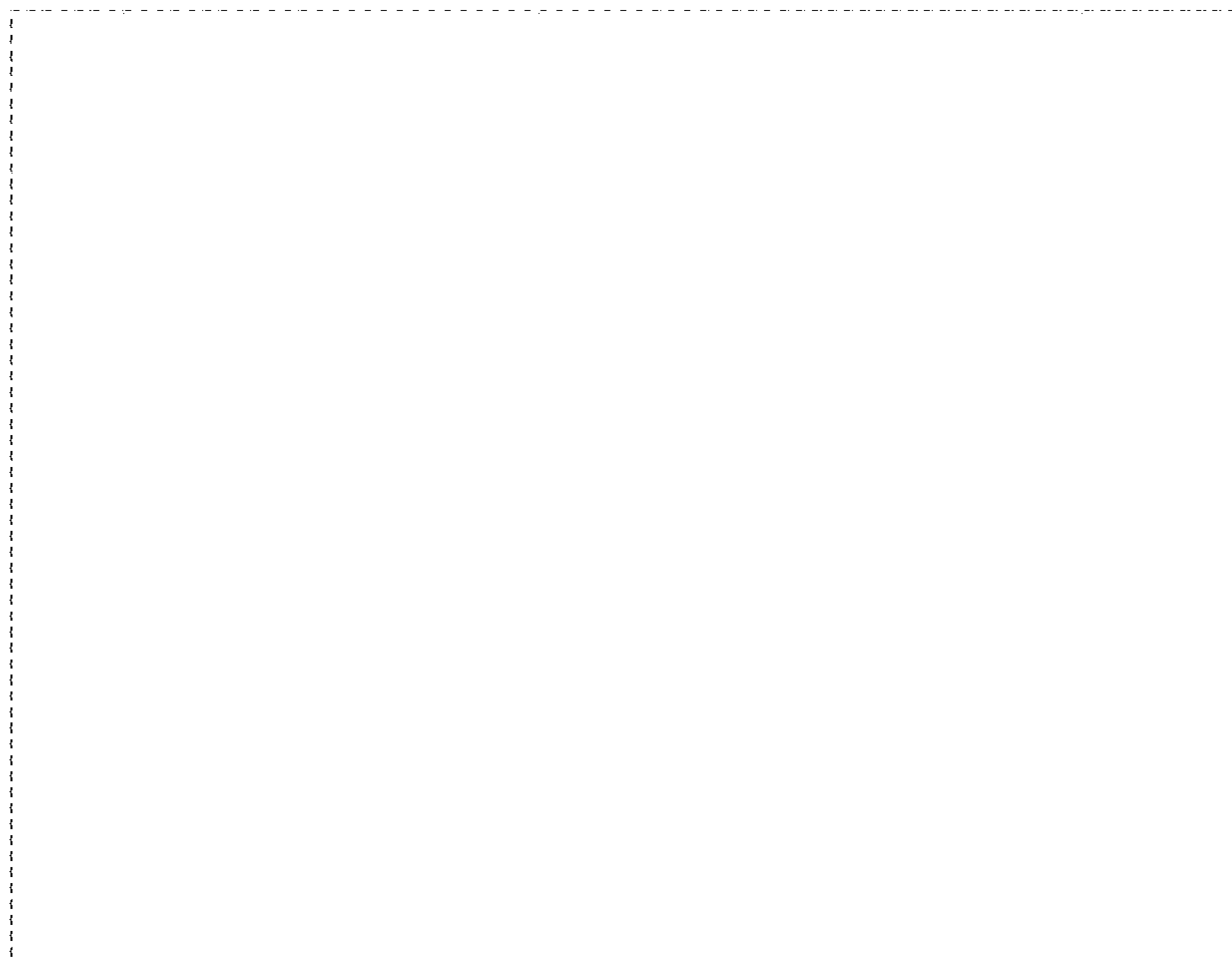


Fig. 3

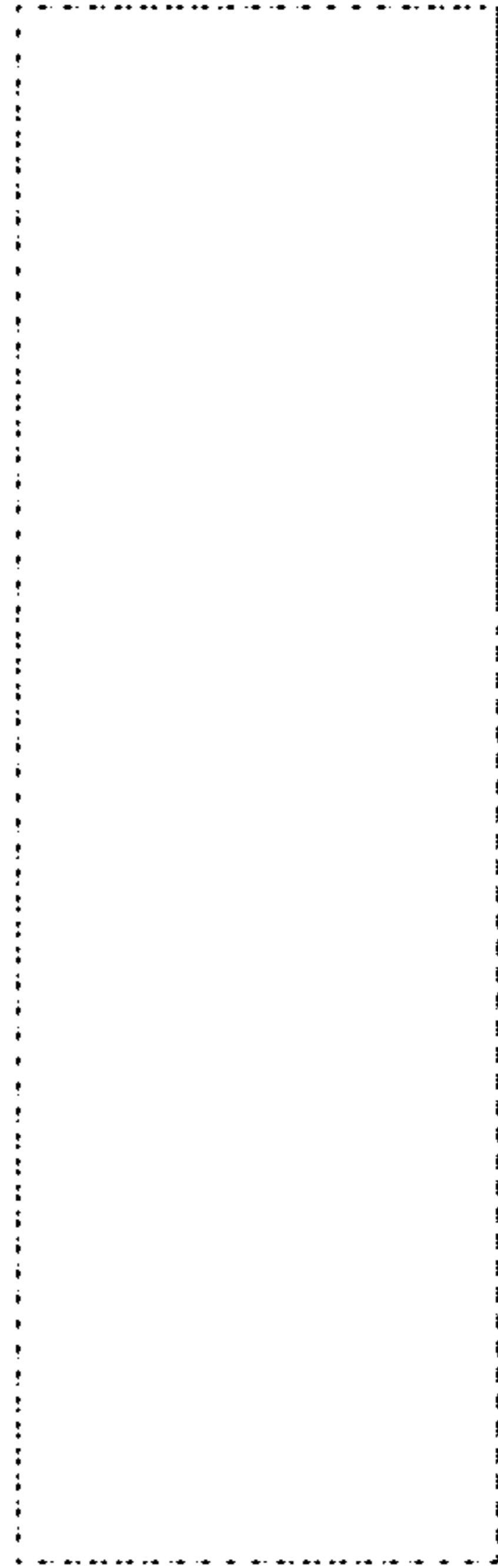


Fig. 4

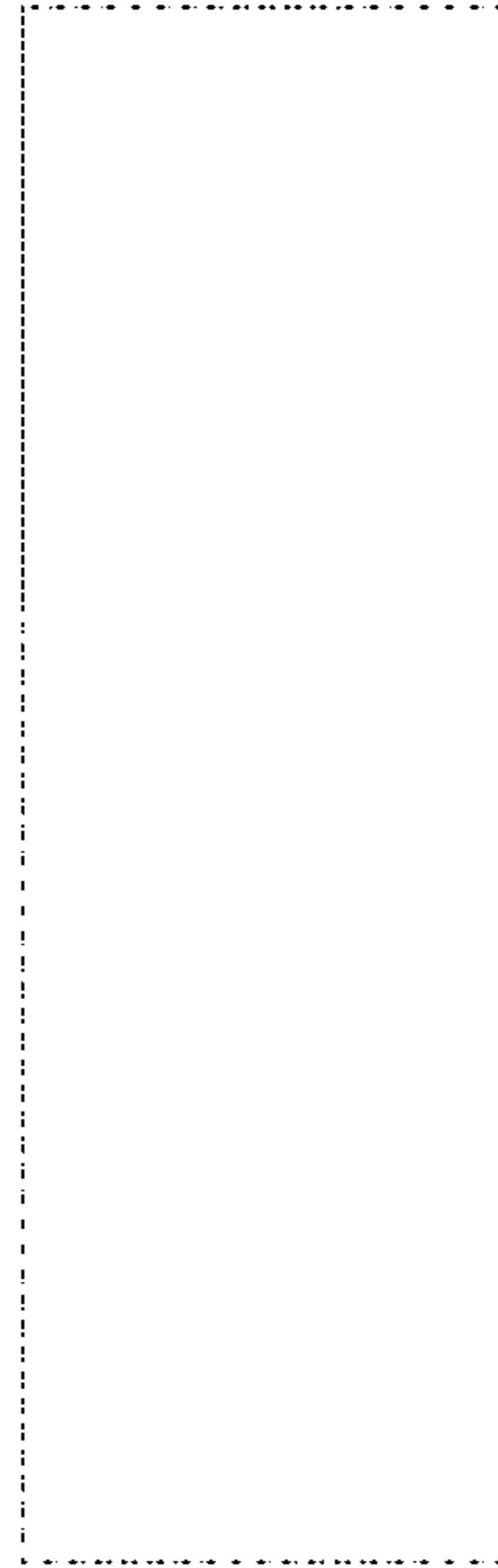


Fig. 5

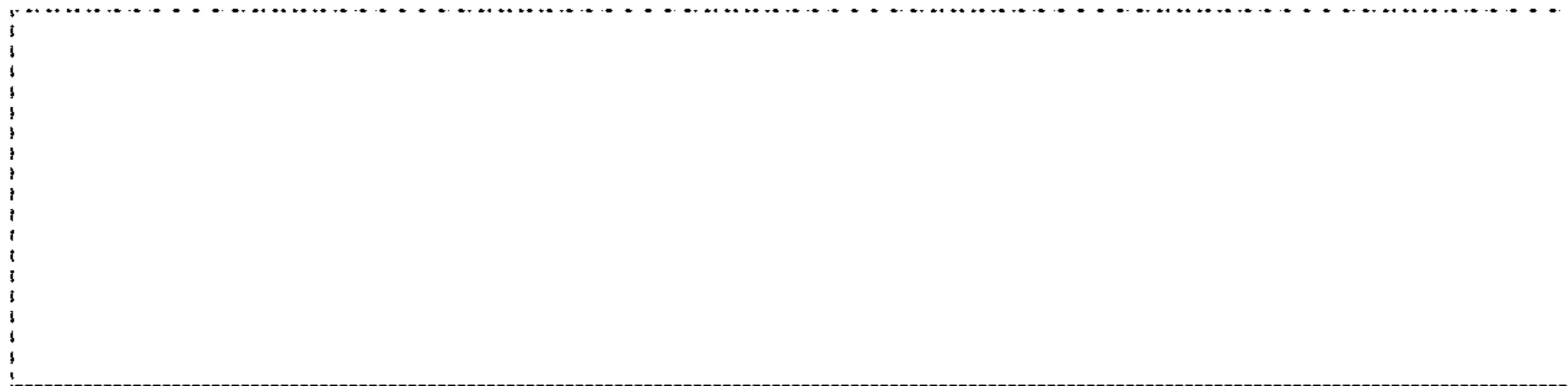


Fig. 6



Fig. 7

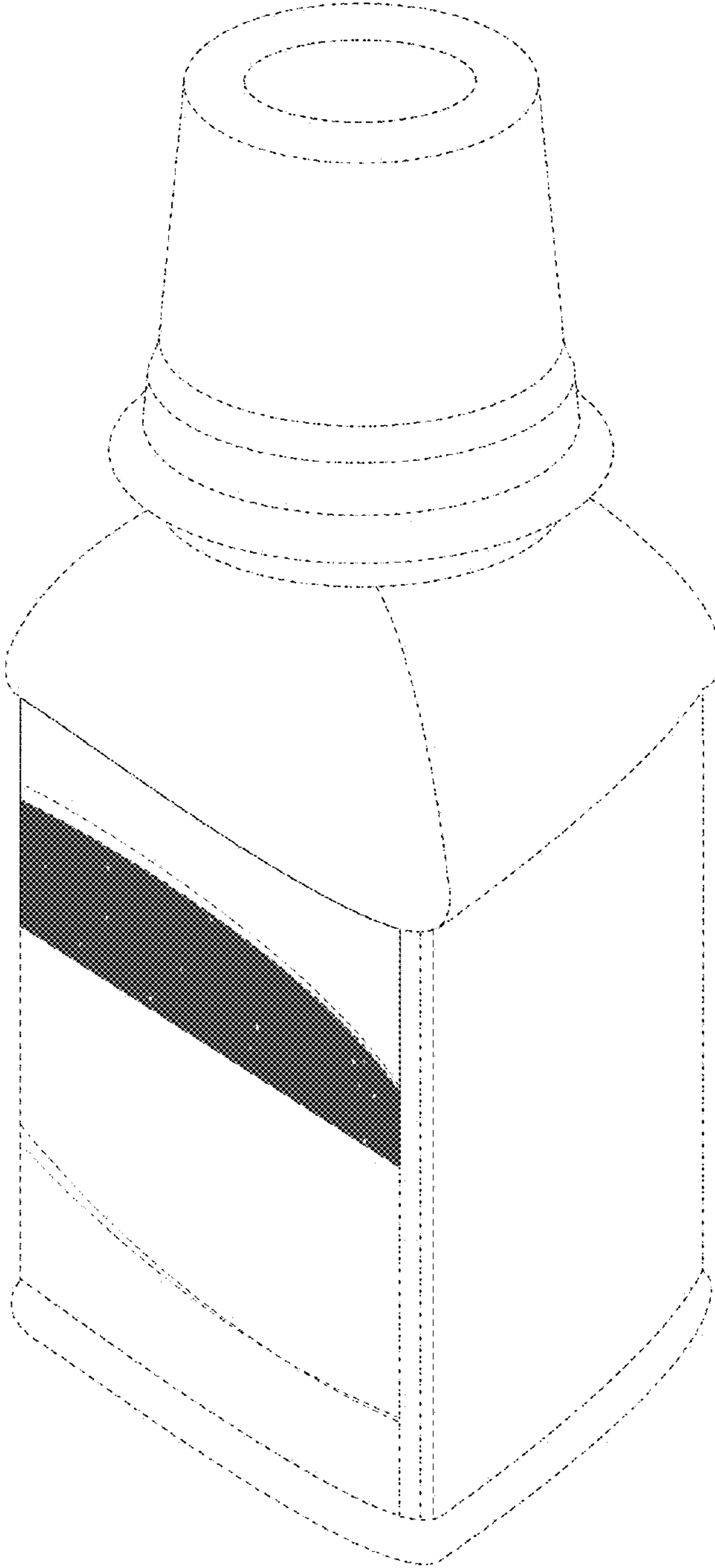


Fig. 8

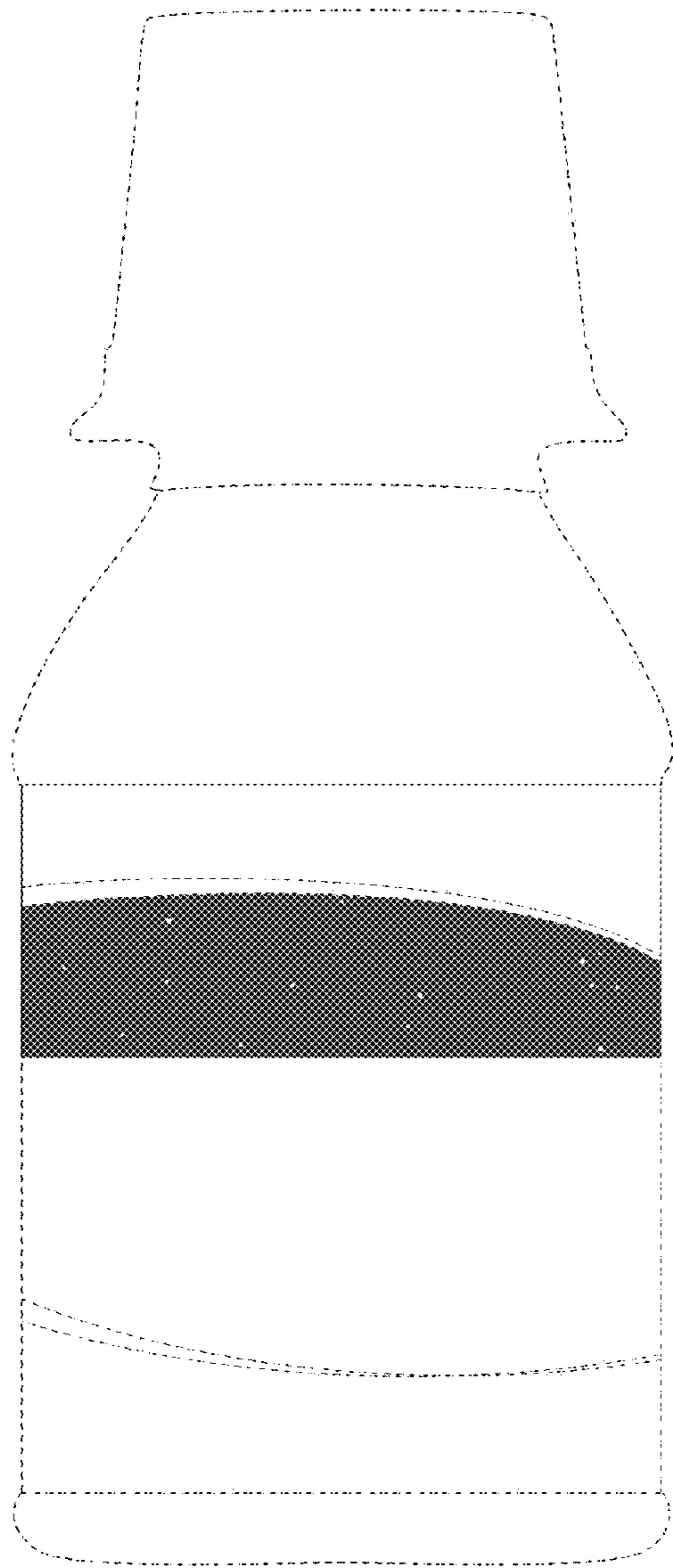


Fig. 9

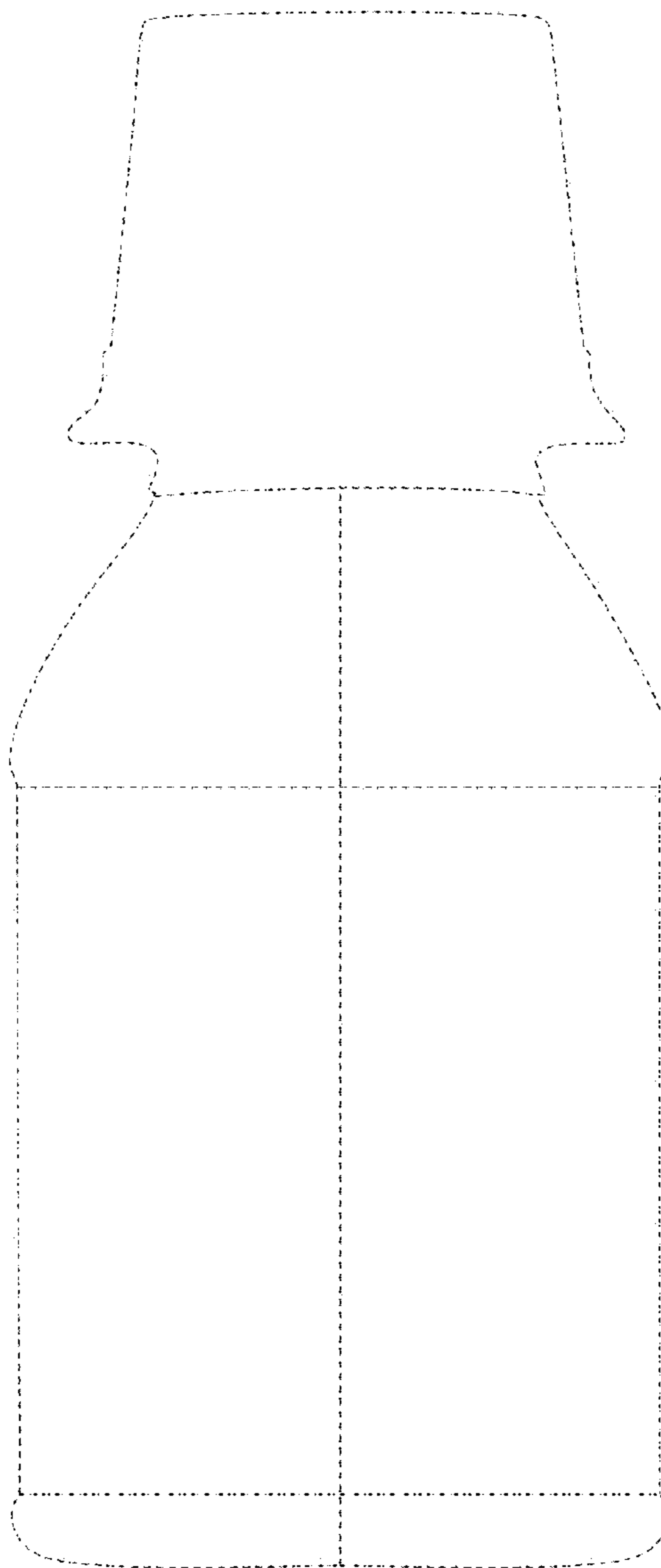


Fig. 10

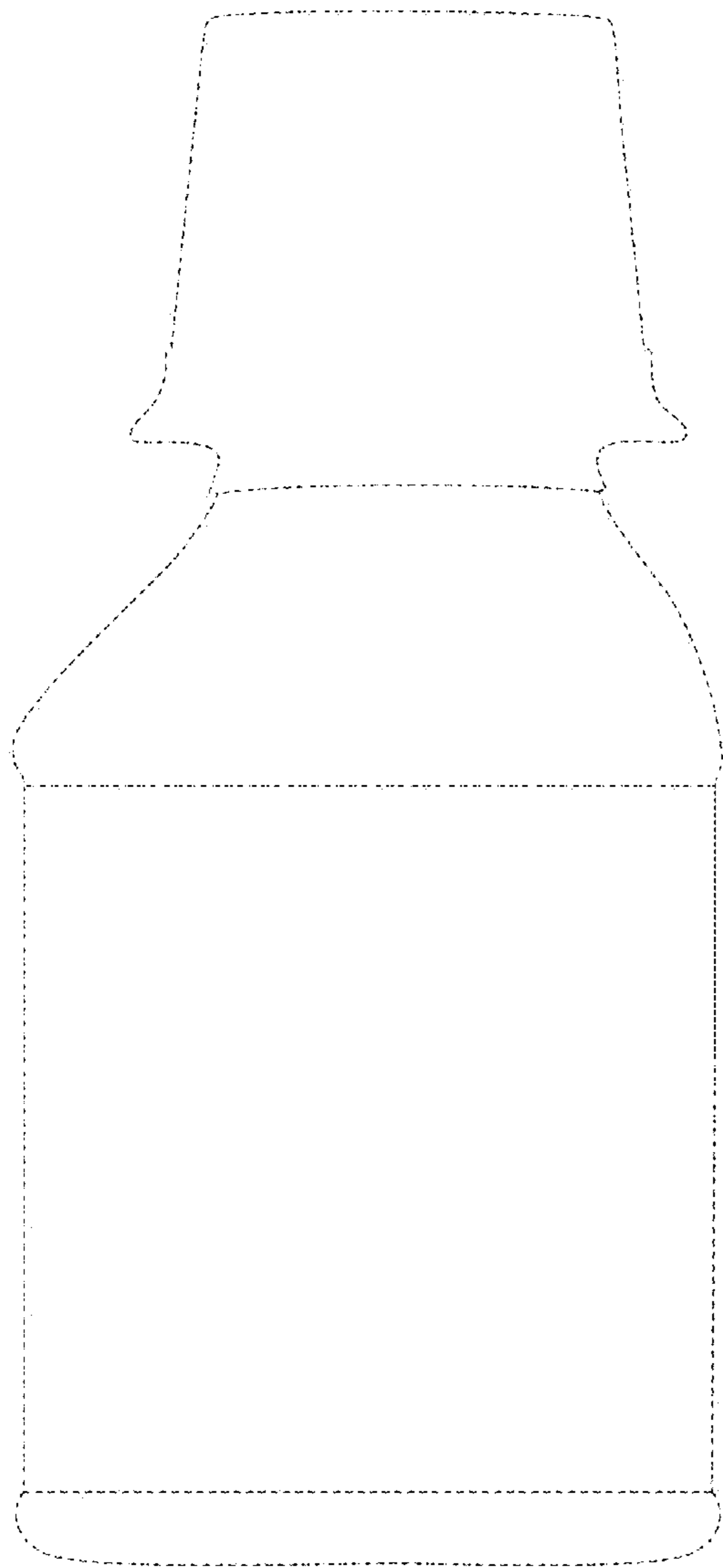


Fig. 11

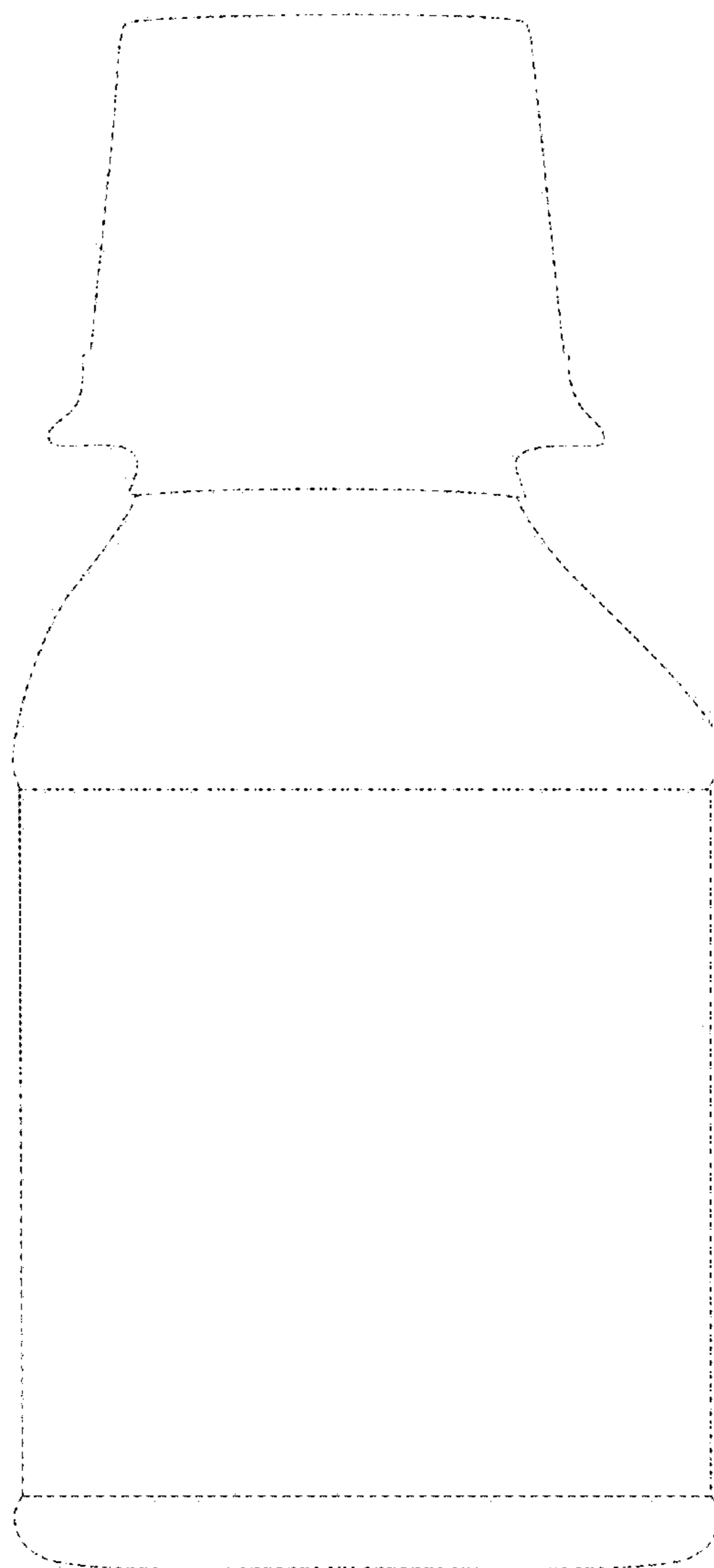


Fig. 12

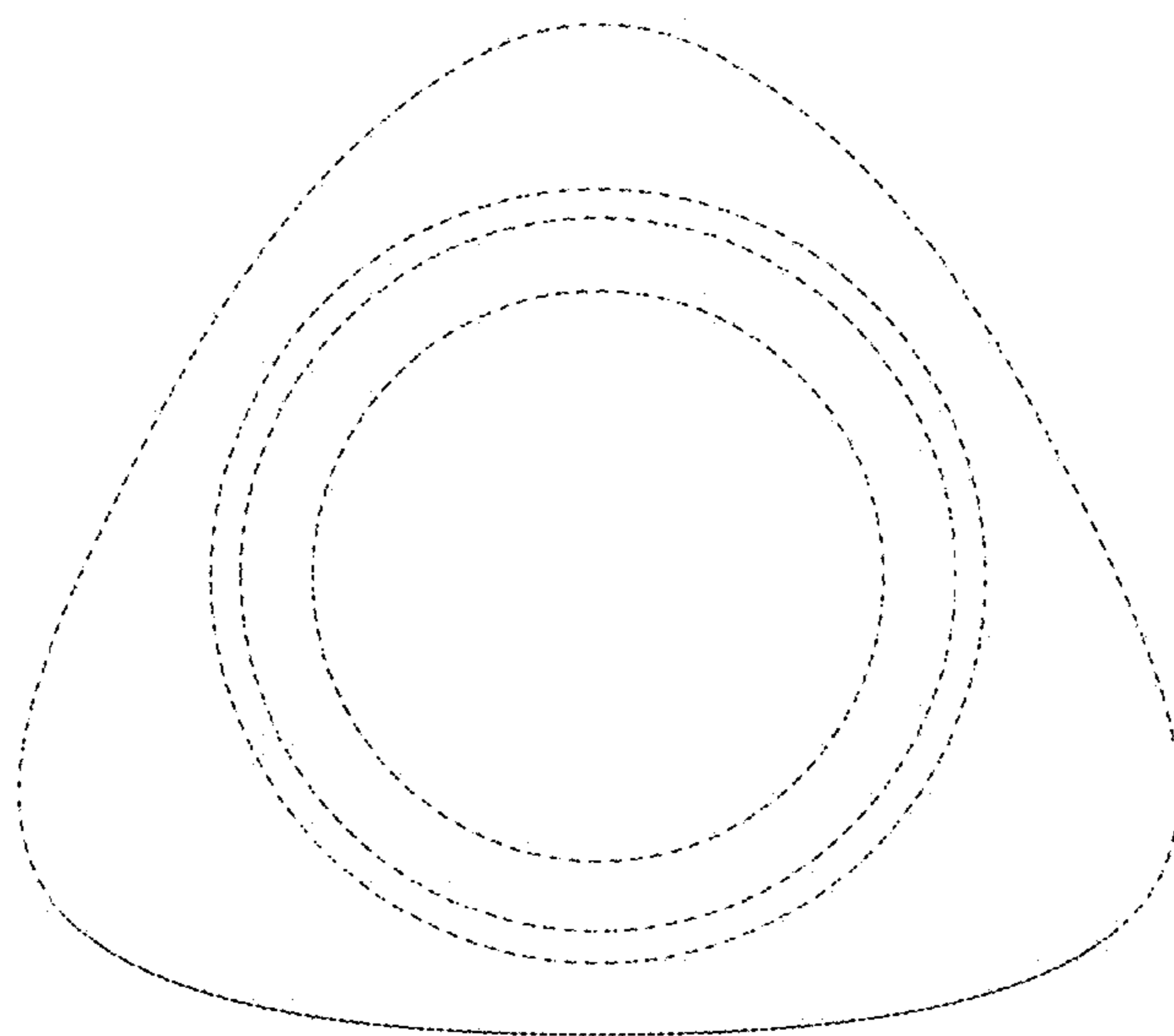


Fig. 13

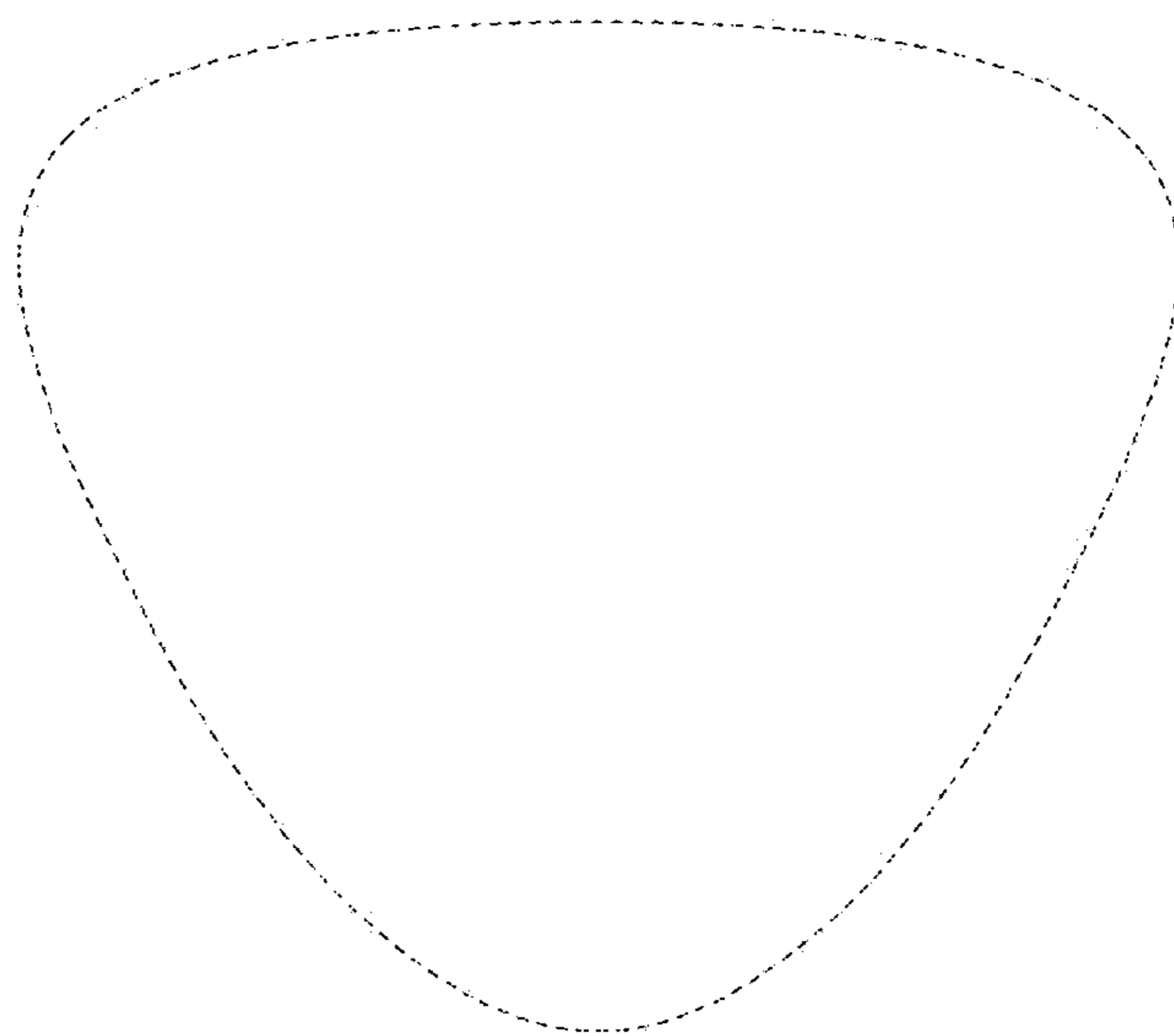


Fig. 14