



US00D749944S

(12) **United States Design Patent**
Kummerfeldt

(10) **Patent No.:** **US D749,944 S**

(45) **Date of Patent:** **** Feb. 23, 2016**

(54) **STORAGE CRATE**

(71) Applicant: **Veronica Kummerfeldt**, Chino Hills,
CA (US)

(72) Inventor: **Veronica Kummerfeldt**, Chino Hills,
CA (US)

(**) Term: **14 Years**

(21) Appl. No.: **29/490,808**

(22) Filed: **May 13, 2014**

(51) **LOC (10) CL.** **09-03**

(52) **U.S. Cl.**
USPC **D9/432; D9/433**

(58) **Field of Classification Search**
USPC D9/414-434, 442-445, 456-457, 542,
D9/563, 600, 614-624, 655, 657, 658, 661,
D9/695, 697-699, 707-708, 711,
D9/772-776; D7/601, 602, 538, 540,
D7/550.1; D3/202, 203.5, 203.6, 205,
D3/304-306, 311, 314, 315; D6/370
CPC B65D 5/00; B65D 5/001; B65D 5/0015;
B65D 5/0227-5/0254; B65D 5/0045; B65D
5/18; B65D 5/2033; B65D 5/38; B65D 5/40;
B65D 1/22; B65D 1/225; B65D 1/24; B65D
1/34; B65D 1/38

See application file for complete search history.

(56) **References Cited**

U.S. PATENT DOCUMENTS

1,917,132	A *	7/1933	Labombarde	229/114
3,486,680	A *	12/1969	Negus, Jr.	229/120.1
D307,109	S *	4/1990	Dasher et al.	D9/418
5,335,844	A *	8/1994	Young	229/122.26
5,390,847	A *	2/1995	Young	229/122.21

6,354,487	B1 *	3/2002	Muise, Jr.	229/125.28
6,719,191	B1 *	4/2004	Christensen et al.	229/122.26
D570,684	S *	6/2008	Kisch	D9/756
D578,883	S *	10/2008	Kisch	D9/432
D608,634	S *	1/2010	Riedi	D9/432
D651,076	S *	12/2011	Van Berlo	D9/433
2006/0213958	A1 *	9/2006	Valenzuela et al.	229/120

* cited by examiner

Primary Examiner — Susan Bennett Hattan

Assistant Examiner — Vy Koenig

(74) *Attorney, Agent, or Firm* — Stetina Brunda Garred & Brucker

(57) **CLAIM**

The ornamental design for a storage crate, as shown and described.

DESCRIPTION

FIG. 1 is a top, front, right side perspective view of the storage crate assembly of the present invention showing my new design;

FIG. 2 is a top, rear, right side perspective view thereof;

FIG. 3 is a top, front perspective view thereof;

FIG. 4 is a top, front, left side, partially exploded perspective view thereof;

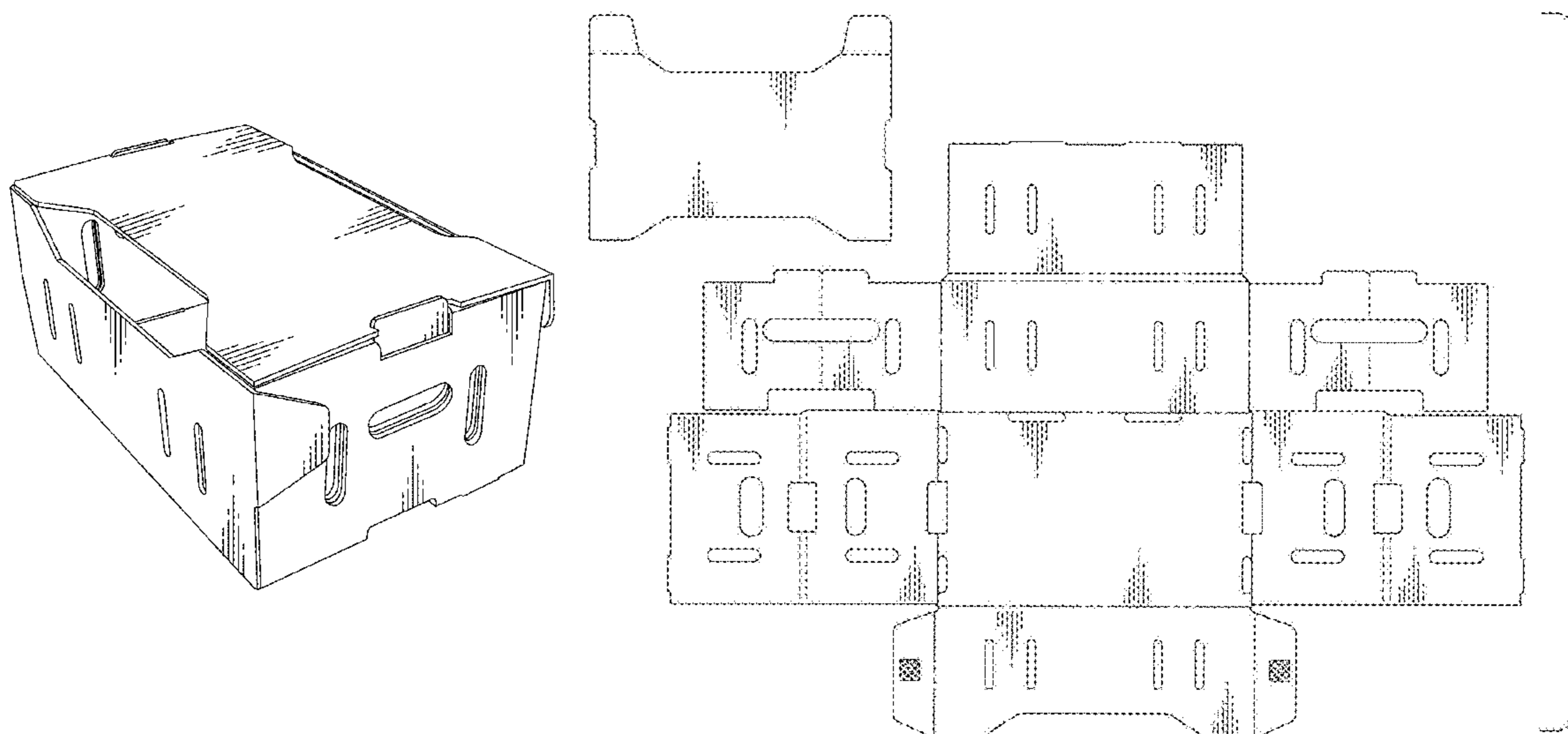
FIG. 5 is a top plan view thereof in an unassembled, unfolded state;

FIG. 6 is a bottom plan view thereof in an unassembled, unfolded state; and,

FIG. 7 is a side elevational view thereof in an unassembled, unfolded state.

The broken lines shown in FIGS. 4-6 illustrate fold lines and form no part of the claimed design.

1 Claim, 4 Drawing Sheets



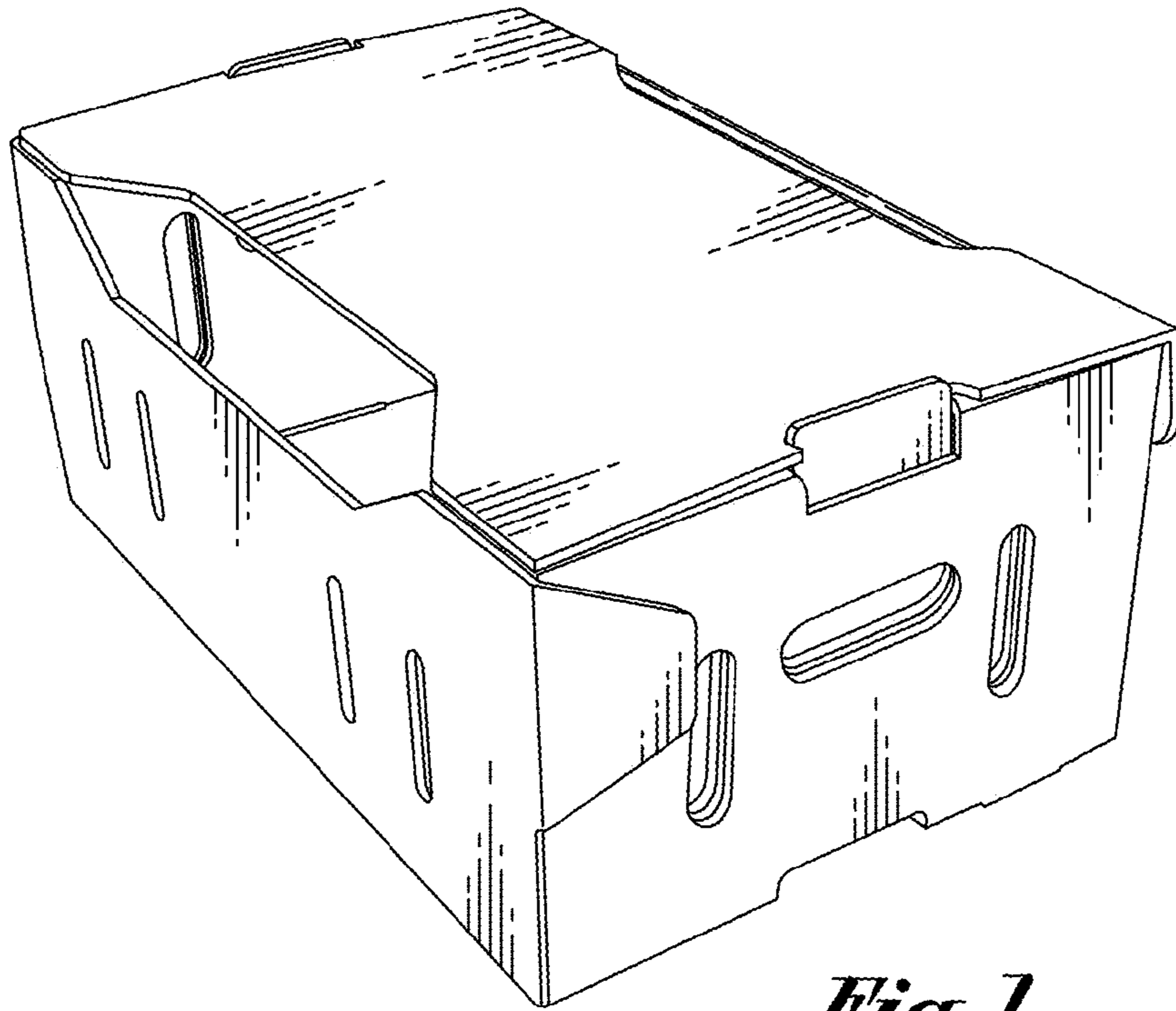


Fig. 1

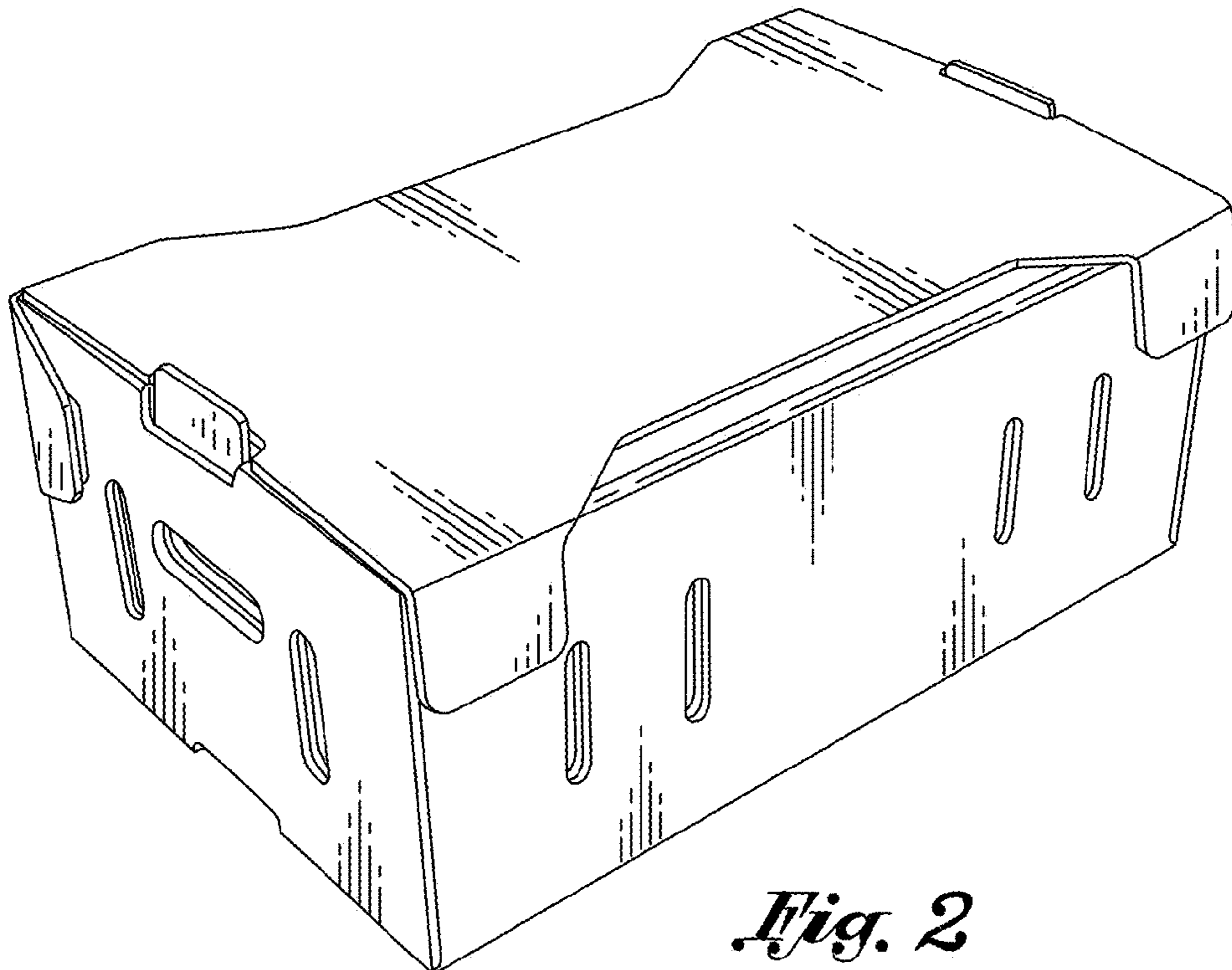


Fig. 2

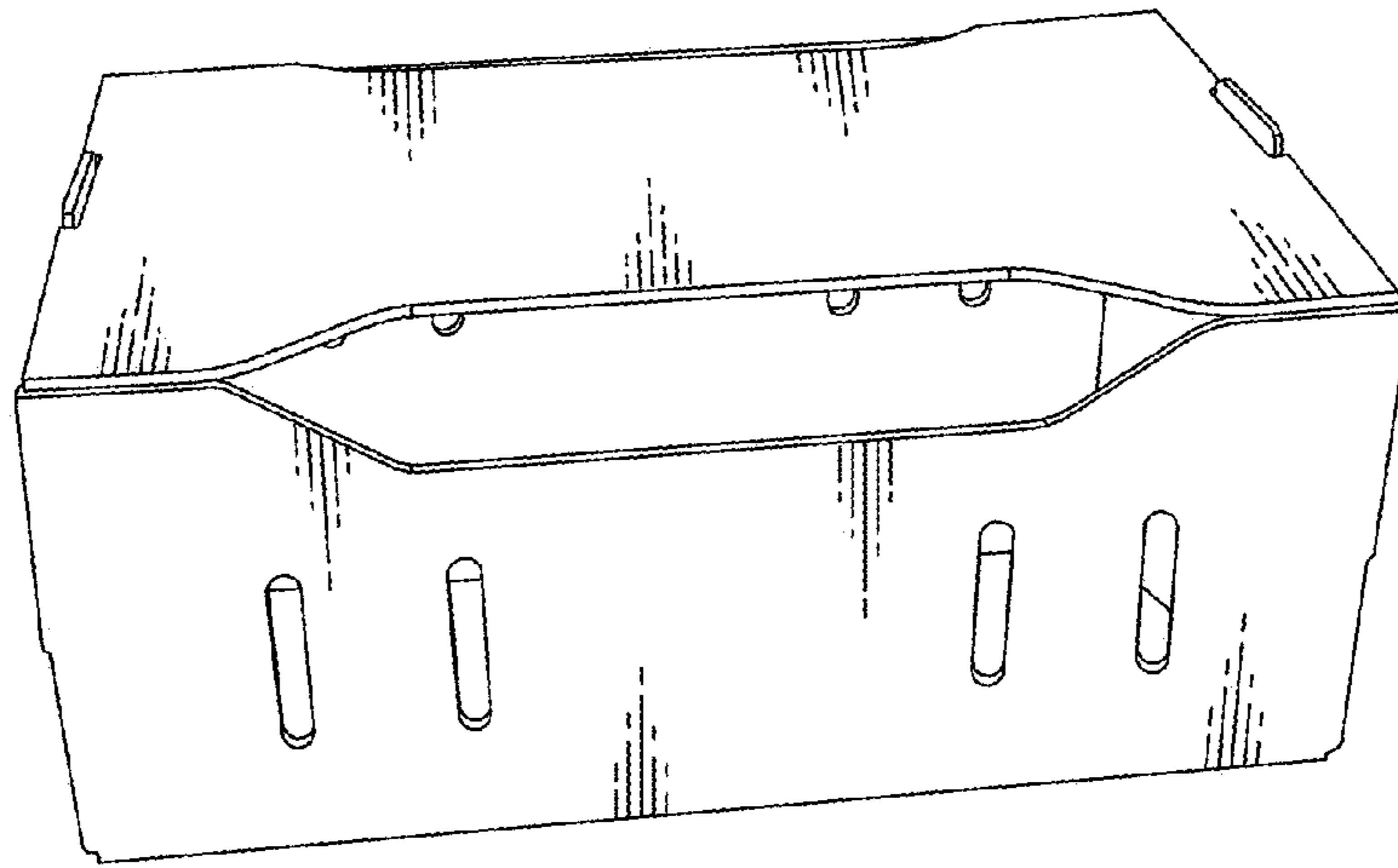


Fig. 3

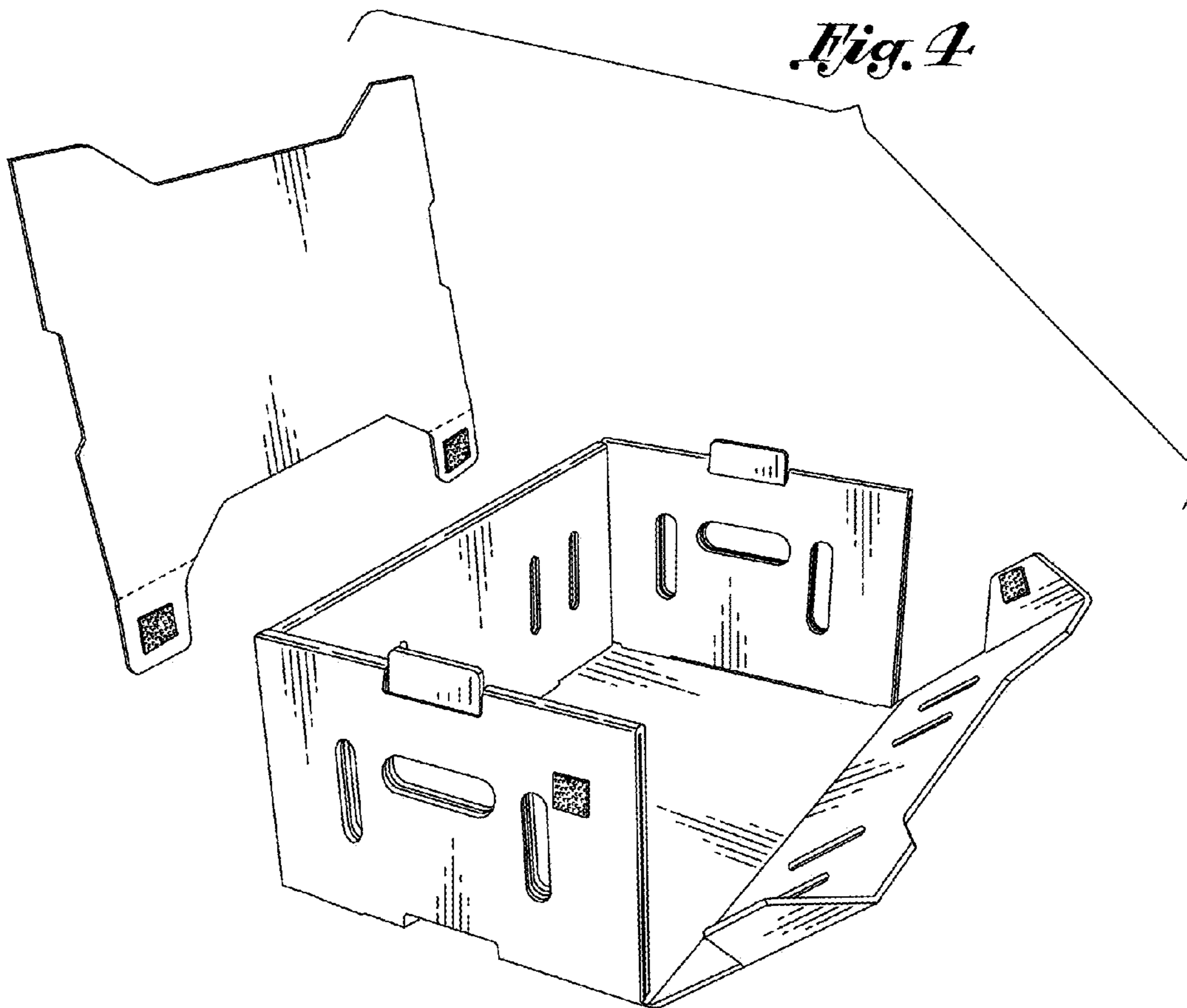


Fig. 4

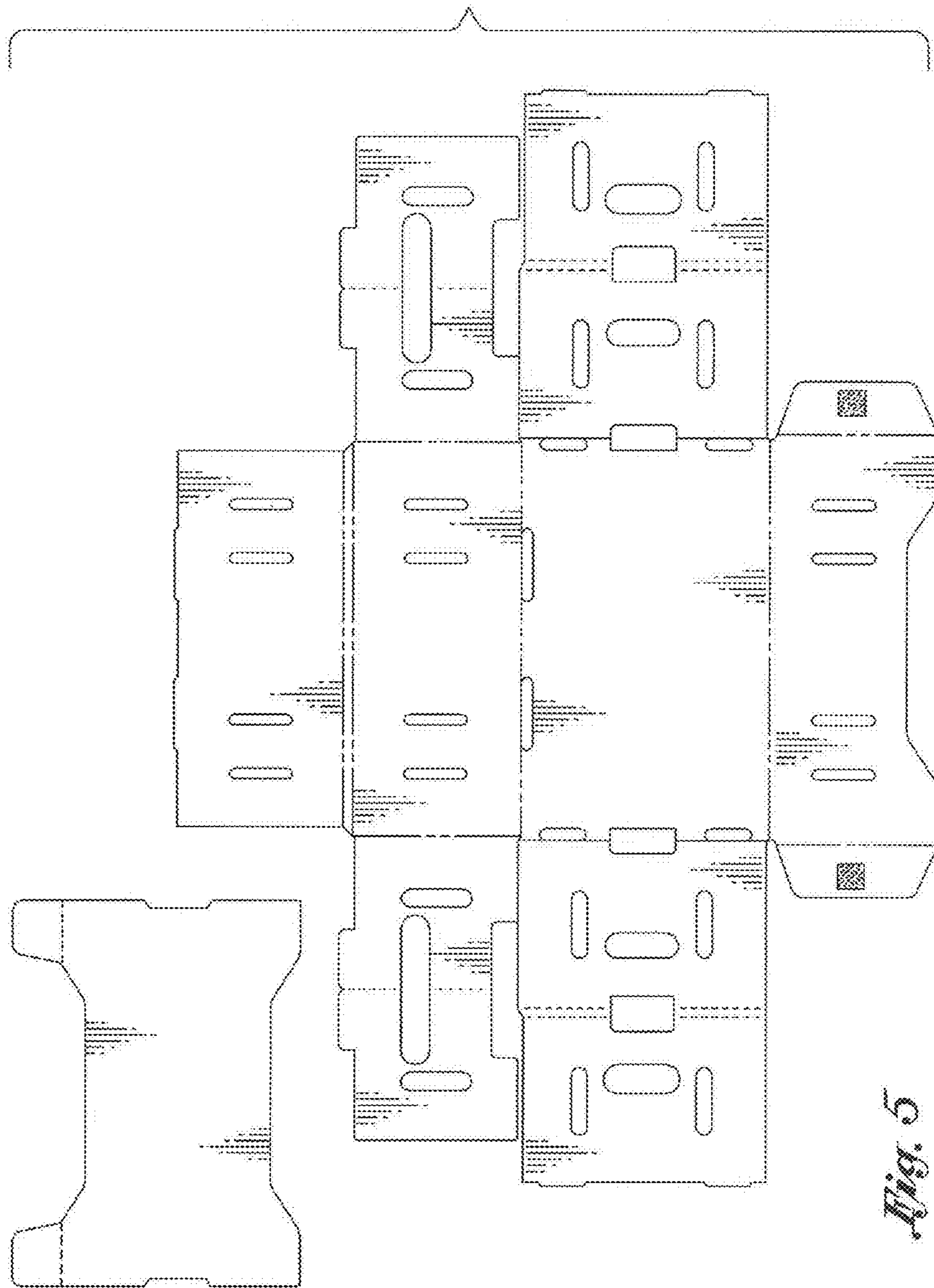


Fig. 5

