



US00D749941S

(12) **United States Design Patent**
Rodenhouse et al.

(10) **Patent No.:** **US D749,941 S**
(45) **Date of Patent:** **** Feb. 23, 2016**

- (54) **THERMAL BREAK WASHER**
- (71) Applicant: **Rodenhouse, Inc.**, Grand Rapids, MI (US)
- (72) Inventors: **Robert H. Rodenhouse**, Grand Rapids, MI (US); **Jason R. Wigboldy**, Grand Rapids, MI (US)
- (73) Assignee: **Rodenhouse, Inc.**, Grand Rapids, MI (US)
- (**) Term: **14 Years**
- (21) Appl. No.: **29/521,024**
- (22) Filed: **Mar. 19, 2015**

Related U.S. Application Data

- (63) Continuation of application No. 29/503,894, filed on Sep. 30, 2014, now abandoned.
- (51) **LOC (10) Cl.** **08-08**
- (52) **U.S. Cl.**
USPC **D8/399**
- (58) **Field of Classification Search**
USPC D8/397, 394, 382, 349, 312, 107, 399;
D11/222; D2/869
CPC F16L 19/0206; B60B 3/16; F16B 39/26;
F16B 39/24; F16B 37/02; F16B 31/02;
H01R 9/0524
See application file for complete search history.

(56) **References Cited**

U.S. PATENT DOCUMENTS

- D32,793 S 6/1900 Fauber
- 3,069,919 A * 12/1962 Schultz, Jr. F16H 55/44
474/169
- 4,102,239 A 7/1978 Dallas
- 4,292,876 A * 10/1981 De Graan F16B 43/001
411/369
- 4,793,757 A 12/1988 Peterson

- 5,079,055 A 1/1992 Doyle
- 5,419,666 A 5/1995 Best
- 5,423,858 A 6/1995 Bolanos et al.
- 5,517,883 A 5/1996 Goldi et al.
- 5,541,377 A 7/1996 Stuhlmacher
- 5,755,545 A * 5/1998 Banks E04D 3/3606
411/482
- 5,833,422 A 11/1998 Haga et al.
- D410,869 S * 6/1999 Singer D12/114
- 6,039,525 A 3/2000 Johnson

(Continued)

OTHER PUBLICATIONS

Brochure disclosing 2" diameter Plasti-Grip® PBLP2 washer distributed by Rodenhouse Inc. more than one year prior to Sep. 6, 2012.

(Continued)

Primary Examiner — Cynthia Underwood

(74) *Attorney, Agent, or Firm* — Gardner, Linn, Burkhardt & Flory LLP

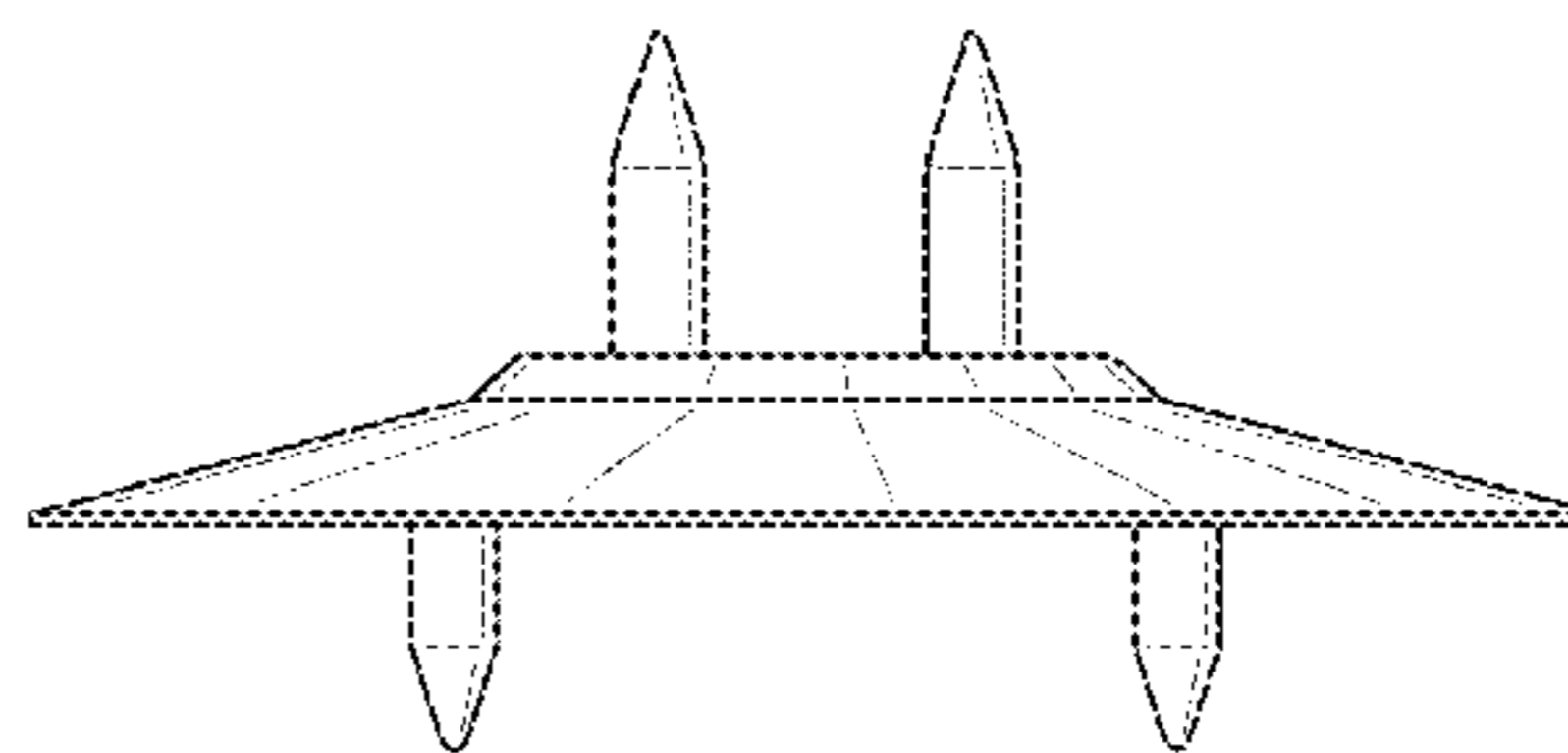
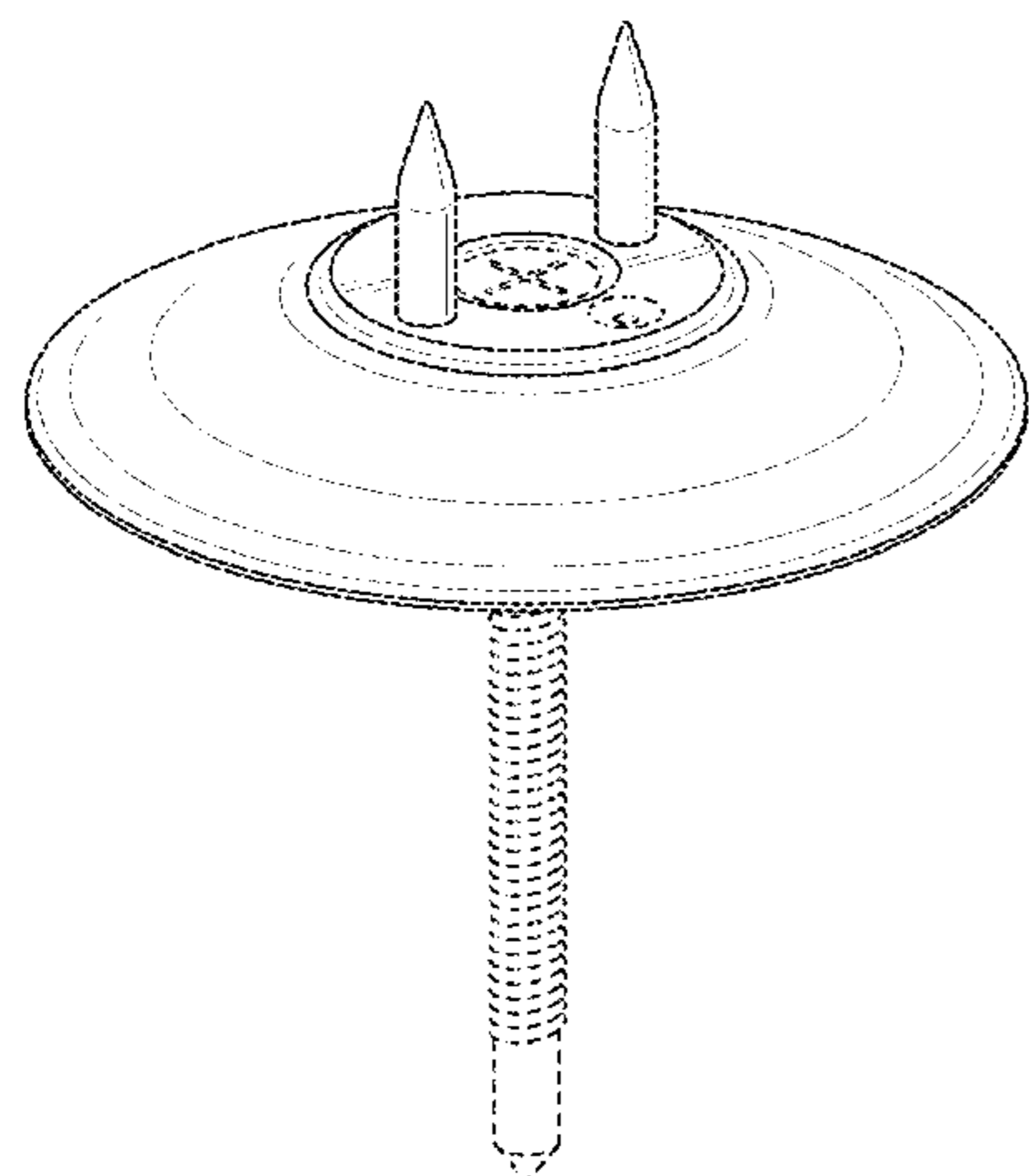
(57) **CLAIM**

The ornamental design for the thermal break washer, as shown and described.

DESCRIPTION

FIG. 1 is a top side perspective view of the thermal break washer showing the design in an environment of use;
 FIG. 2 is a top perspective view of the thermal break washer of FIG. 1;
 FIG. 3 is a top plan view of the thermal break washer of FIG. 1;
 FIG. 4 is a bottom plan view of the thermal break washer of FIG. 1;
 FIG. 5 is a side elevation view of the thermal break washer of FIG. 1; and,
 FIG. 6 is a bottom side perspective view of the thermal break washer of FIG. 1.
 The broken lines depict environmental subject matter and form no part of the claim.

1 Claim, 6 Drawing Sheets



(56)

References Cited

U.S. PATENT DOCUMENTS

6,231,063 B1 * 5/2001 Chi B62K 21/06
280/276

D482,270 S 11/2003 Derilo

D517,404 S * 3/2006 Schluter D8/387

D549,091 S 8/2007 McIntyre et al.

D576,480 S 9/2008 Vakiener et al.

D596,934 S 7/2009 Vakiener et al.

D634,248 S * 3/2011 Chen D12/177

7,896,380 B2 * 3/2011 Tange B62K 19/32
280/276

D644,921 S * 9/2011 Hsu D8/399

D645,337 S * 9/2011 Hsu D8/399

D660,691 S 5/2012 Yamazaki

D663,243 S * 7/2012 Li D12/118

D679,169 S 4/2013 Else

D679,572 S 4/2013 Attaway

8,413,740 B2 4/2013 Rodenhouse

D682,666 S 5/2013 Wigboldy

D696,930 S 1/2014 Rodenhouse et al.

D696,931 S 1/2014 Rodenhouse et al.

D696,932 S 1/2014 Rodenhouse et al.

8,753,042 B1 * 6/2014 Thompson F16B 5/0692
405/259.1

D710,191 S * 8/2014 Yamazaki D8/399

D719,798 S * 12/2014 Thompson D8/1

2004/0060723 A1 * 4/2004 Pallapothu B60R 16/0222
174/653

2004/0084099 A1 * 5/2004 Miura F16L 55/1141
138/89

2006/0171794 A1 8/2006 Ordonio, Jr. et al.

2008/0310932 A1 12/2008 McIntyre et al.

OTHER PUBLICATIONS

Brochure disclosing 1-3/4" diameter Plasti-Grip® CBW washer distributed by Rodenhouse Inc. more than one year prior to Sep. 6, 2012.

Brochure disclosing 1-1/4" diameter Grip-Plate® Tab washer distributed by Rodenhouse Inc. more than one year prior to Sep. 6, 2012.

Brochure disclosing 1-1/4" diameter Grip-Plate® Plastic washer distributed by Rodenhouse Inc. more than one year prior to Sep. 6, 2012.

Brochure disclosing 2" diameter Plasti-Grip® CBW2 washer distributed by Rodenhouse Inc. more than one year prior to Sep. 6, 2012.

Brochure disclosing 1-3/4" diameter Plasti-Grip® III washer distributed by Rodenhouse Inc. more than one year prior to Sep. 6, 2012.

Brochure disclosing Plasti-Grip® PMF Plastic Masonry Fastener distributed by Rodenhouse Inc. more than one year prior to Sep. 6, 2012.

Brochure disclosing 3" diameter Grip-Lok® "Hurricane" washer distributed by Rodenhouse Inc. more than one year prior to Sep. 6, 2012.

* cited by examiner

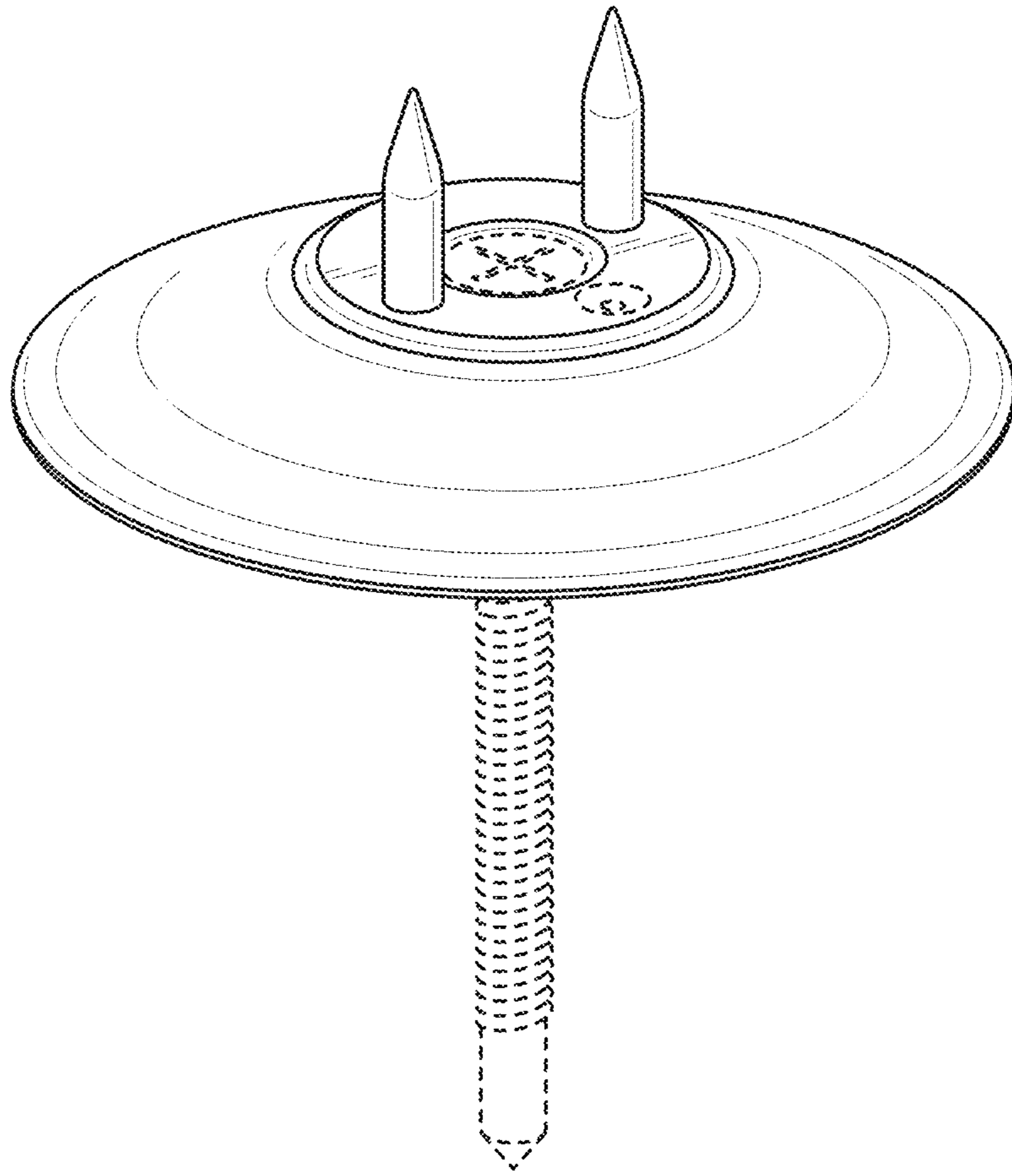


FIG. 1

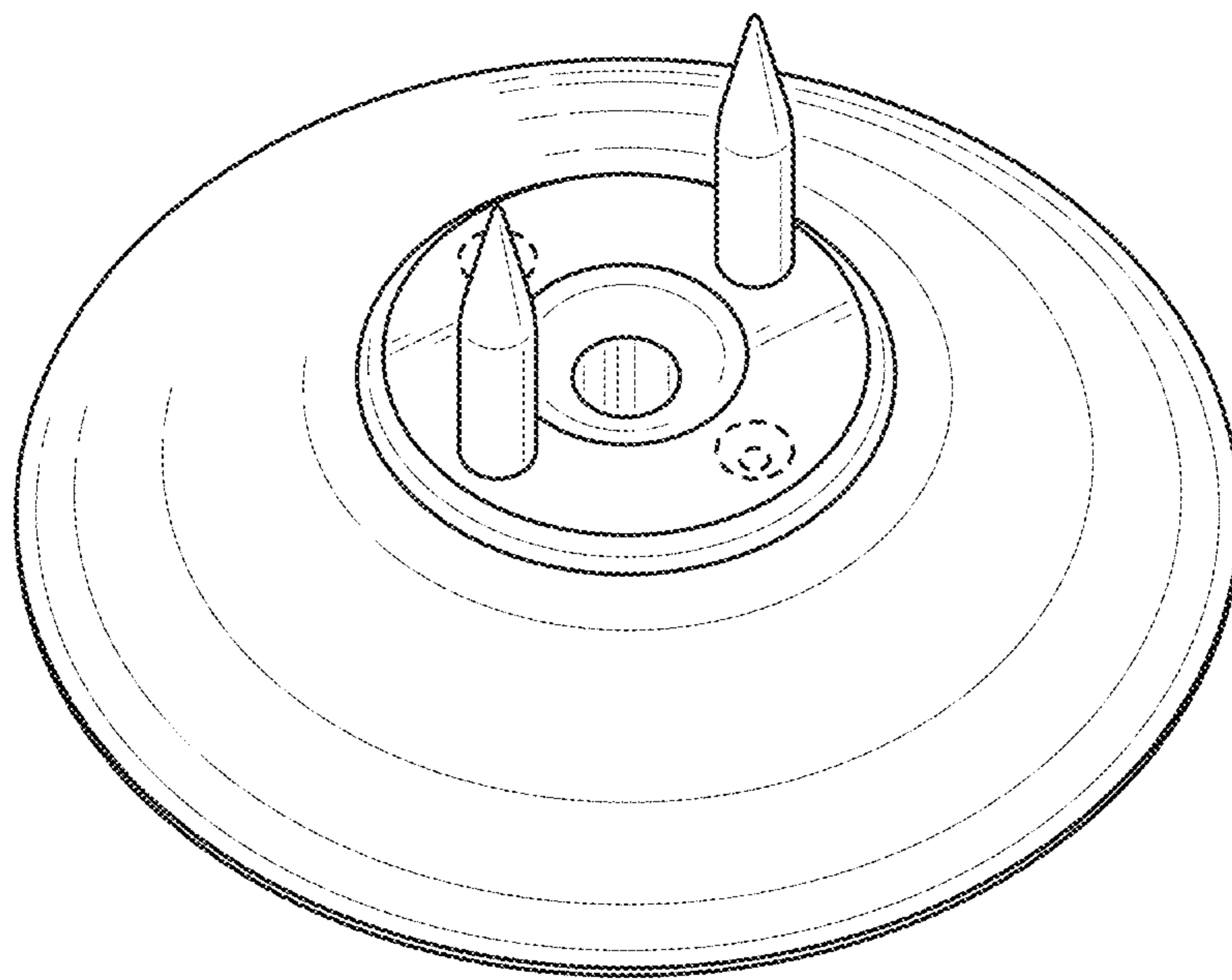


FIG. 2

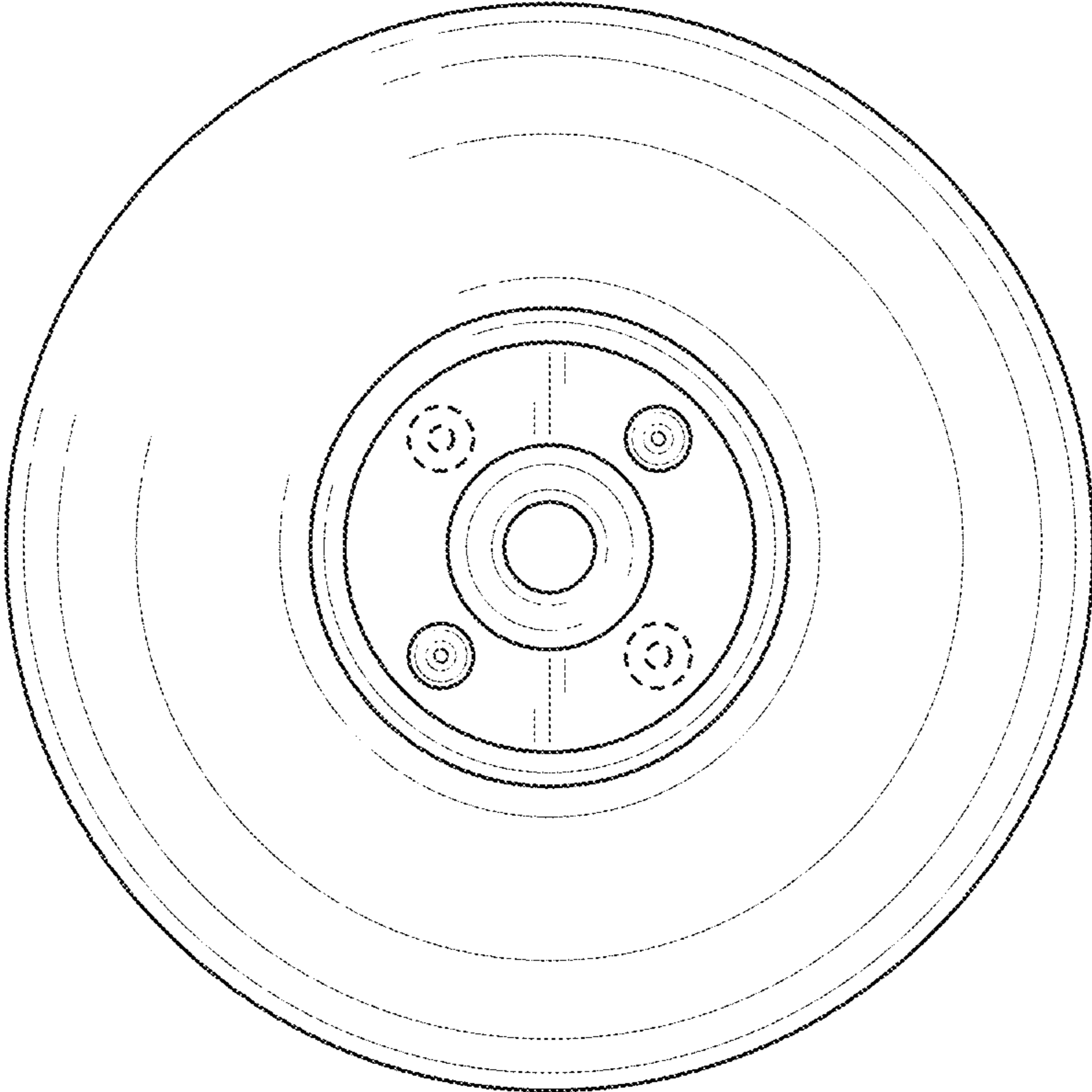


FIG. 3

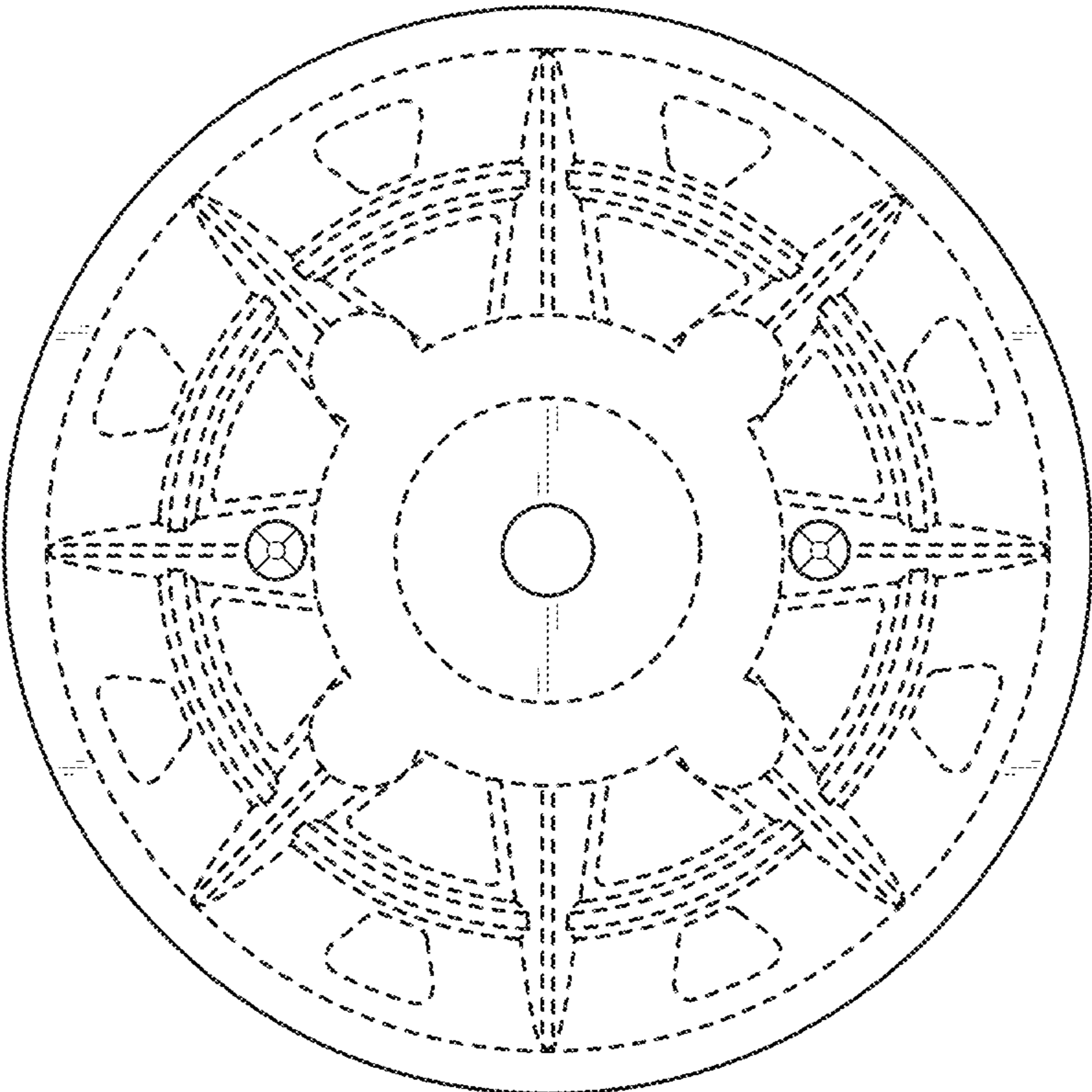


FIG. 4

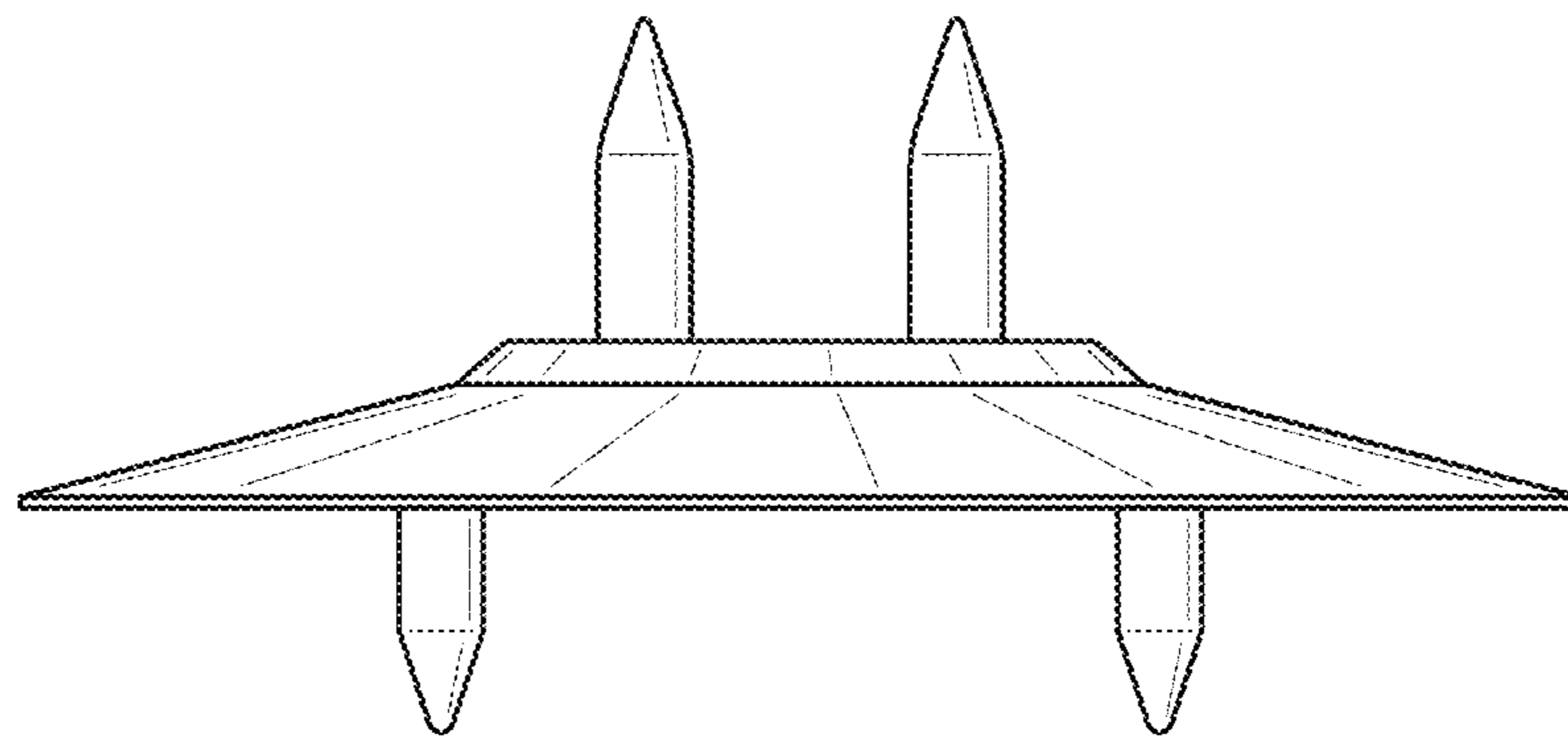


FIG. 5

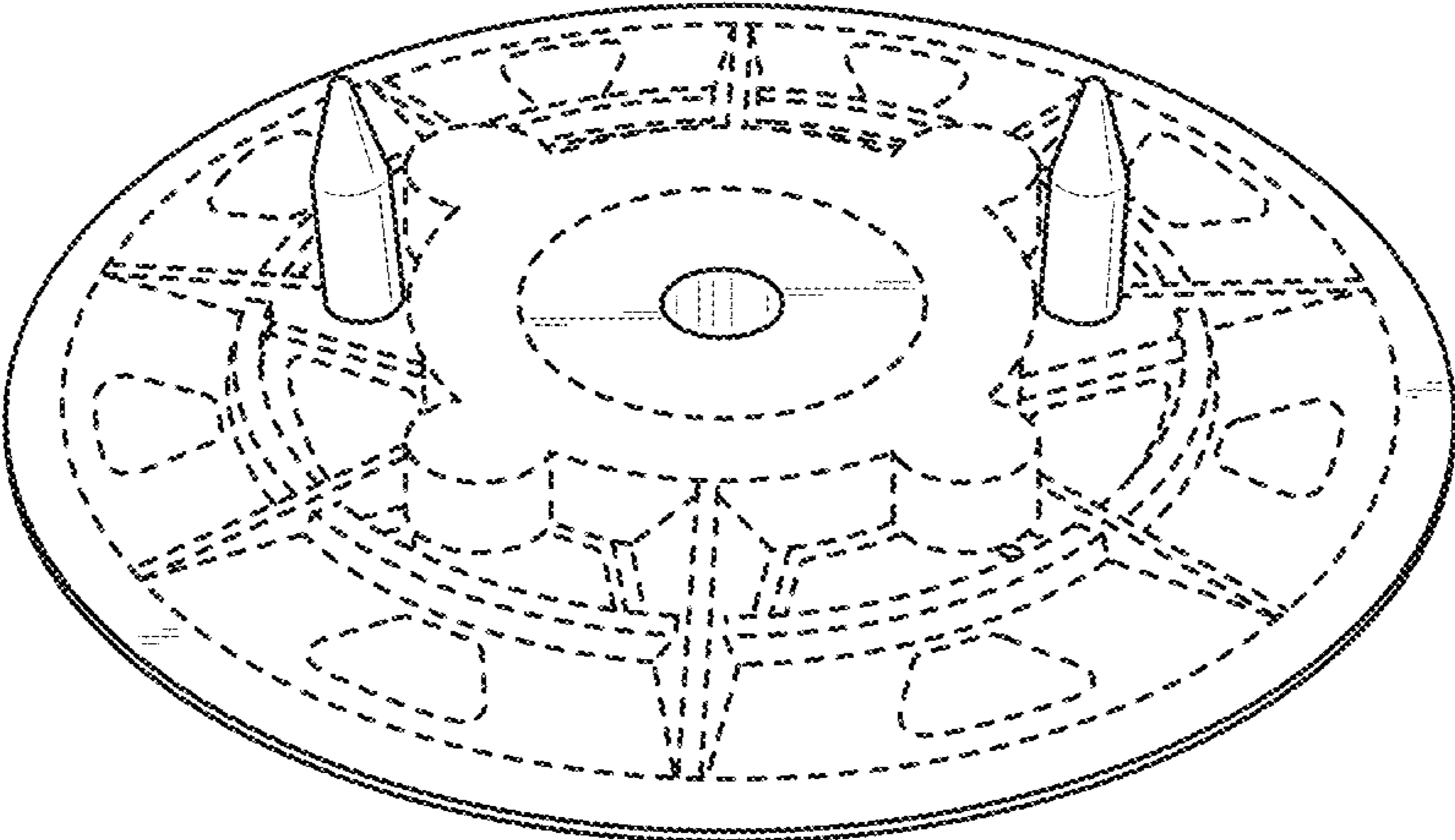


FIG. 6