



US00D749940S

(12) **United States Design Patent**  
**Hermle**

(10) **Patent No.:** **US D749,940 S**

(45) **Date of Patent:** **\*\* Feb. 23, 2016**

(54) **CLAMPING DEVICE**

(71) Applicant: **Karl Storz GmbH & Co. KG,**  
Tuttingen (DE)

(72) Inventor: **Rainer Hermle,** Gosheim (DE)

(73) Assignee: **Karl Storz GmbH & Co. KG,**  
Tuttingen (DE)

(\*\*) Term: **14 Years**

(21) Appl. No.: **29/477,667**

(22) Filed: **Dec. 24, 2013**

(30) **Foreign Application Priority Data**

Jun. 27, 2013 (EM) ..... 002264101-0002

(51) **LOC (10) Cl.** ..... **08-08**

(52) **U.S. Cl.**  
USPC ..... **D8/394; D8/72**

(58) **Field of Classification Search**  
USPC ..... D8/354, 356, 371, 394-396, 72;  
D19/65, 86; D24/128; 248/74.2, 215,  
248/227.1, 49, 300, 301, 316.7, 51, 489;  
24/570, 3.12; D32/61; D11/78.1

See application file for complete search history.

(56) **References Cited**

U.S. PATENT DOCUMENTS

D453,671 S \* 2/2002 Von Fange ..... D8/72  
D487,864 S \* 3/2004 Varzino ..... D8/72  
D628,693 S \* 12/2010 Thuenker ..... D24/133  
D716,443 S \* 10/2014 Marguerie ..... D24/128

OTHER PUBLICATIONS

Short Instruction Manuel; Storz Karl Storz—Endoskope; Sep. 2012;  
16 pages.

\* cited by examiner

*Primary Examiner* — John Windmuller

(74) *Attorney, Agent, or Firm* — Whitmyer IP Group LLC

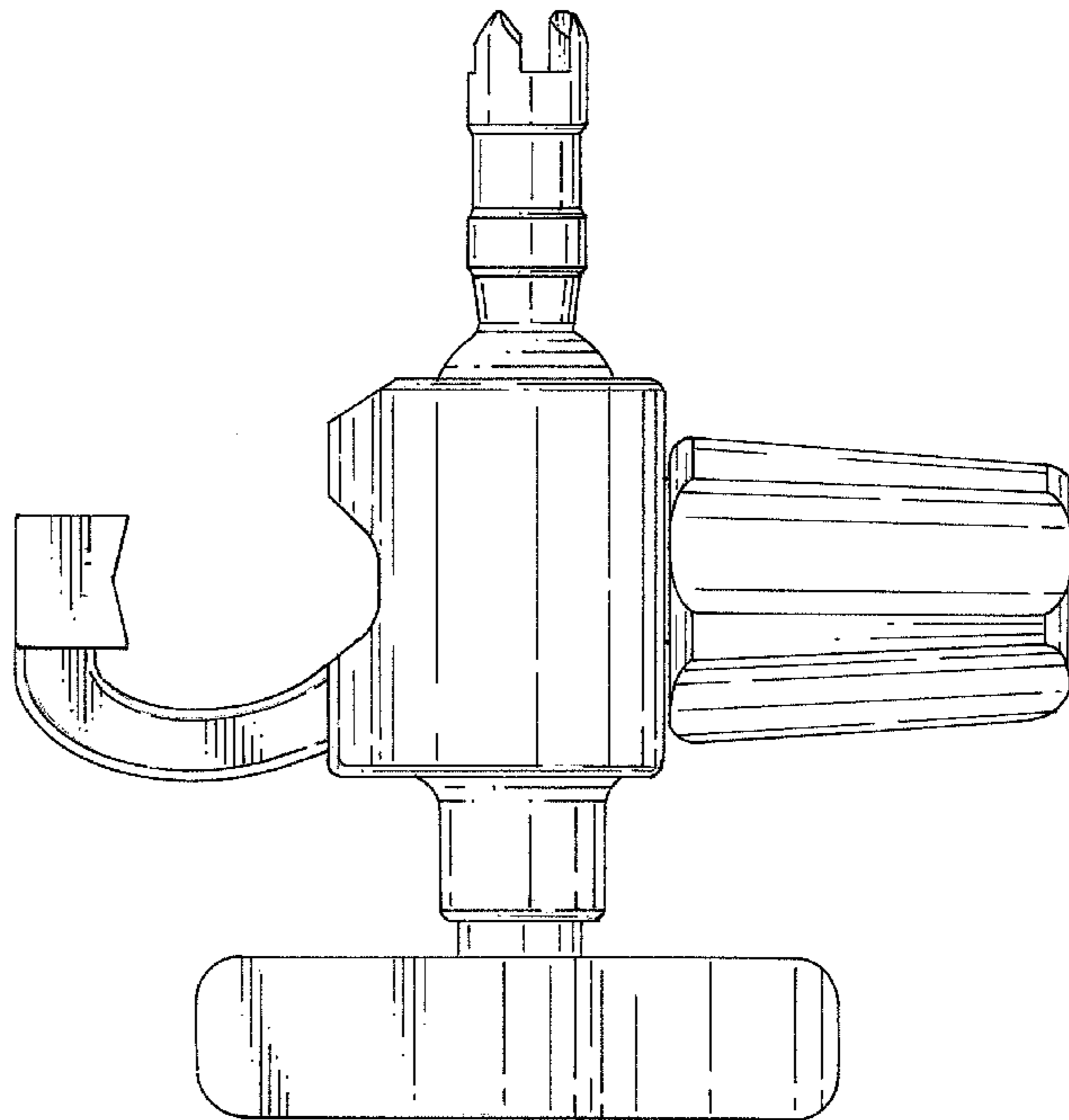
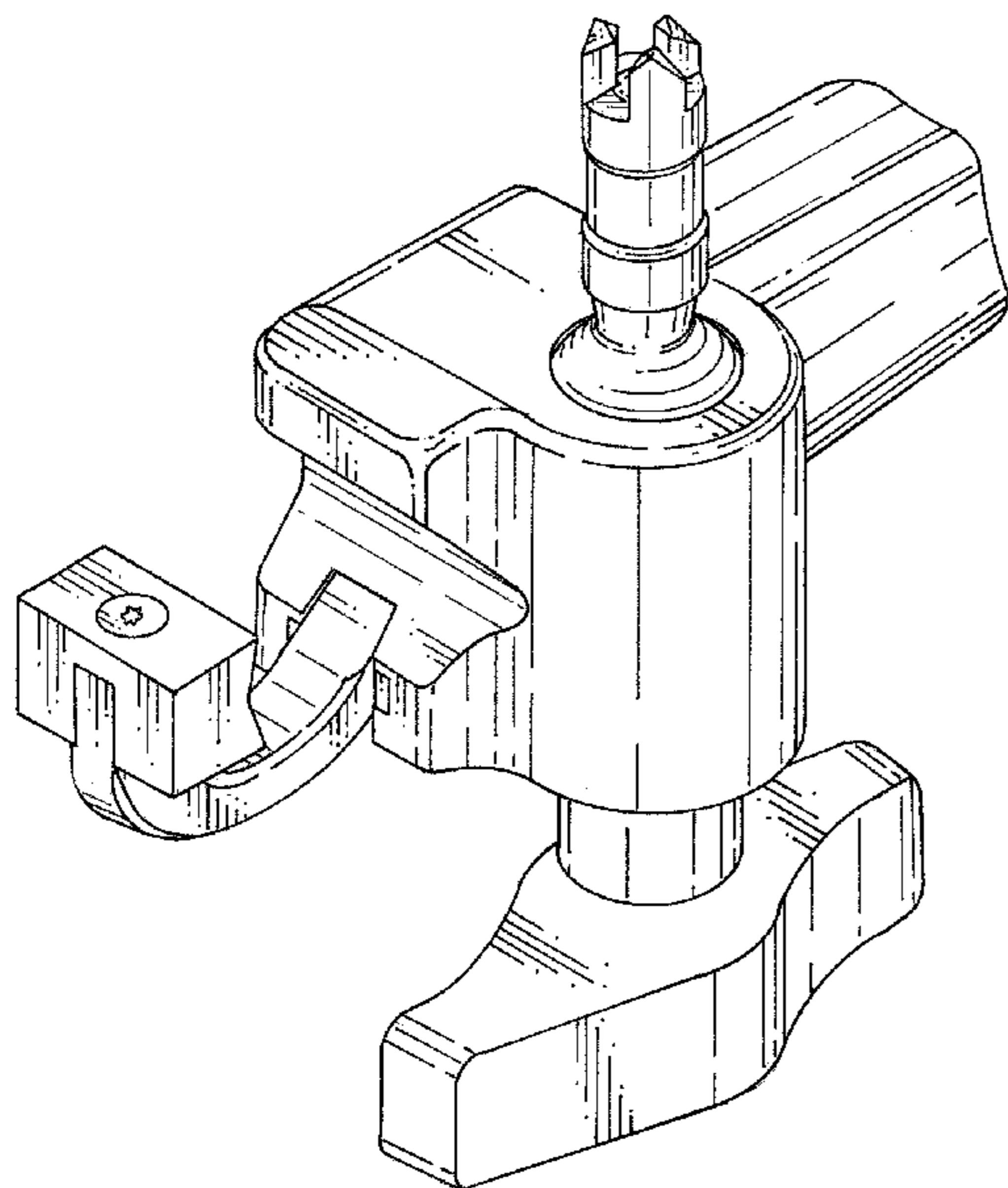
(57) **CLAIM**

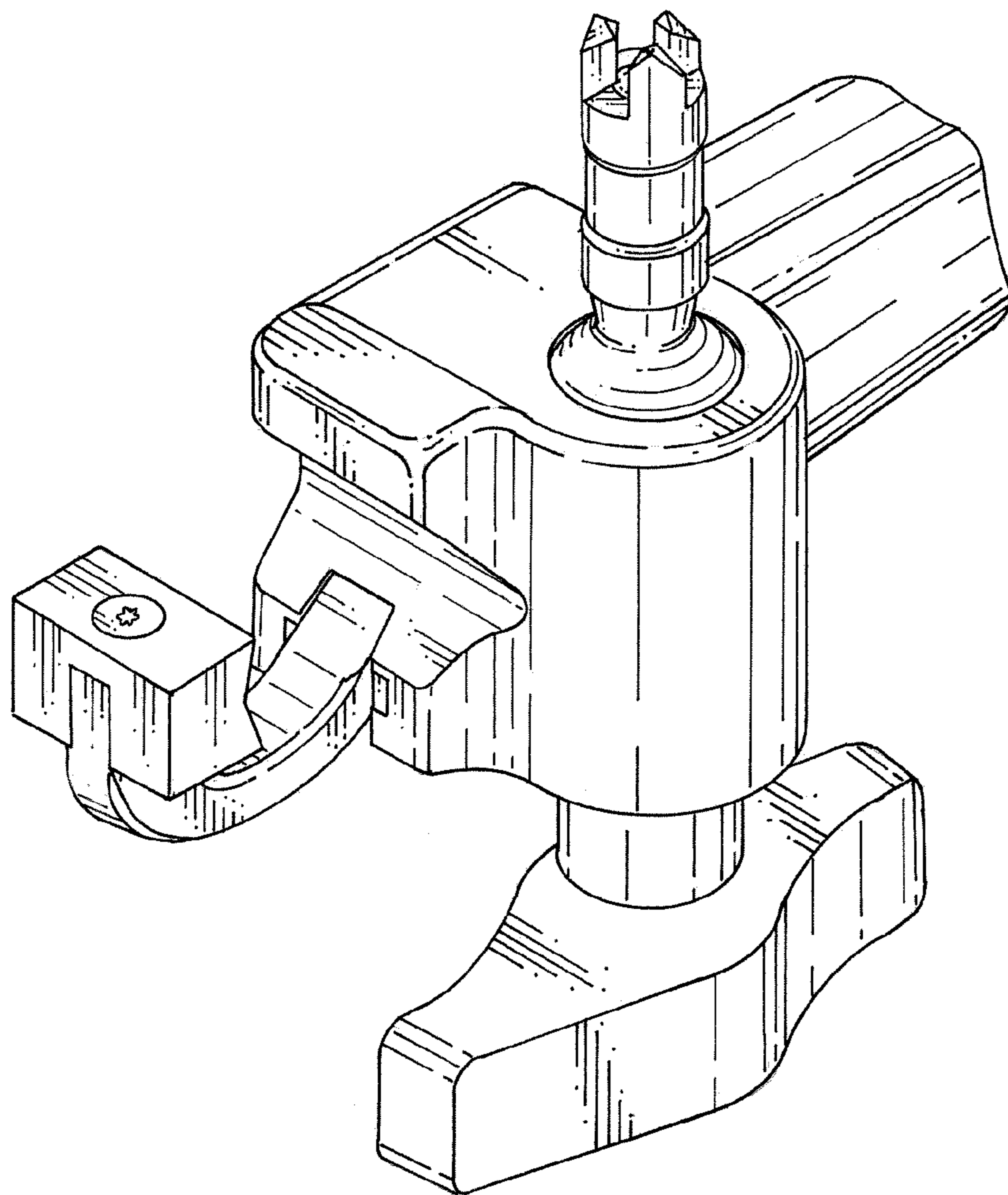
The ornamental design for a clamping device, as shown and  
described.

**DESCRIPTION**

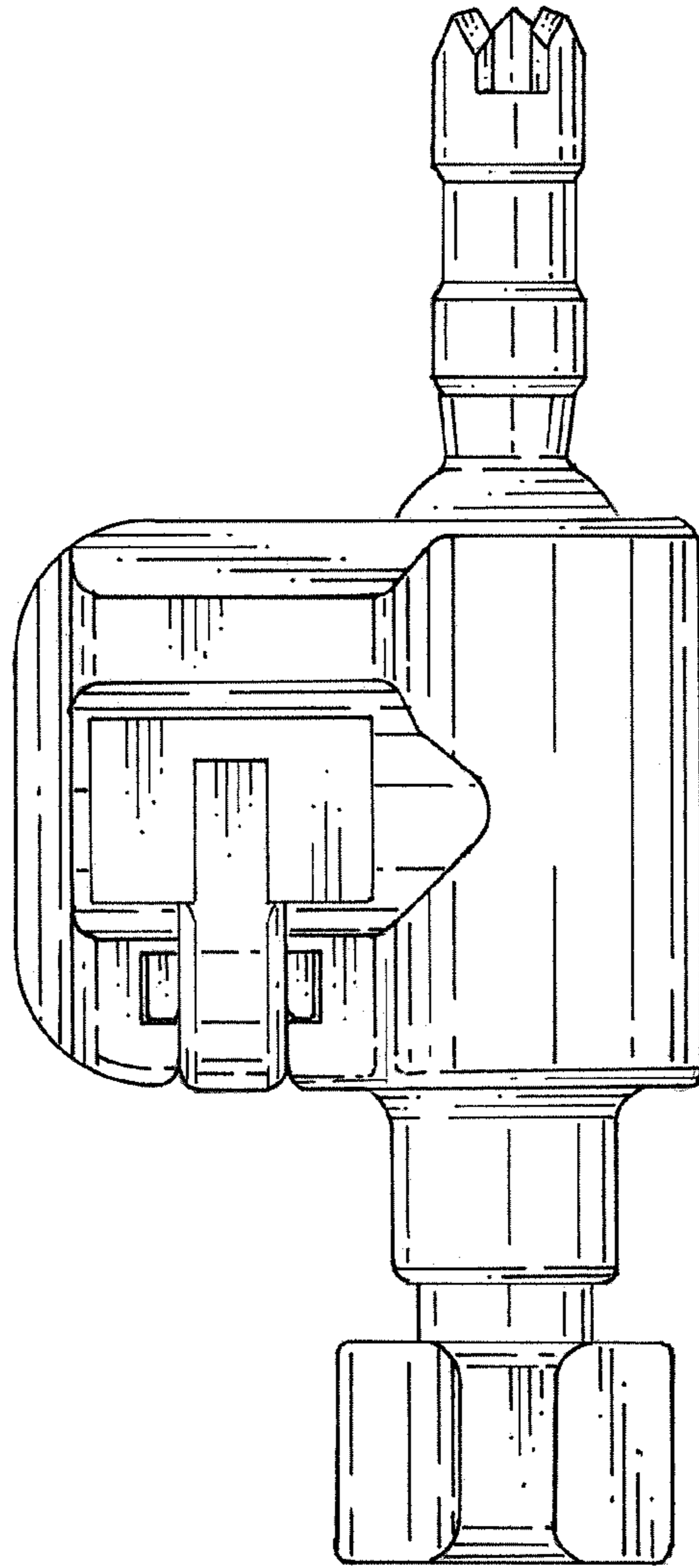
FIG. 1 is a front left side isometric view of a clamping device  
in accordance with the new design;  
FIG. 2 is a front elevational view thereof;  
FIG. 3 is a rear elevational view thereof;  
FIG. 4 is a right side elevational view thereof;  
FIG. 5 is a left side elevational view thereof;  
FIG. 6 is a top plan view thereof; and,  
FIG. 7 is a bottom plan view thereof.  
The broken lines shown in FIGS. 3 and 7 are included for the  
purpose of illustrating portions of the clamping device that  
form no part of the claimed design.

**1 Claim, 7 Drawing Sheets**

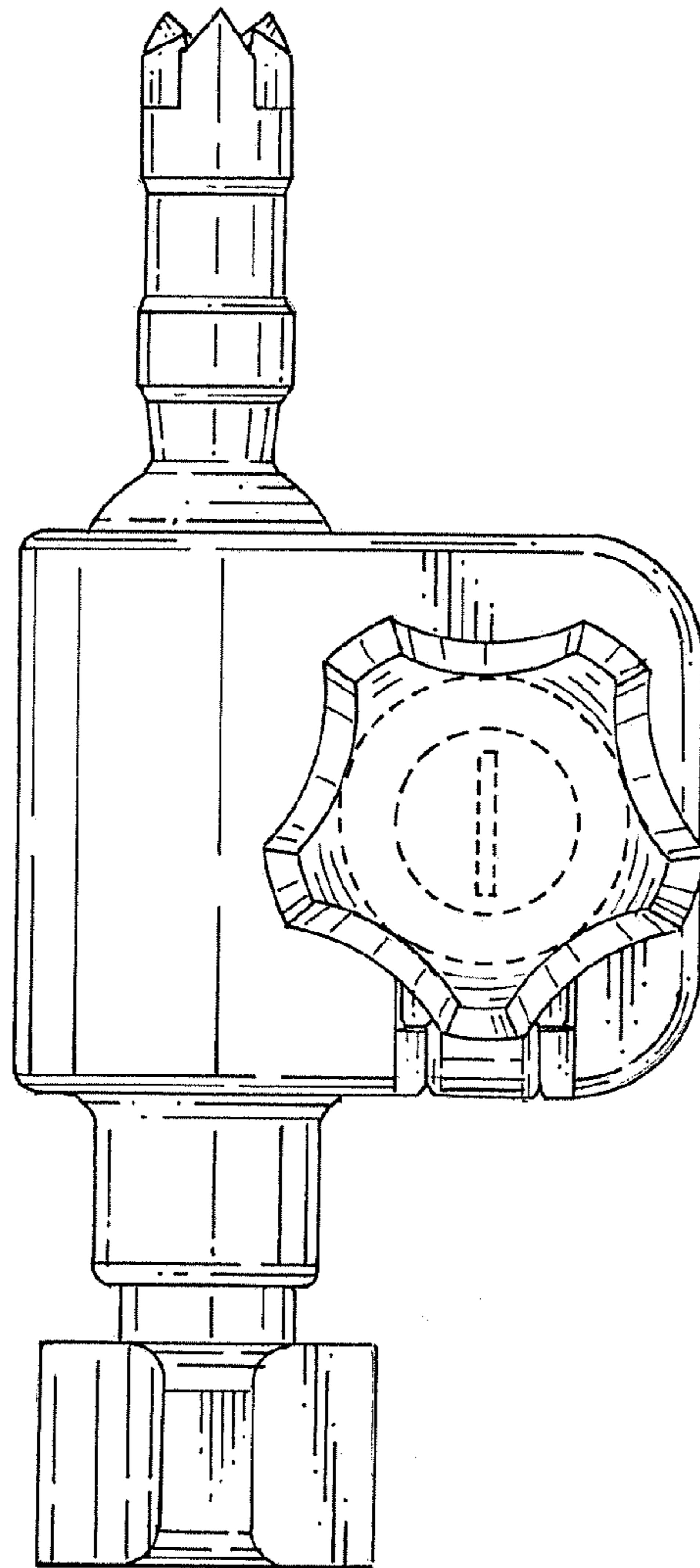




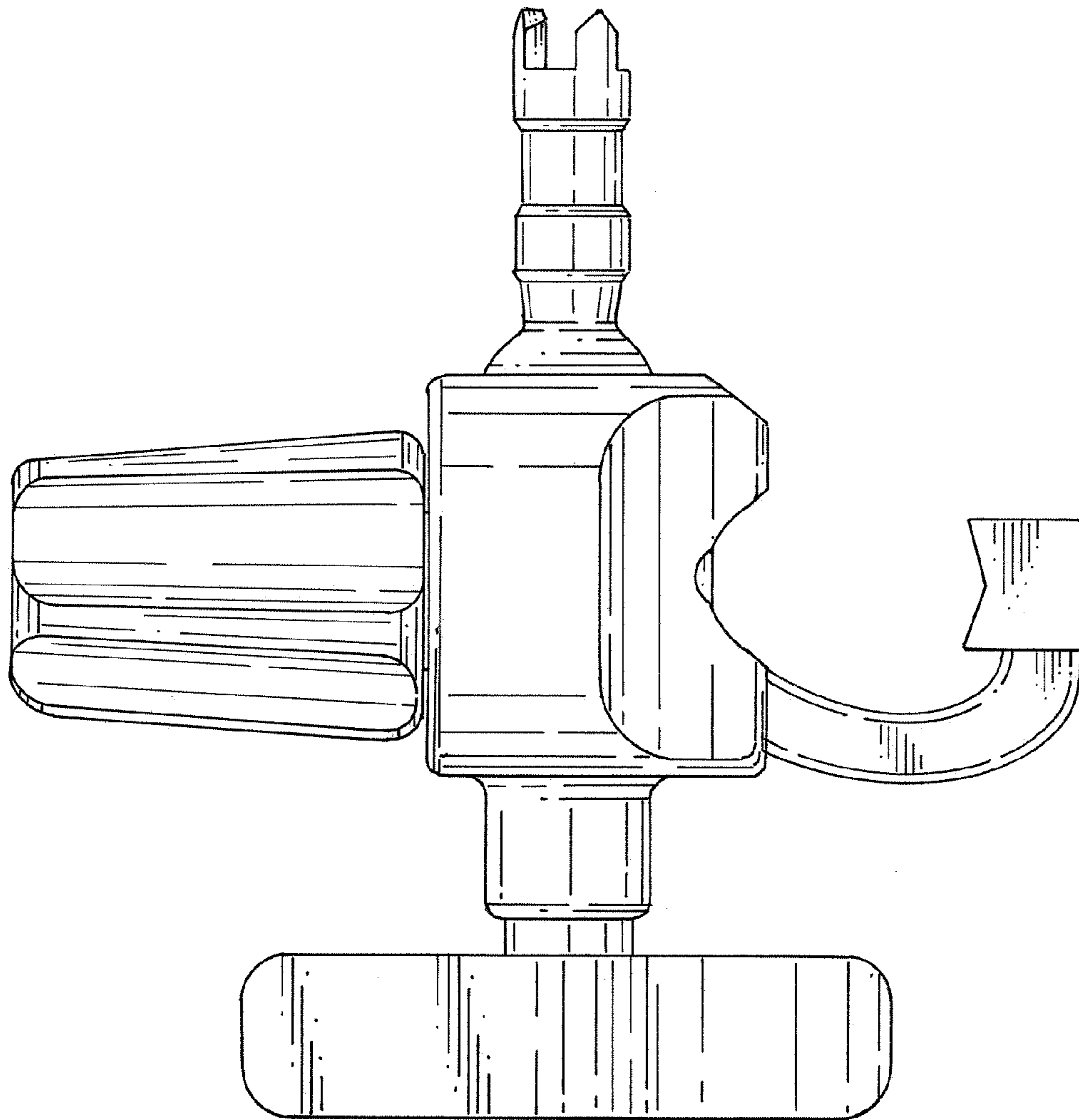
*FIG. 1*



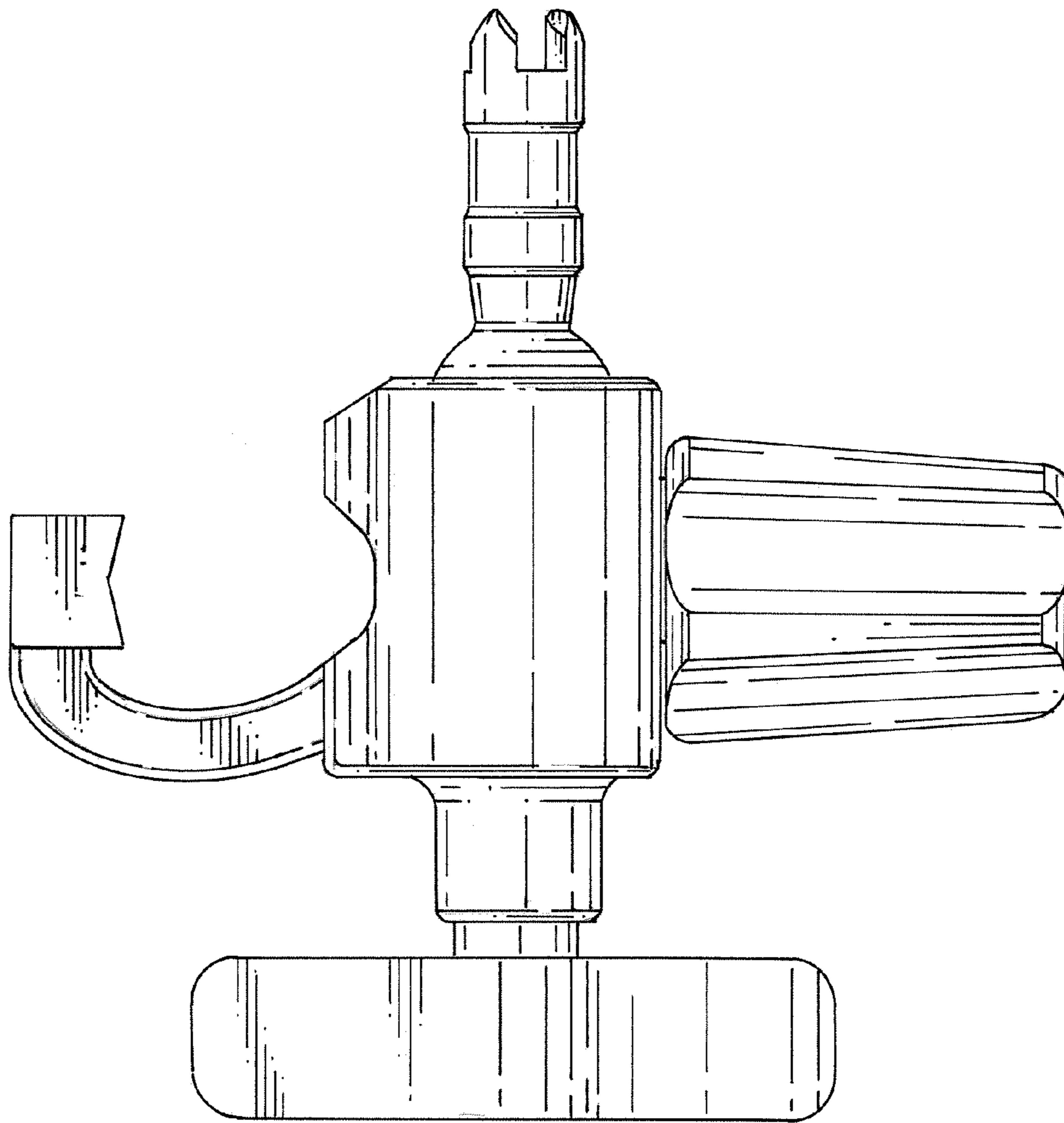
*FIG. 2*



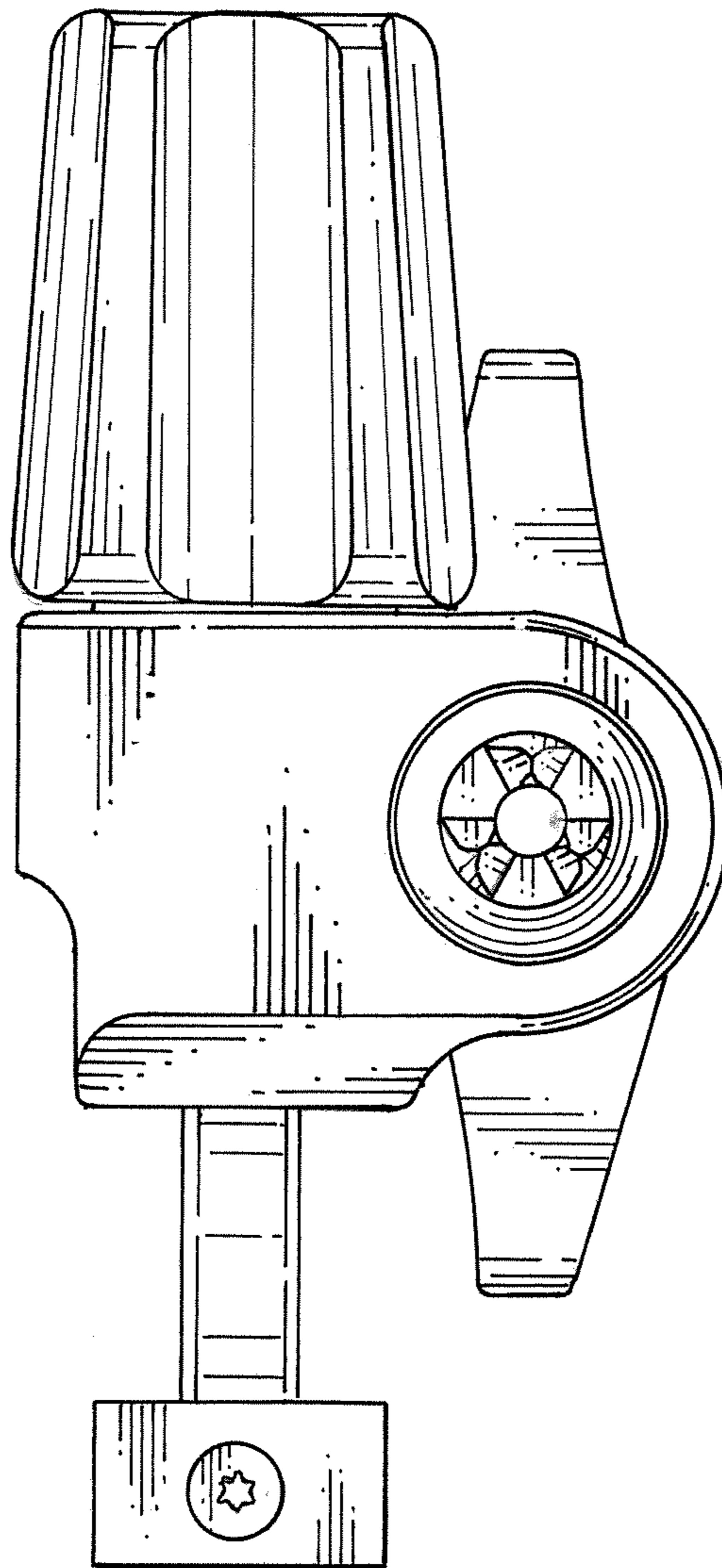
*FIG. 3*



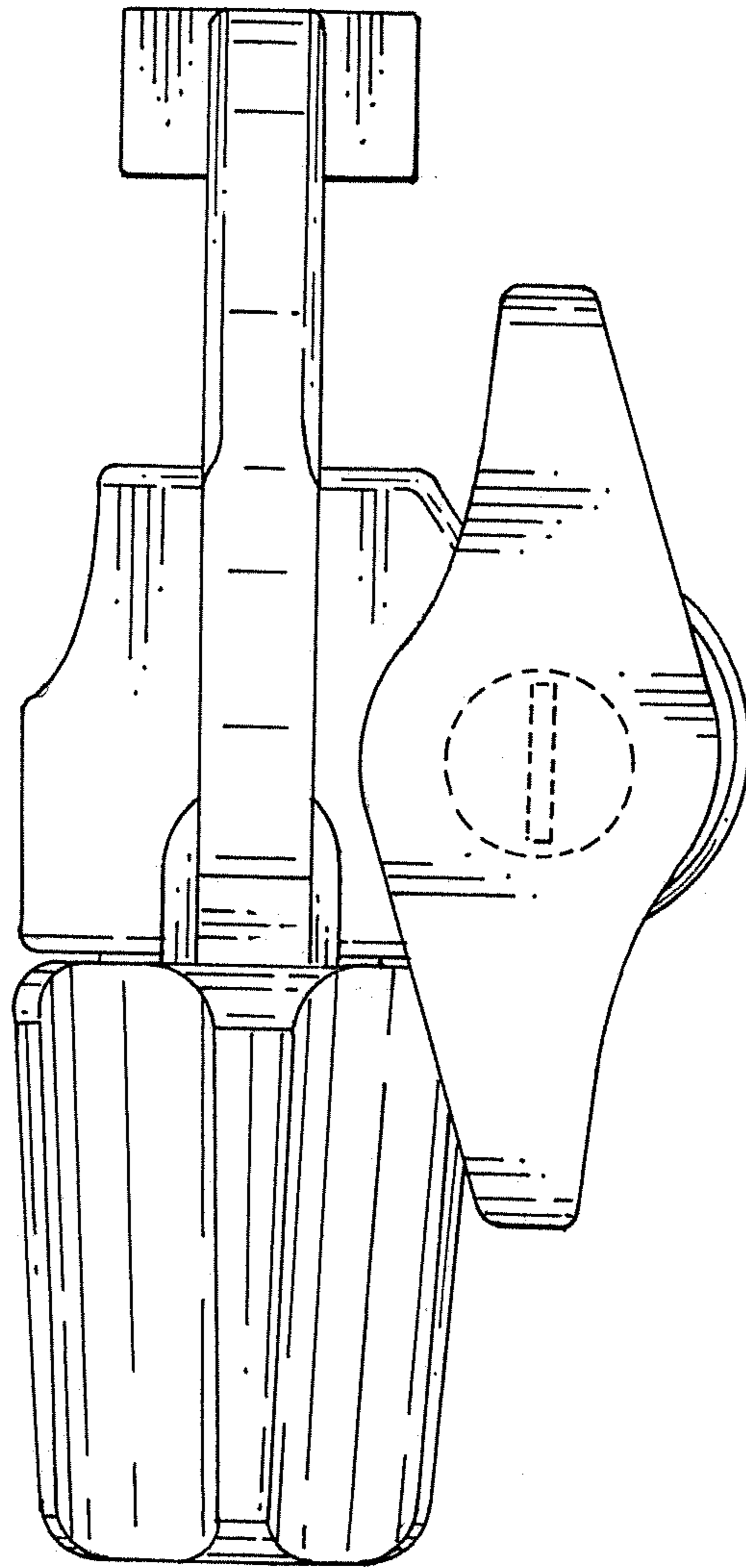
*FIG. 4*



*FIG. 5*



*FIG. 6*



*FIG. 7*