



US00D749939S

(12) **United States Design Patent**
Burress

(10) **Patent No.:** **US D749,939 S**

(45) **Date of Patent:** **** Feb. 23, 2016**

(54) **TAB FOR SOCK**

(71) Applicant: **Tracie Burress**, Rockford, IL (US)

(72) Inventor: **Tracie Burress**, Rockford, IL (US)

(73) Assignee: **Sock Tabs LLC**, Rockford, IL (US)

(**) Term: **14 Years**

(21) Appl. No.: **29/484,739**

(22) Filed: **Mar. 12, 2014**

(51) **LOC (10) Cl.** **08-08**

(52) **U.S. Cl.**
USPC **D8/389**

(58) **Field of Classification Search**
USPC D8/349, 354, 355, 382, 383, 388, 389,
D8/390, 391, 392, 394, 398, 499; D2/853,
D2/858, 859, 891, 895, 949, 993, 609, 623,
D2/643, 999; D11/206, 212, 215, 226,
D11/228, 231, 234, 235, 237, 184; D19/34,
D19/65
CPC . A45F 5/02; A45F 2005/023; A44B 18/0003;
D06F 95/008; A41B 11/002; Y10S 24/29;
B65D 67/02
See application file for complete search history.

(56) **References Cited**

U.S. PATENT DOCUMENTS

D29,472 S * 10/1898 Hughes 411/473
D166,864 S * 5/1952 Mecum D12/20

(Continued)

OTHER PUBLICATIONS

Akerman Shoes, image post date Nov. 2014, Site visited on Sep. 28, 2015 (online), <<http://www.akermanshoes.com/2014/11/>>.*

(Continued)

Primary Examiner — Ian Simmons
Assistant Examiner — Ieisha Price

(74) *Attorney, Agent, or Firm* — Reinhart Boerner Van Deuren P.C.

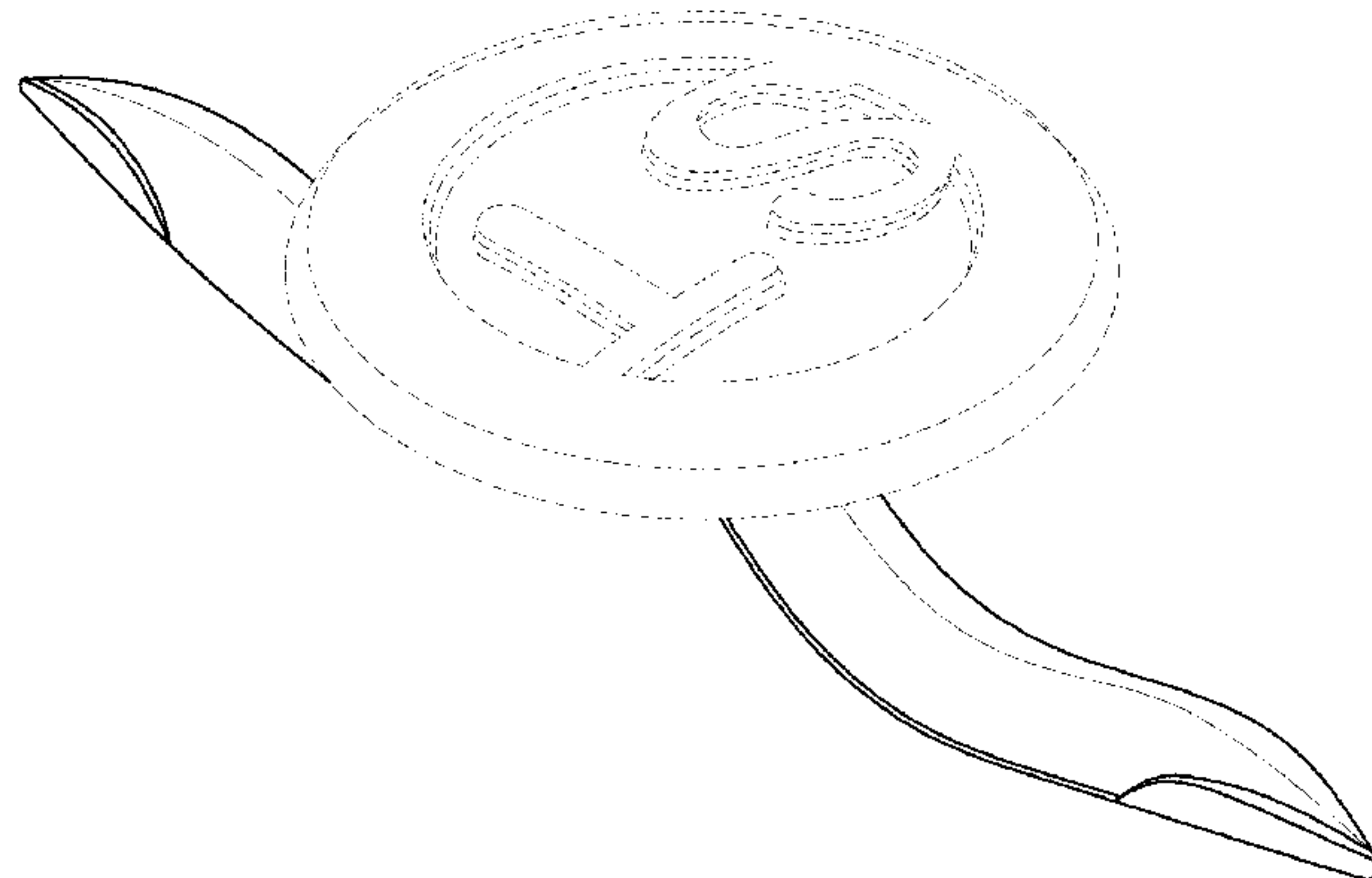
(57) **CLAIM**

The ornamental design for a tab for sock, as shown and described.

DESCRIPTION

FIG. 1 is an enlarged perspective view of the tab for sock with the environment showing of a circular tab;
FIG. 2 is a front view thereof;
FIG. 3 is a side view thereof;
FIG. 4 is a top view thereof;
FIG. 5 is a side view thereof showing the side opposite that shown in FIG. 3;
FIG. 6 is a back view thereof;
FIG. 7 is a bottom view thereof;
FIG. 8 is a perspective view of the tab for sock of FIG. 1, shown with a square tab environment;
FIG. 9 is a top view of the tab for sock of FIG. 8;
FIG. 10 is a perspective view of the tab for sock of FIG. 1, shown with a diamond-shaped tab environment;
FIG. 11 is a top view of the tab for sock of FIG. 10;
FIG. 12 is a perspective view of the tab for sock of FIG. 1, shown with a heart-shaped tab environment;
FIG. 13 is a top view of the tab for sock of FIG. 12;
FIG. 14 is a perspective view of the tab for sock of FIG. 1, shown with an oval tab environment;
FIG. 15 is a top view of the tab for sock of FIG. 14;
FIG. 16 is a perspective view of the tab for sock of FIG. 1, shown with a triangular tab environment;
FIG. 17 is a top view of the tab for sock of FIG. 16;
FIG. 18 is a perspective view of the tab for sock of FIG. 1, shown with a hexagonal tab environment;
FIG. 19 is a top view of the tab for sock of FIG. 18;
FIG. 20 is a perspective view of the tab for sock of FIG. 1, shown with an octagonal tab environment; and,
FIG. 21 is a top view of the tab for sock of FIG. 20.
The broken lines shown in all figures represent a portion of the article and form no part thereof.

1 Claim, 3 Drawing Sheets



(56)

References Cited

U.S. PATENT DOCUMENTS

3,005,989 A * 10/1961 Kitchen A41D 25/027
2/154
D250,571 S * 12/1978 Winslow D8/356
D265,054 S * 6/1982 Kumada D8/388
D269,589 S * 7/1983 Nakama D8/356
5,095,596 A * 3/1992 Dahood A44B 1/34
24/669
5,357,660 A 10/1994 Smith
5,367,809 A * 11/1994 Ross G09F 3/12
24/DIG. 29
5,579,541 A 12/1996 Christy et al.
5,687,458 A * 11/1997 Coker A45F 5/02
24/336
D390,098 S * 2/1998 Allen D8/359
6,032,294 A * 3/2000 Dean A41B 11/002
2/239
6,279,169 B1 * 8/2001 Reichle A41B 11/002
2/239
D466,937 S * 12/2002 Kochlefl D19/65
D483,254 S * 12/2003 Sels D8/394
6,830,055 B1 * 12/2004 Frame A45D 8/00
132/275
D506,126 S * 6/2005 Amy D12/223
D533,442 S * 12/2006 Baylor D12/317

7,225,507 B2 * 6/2007 Anderson D06F 95/008
24/329
D570,673 S * 6/2008 Geiger D8/394
D640,923 S * 7/2011 Kim D8/394
8,359,671 B1 * 1/2013 Glass A44B 11/005
2/239
D739,221 S * 9/2015 Sendra-Gonzalez D8/349
2001/0018775 A1 * 9/2001 Jossi A41B 11/002
2/239
2005/0262615 A1 * 12/2005 Pietzyk-Hardy A41B 11/002
2/239
2006/0123606 A1 * 6/2006 Juan A41B 11/002
24/584.1
2007/0256280 A1 * 11/2007 Azan A41B 11/002
24/90.1
2014/0137378 A1 * 5/2014 Llerena D06F 95/008
24/709.7
2014/0304895 A1 * 10/2014 Stuart A41B 11/002
2/239

OTHER PUBLICATIONS

Brass tack | Pop Goes the Page, image post date Unknown, Site visited on Sep. 28, 2015 (online), <<https://blogs.princeton.edu/popgoesthepage/glossary/brass-tack/>>.*

* cited by examiner

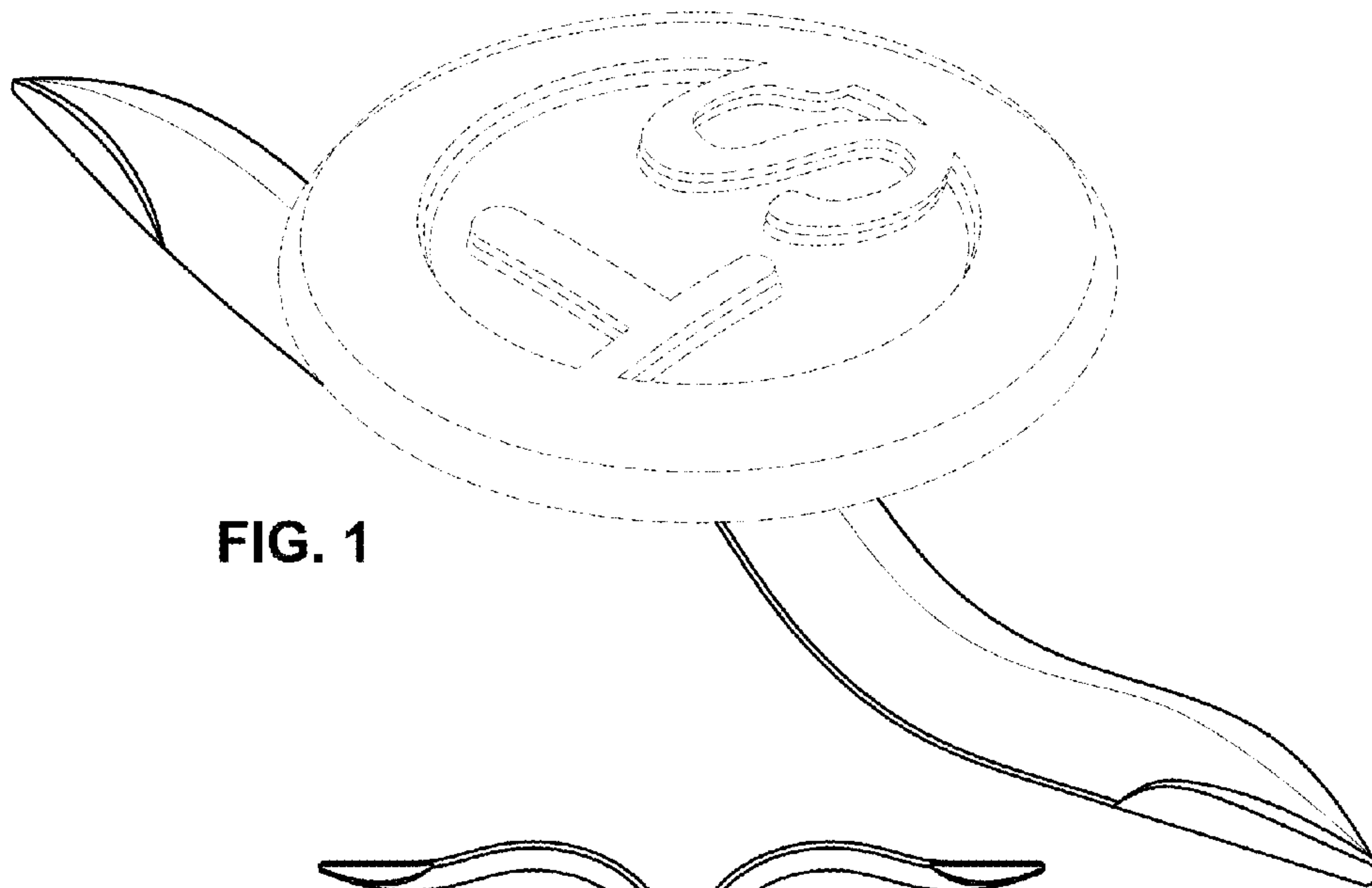


FIG. 1

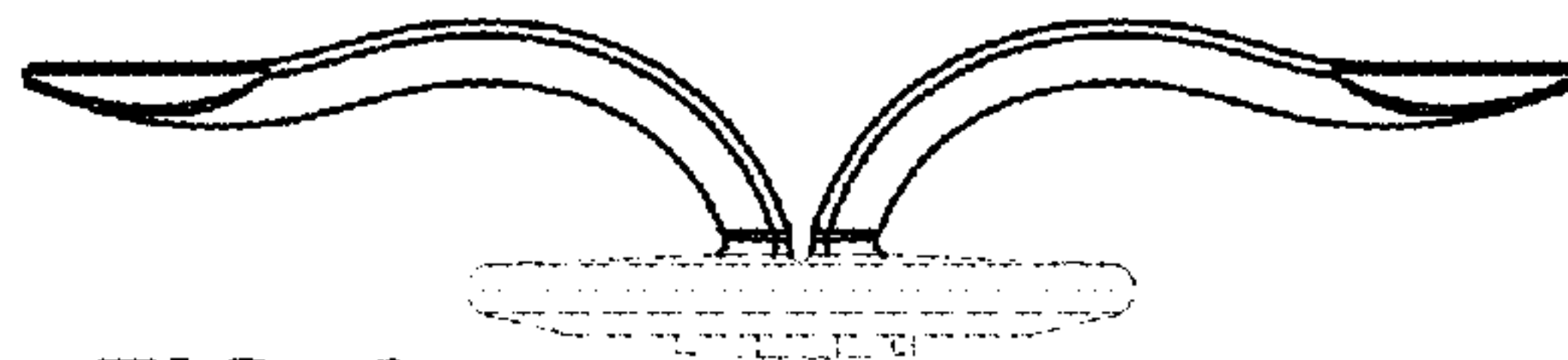


FIG. 2

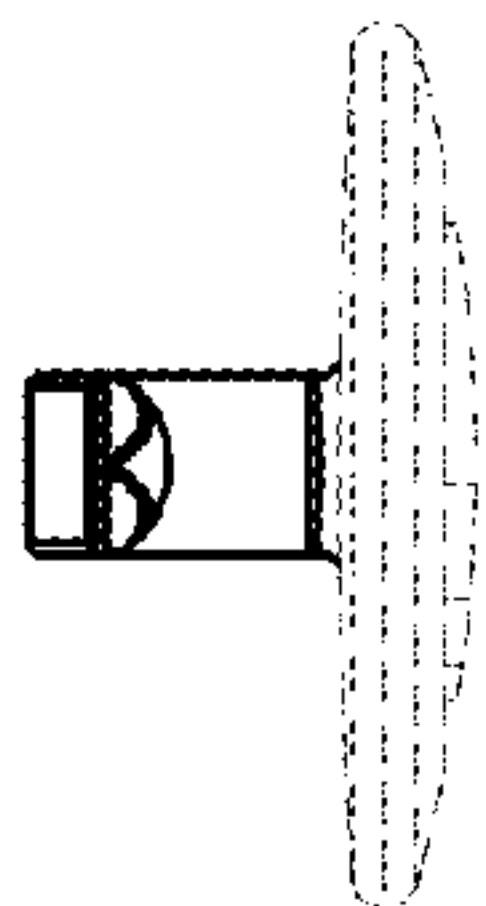


FIG. 3

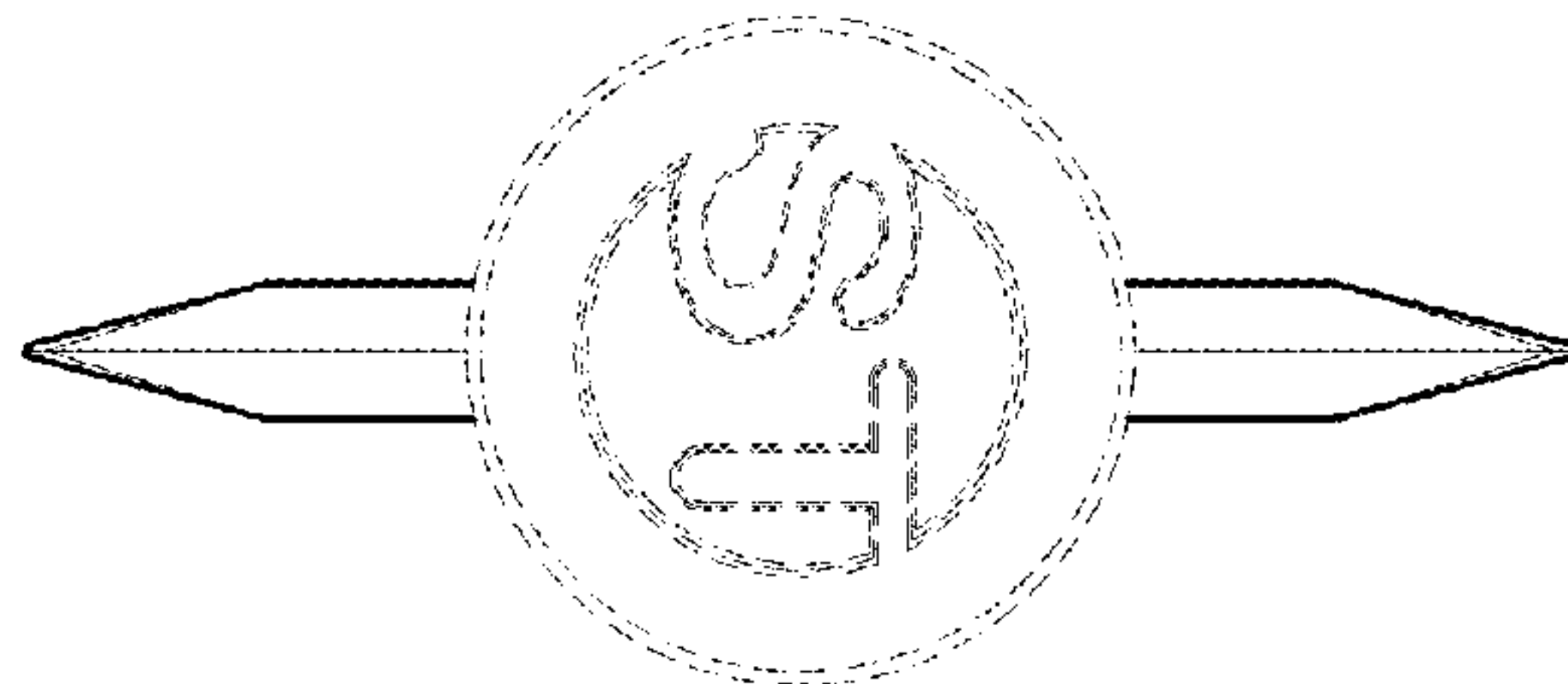


FIG. 4

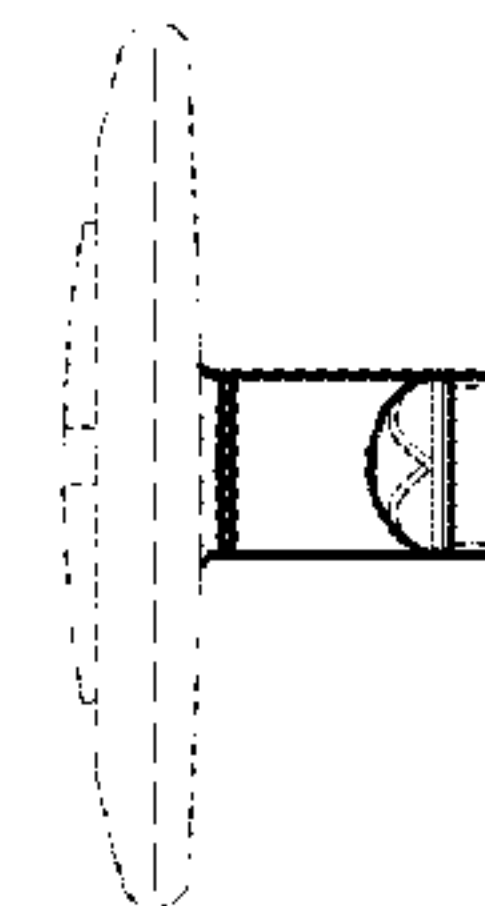


FIG. 5

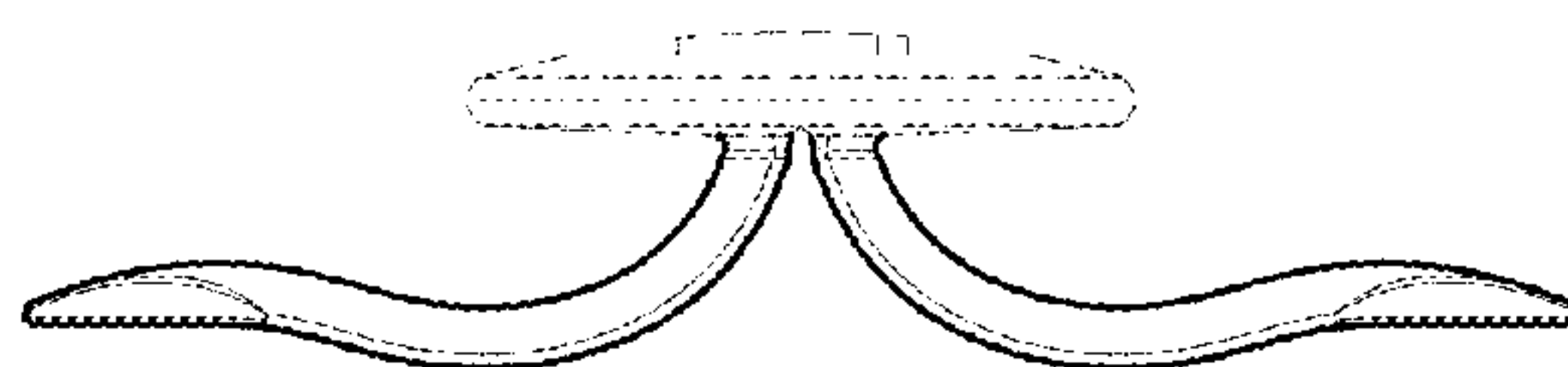


FIG. 6

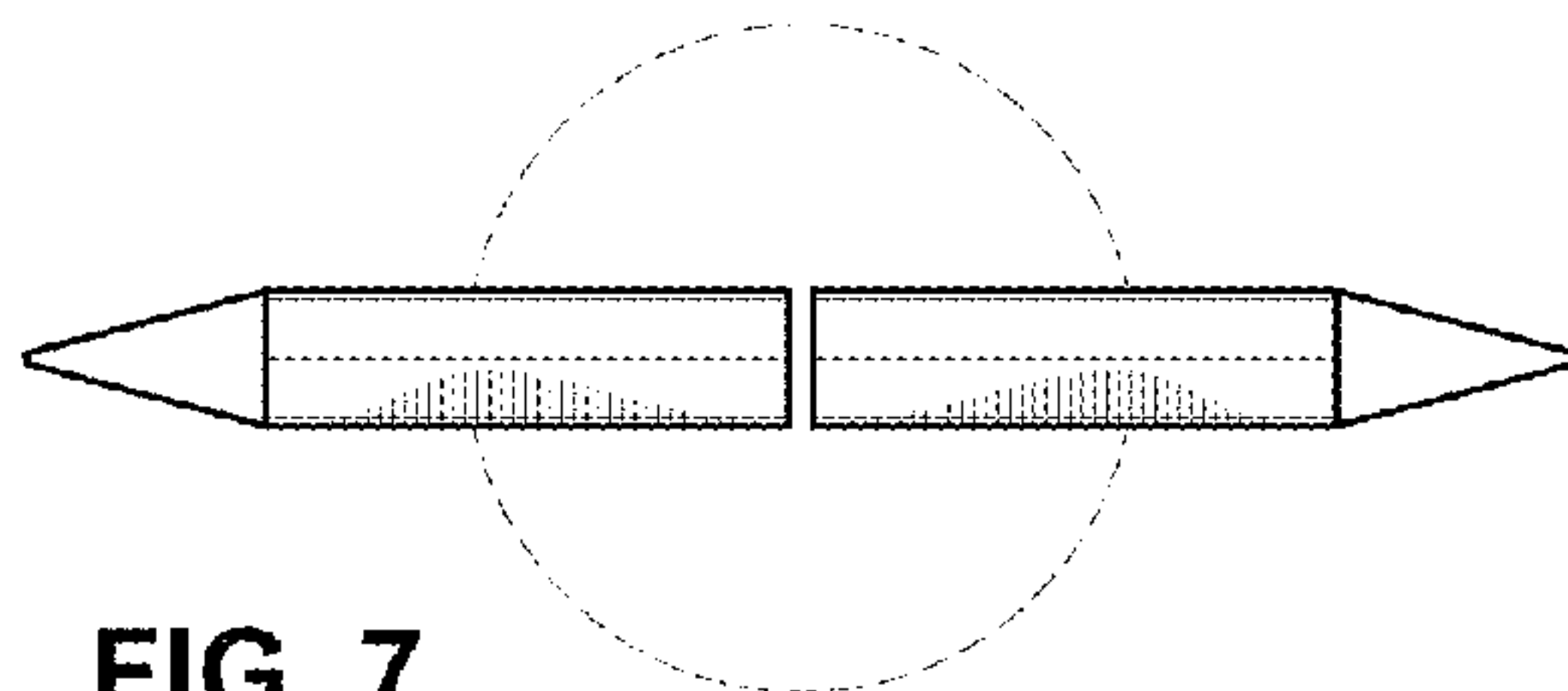


FIG. 7

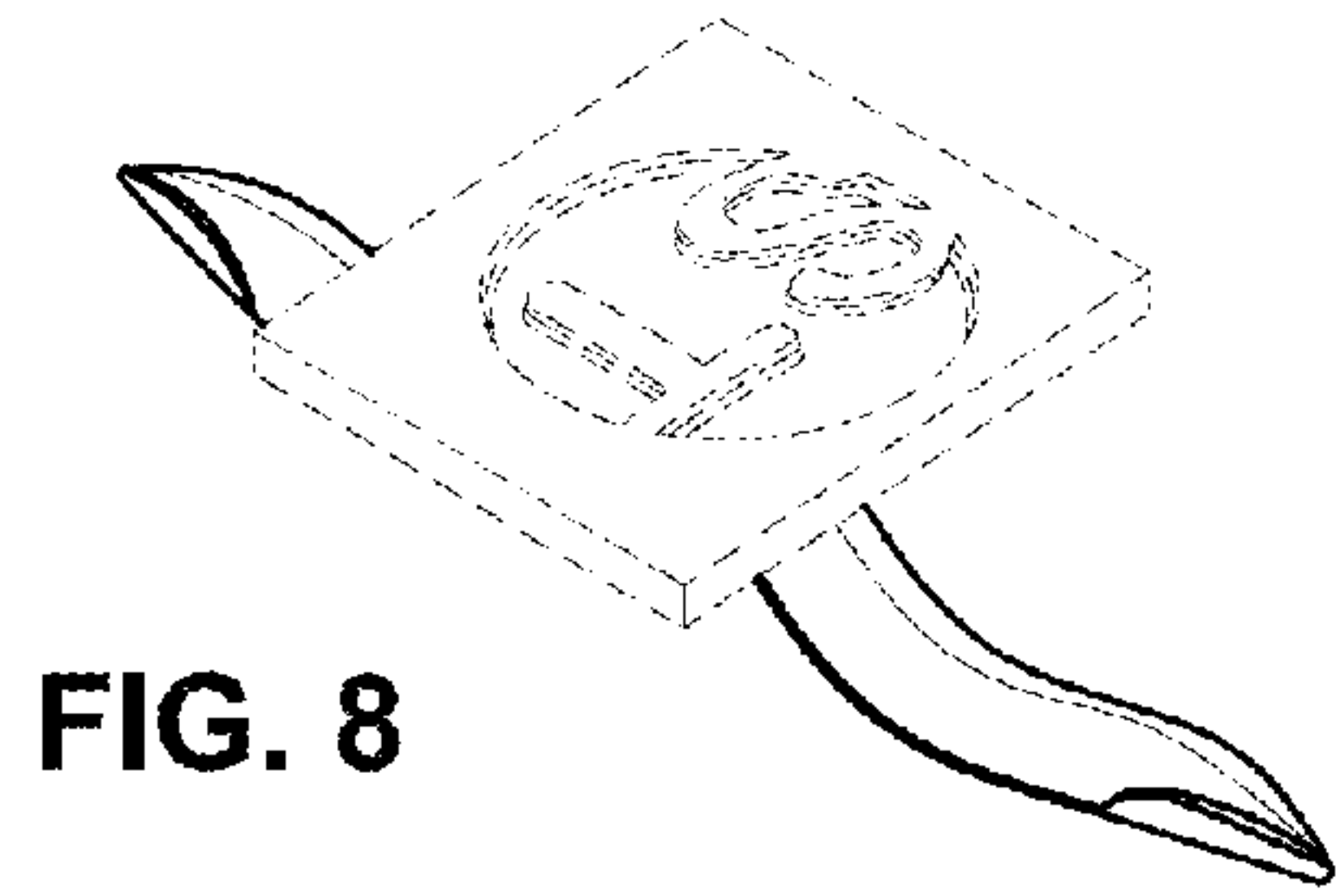


FIG. 8

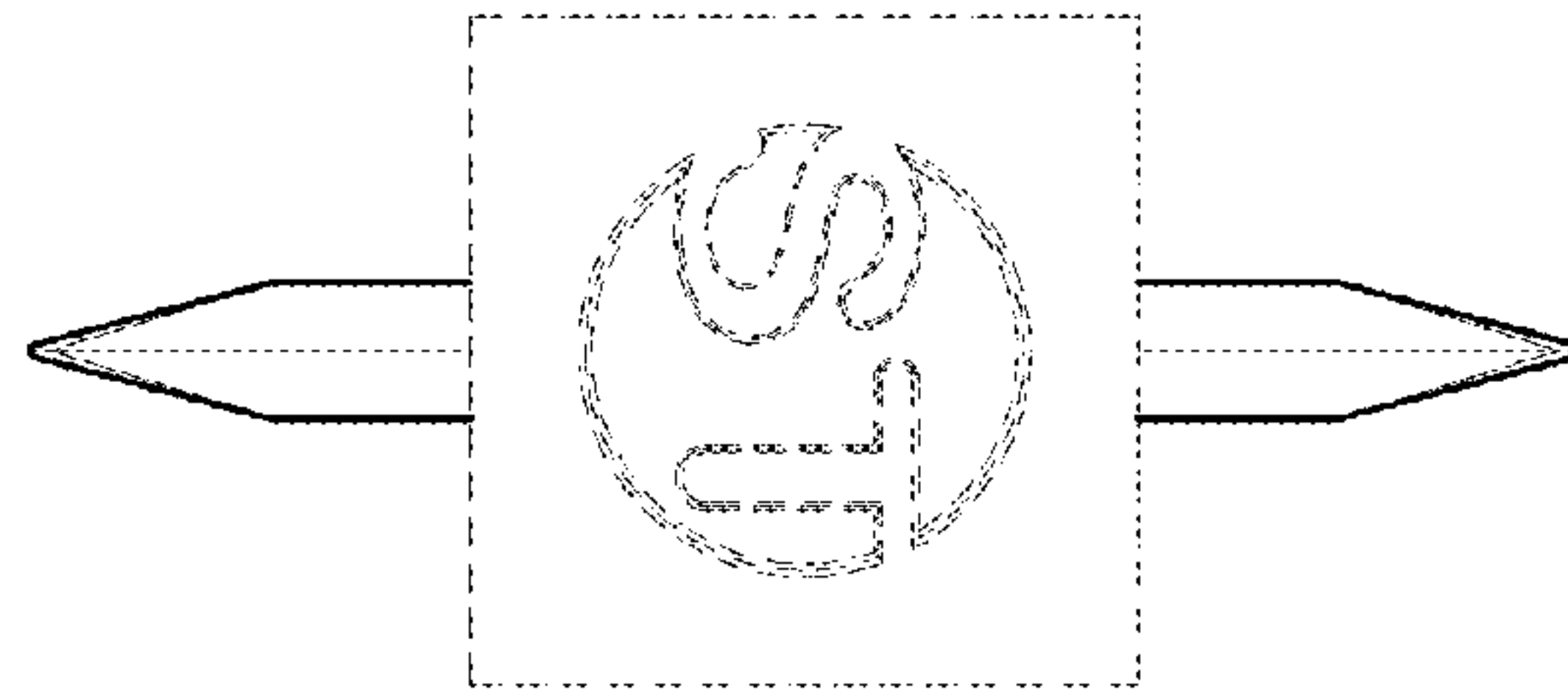


FIG. 9

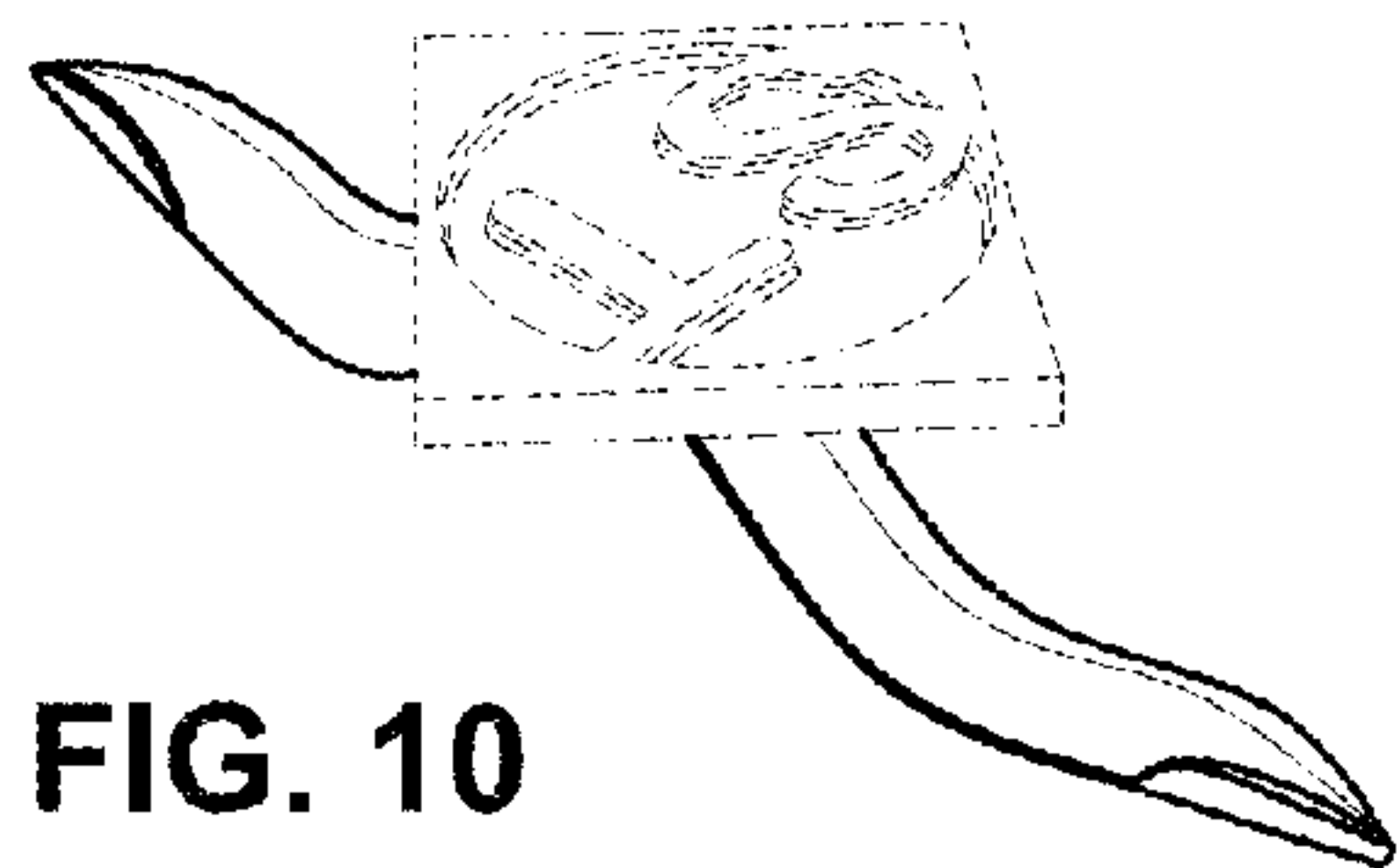


FIG. 10

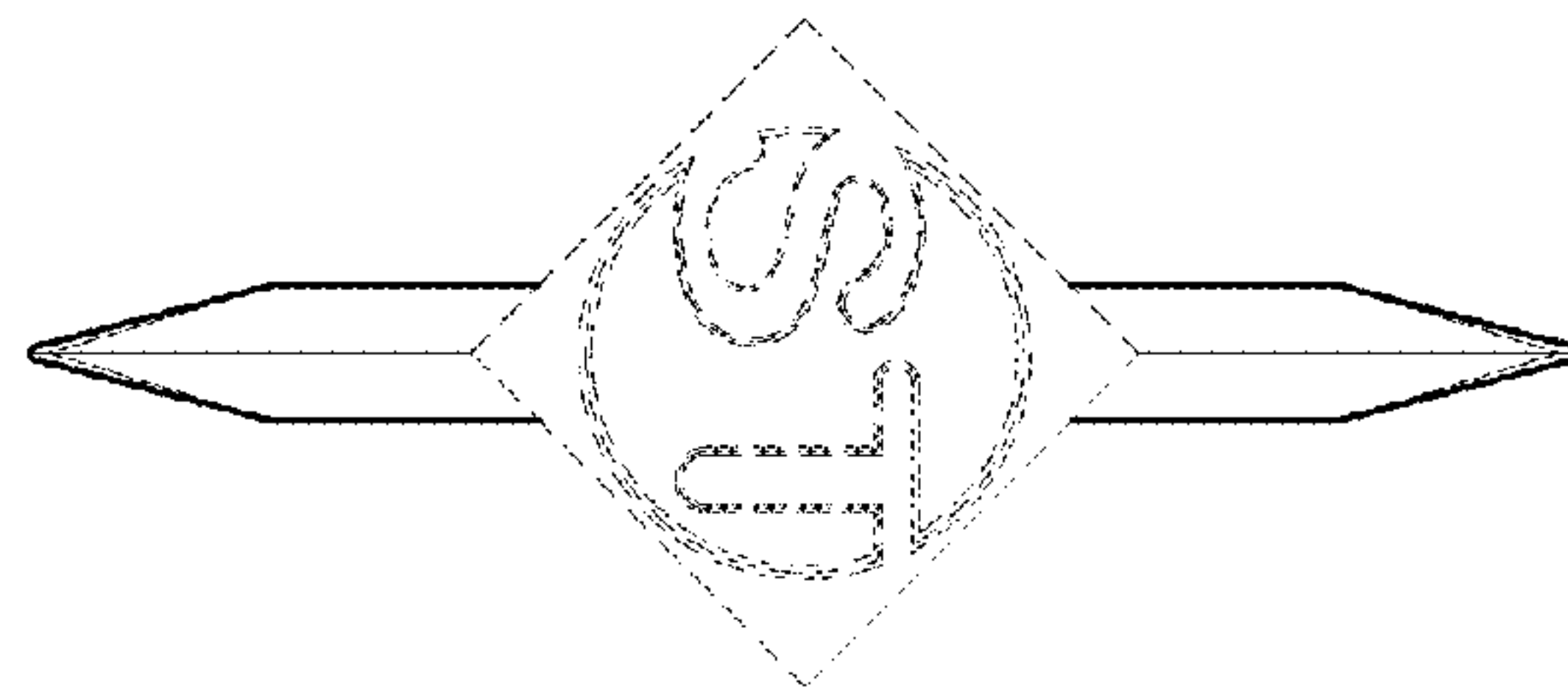


FIG. 11

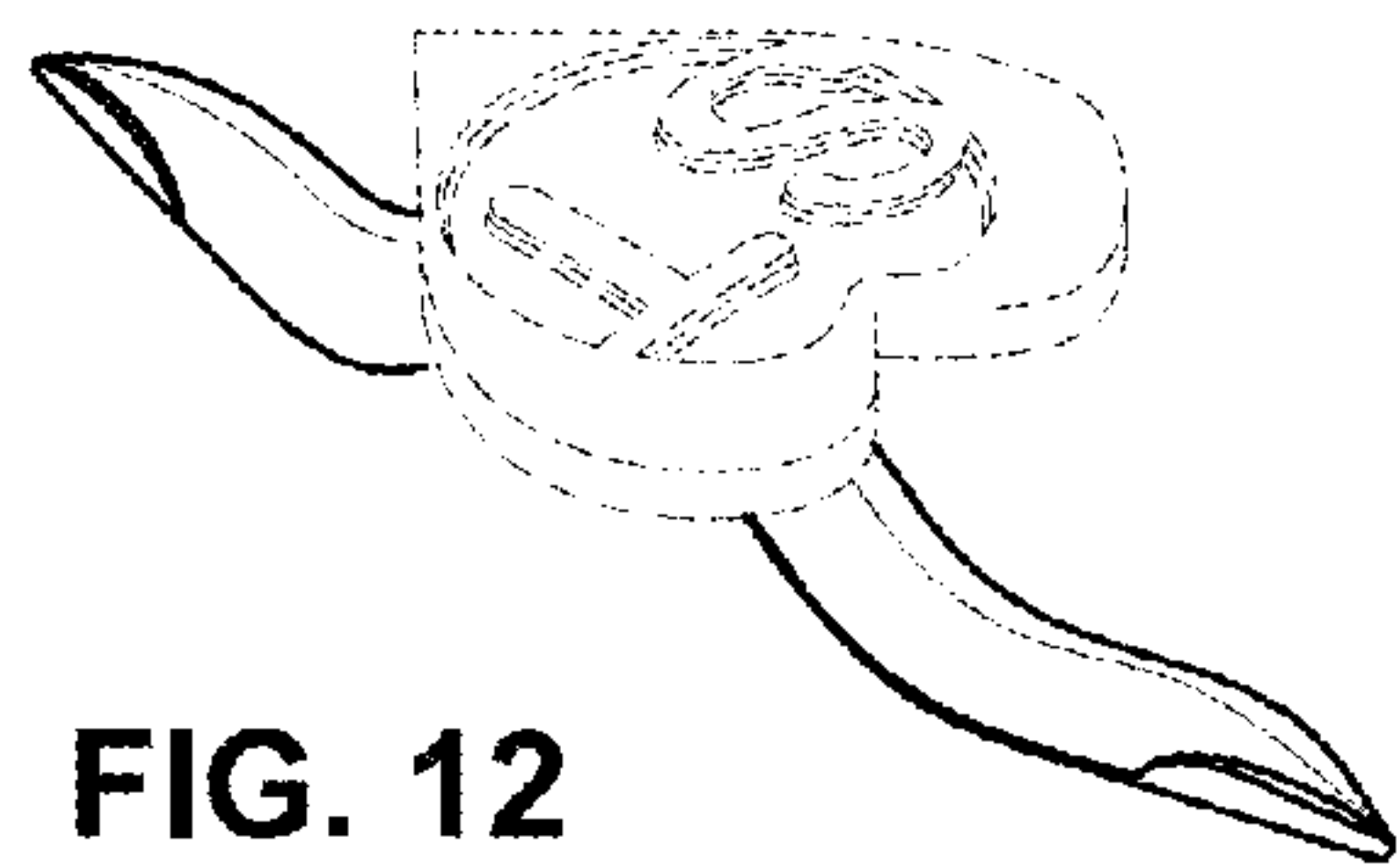


FIG. 12

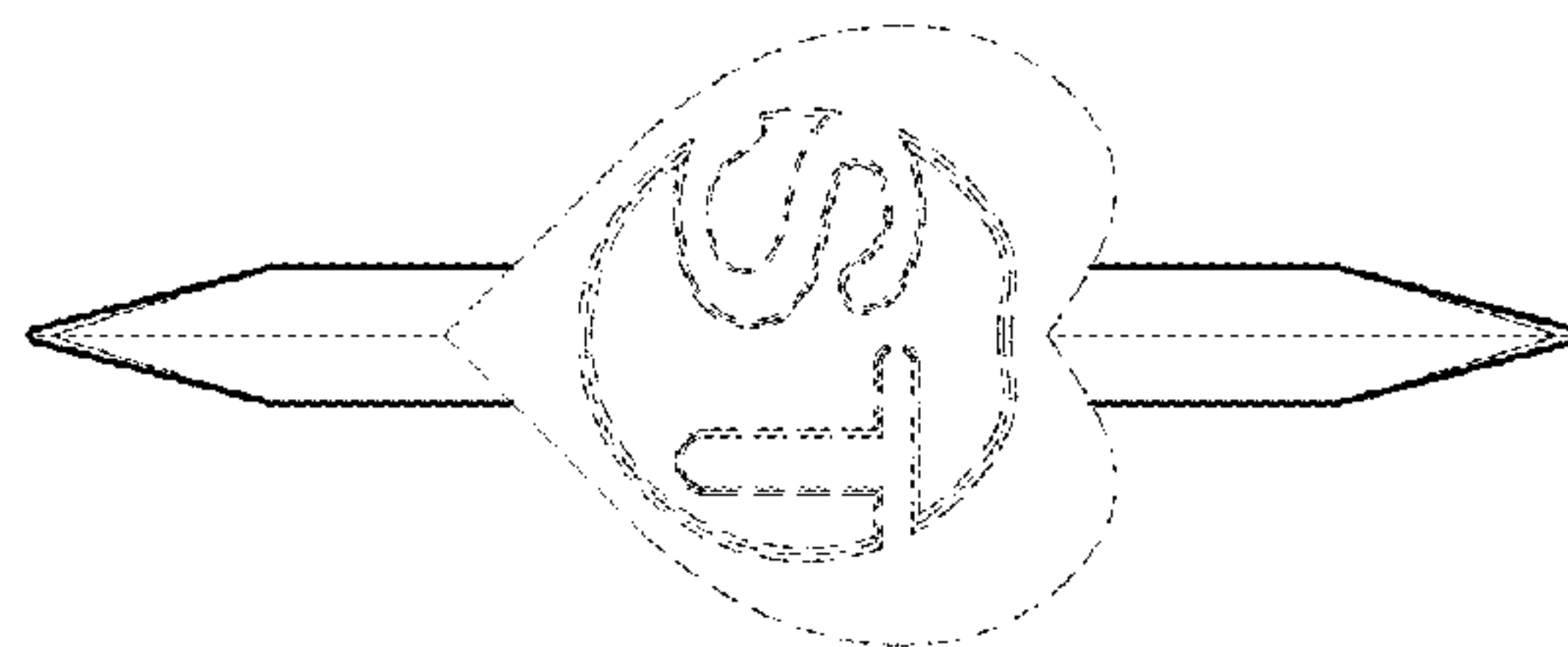


FIG. 13

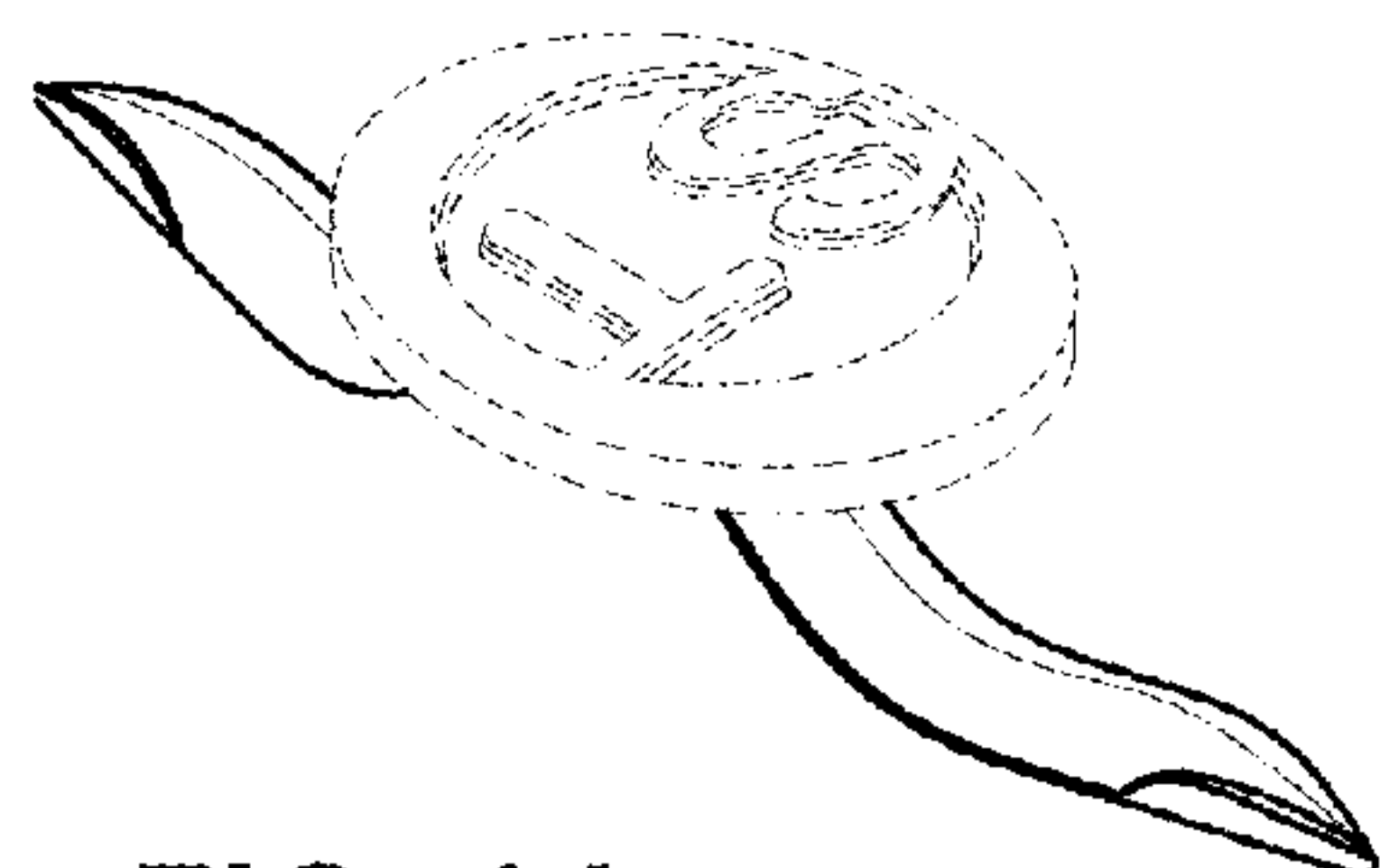


FIG. 14

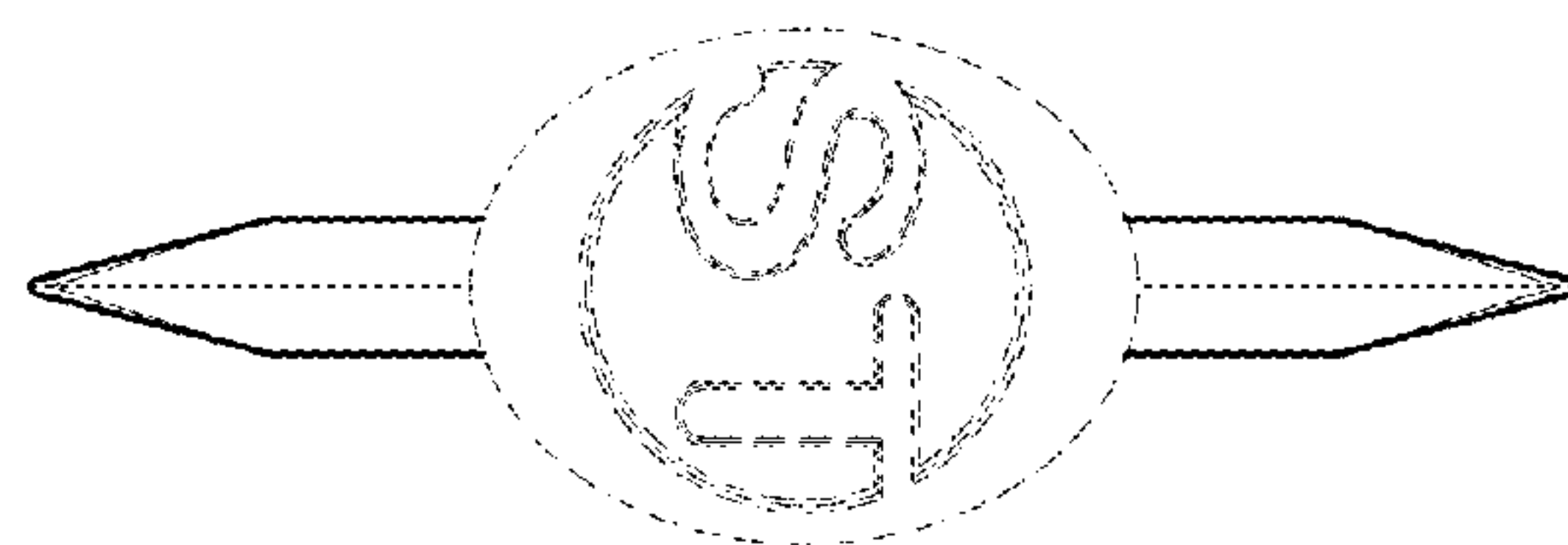


FIG. 15

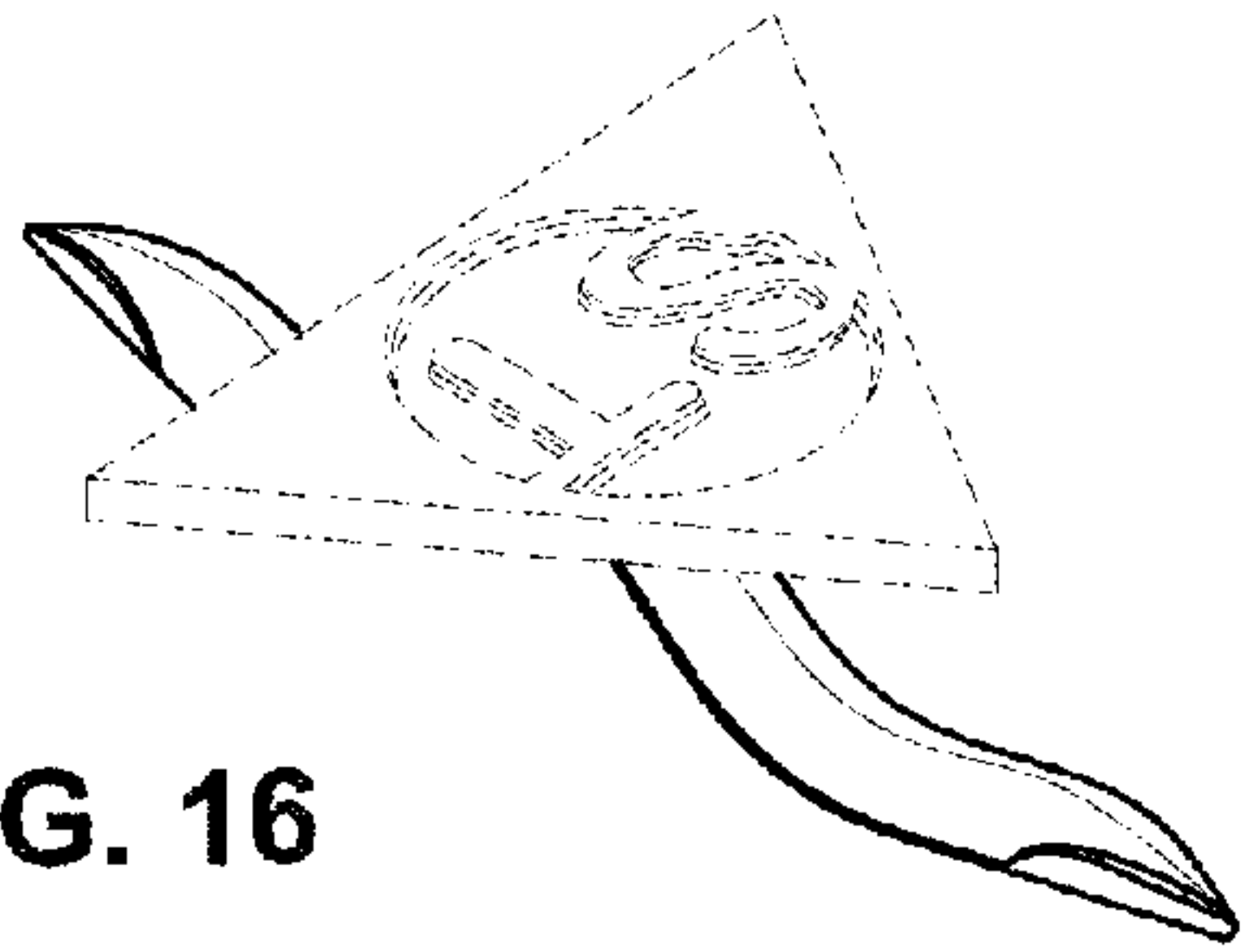


FIG. 16

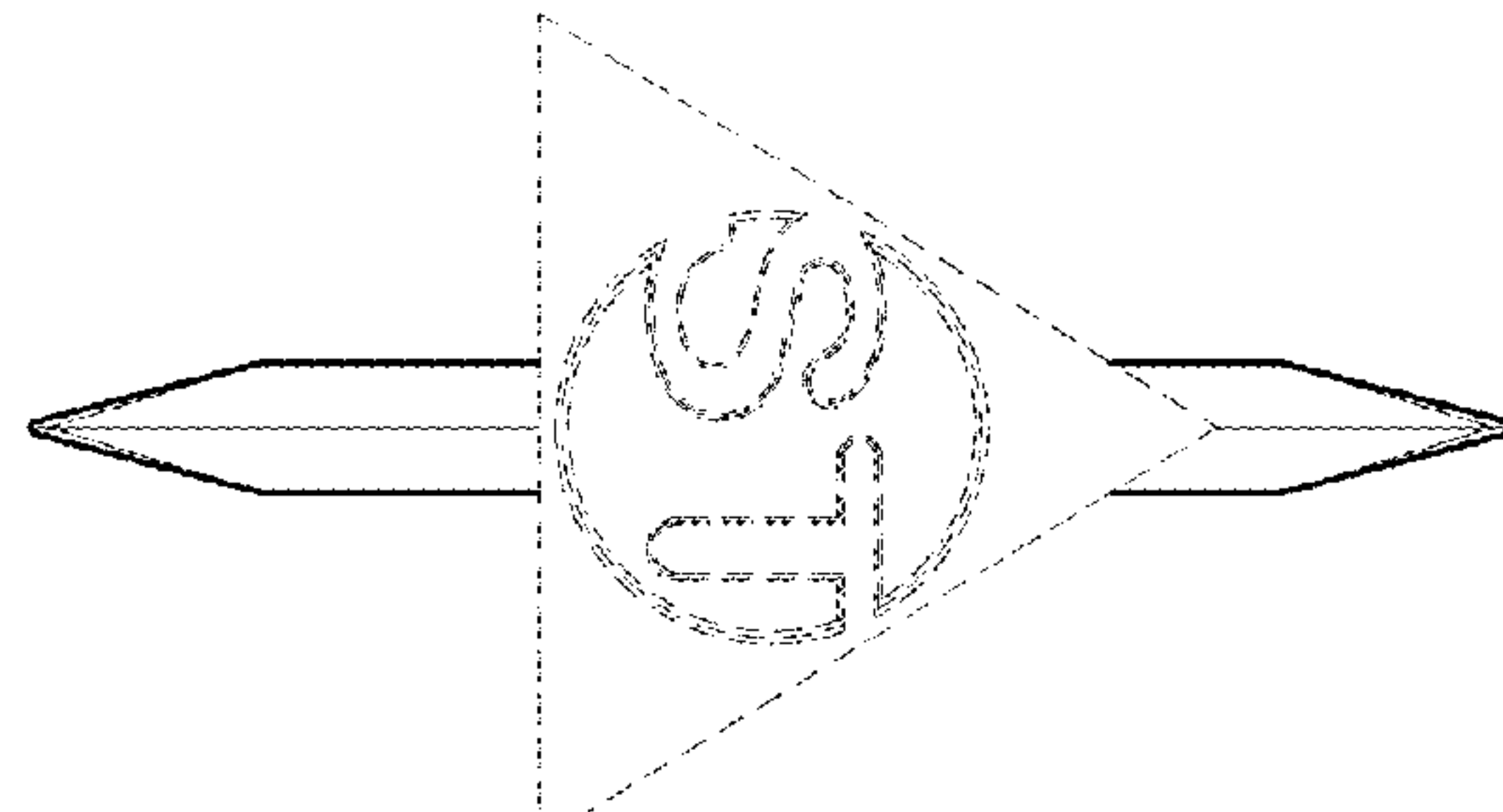


FIG. 17

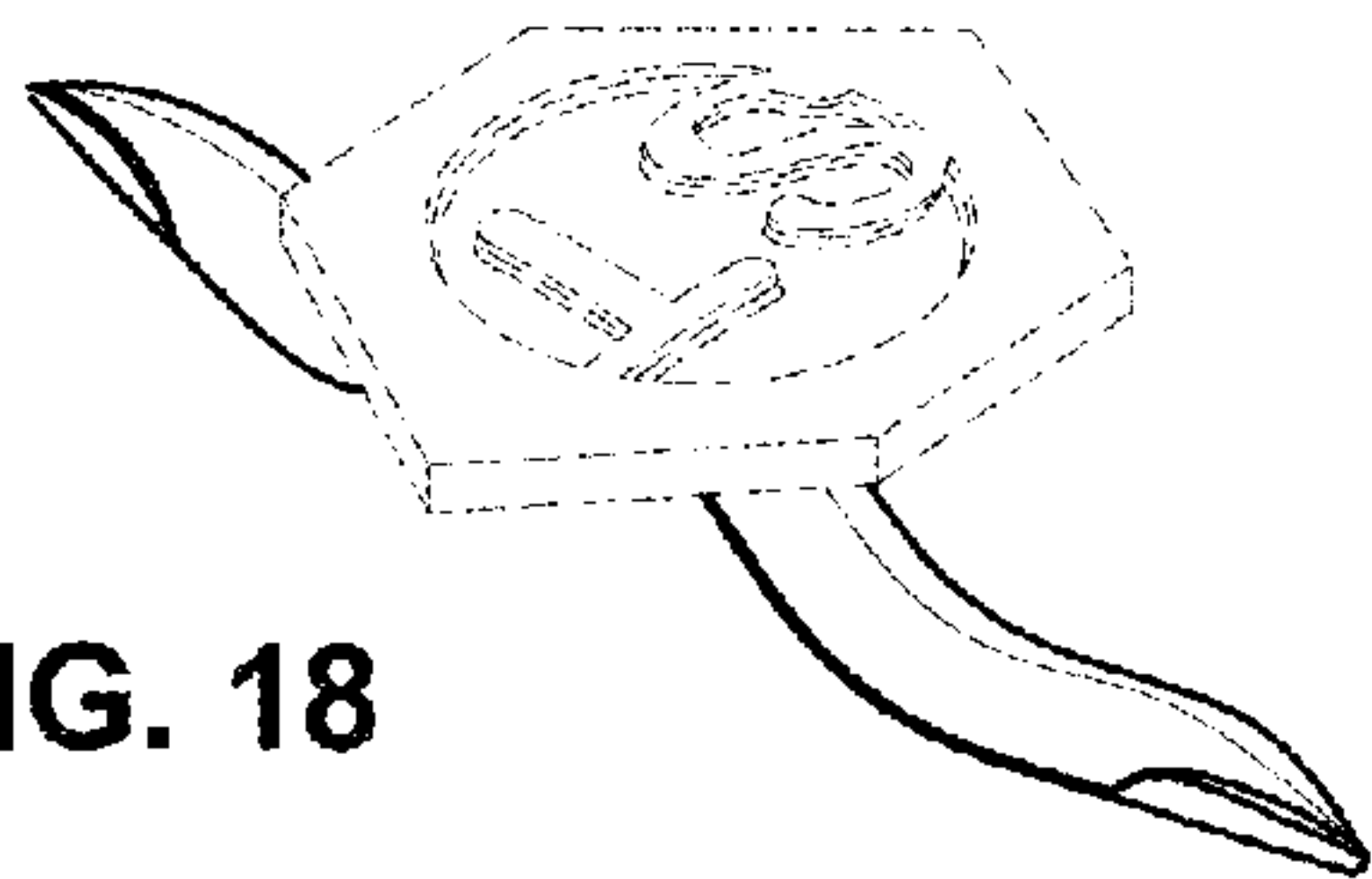


FIG. 18

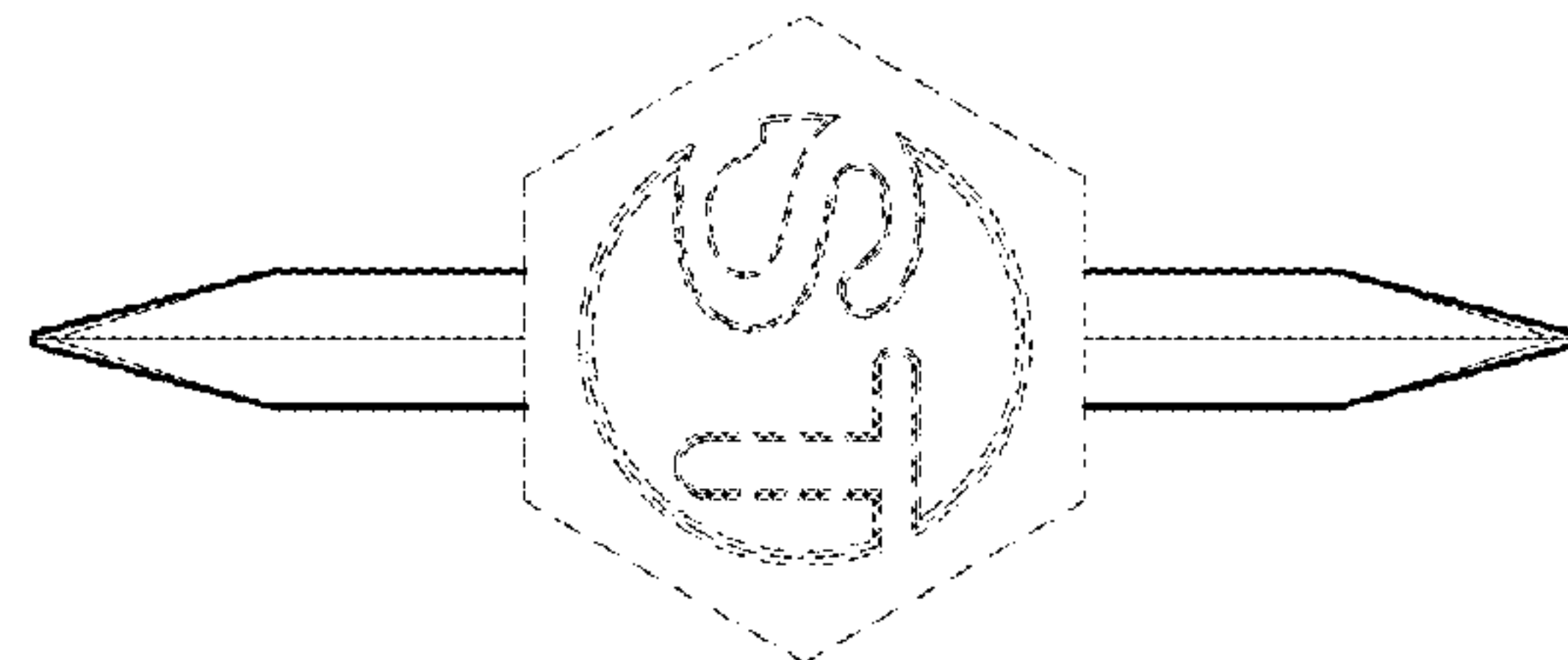


FIG. 19

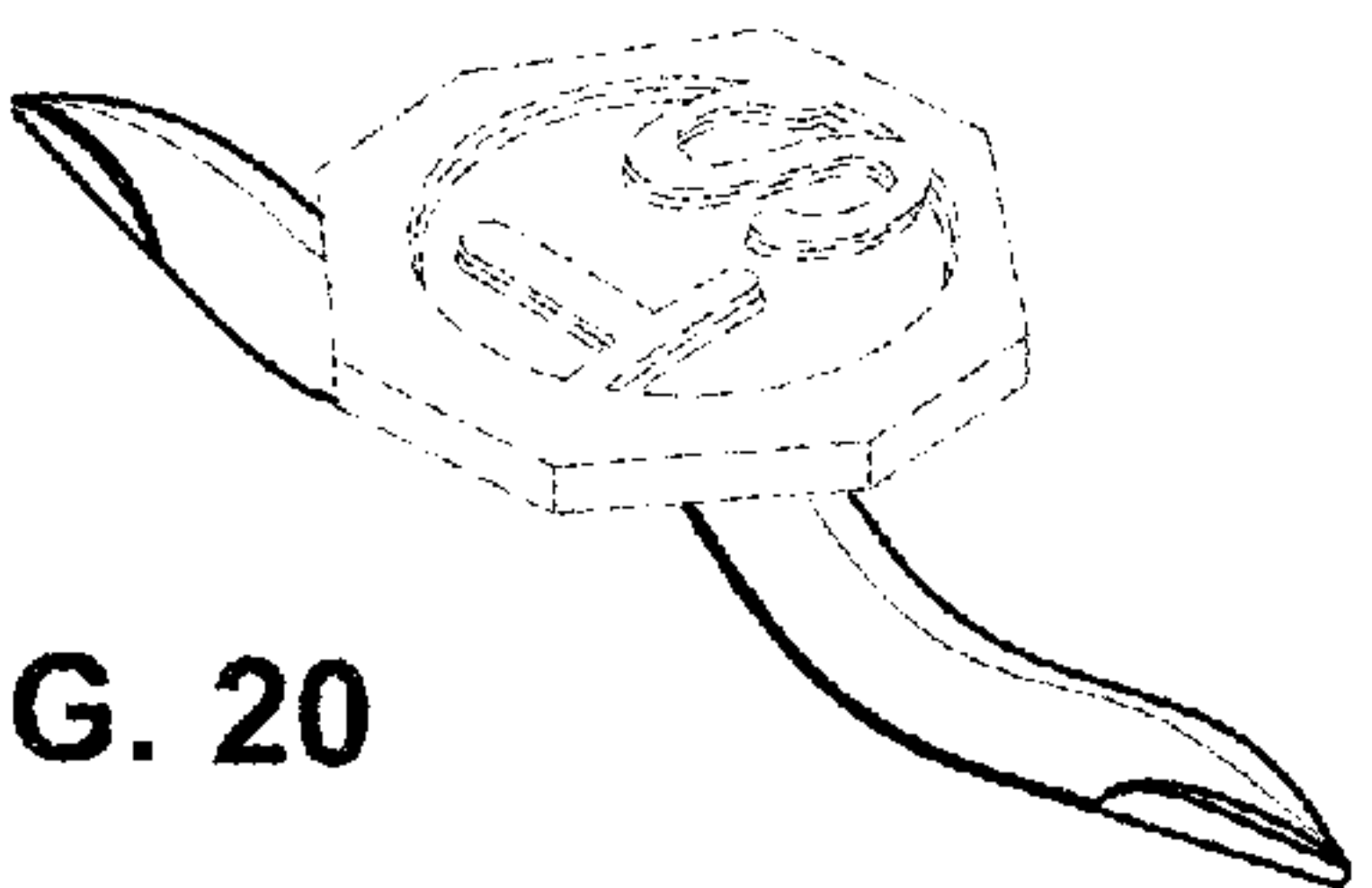


FIG. 20

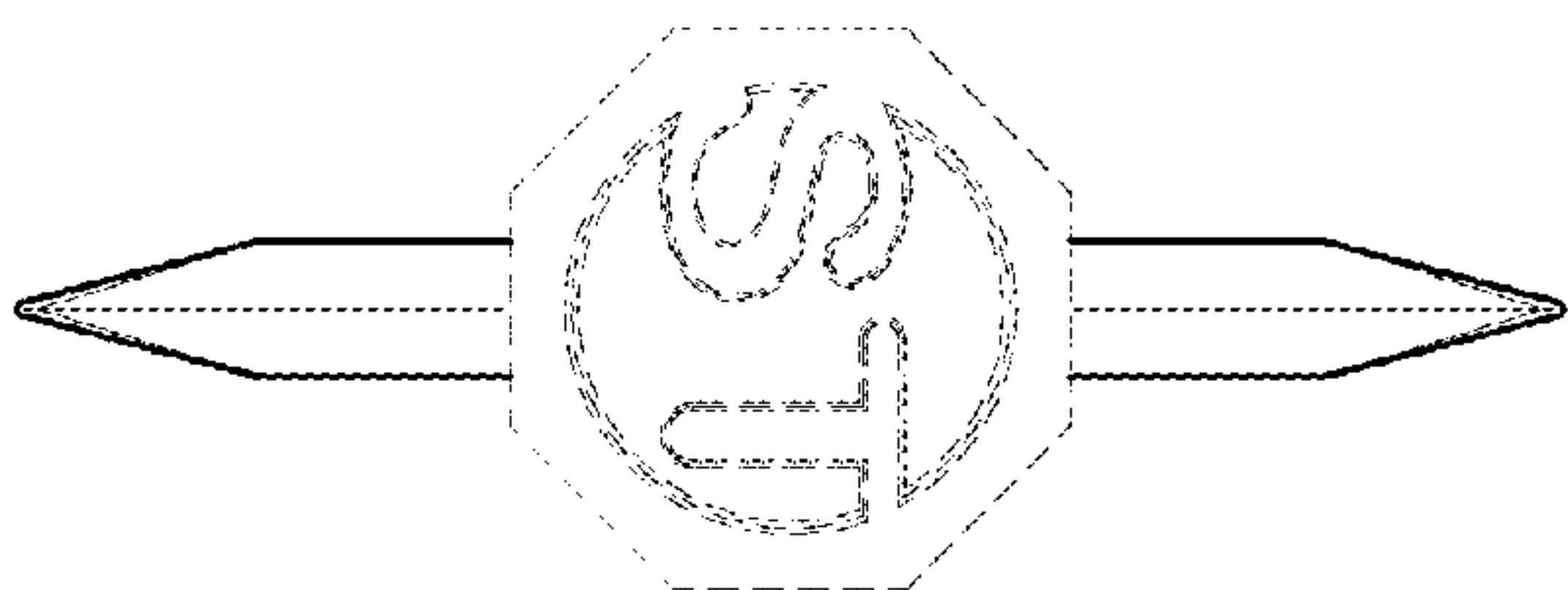


FIG. 21