



US00D749937S

(12) **United States Design Patent**
Phillips

(10) **Patent No.:** **US D749,937 S**
(45) **Date of Patent:** **** Feb. 23, 2016**

- (54) **PORTABLE HOLDER**
- (71) Applicant: **Roderick L. Phillips**, Hughesville, PA (US)
- (72) Inventor: **Roderick L. Phillips**, Hughesville, PA (US)
- (73) Assignee: **Stonehedge Solutions, Inc.**, Hughesville, PA (US)
- (**) Term: **14 Years**
- (21) Appl. No.: **29/484,720**
- (22) Filed: **Mar. 12, 2014**
- (51) **LOC (10) Cl.** **08-05**
- (52) **U.S. Cl.**
USPC **D8/355**
- (58) **Field of Classification Search**
USPC D8/355
CPC A47F 5/00; A47H 1/10; A47G 29/00;
A47G 29/08; A47B 97/00; A47B 47/00
See application file for complete search history.

5,317,977 A	6/1994	Omessi	
5,590,607 A	1/1997	Howard	
6,246,573 B1	6/2001	Khan et al.	
6,357,703 B1	3/2002	DiOrio	
6,619,609 B2	9/2003	Cress	
7,007,912 B1	3/2006	Giuliani et al.	
7,124,988 B1	10/2006	Duffy et al.	
7,214,988 B2	5/2007	Tsao et al.	
D565,388 S *	4/2008	Concari	D8/355
D588,903 S *	3/2009	Carnevali	D8/355
7,870,753 B2	1/2011	Marcy, V et al.	
D632,117 S	2/2011	Gibbs	
8,015,929 B2	9/2011	Tyner	
2001/0003961 A1	6/2001	Hodge et al.	
2002/0084398 A1	7/2002	Hensel	
2008/0165505 A1	7/2008	McCoy et al.	
2010/0130107 A1	5/2010	Yilmaz et al.	
2012/0187056 A1	7/2012	Hazzard et al.	

* cited by examiner

Primary Examiner — Holly Baynham
(74) *Attorney, Agent, or Firm* — GrayRobinson, PA;
Thomas L. Kautz

(57) **CLAIM**
The ornamental design for a portable holder, as shown and described.

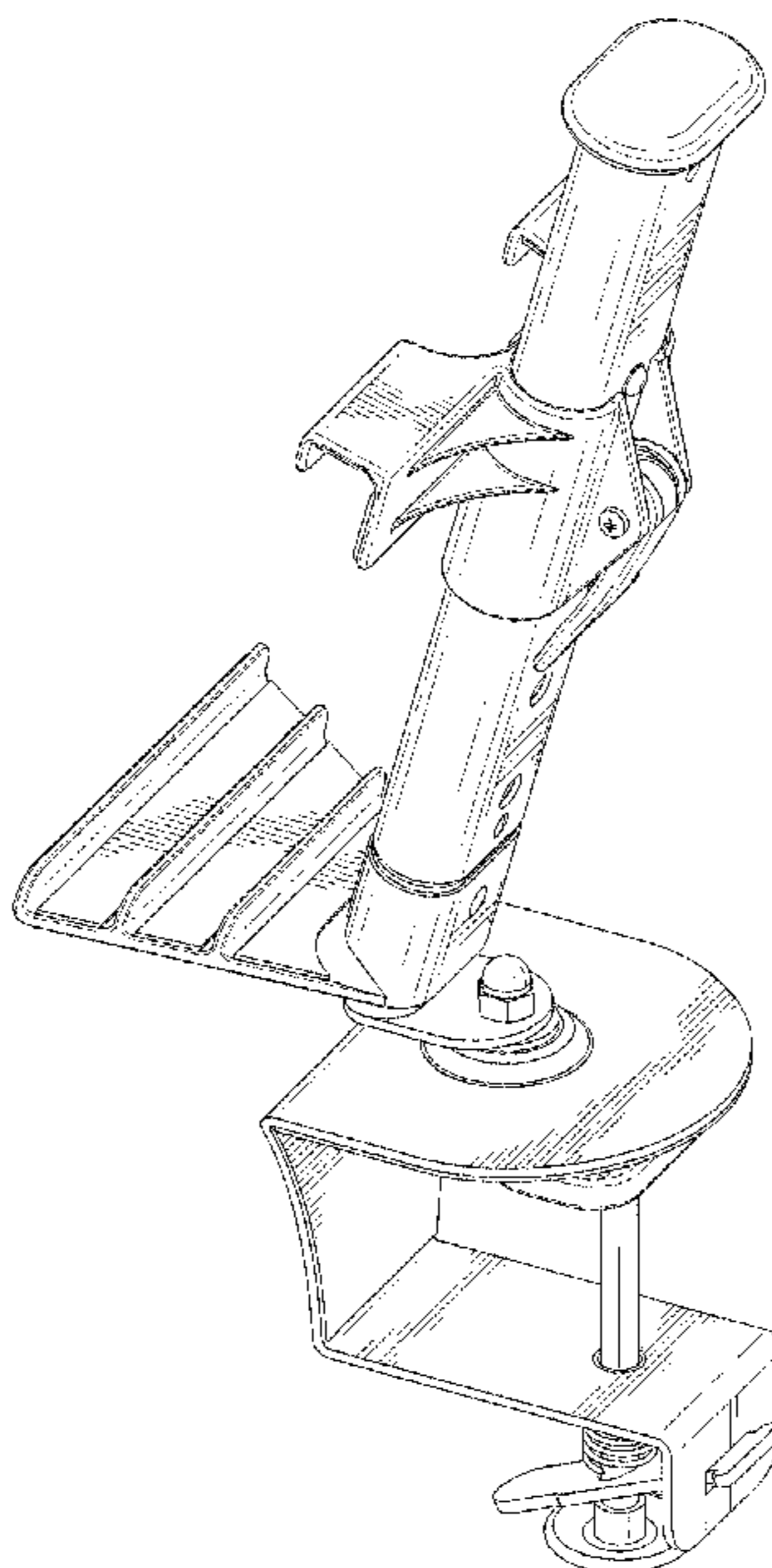
(56) **References Cited**
U.S. PATENT DOCUMENTS

606,514 A	6/1898	Carrier	
1,282,489 A	10/1918	Strodel	
3,741,131 A	6/1973	Leadbetter	
4,269,381 A	5/1981	Harms	
4,503,981 A	3/1985	Coronado	
4,511,111 A	4/1985	Godfrey et al.	
4,553,728 A	11/1985	Corsello	
D325,880 S *	5/1992	Havins	D10/80
D327,211 S *	6/1992	Tarshis	D14/229
5,288,042 A	2/1994	Grimm	

DESCRIPTION

FIG. 1 is a top perspective view of my ornamental design for a portable holder;
FIG. 2 is a left side elevational view thereof;
FIG. 3 is a right side elevational view thereof;
FIG. 4 is a front elevational view thereof;
FIG. 5 is a rear elevational view thereof;
FIG. 6 is a top plan view thereof; and,
FIG. 7 is a bottom plan view thereof.

1 Claim, 7 Drawing Sheets



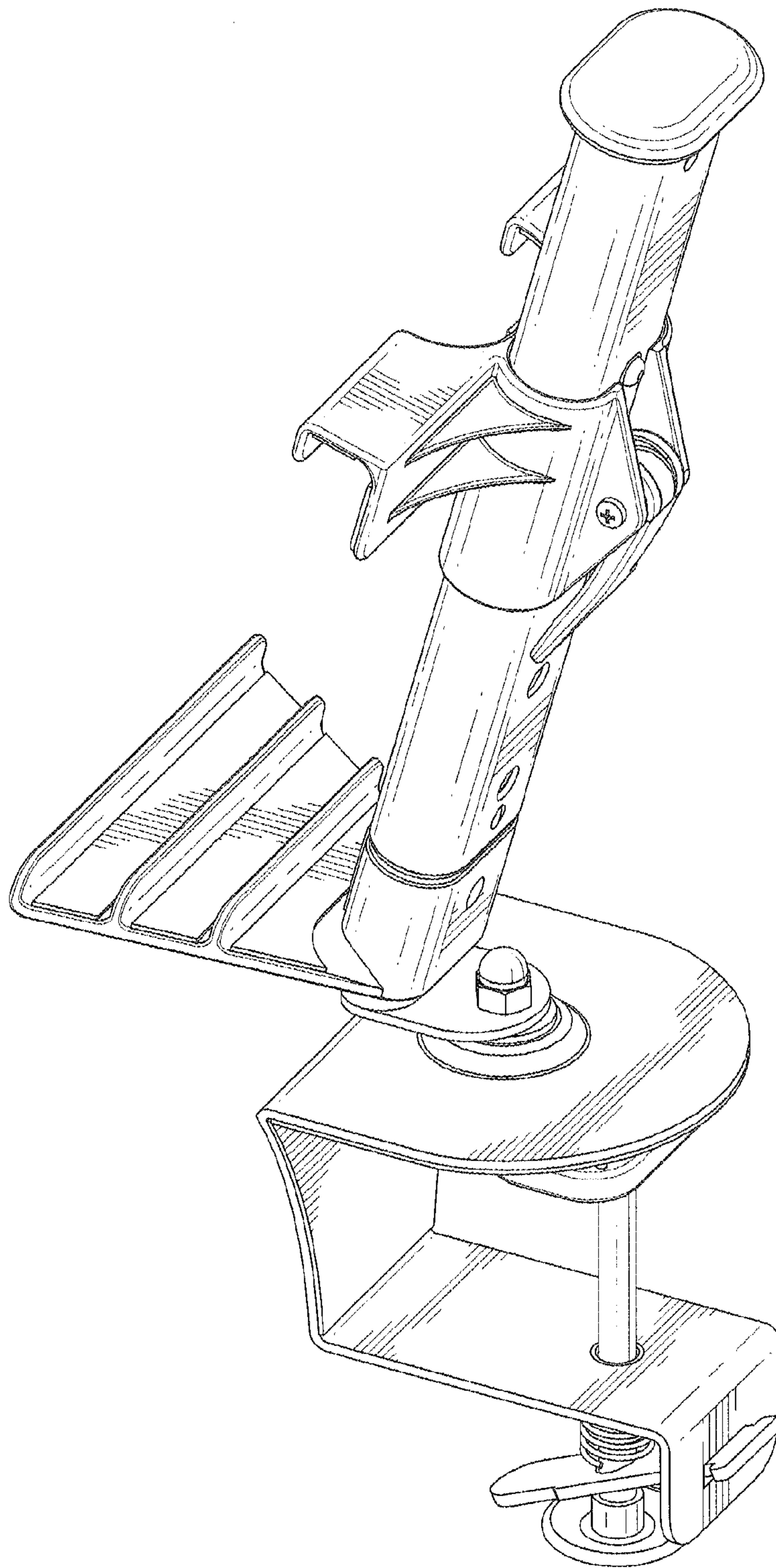


FIG. 1

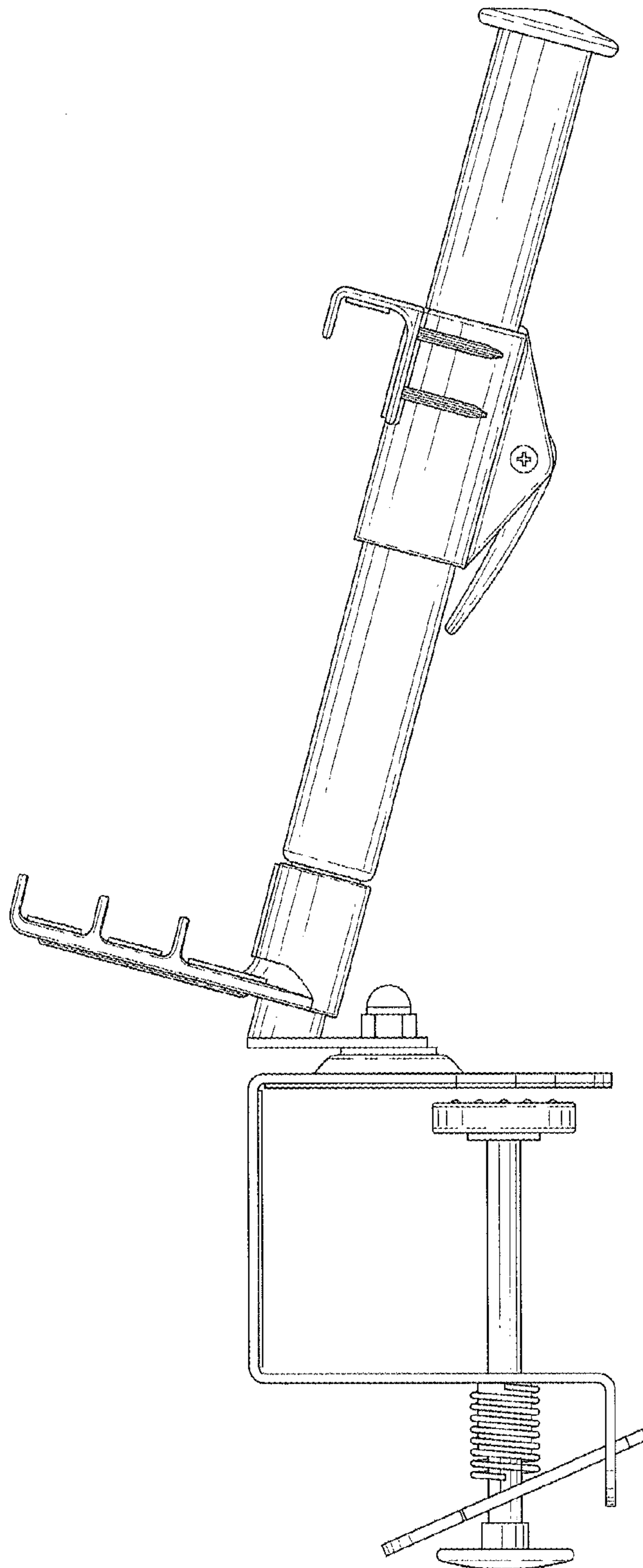


FIG. 2

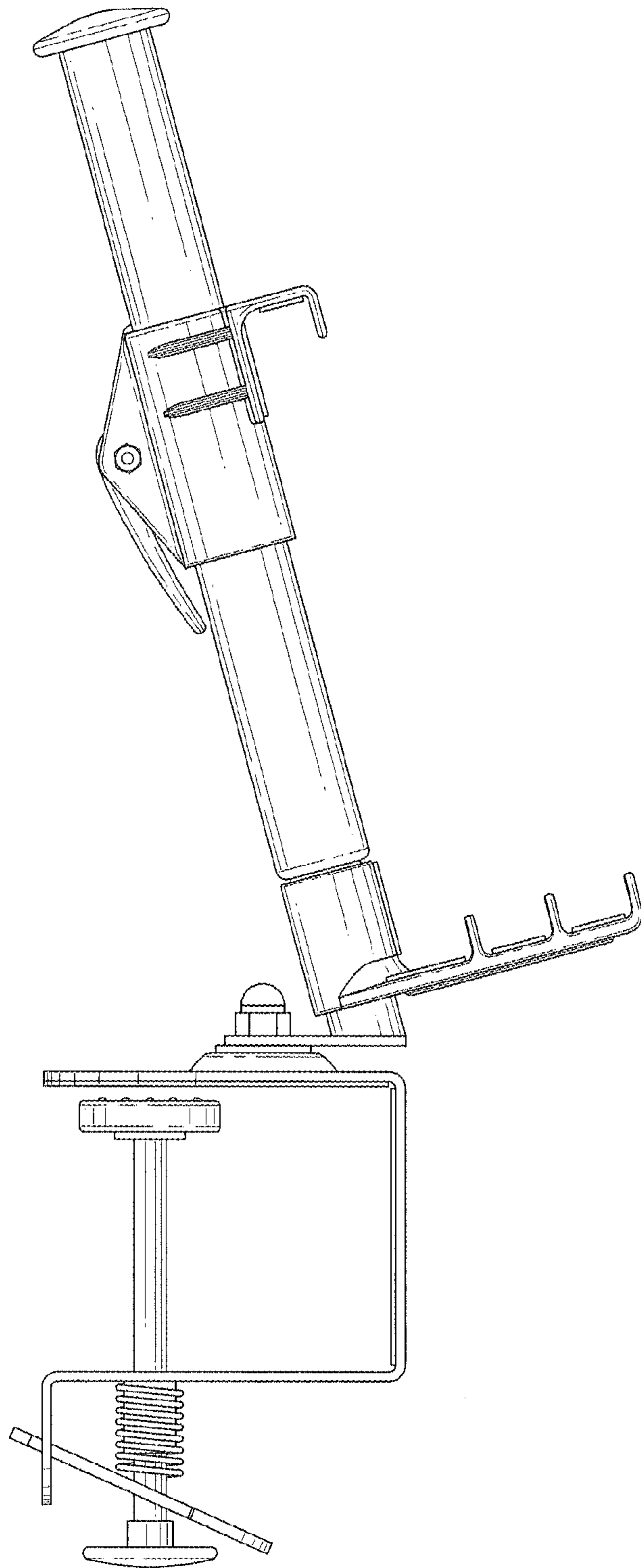


FIG. 3

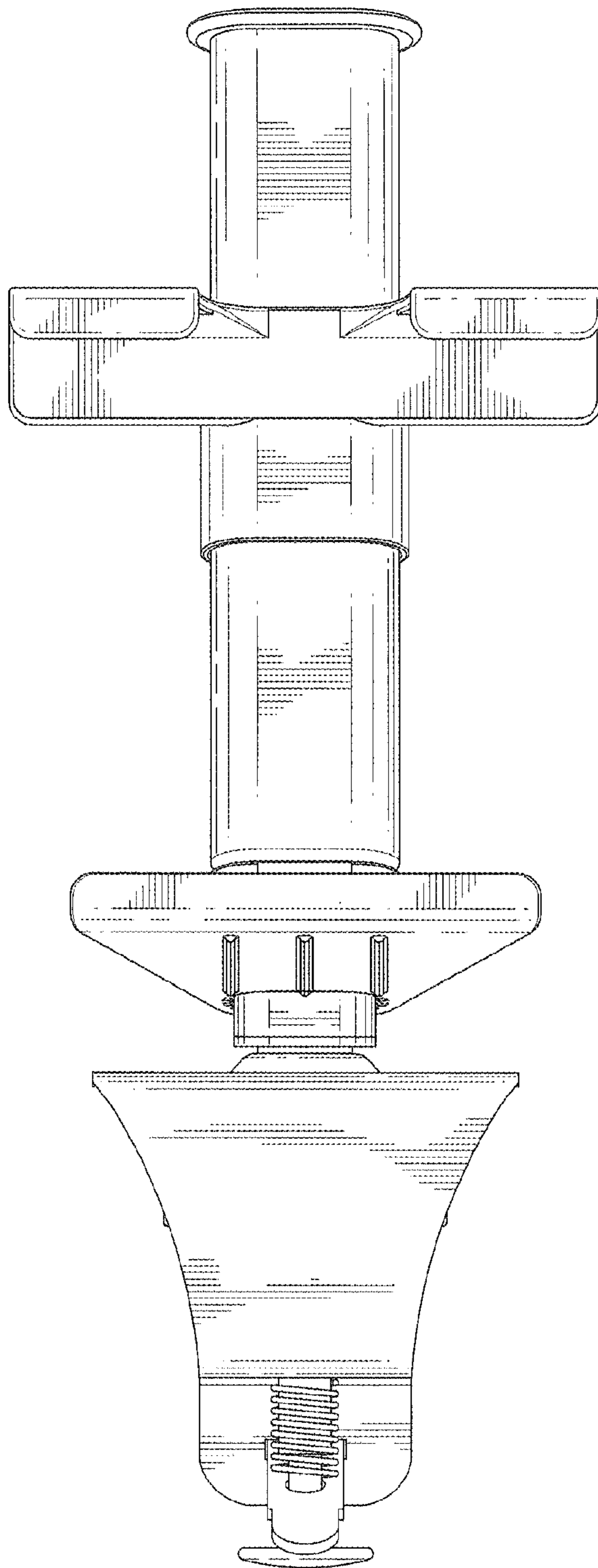


FIG. 4

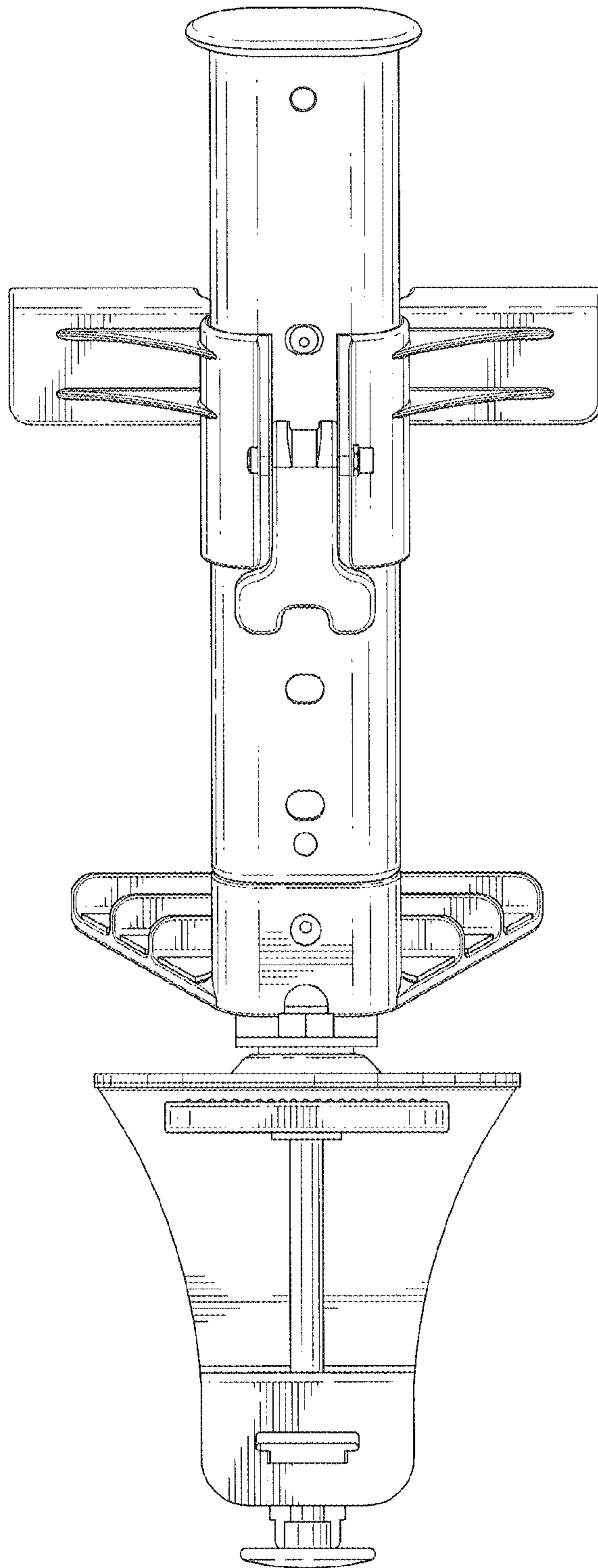


FIG. 5

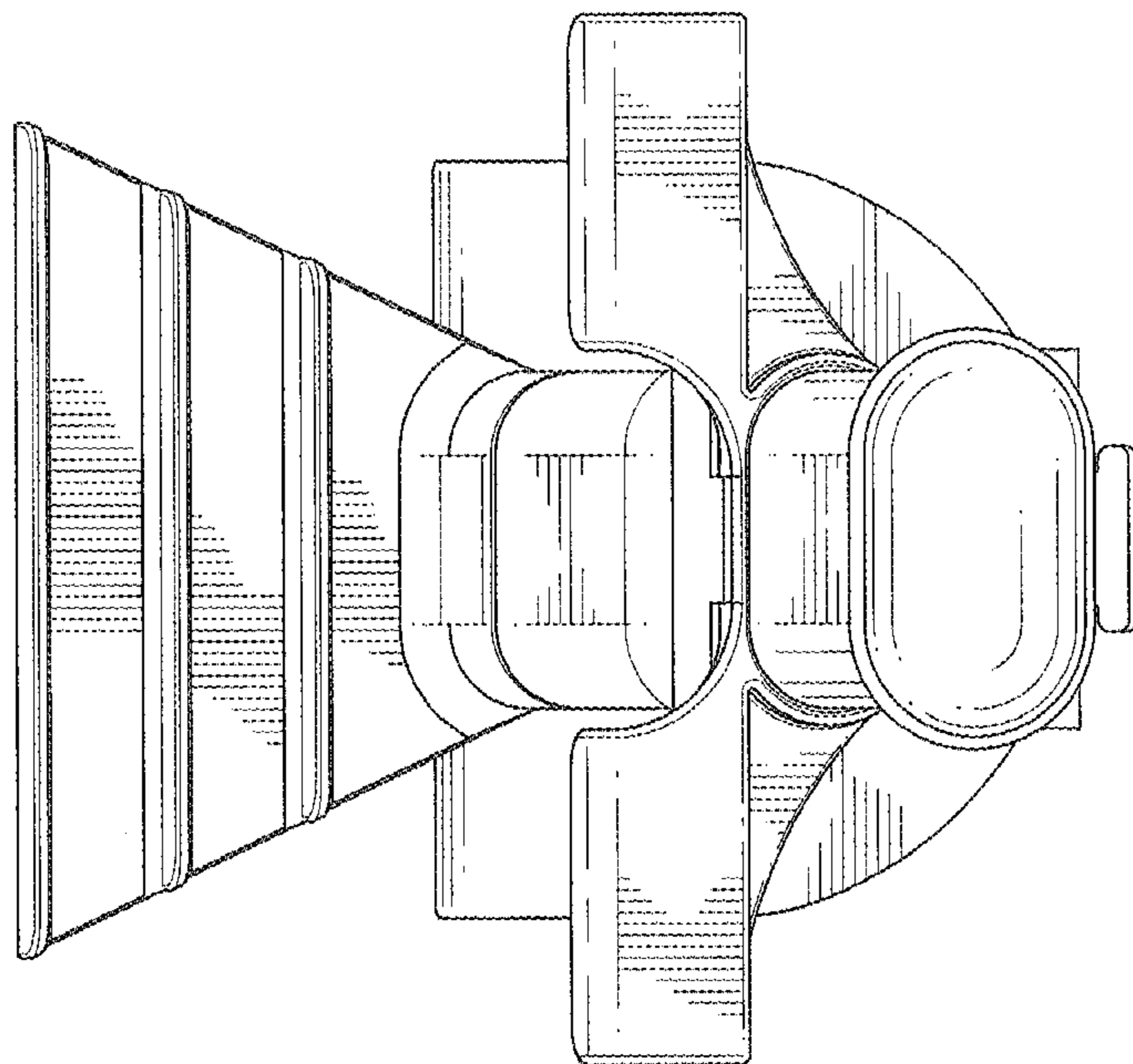


FIG. 6

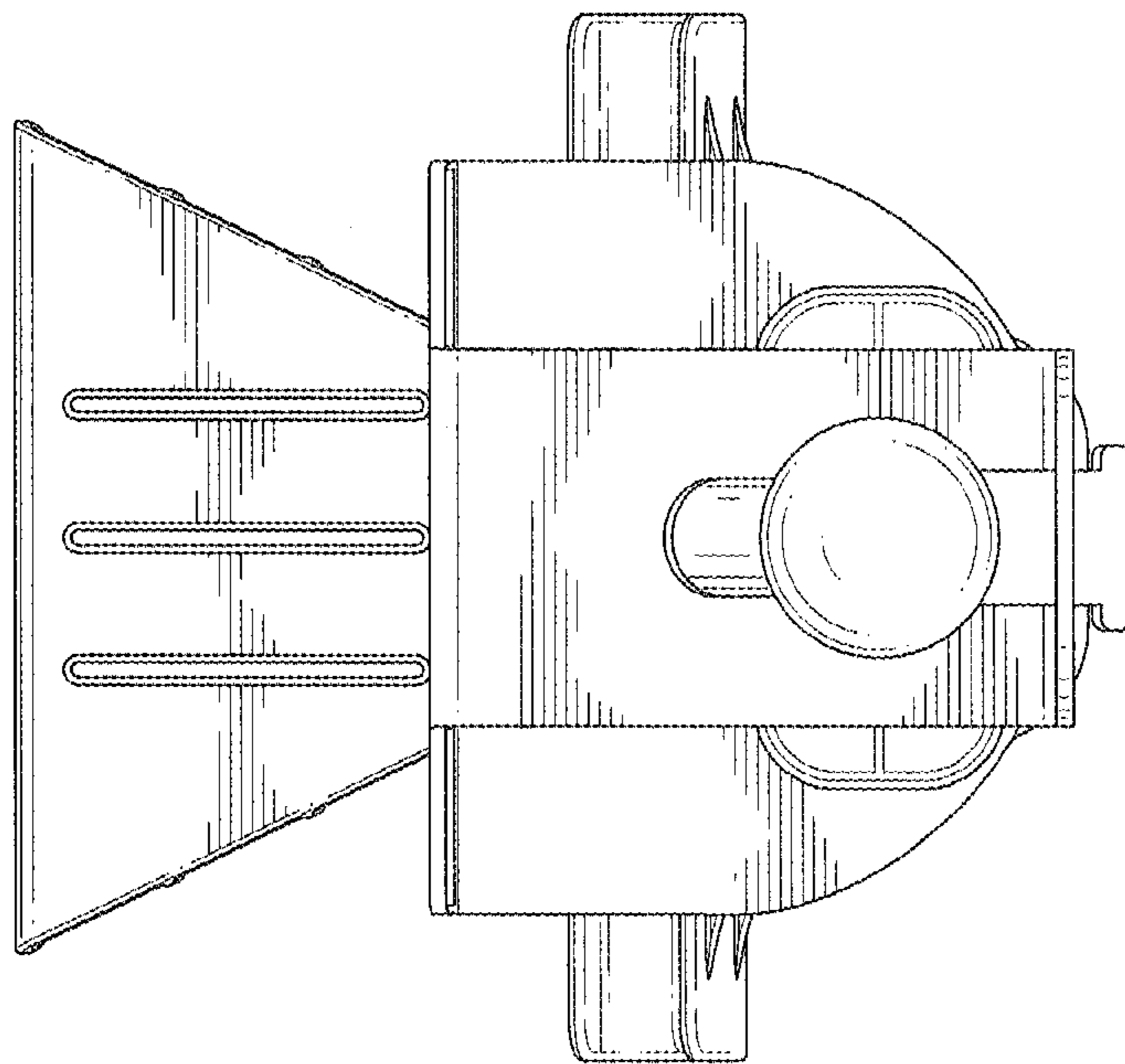


FIG. 7