



US00D749935S

(12) **United States Design Patent**  
**Rook et al.**

(10) **Patent No.:** **US D749,935 S**  
(45) **Date of Patent:** **\*\* Feb. 23, 2016**

- (54) **ROOFTOP SUPPORT BASE**
- (71) Applicant: **PHD Manufacturing, Inc.**, Columbiana, OH (US)
- (72) Inventors: **Benjamin J Rook**, Canfield, OH (US);  
**Robert J Burnside**, Struthers, OH (US)
- (73) Assignee: **PHD Manufacturing, Inc.**, Columbiana, OH (US)

(\*\*) Term: **14 Years**

(21) Appl. No.: **29/520,818**

(22) Filed: **Mar. 18, 2015**

(51) **LOC (10) Cl.** ..... **08-08**

(52) **U.S. Cl.**  
USPC ..... **D8/349**

(58) **Field of Classification Search**  
USPC ..... D8/300, 313, 314, 316, 321, 330, 343,  
D8/349, 354, 367, 373, 380, 382, 397-400,  
D8/499  
CPC ..... F16M 13/00; F16L 3/00; F16L 3/12;  
F16L 3/08; E01F 15/003; E01F 15/00; E04D  
13/15  
See application file for complete search history.

(56) **References Cited**

**U.S. PATENT DOCUMENTS**

- D229,384 S \* 11/1973 Groce et al. .... D8/354
- D242,619 S \* 12/1976 Bake ..... D23/250

- D569,799 S \* 5/2008 Kawahito ..... D13/125
- 7,866,093 B2 \* 1/2011 Krovats ..... E04D 13/12  
52/24
- D667,296 S \* 9/2012 Eichner ..... D8/380
- D671,890 S \* 12/2012 Tokashiki ..... D13/125
- D692,393 S \* 10/2013 Hillman ..... D13/102
- D738,711 S \* 9/2015 Tally ..... D8/380
- 2007/0120036 A1 \* 5/2007 Olle ..... F16L 3/24  
248/615
- 2010/0155545 A1 \* 6/2010 Birli ..... F16L 3/127  
248/70

\* cited by examiner

*Primary Examiner* — Thomas Johannes

*Assistant Examiner* — Shawn T Gingrich

(74) *Attorney, Agent, or Firm* — Botkin & Hall, LLP

(57) **CLAIM**

The ornamental design for a rooftop support base, as shown and described.

**DESCRIPTION**

FIG. 1 is a top perspective view of a rooftop support base; FIG. 2 is a bottom perspective view of the rooftop support base; FIG. 3 is a top view of the rooftop support base of FIG. 1; FIG. 4 is a front view of the rooftop support base of FIG. 1, the rear side being identical; FIG. 5 is a side view of the rooftop support base of FIG. 1, the opposite side being identical; and, FIG. 6 is a bottom view of the rooftop support base of FIG. 1.

**1 Claim, 3 Drawing Sheets**

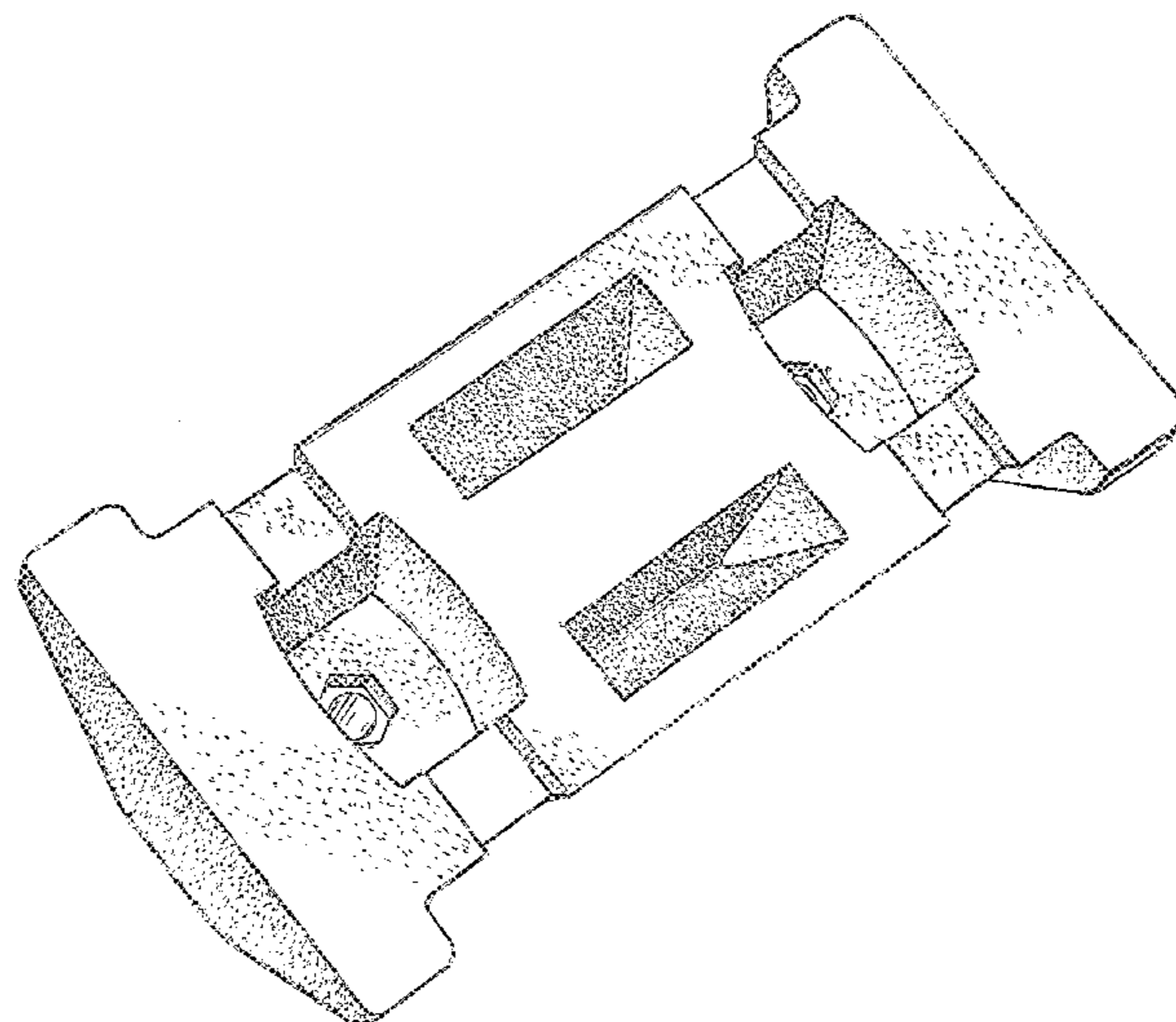
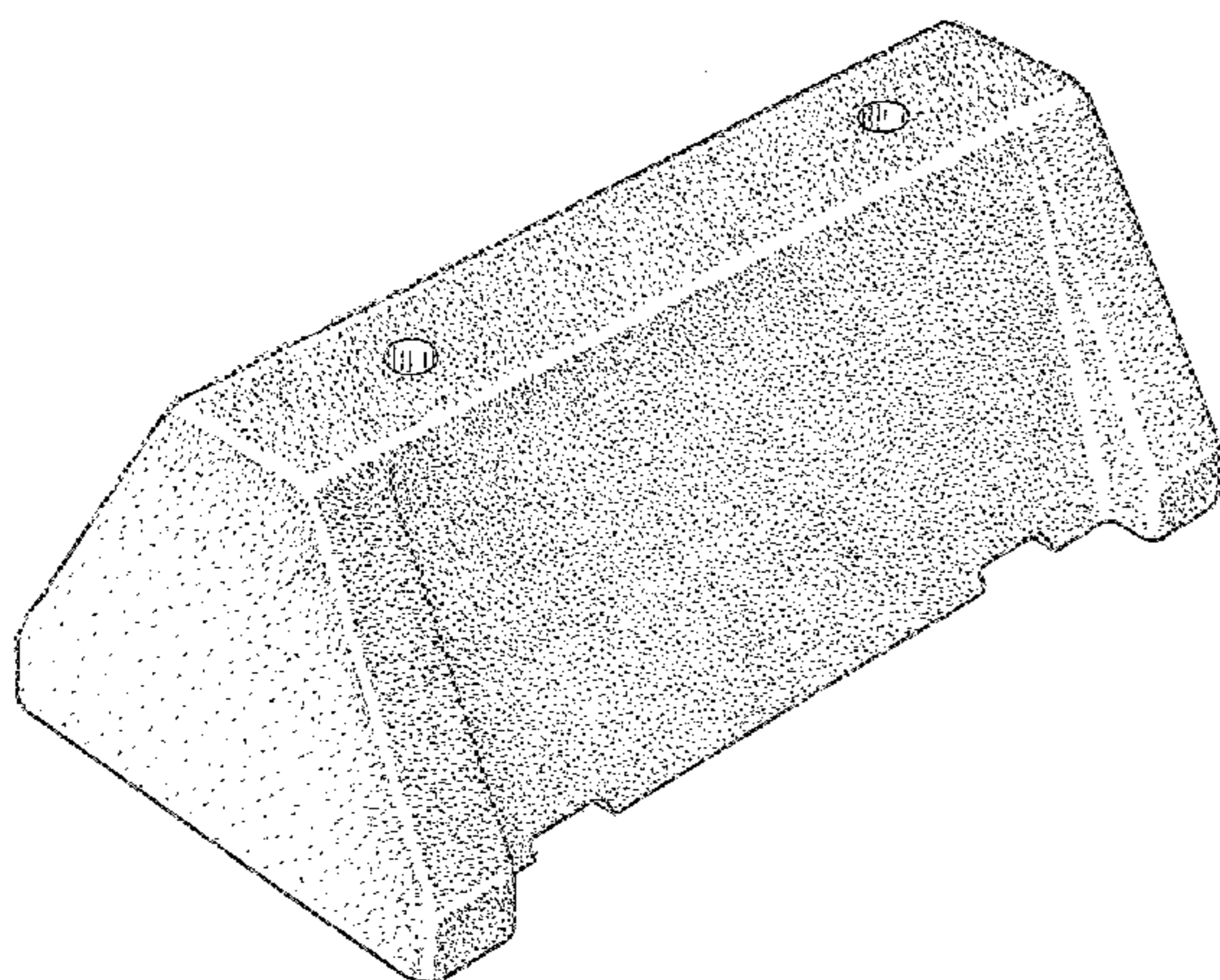


FIG. 1

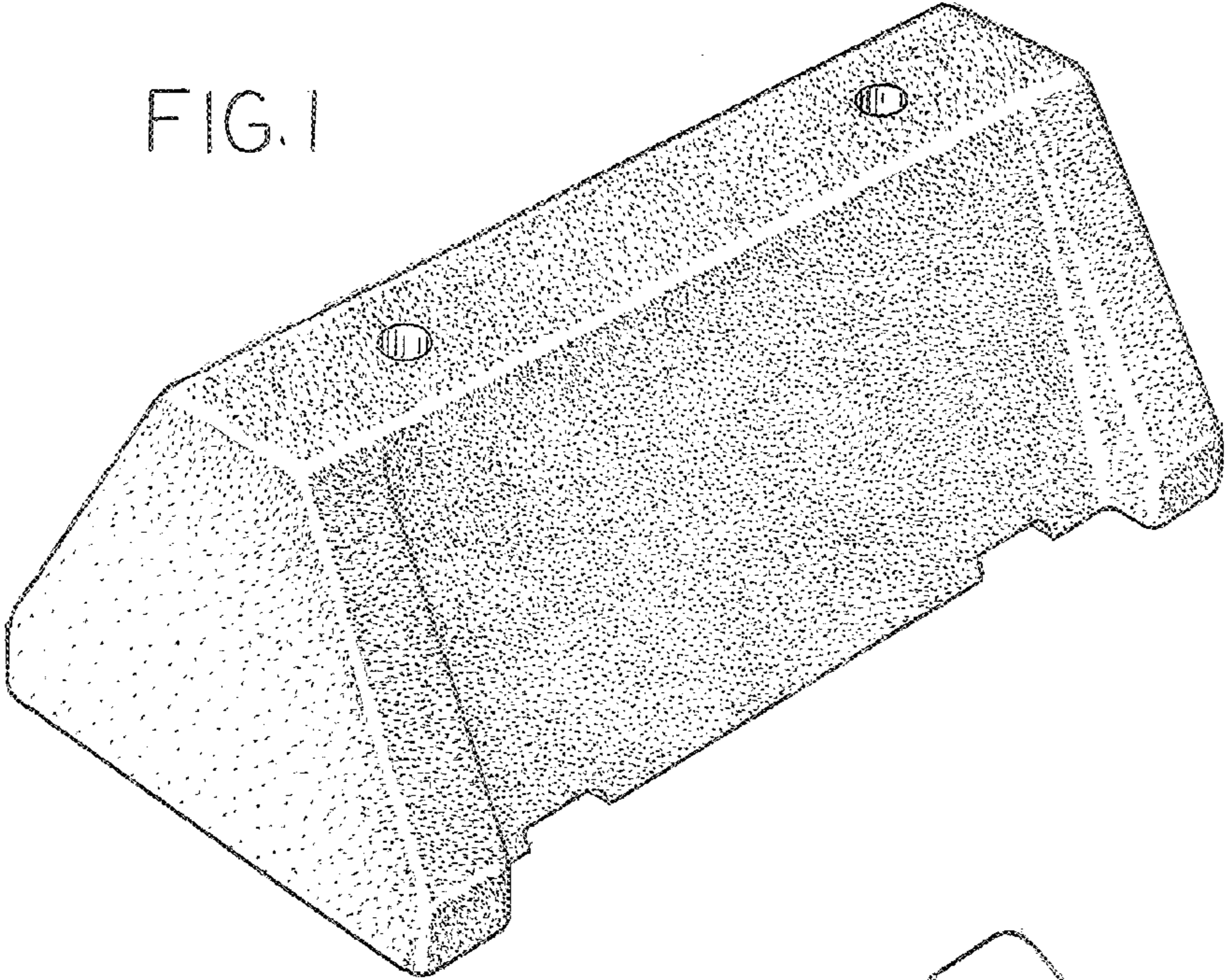


FIG. 2

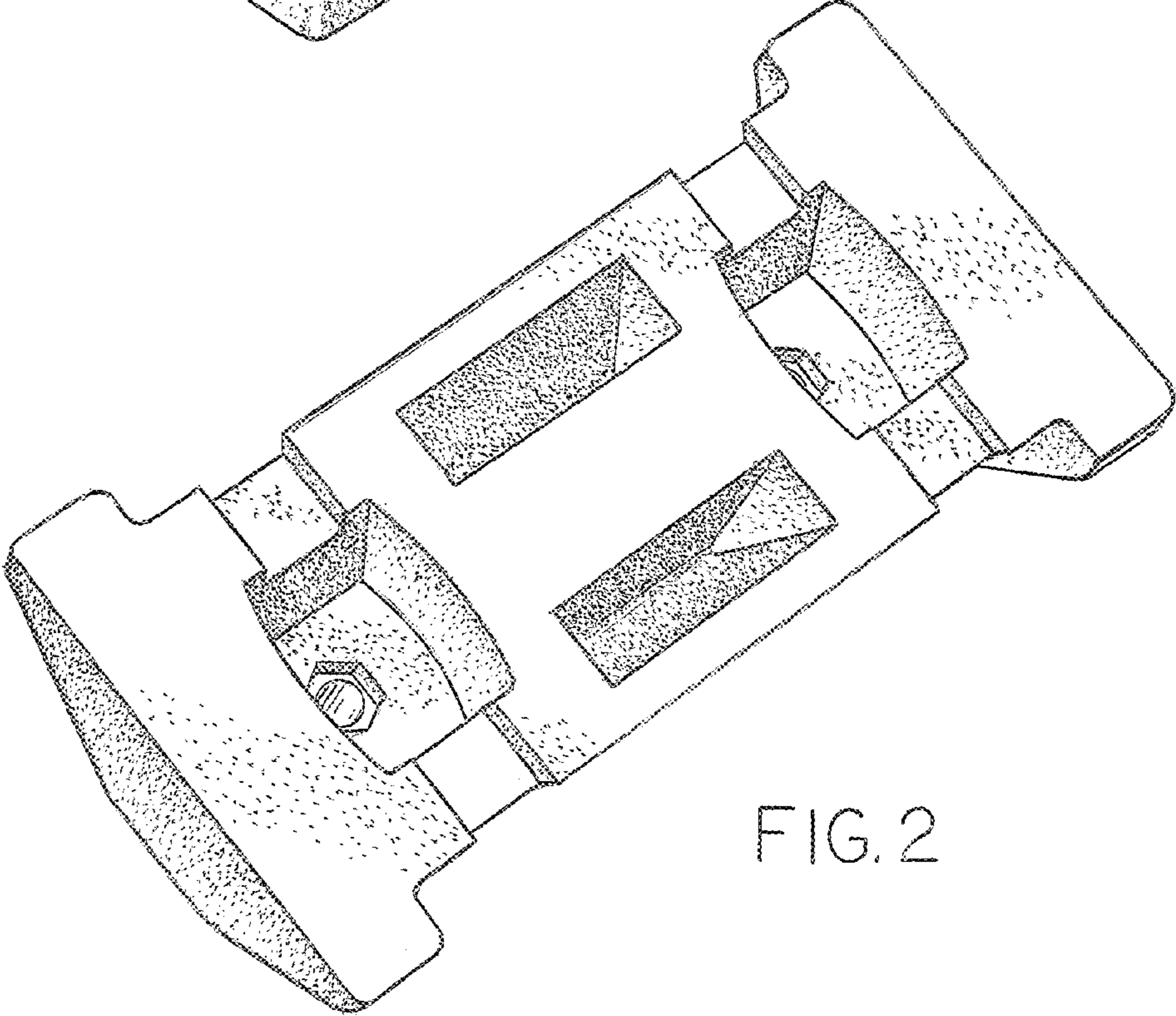


FIG. 3

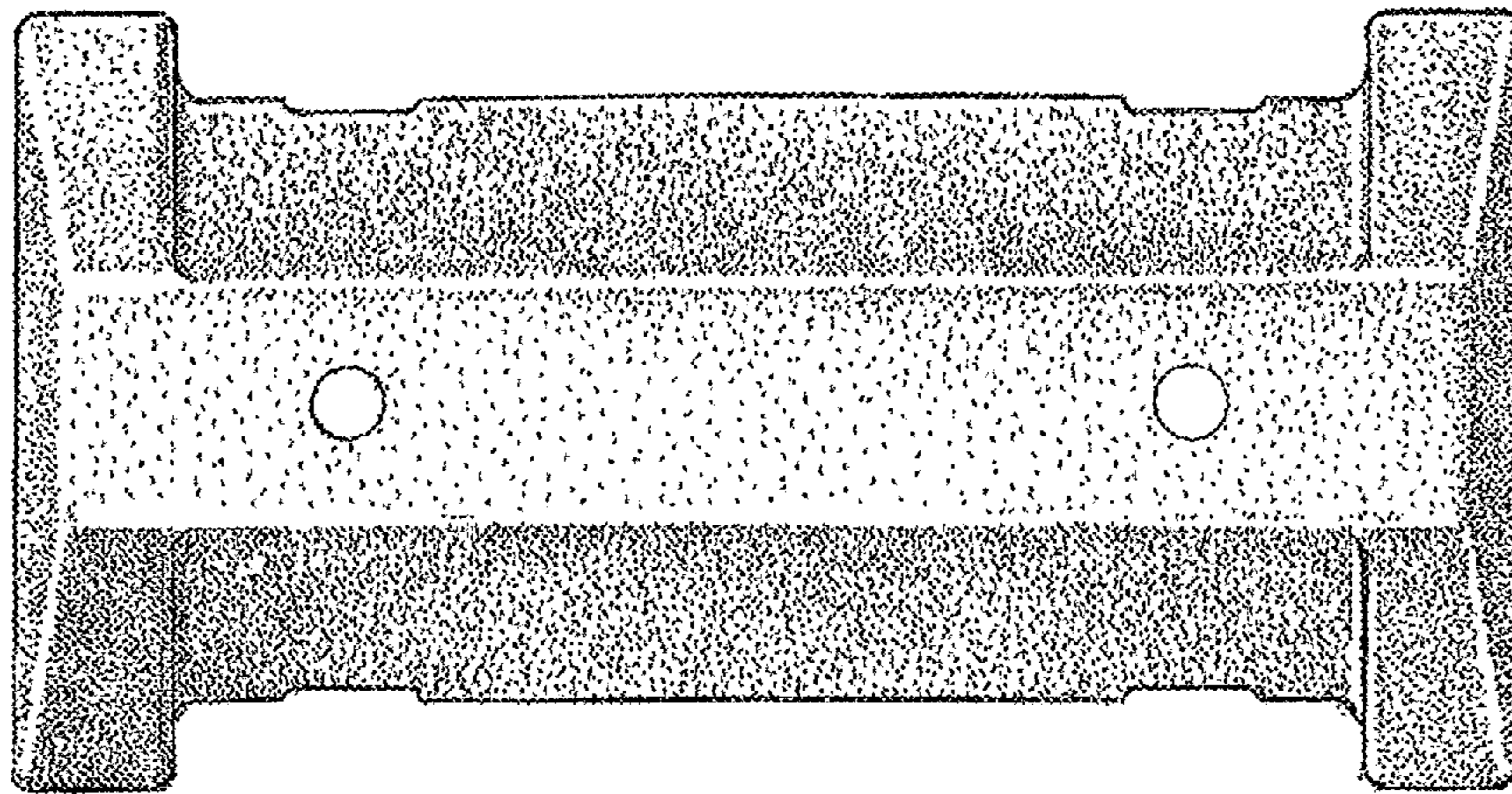


FIG. 4

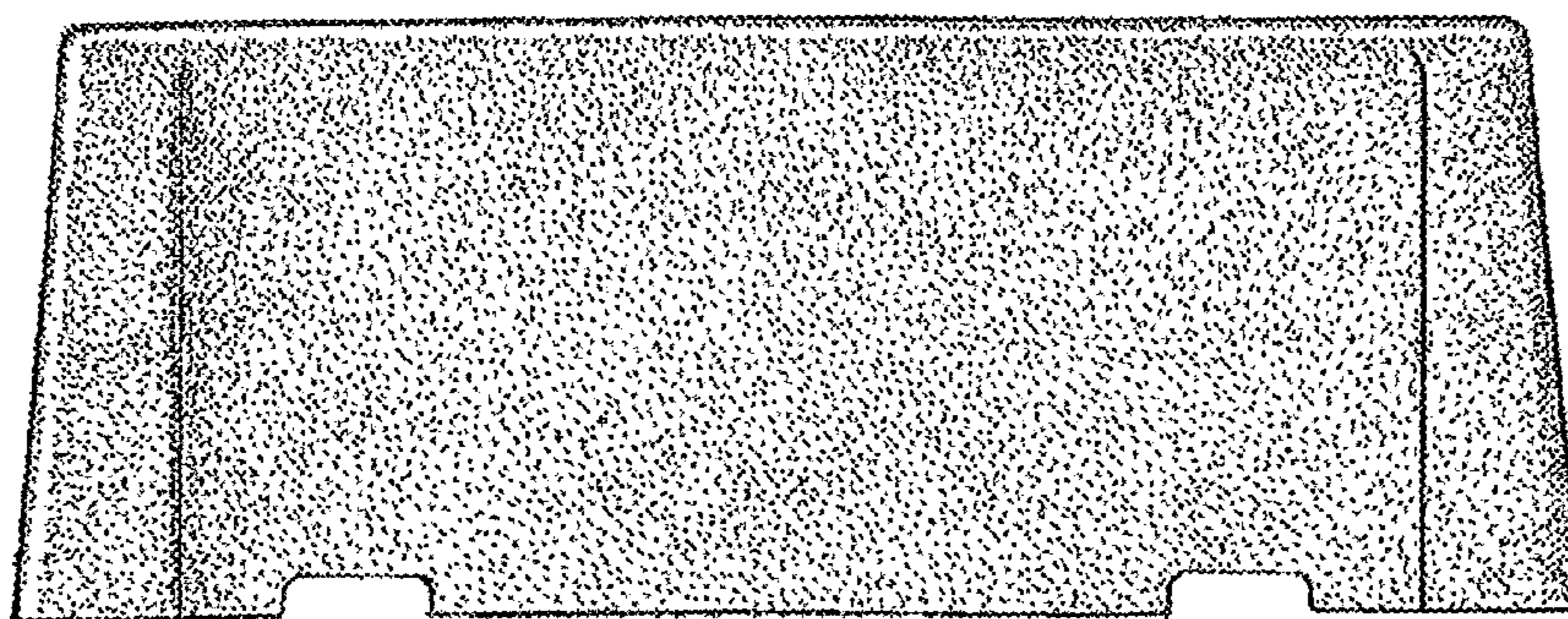


FIG. 5

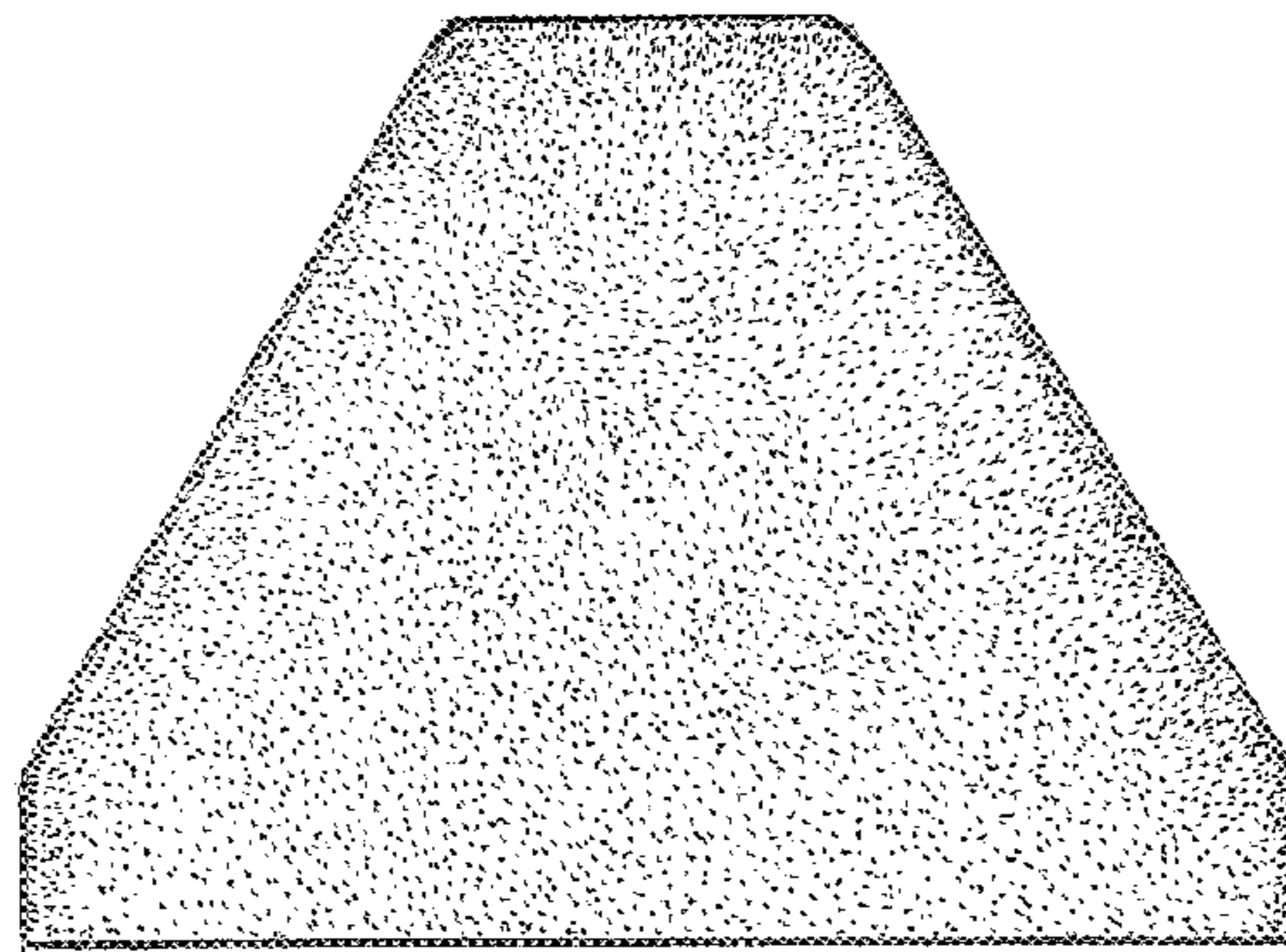


FIG. 6

