



US00D749934S

(12) **United States Design Patent**
Alfredsson

(10) **Patent No.:** **US D749,934 S**

(45) **Date of Patent:** **** Feb. 23, 2016**

(54) **PADDLE LATCH**

(71) Applicant: **Industrilås i Nässjö Aktiebolag, Nässjö (SE)**

(72) Inventor: **Bengt-Åke Alfredsson, Bodafors (SE)**

(73) Assignee: **Industrilås i Nässjö Aktiebolag, Nässjö (SE)**

(**) Term: **14 Years**

(21) Appl. No.: **29/494,661**

(22) Filed: **Jun. 23, 2014**

(30) **Foreign Application Priority Data**

Jan. 14, 2014 (EM) 002384081-0006

(51) **LOC (10) Cl.** **08-07**

(52) **U.S. Cl.**
USPC **D8/331**

(58) **Field of Classification Search**
USPC D8/330, 331, 335, 339, 302, 343;
70/141, 208; 292/336.3, 169, 358, 359,
292/170, 175, 165, 224, 140-145, 240-242,
292/DIG. 14, DIG. 30, DIG. 31, DIG. 4
CPC E05C 1/12; E05C 1/02; E05C 3/12;
E05C 3/08; E05C 19/00; E05B 3/00
See application file for complete search history.

(56) **References Cited**

U.S. PATENT DOCUMENTS

4,911,487 A * 3/1990 Rachoeki 292/216
5,042,253 A * 8/1991 Kataoka 60/560
D383,664 S * 9/1997 Bennett D8/331
5,927,773 A * 7/1999 Larsen et al. 292/337
5,983,682 A * 11/1999 Parikh 70/208
D536,235 S * 2/2007 Vickers et al. D8/331

D542,624 S * 5/2007 Vickers et al. D8/331
7,497,488 B2 * 3/2009 Chen 292/216
7,823,937 B2 * 11/2010 Vitry 292/336.3
D638,276 S * 5/2011 Tonizzo et al. D8/331
D654,779 S * 2/2012 Matre D8/356
D656,383 S * 3/2012 Matre D8/331
8,136,850 B2 * 3/2012 Wollacott et al. 292/173

* cited by examiner

Primary Examiner — Prabhakar Deshmukh

(74) *Attorney, Agent, or Firm* — Michael G. Johnston;
Moore & Van Allen PLLC

(57) **CLAIM**

The ornamental design for a paddle latch, as shown and described.

DESCRIPTION

FIG. 1 is a front perspective view of a paddle latch in a first position showing my new design.

FIG. 2 is a front perspective view of the paddle latch as shown in FIG. 1 in a second position showing my new design.

FIG. 3 is a top plan view of the paddle latch as shown in FIG. 1 showing my new design.

FIG. 4 is a bottom plan view of the paddle latch as shown in FIG. 1 showing my new design.

FIG. 5 is a front elevation view of the paddle latch as shown in FIG. 1 showing my new design.

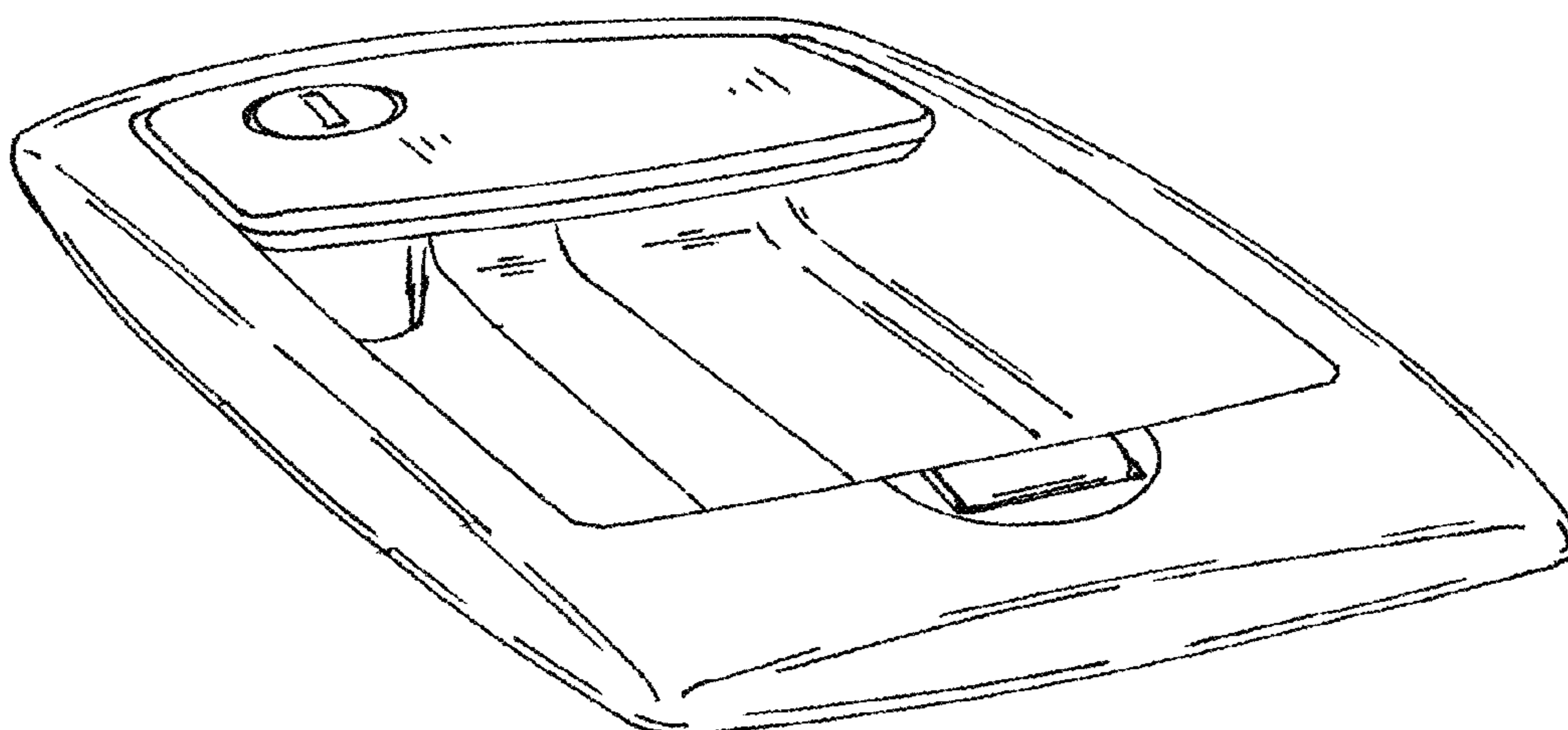
FIG. 6 is a rear elevation view of the paddle latch as shown in FIG. 1 showing my new design.

FIG. 7 is a right side elevation view of the paddle latch as shown in FIG. 1 showing my new design; and,

FIG. 8 is a left side elevation view of the paddle latch as shown in FIG. 1 showing my new design.

The broken line showing of the paddle latch is for the purpose of illustrating the bottom view and forms no part of the claimed design.

1 Claim, 3 Drawing Sheets



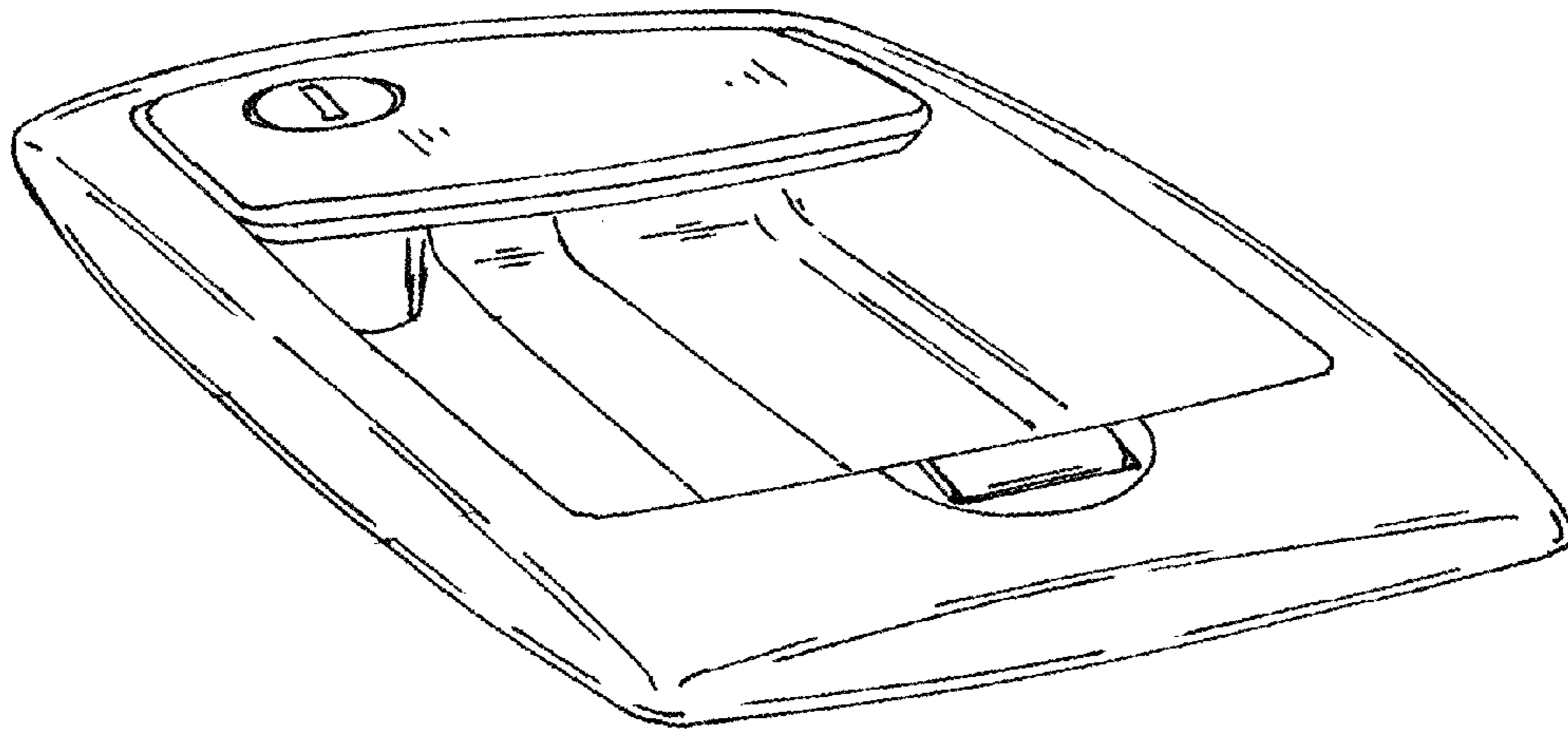


FIG. 1

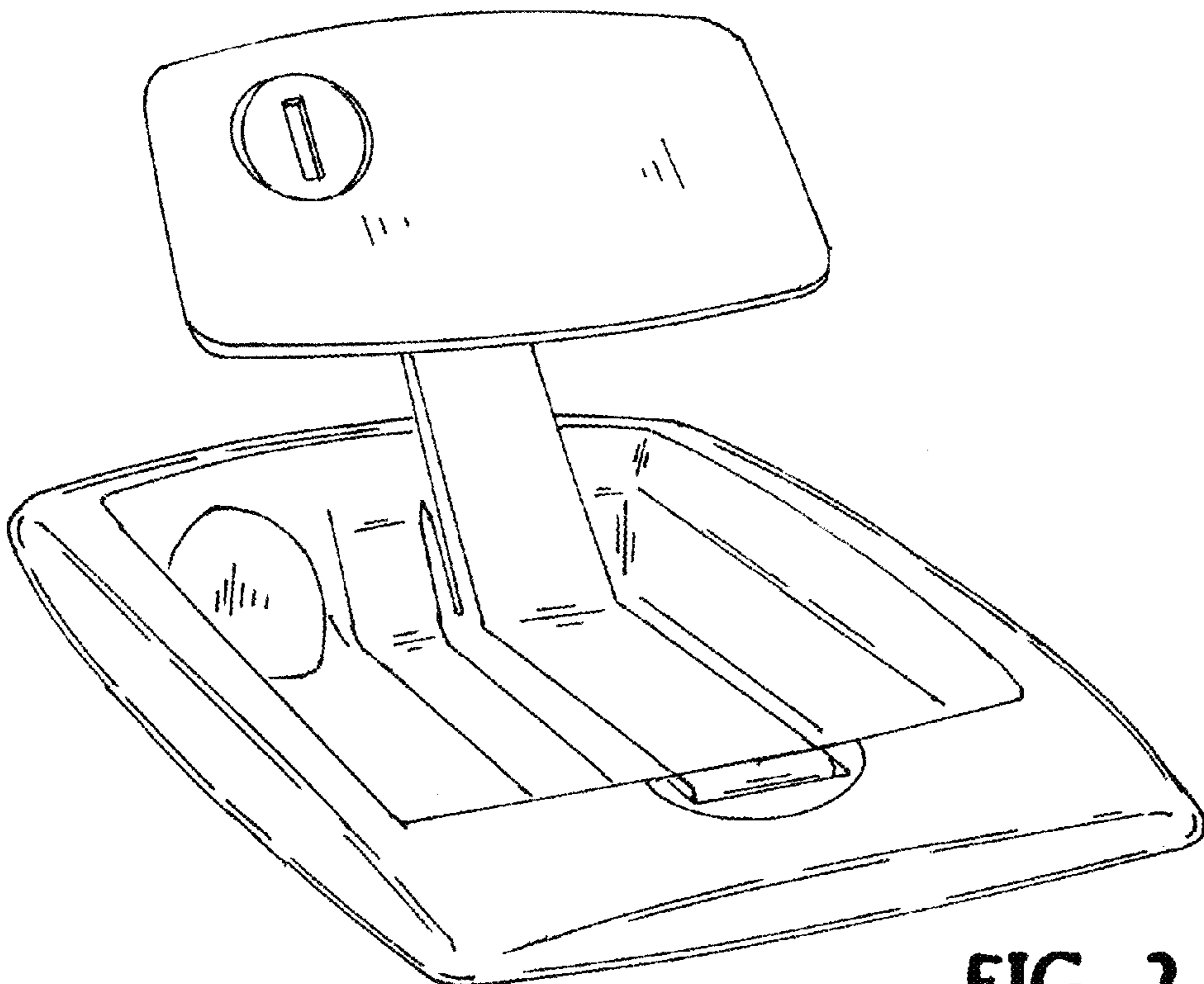


FIG. 2

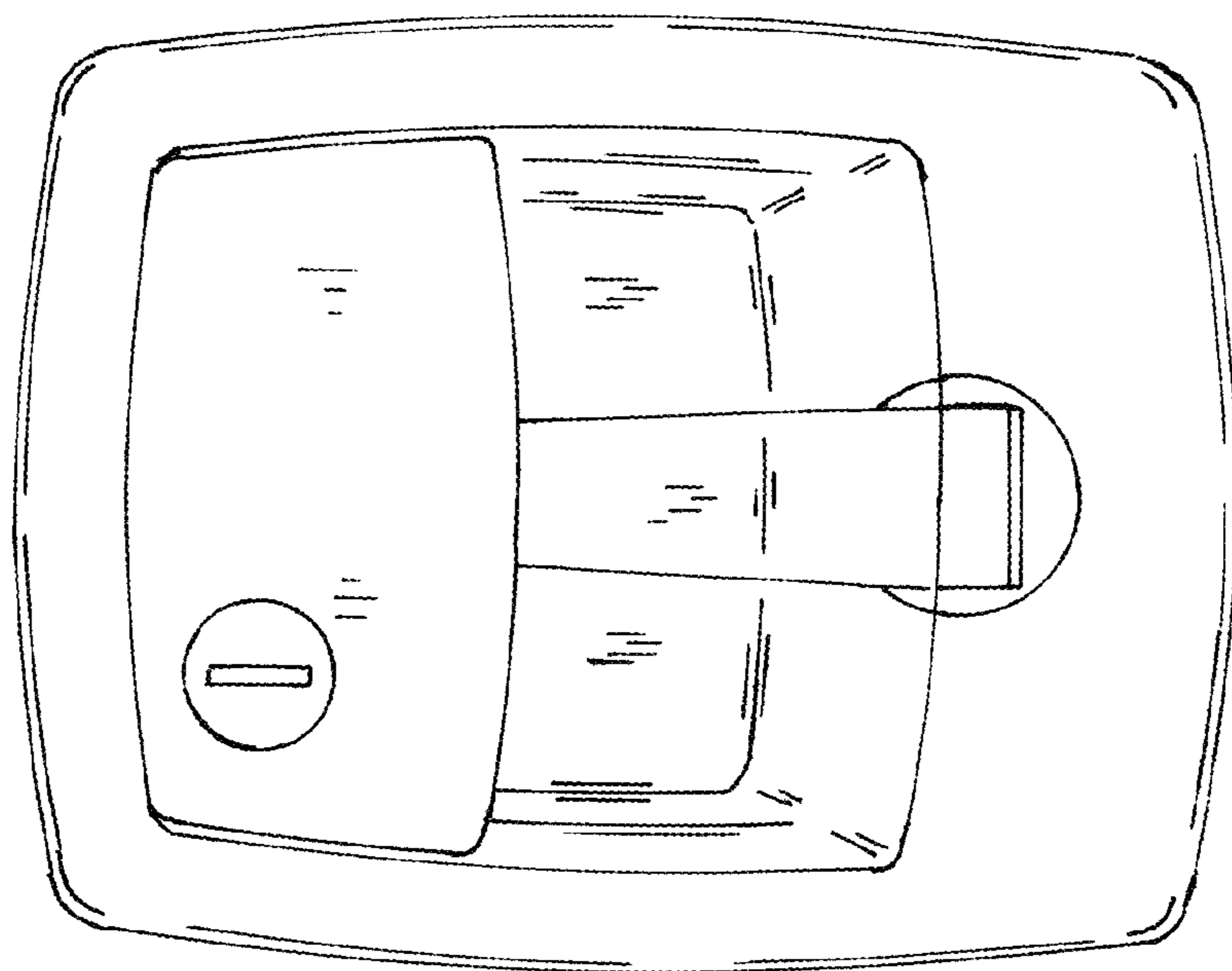


FIG. 3

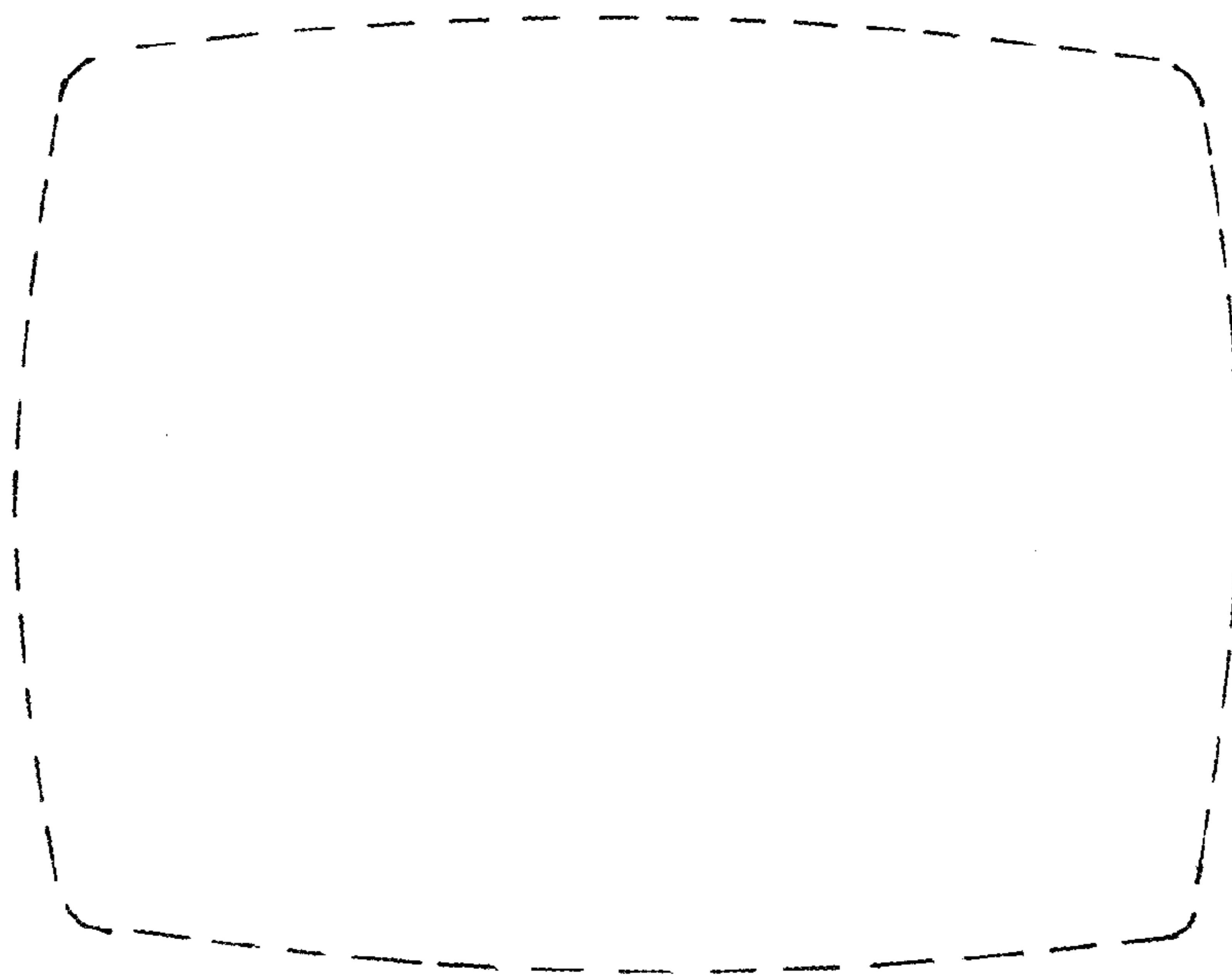


FIG. 4

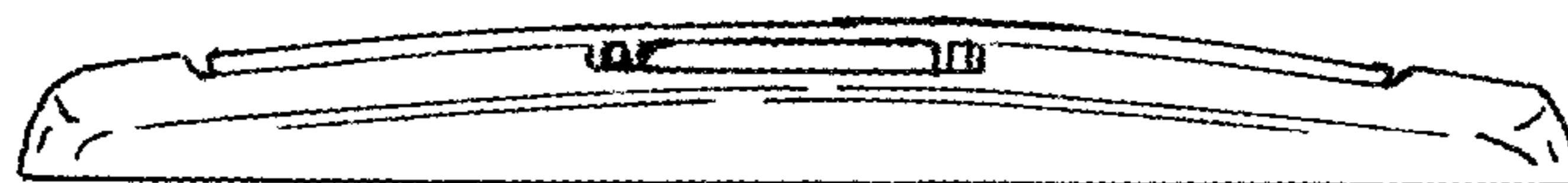


FIG. 5

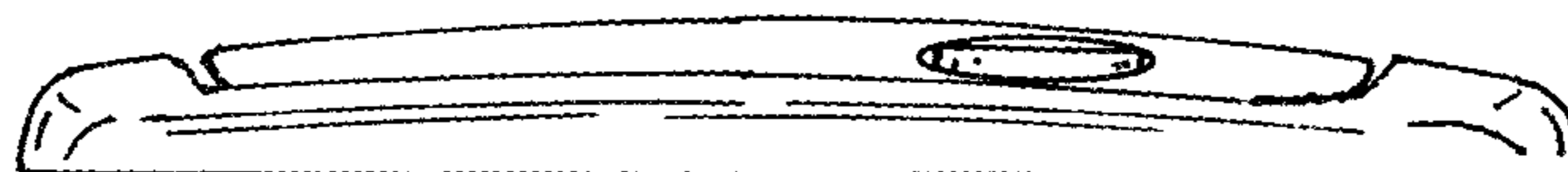


FIG. 6

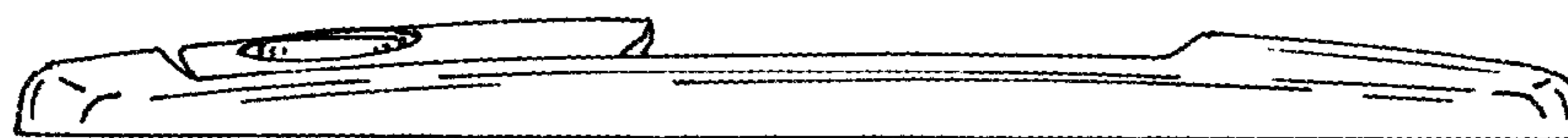


FIG. 7

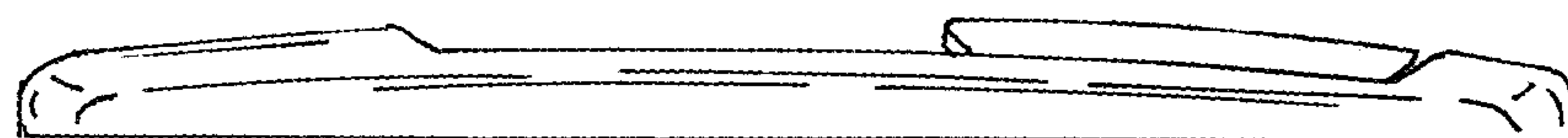


FIG. 8