



US00D749932S

(12) **United States Design Patent**  
**Hollman**

(10) **Patent No.:** **US D749,932 S**

(45) **Date of Patent:** **\*\* Feb. 23, 2016**

- (54) **KEYLESS SECURITY LOCK**
- (71) Applicant: **Keyless.co, LLC**, Irving, TX (US)
- (72) Inventor: **Joe Hollman**, Irving, TX (US)
- (73) Assignee: **Keyless.co LLC**, Irving, TX (US)
- (\*\*) Term: **14 Years**

6,865,913	B2 *	3/2005	Yamagishi .....	70/224
7,091,429	B2 *	8/2006	Case et al. ....	200/5 A
D545,172	S *	6/2007	Kaiser et al. ....	D8/331
D552,968	S *	10/2007	Roberts et al. ....	D8/350
7,374,084	B2 *	5/2008	Mitchell .....	235/382
D576,016	S *	9/2008	Min .....	D8/330
7,721,576	B2 *	5/2010	Amir .....	70/472
D630,489	S *	1/2011	Gratzki et al. ....	D8/330
D698,222	S *	1/2014	Guo .....	D8/330
D720,598	S *	1/2015	Dayanikli et al. ....	D8/330

\* cited by examiner

- (21) Appl. No.: **29/499,324**
- (22) Filed: **Aug. 13, 2014**
- (51) **LOC (10) Cl.** ..... **08-07**
- (52) **U.S. Cl.**  
USPC ..... **D8/330; D8/331**
- (58) **Field of Classification Search**  
USPC ..... D8/330, 331, 334, 300, 301, 302, 350;  
70/14, 20-22, 57, 57.1, 284-286, 314,  
70/DIG. 44  
CPC ..... E05B 47/00; E05B 13/10; E05B 49/00;  
E05B 67/00  
See application file for complete search history.

*Primary Examiner* — Prabhakar Deshmukh  
(74) *Attorney, Agent, or Firm* — Joseph G. Chu; JCIP

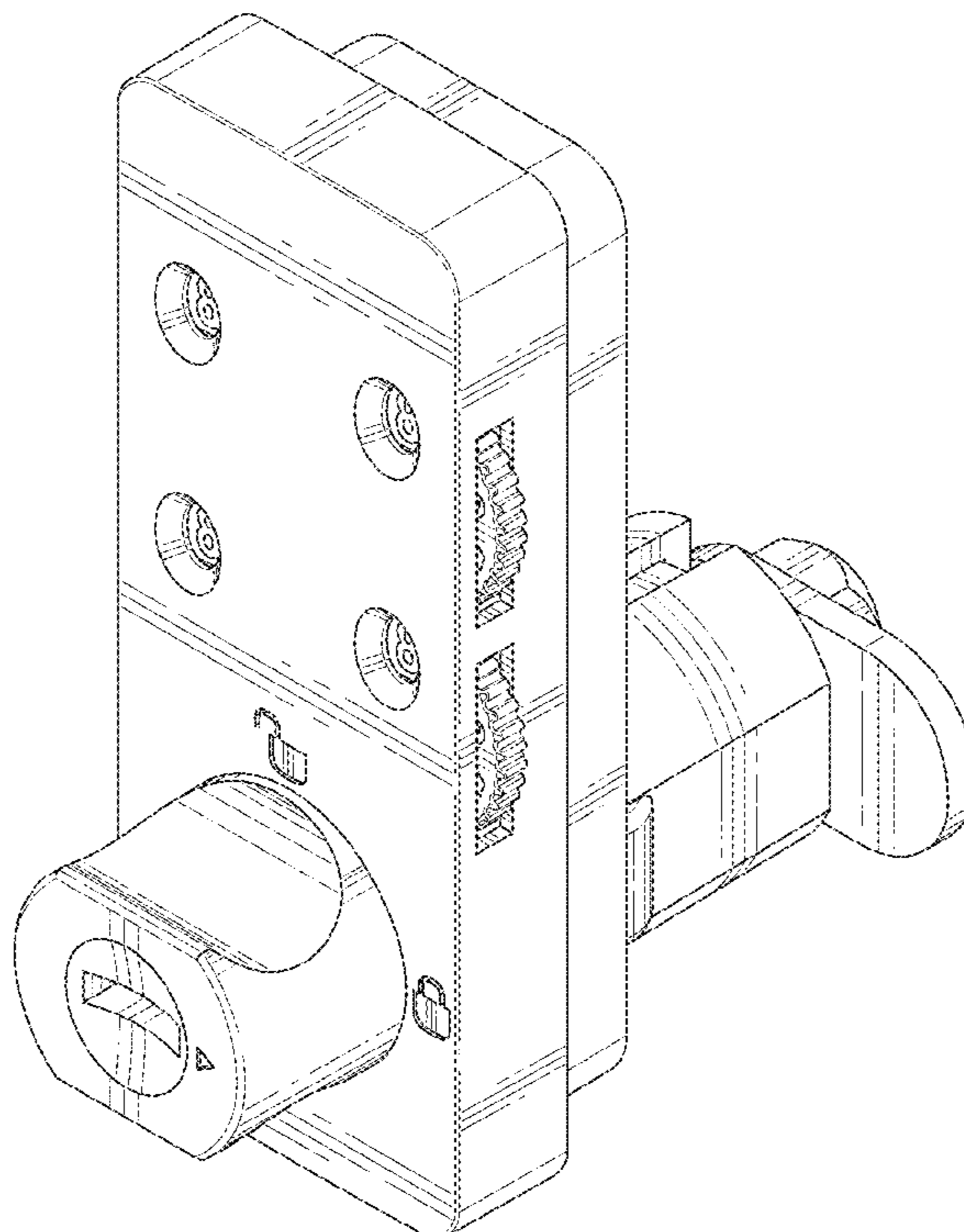
(57) **CLAIM**  
The ornamental design for a keyless security lock, as shown and described.

**DESCRIPTION**

FIG. 1 is a front perspective view of a keyless security lock; FIG. 2 is a front view of the keyless security lock, wherein the broken lines form no part of the claimed design and are hereby disclaimed. FIG. 3 is a back view of the keyless security lock; FIG. 4 is a left view of the keyless security lock; FIG. 5 is a right view of the keyless security lock; FIG. 6 is a top view of the keyless security lock; and, FIG. 7 is a bottom view of the keyless security lock.

- (56) **References Cited**  
U.S. PATENT DOCUMENTS  
5,841,361 A \* 11/1998 Hoffman ..... 340/5.54  
6,286,347 B1 \* 9/2001 Frolov ..... 70/472

**1 Claim, 7 Drawing Sheets**



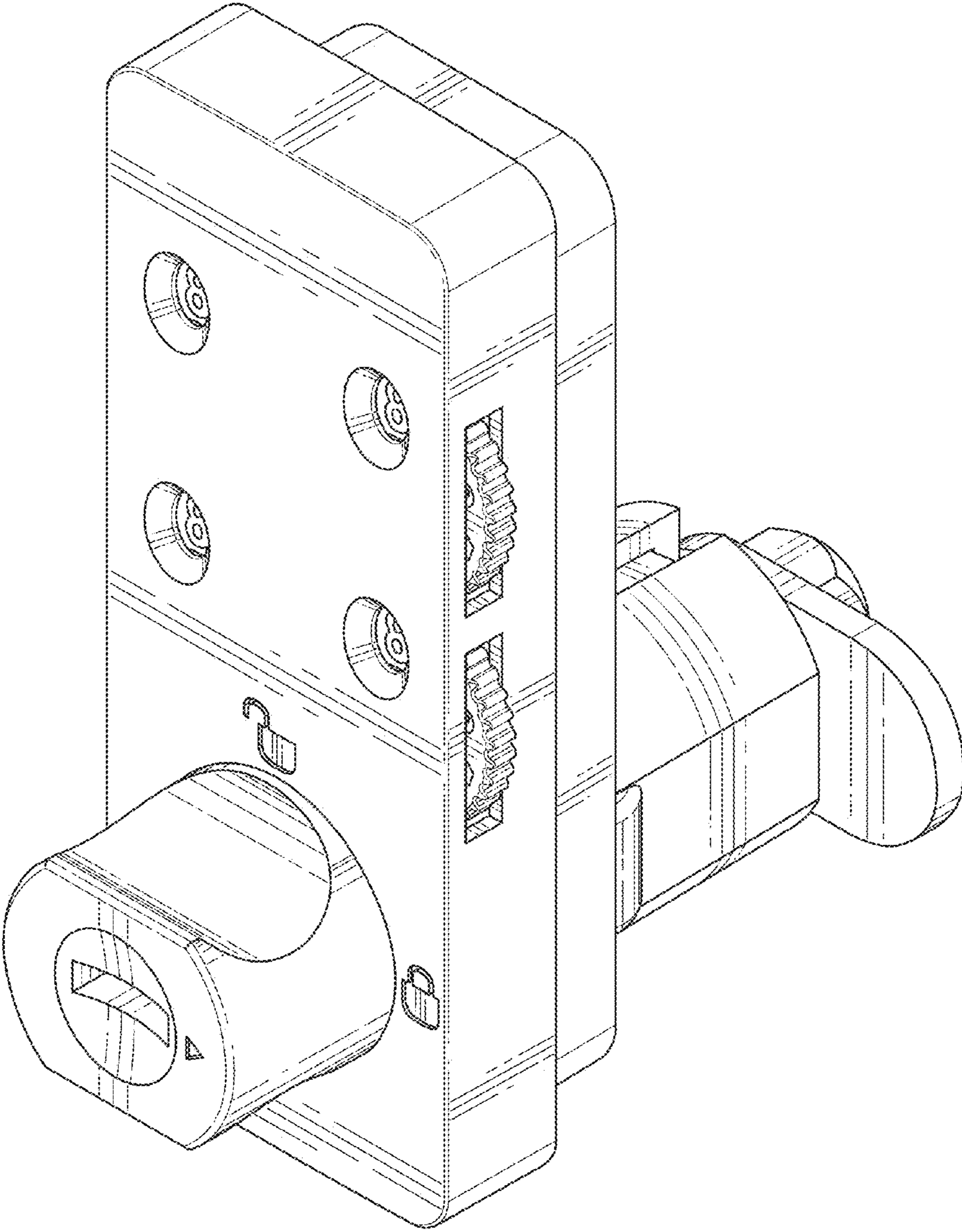


FIG. 1

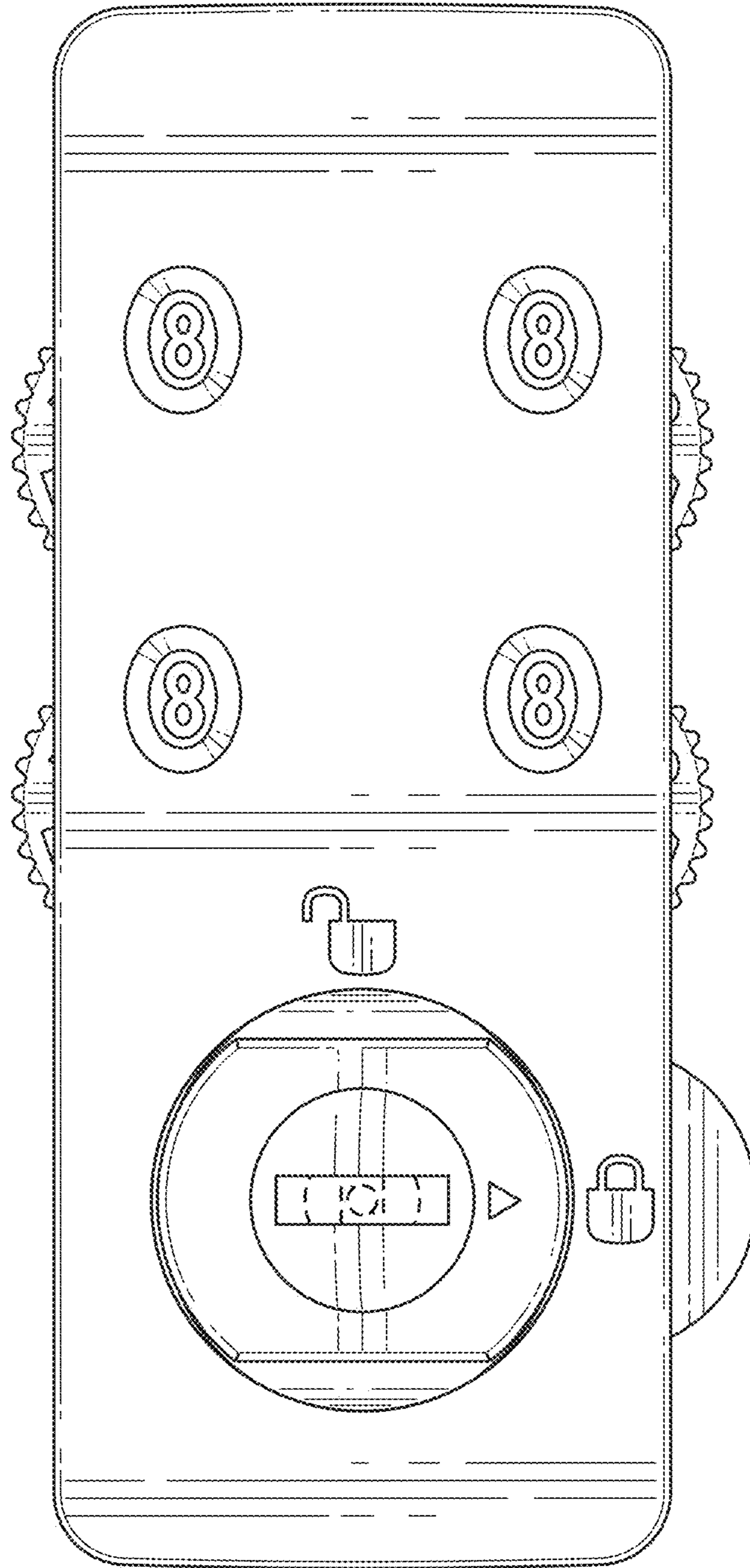


FIG. 2

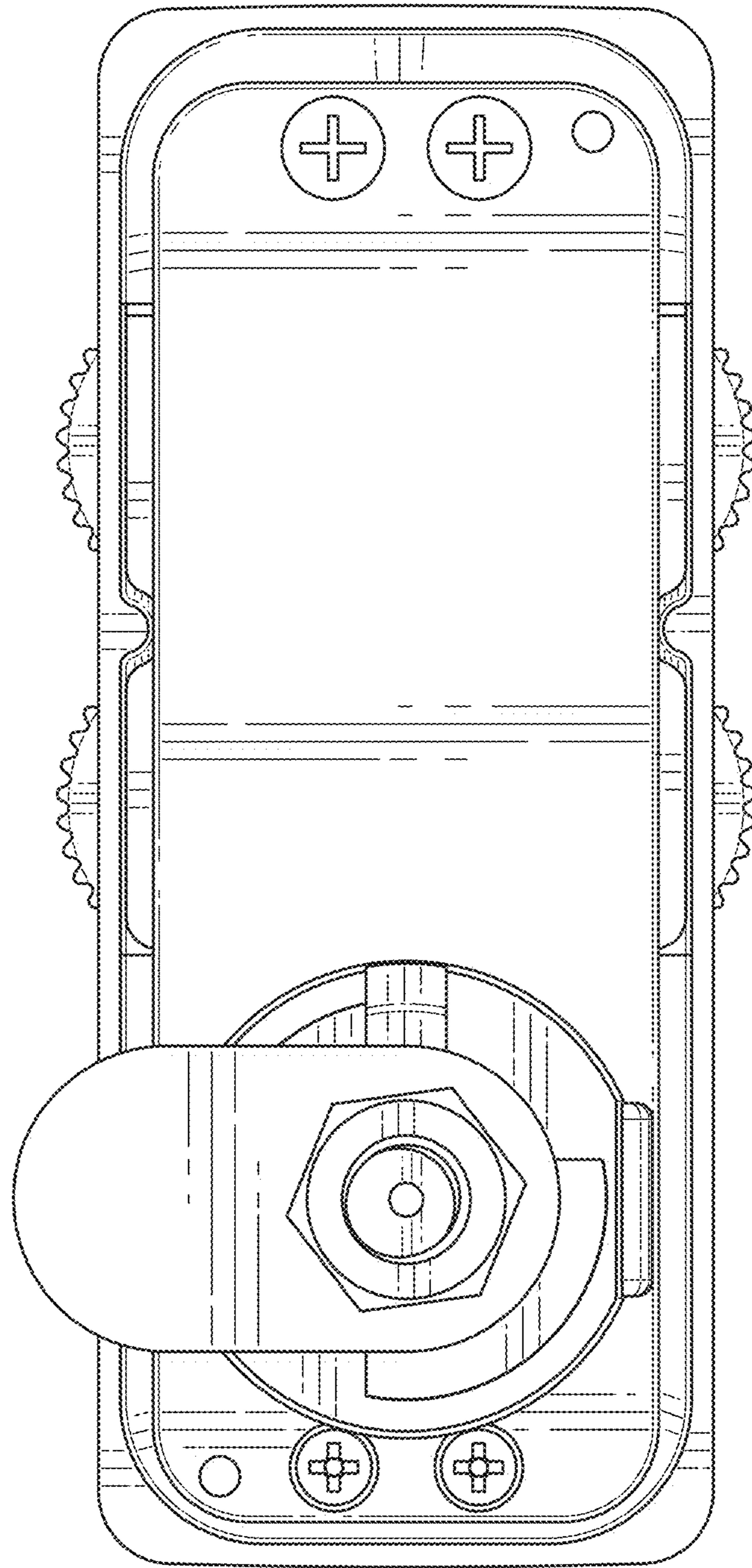


FIG. 3

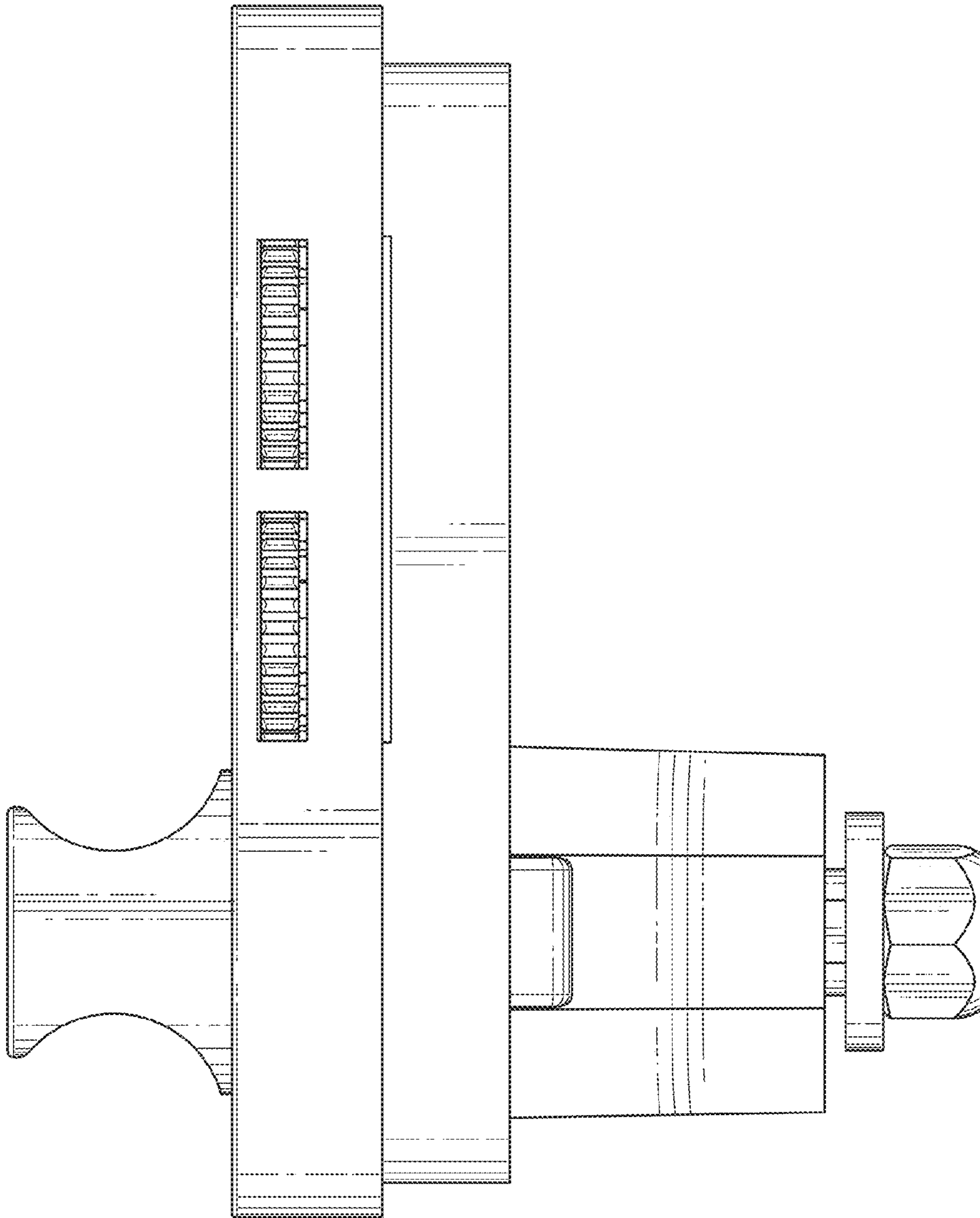


FIG. 4

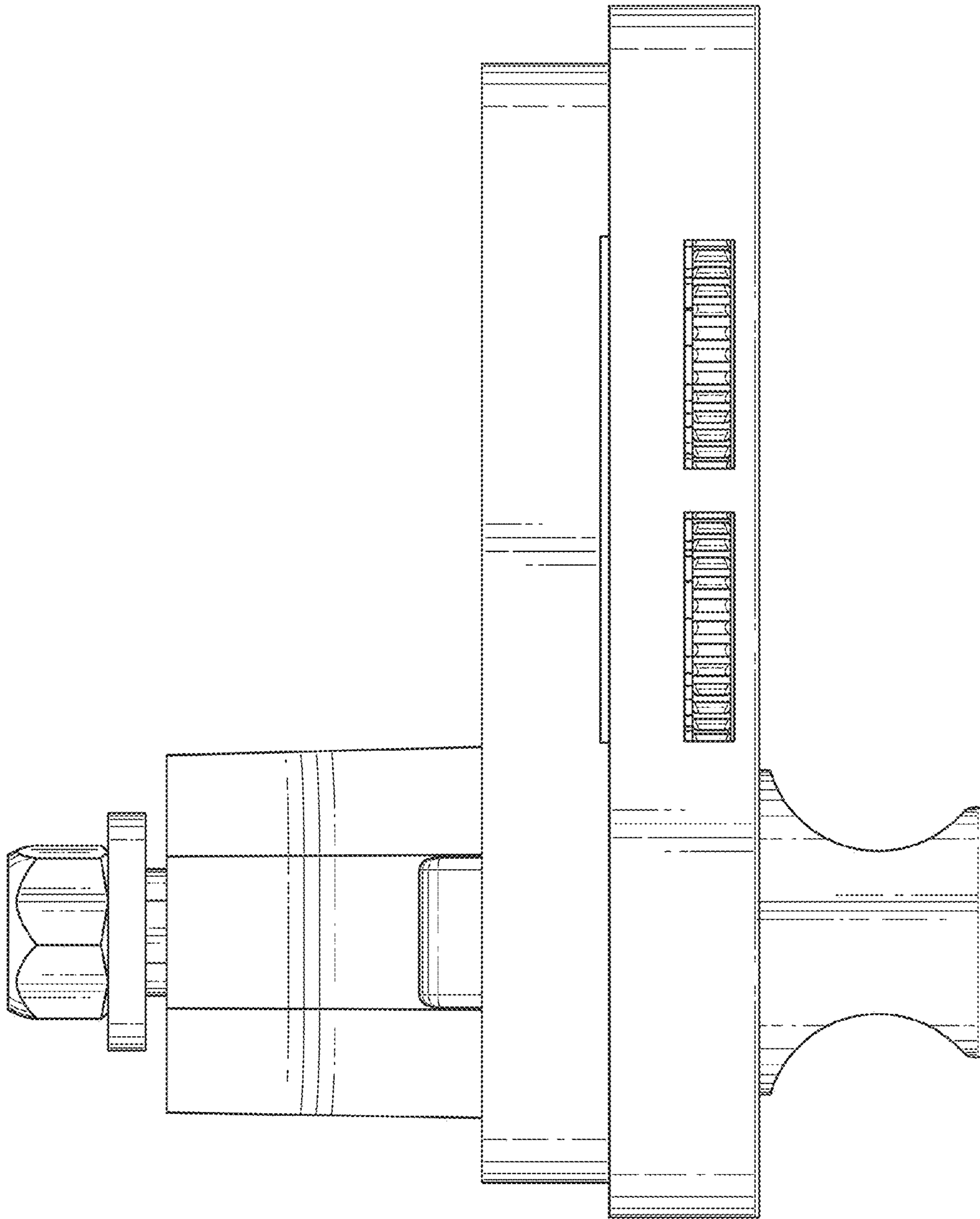


FIG. 5

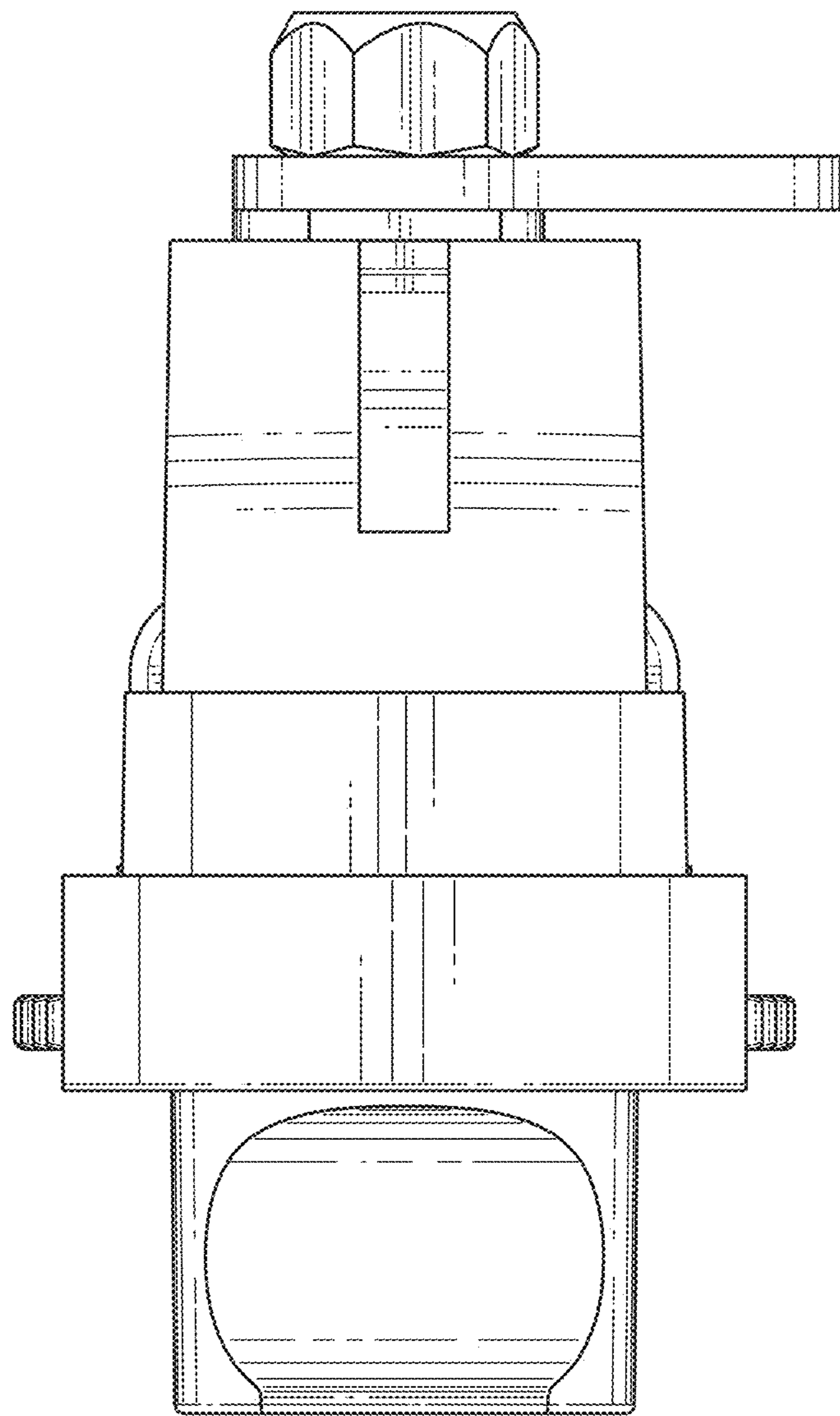


FIG. 6

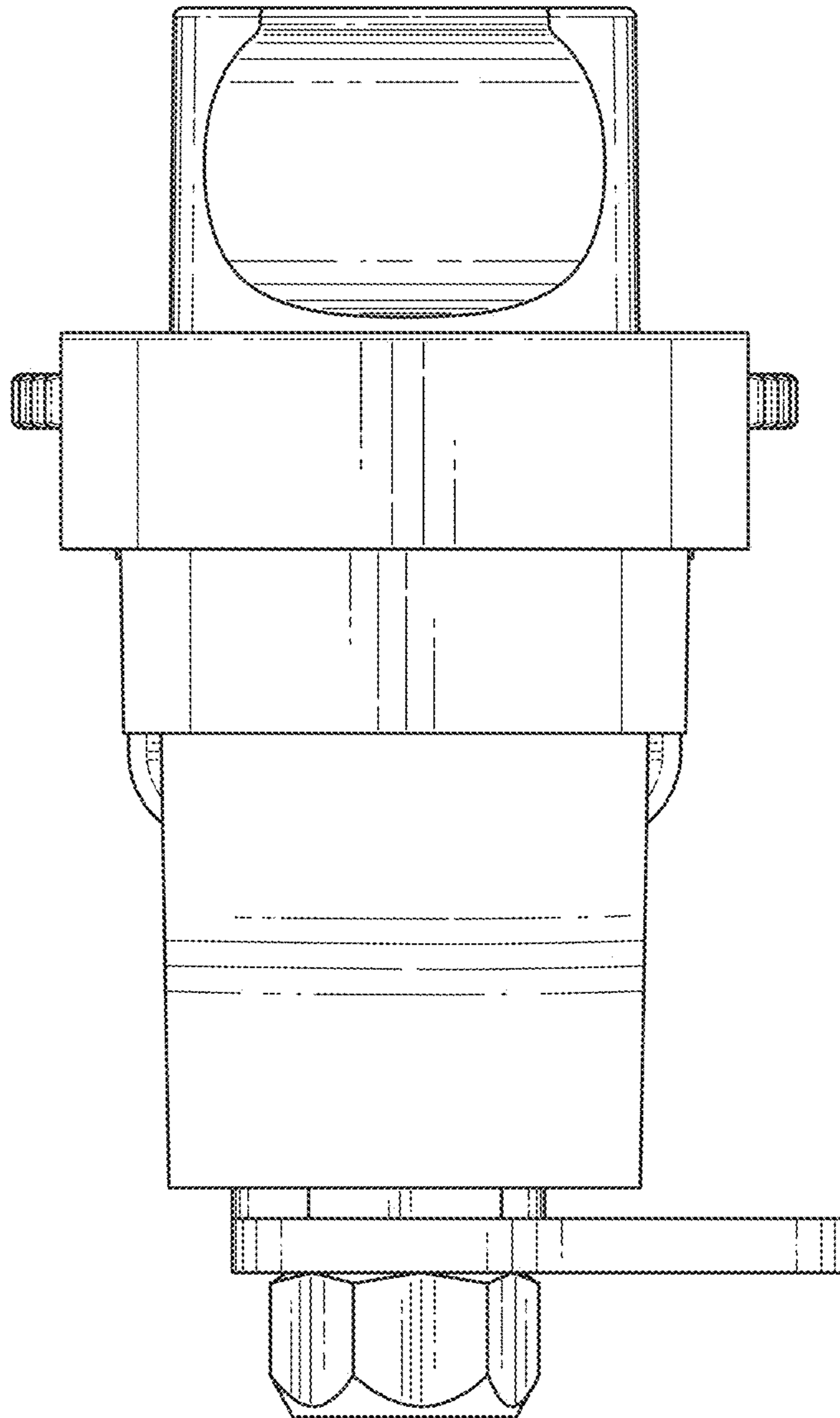


FIG. 7