



US00D749931S

(12) **United States Design Patent**
Oshima et al.

(10) **Patent No.:** **US D749,931 S**

(45) **Date of Patent:** **** Feb. 23, 2016**

(54) **HINGE FOR FURNITURE**

(71) Applicant: **SUGATSUNE KOGYO CO., LTD.**,
Chiyoda-ku, Tokyo (JP)

(72) Inventors: **Kazuyoshi Oshima**, Chiyoda-ku (JP);
Shingo Takamatsu, Chiyoda-ku (JP);
Hideki Ogasawara, Tokyo (JP); **Masato Arai**, Tokyo (JP); **Kouichi Tsukamoto**, Tokyo (JP)

(73) Assignee: **SUGATSUNE KOGYO CO., LTD.**,
Chiyoda -ku (JP)

(**) Term: **14 Years**

(21) Appl. No.: **29/512,978**

(22) Filed: **Dec. 23, 2014**

(30) **Foreign Application Priority Data**

Jun. 26, 2014 (JP) 2014-013968

(51) **LOC (10) Cl.** **08-06**

(52) **U.S. Cl.**
USPC **D8/323**

(58) **Field of Classification Search**
USPC D8/323, 328; 16/250, 338, 227;
D12/223
CPC E05D 5/12; E05D 11/082; E05D 1/02;
E05D 5/065; E05D 7/0415; E05D 5/0276;
E05D 7/04; B64G 1/222; A47B 96/061
See application file for complete search history.

(56) **References Cited**

U.S. PATENT DOCUMENTS

- D240,392 S * 7/1976 Gorton D8/323
- D259,240 S * 5/1981 Myron D12/317
- D260,852 S * 9/1981 Loeschen D8/381
- D268,893 S * 5/1983 Salice D8/323
- 4,558,485 A * 12/1985 Rock E05D 3/142
16/370
- D299,616 S * 1/1989 Ferrari D8/323
- D309,247 S * 7/1990 Grass D8/323

- D309,704 S * 8/1990 Grass D8/323
- D336,841 S * 6/1993 Wilson D8/323
- 5,412,840 A * 5/1995 Lautenschlager E05D 5/0276
16/238
- 5,511,287 A * 4/1996 Lautenschlager E05D 7/0407
16/236

(Continued)

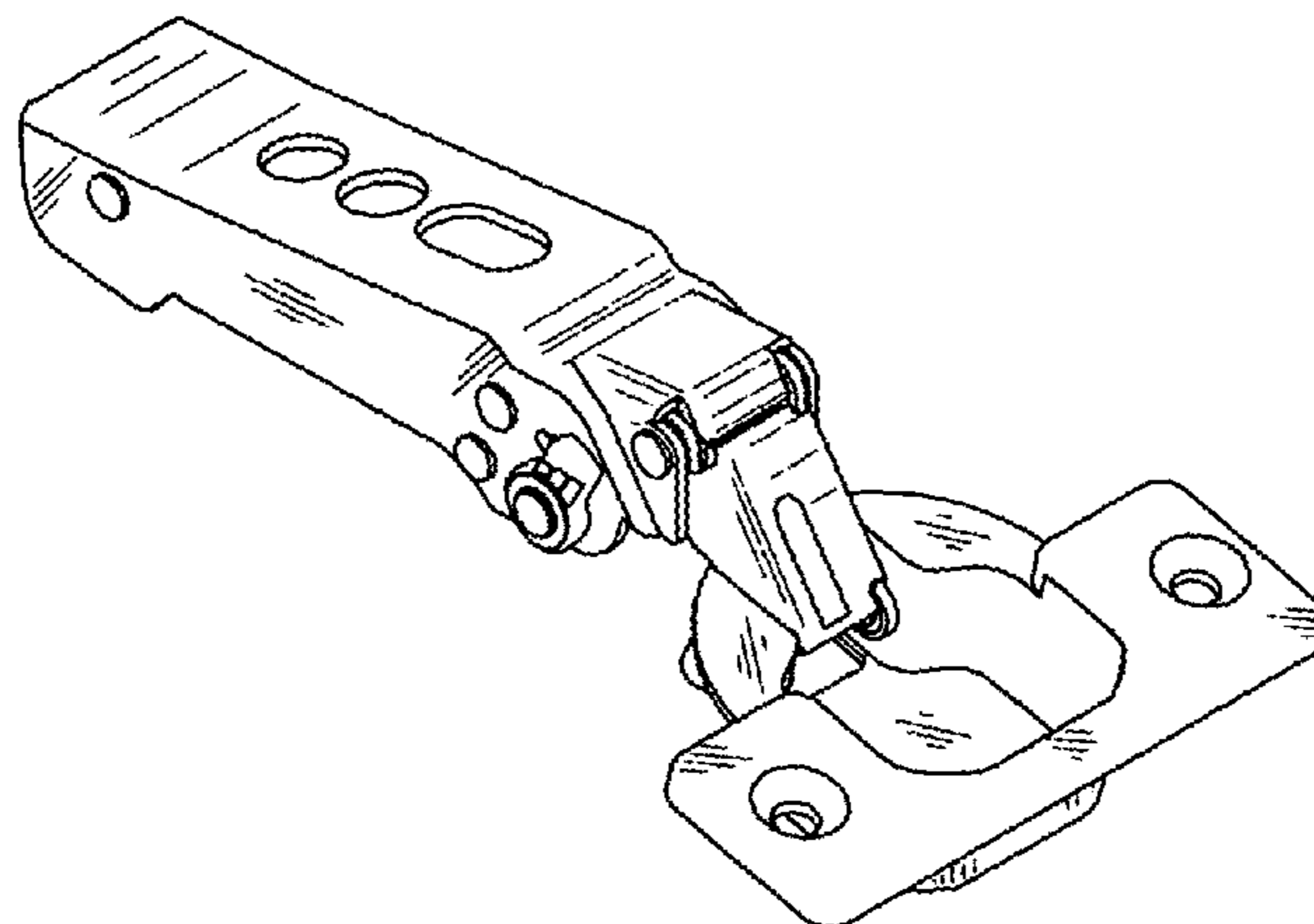
Primary Examiner — Cynthia Underwood
(74) *Attorney, Agent, or Firm* — Masuvalley & Partners

(57) **CLAIM**
The ornamental design for a hinge for furniture, as shown and described.

DESCRIPTION

FIG. 1 is a perspective view of the hinge for furniture according to the invention;
 FIG. 2 is a left side elevation view of the hinge for furniture of FIG. 1;
 FIG. 3 is a right side elevation view of the hinge for furniture of FIG. 1;
 FIG. 4 is a top plan view of the hinge for furniture of FIG. 1;
 FIG. 5 is a bottom plan view of the hinge for furniture of FIG. 1;
 FIG. 6 is a front elevation view of the hinge for furniture of FIG. 1;
 FIG. 7 is a rear elevation view of the hinge for furniture of FIG. 1;
 FIG. 8 is a cross-sectional view of the hinge for furniture through line 8-8 shown in FIG. 4;
 FIG. 9 is a cross-sectional view of the hinge for furniture through line 9-9 shown in FIG. 3;
 FIG. 10 is a left side elevation view of the hinge for furniture according to the invention in a state where the hinge for furniture is closed; and,
 FIG. 11 is a perspective view of the hinge for furniture according to the invention in a state where a metal pedestal is attached.
 The broken line showing of the hinge for furniture is for the purpose of illustrating the environmental structure and forms no part of the claimed design.

1 Claim, 5 Drawing Sheets



(56)

References Cited

U.S. PATENT DOCUMENTS

5,577,297	A *	11/1996	Lautenschlager	E05D 5/08				
						16/254			
D395,590	S *	6/1998	Finkelstein	D8/323				
5,964,010	A *	10/1999	Huber	E05D 7/0407				
						16/237			
6,170,121	B1 *	1/2001	Domenig	E05D 5/065				
						16/236			
D451,000	S *	11/2001	Karl	D8/323				
6,401,298	B1 *	6/2002	Lenz	E05D 11/1021				
						16/303			
6,557,210	B2 *	5/2003	Kincaid	E05D 11/0054				
						16/250			
6,810,563	B1 *	11/2004	Domenig	E05D 5/065				
						16/236			
D523,323	S *	6/2006	Domenig	D8/323				
D611,801	S *	3/2010	Chustak	D8/355				
D633,773	S *	3/2011	Yamanaka	D8/323				
7,945,996	B2 *	5/2011	Gunderson	E05F 1/061				
						16/303			
D642,701	S *	8/2011	Howard	D25/15				
D643,131	S *	8/2011	Howard	D25/15				
D646,144	S *	10/2011	Osaki	D8/329				
D652,706	S *	1/2012	Osaki	D8/323				
D676,307	S *	2/2013	Oshima	D8/323				
D676,308	S *	2/2013	Oshima	D8/323				
D684,839	S *	6/2013	Oshima	D8/323				
D700,036	S *	2/2014	Oshima	D8/323				
D718,608	S *	12/2014	Russo	D8/323				
D719,009	S *	12/2014	Russo	D8/323				
D719,010	S *	12/2014	Russo	D8/323				
D719,011	S *	12/2014	Russo	D8/323				
D719,809	S *	12/2014	Mitchell	D8/323				
D719,811	S *	12/2014	Cooper	D8/323				
D725,989	S *	4/2015	Gompper	D8/323				
2003/0093877	A1 *	5/2003	Hofer	E05D 7/0415				
						16/235			
2004/0107542	A1 *	6/2004	Rock	E05D 5/065				
						16/387			
2004/0163211	A1 *	8/2004	Rucker	E05D 7/0415				
						16/235			
2004/0163212	A1 *	8/2004	Isele	E05D 7/0415				
						16/235			
2004/0163213	A1 *	8/2004	Isele	E05D 7/0407				
						16/245			
2007/0284852	A1 *	12/2007	Mater	B60D 1/60				
						280/507			
2014/0082887	A1 *	3/2014	Siekierka	E05D 7/04				
						16/237			
2014/0259526	A1 *	9/2014	Migli	E05D 5/0276				
						16/231			
2015/0191952	A1 *	7/2015	Pyo	E05D 7/0407				
						16/239			
2015/0240543	A1 *	8/2015	Ng	E05D 7/04				
						16/233			

* cited by examiner

FIG. 1

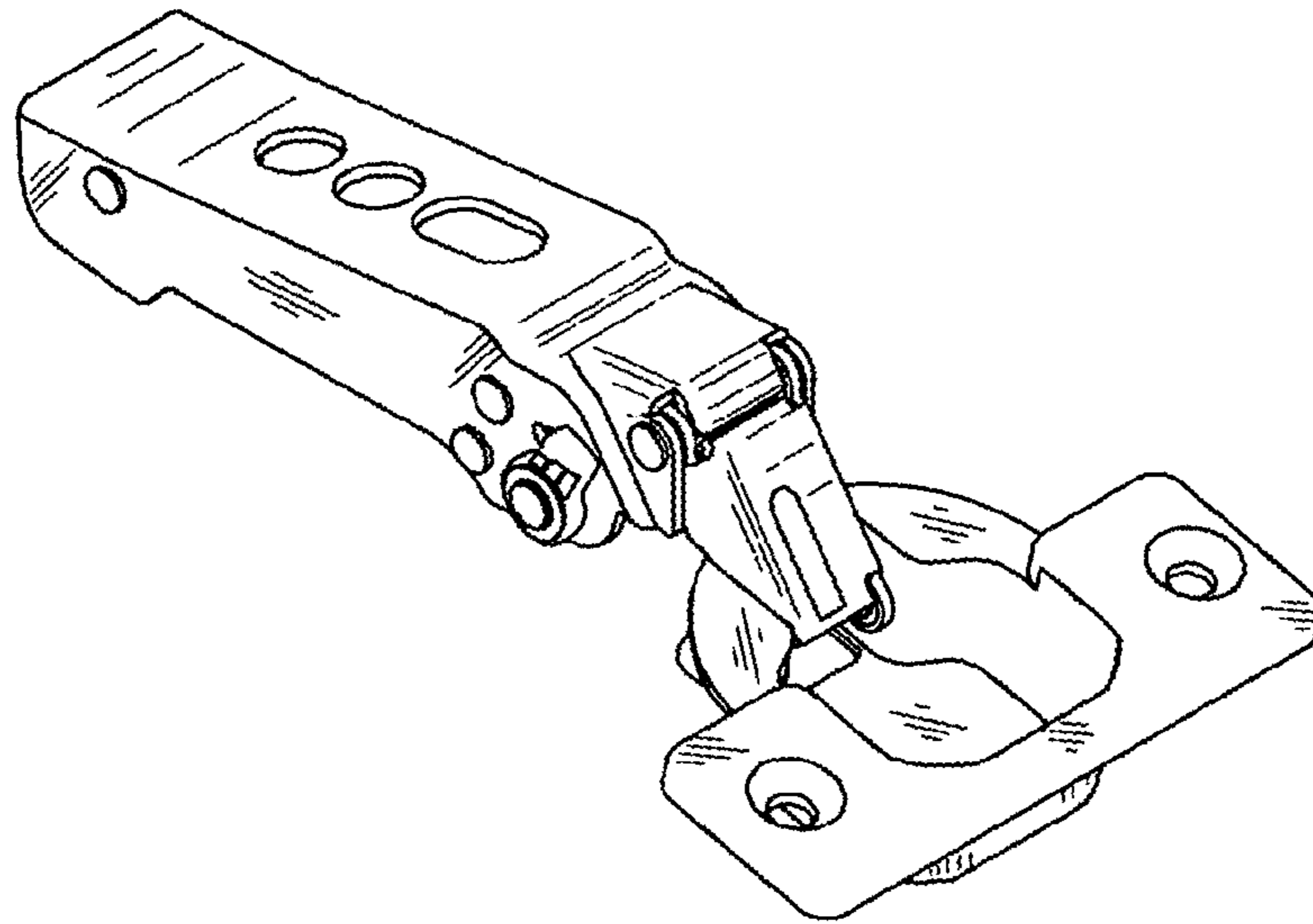


FIG. 2

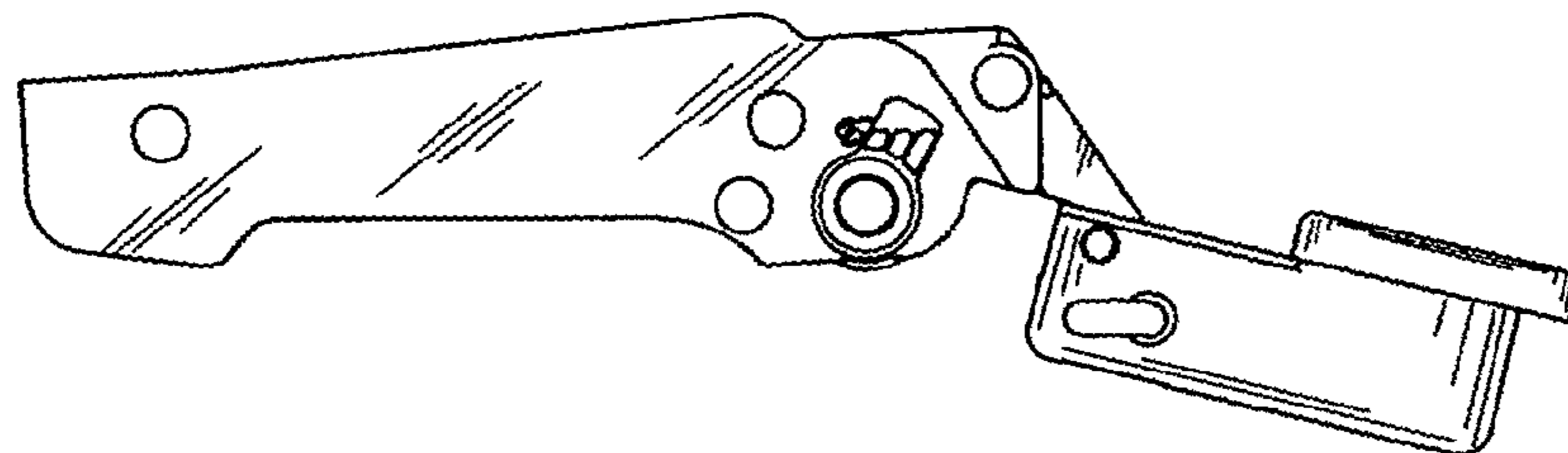


FIG. 3

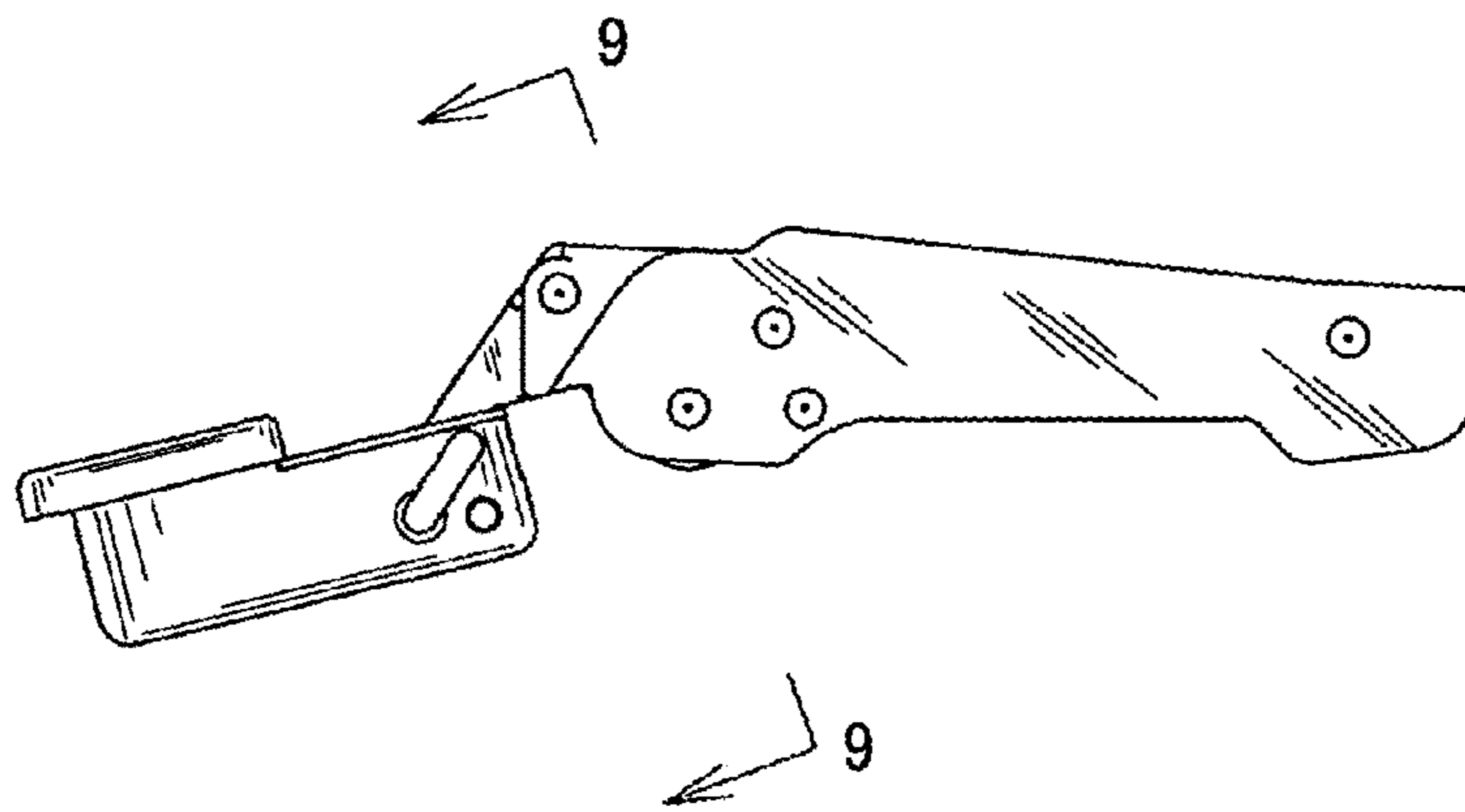


FIG. 4

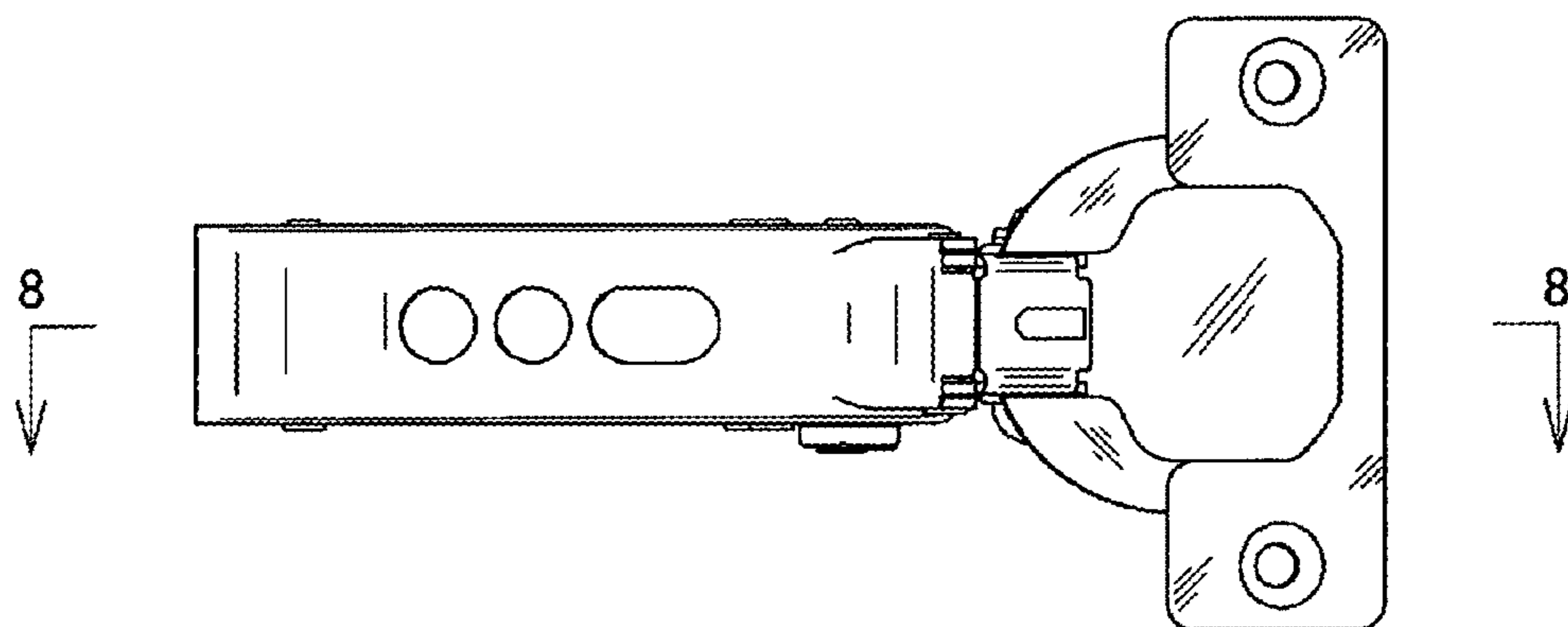


FIG. 5

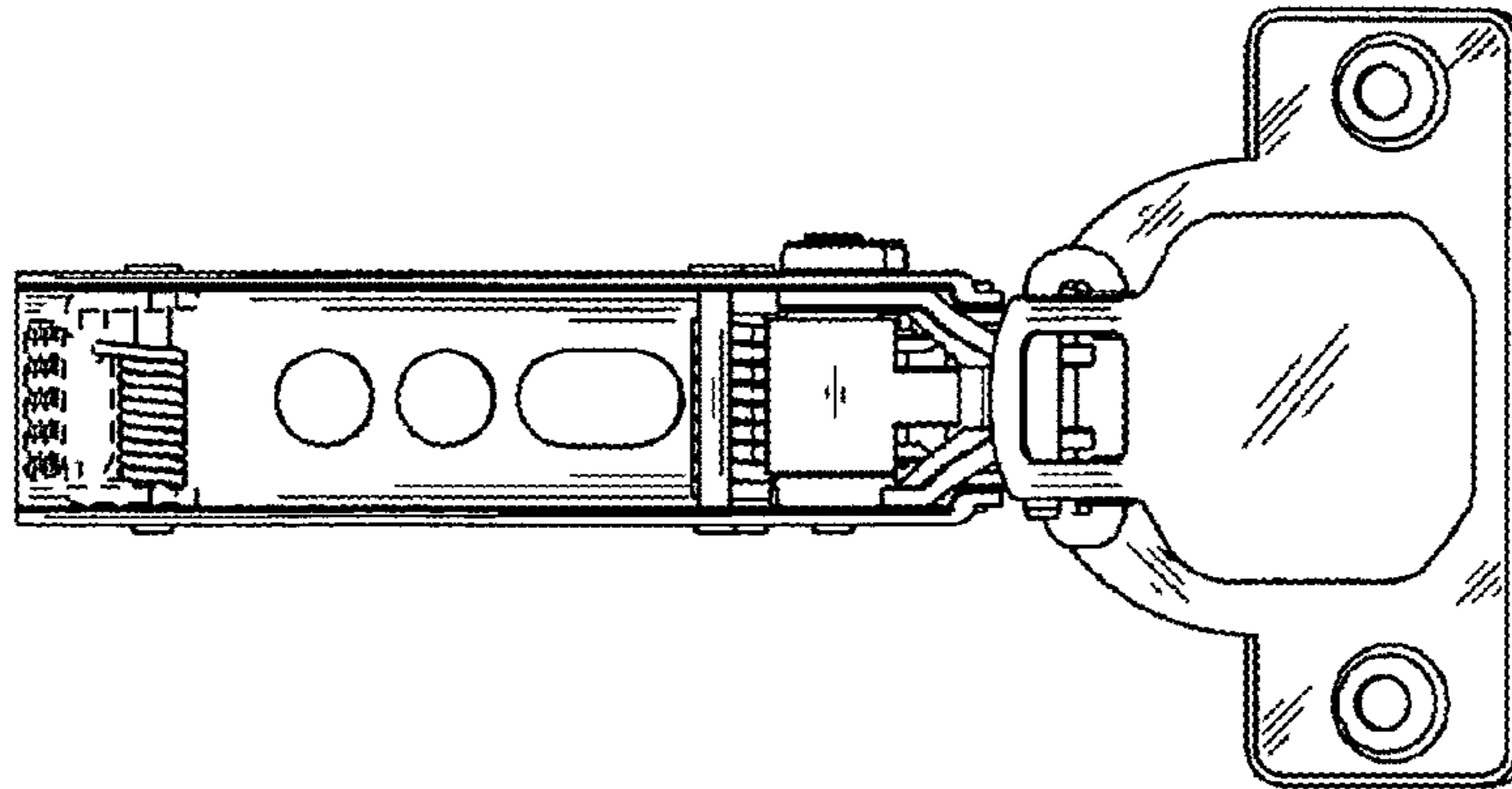


FIG. 6

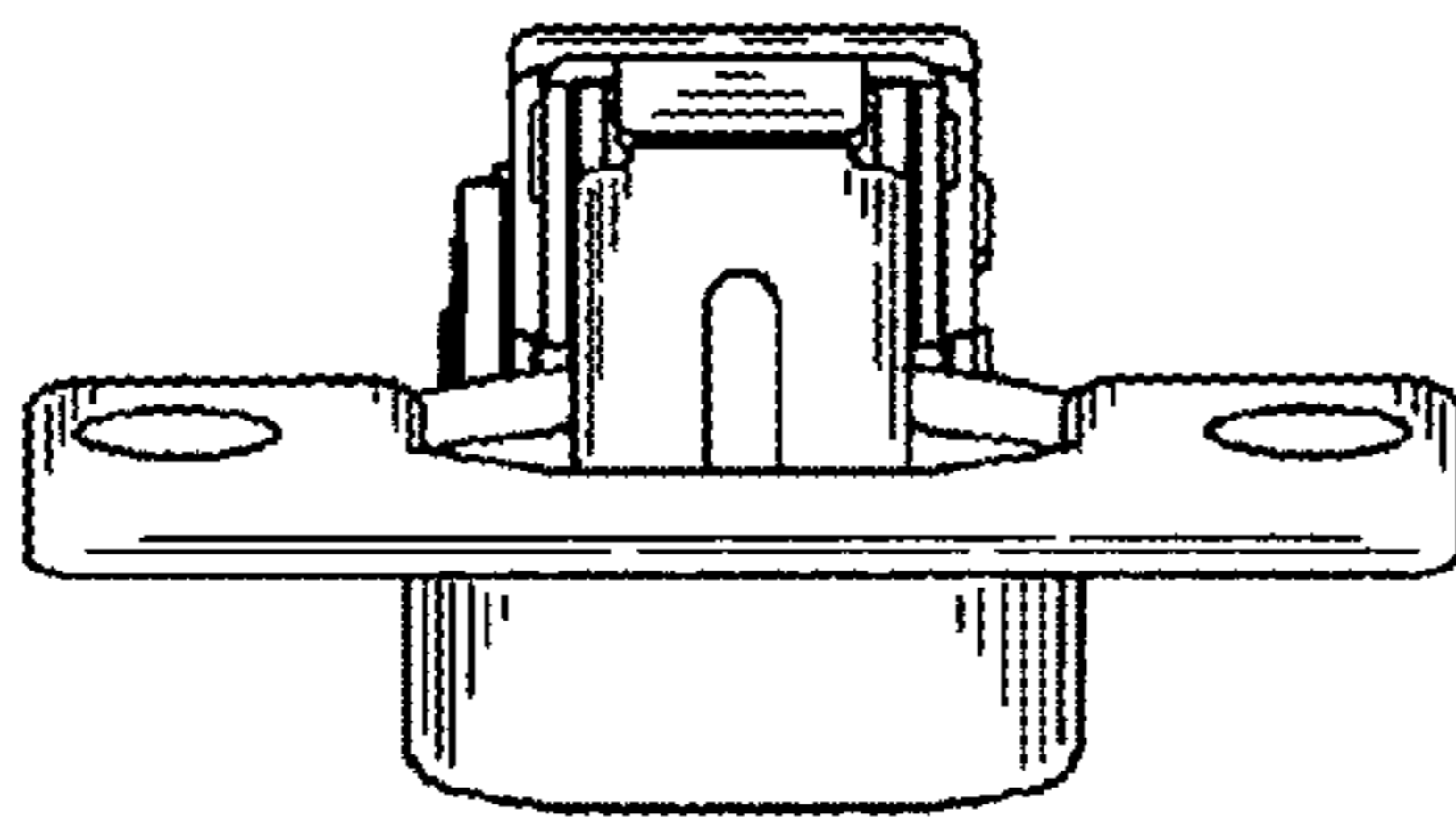


FIG. 7

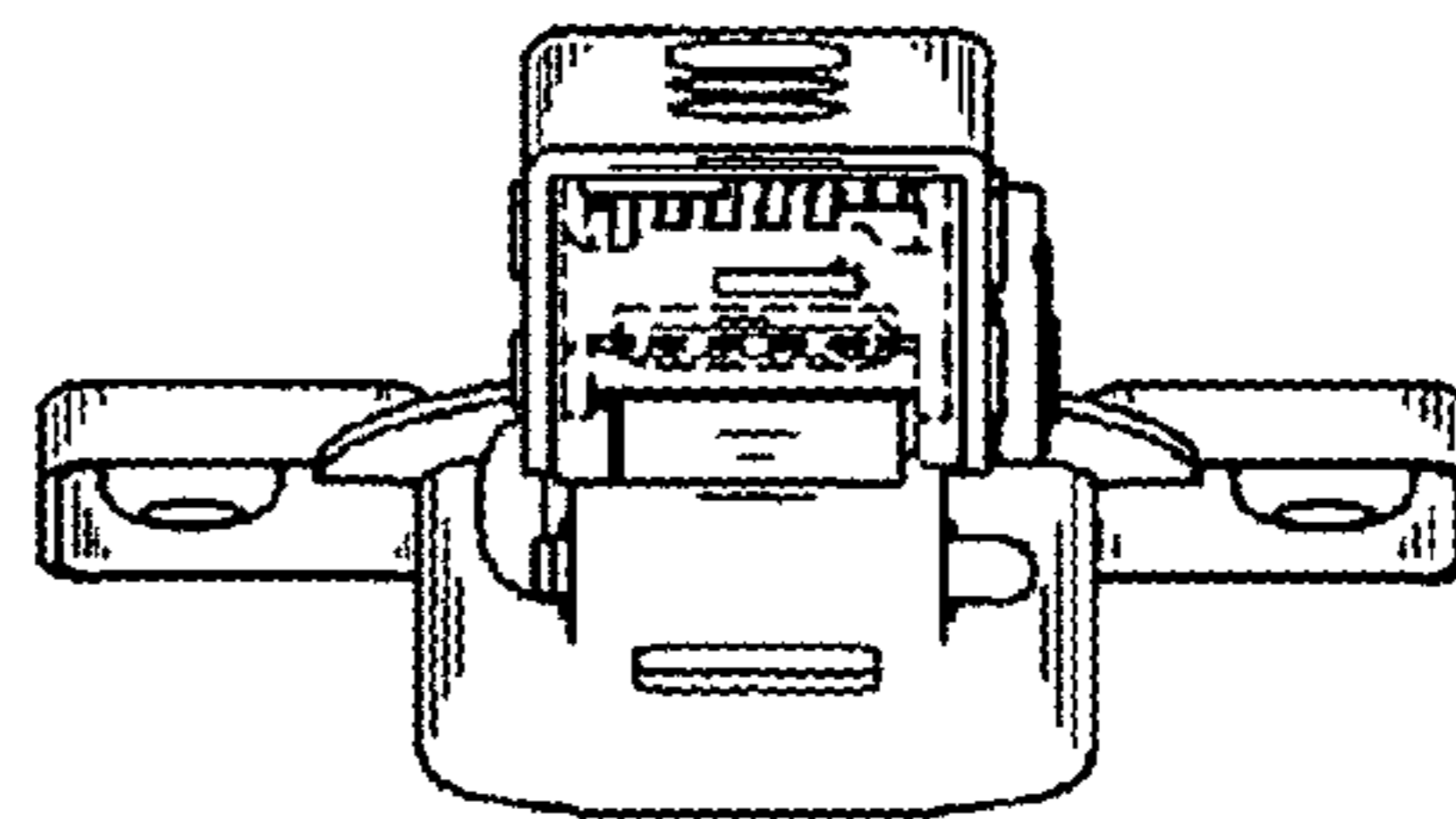


FIG. 8

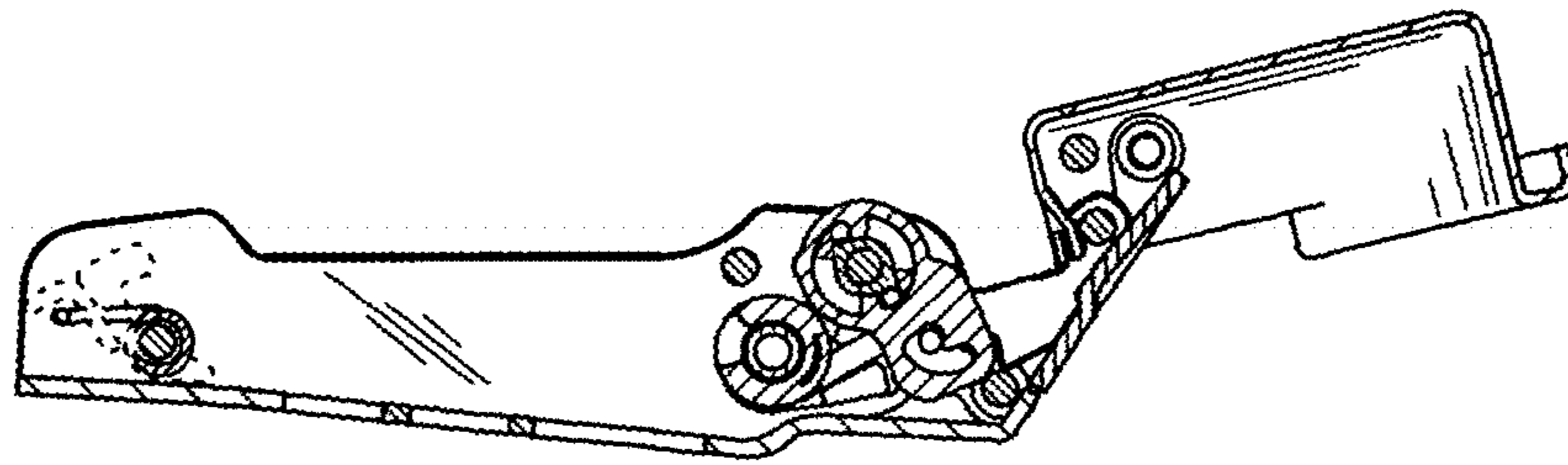


FIG. 9

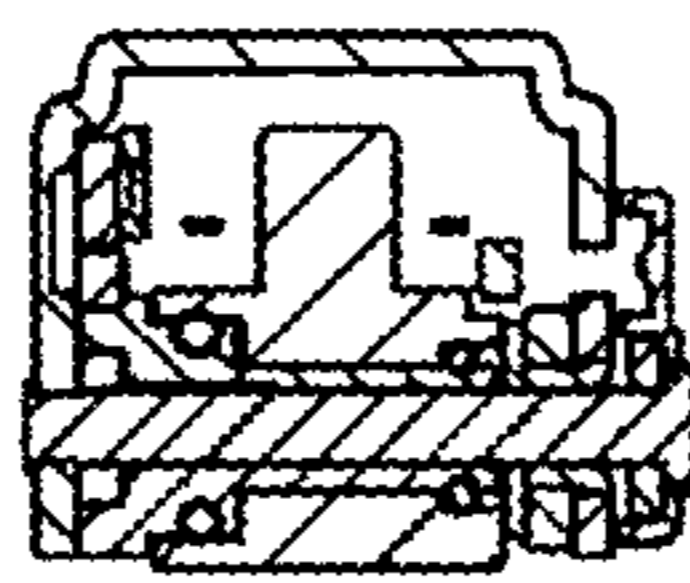


FIG. 10

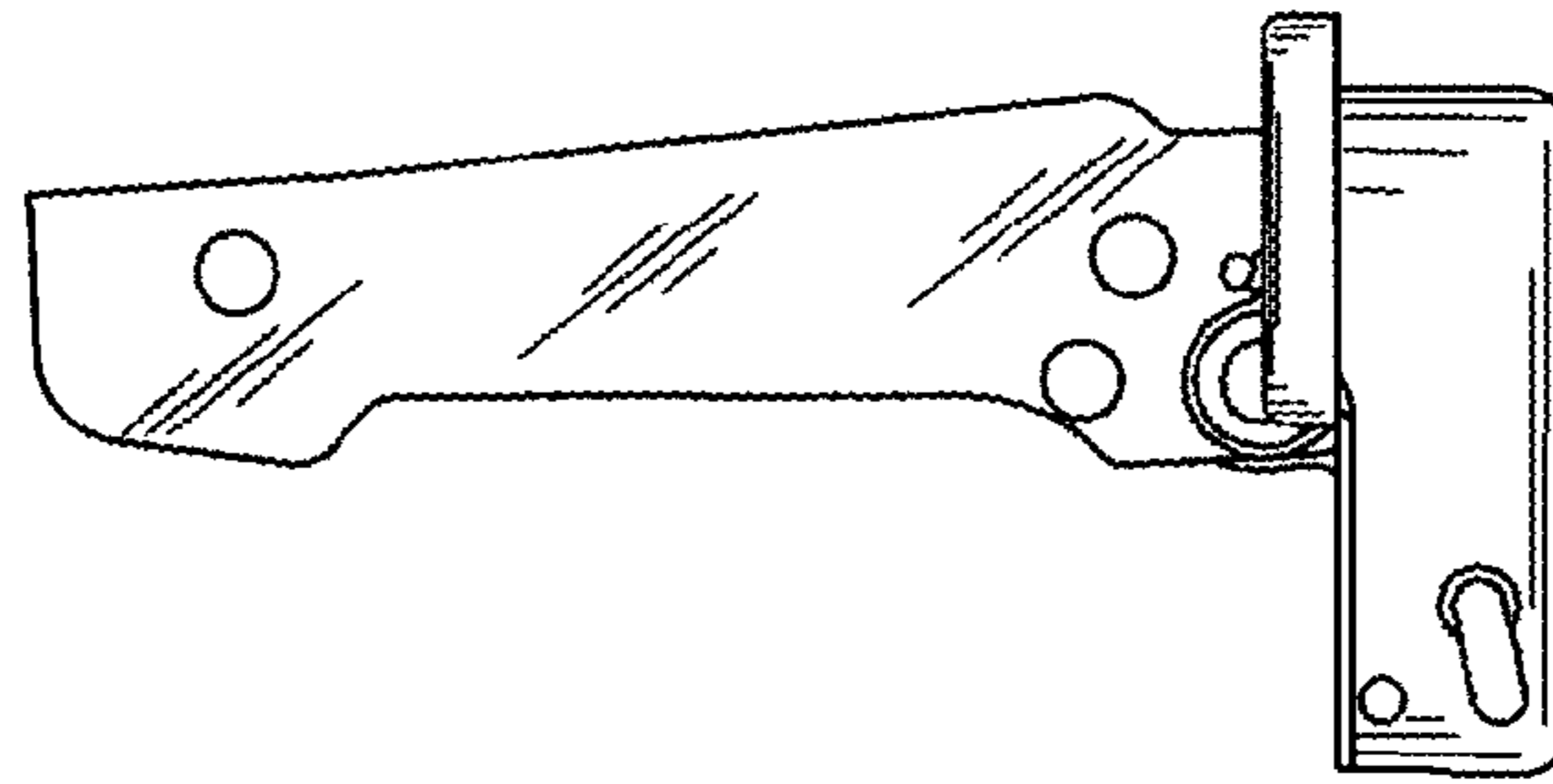


FIG. 11

