



US00D749929S

(12) **United States Design Patent**
Stobar

(10) **Patent No.:** **US D749,929 S**

(45) **Date of Patent:** **** Feb. 23, 2016**

(54) **UTILITY KNIFE HANDLE**

(71) Applicant: **JS Products, Inc.**, Las Vegas, NV (US)

(72) Inventor: **James Stobar**, Las Vegas, NV (US)

(73) Assignee: **JS Products, Inc.**, Las Vegas, NV (US)

(**) Term: **14 Years**

(21) Appl. No.: **29/513,249**

(22) Filed: **Dec. 29, 2014**

(51) **LOC (10) Cl.** **08-03**

(52) **U.S. Cl.**
USPC **D8/99**

(58) **Field of Classification Search**

USPC D8/98, 99, 105, 107

CPC B26B 5/001; B26B 5/003; B26B 11/00;
B26B 1/08; B26B 5/006

See application file for complete search history.

(56) **References Cited**

U.S. PATENT DOCUMENTS

2,134,973 A 11/1938 Harwell
2,265,775 A 12/1941 McNamara

(Continued)

OTHER PUBLICATIONS

Amazon.com. Snap-on 870521 Utility Knife with Aluminum Handles, 2-Piece. 1 pg, undated.

(Continued)

Primary Examiner — Phillip S Hyder

(74) *Attorney, Agent, or Firm* — Weide & Miller, Ltd.

(57) **CLAIM**

The ornamental design for a utility knife handle, as shown and described.

DESCRIPTION

FIG. 1 is a front isometric view of a utility knife handle embodying my new design;

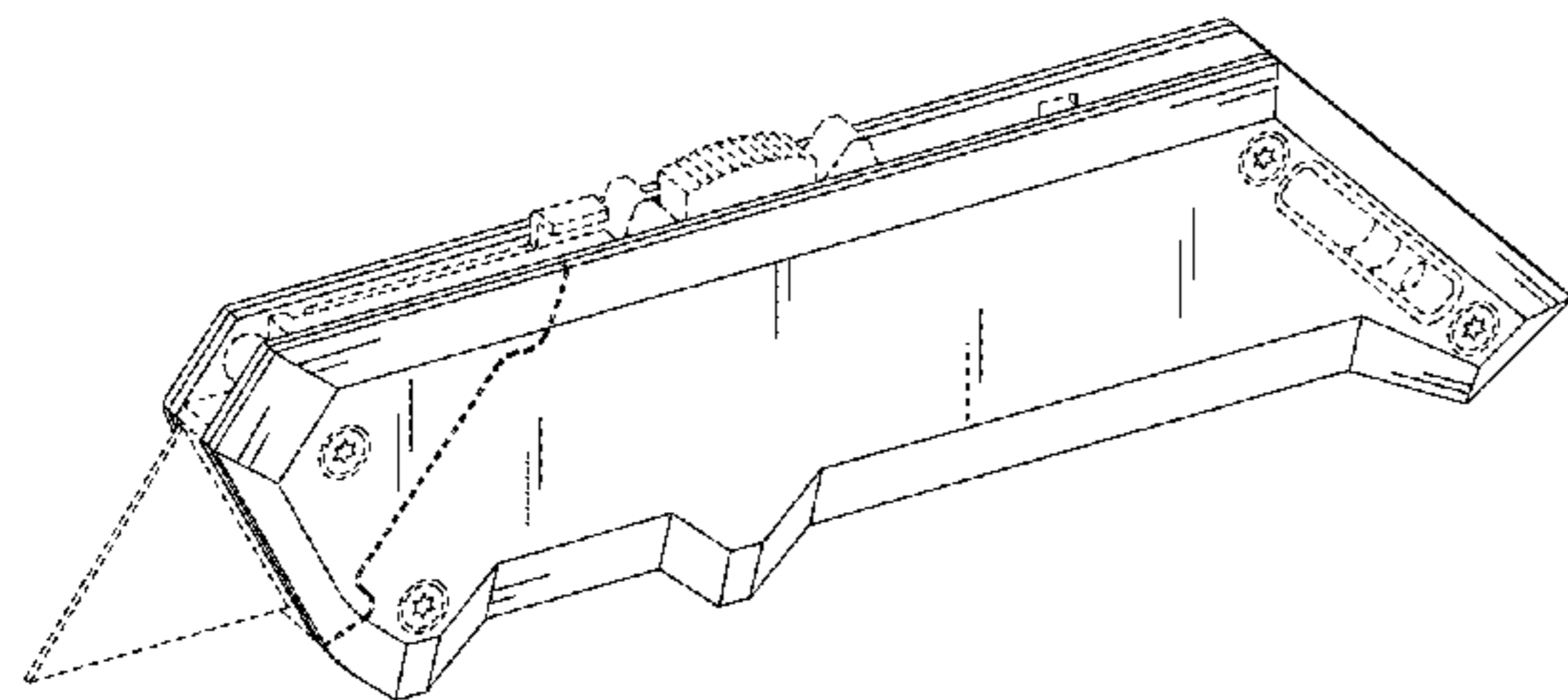


FIG. 2 is a rear isometric view of the utility knife handle of FIG. 1;

FIG. 3 is a top plan view of the utility knife handle of FIG. 1; FIG. 4 is a front elevation view of the utility knife handle of FIG. 1;

FIG. 5 is a bottom plan view of the utility knife handle of FIG. 1;

FIG. 6 is a rear elevation view of the utility knife handle of FIG. 1;

FIG. 7 is a left side elevation view of the utility knife handle of FIG. 6

FIG. 8 is a right side elevation view of the utility knife handle of FIG. 6

FIG. 9 is a top plan view of a second embodiment of the utility knife handle of the present invention, the utility knife handle being the same as the first embodiment except that it includes features on the front surface thereof;

FIG. 10 is a front elevation view of the utility knife handle of FIG. 9;

FIG. 11 is a top plan view of a third embodiment of the utility knife handle of the present invention, the utility knife handle being the same as the first embodiment except that it includes features on the front surface thereof;

FIG. 12 is a front elevation view of the utility knife handle of FIG. 11;

FIG. 13 is a top plan view of a fourth embodiment of the utility knife handle of the present invention, the utility knife handle being the same as the first embodiment except that it includes features on the front surface thereof;

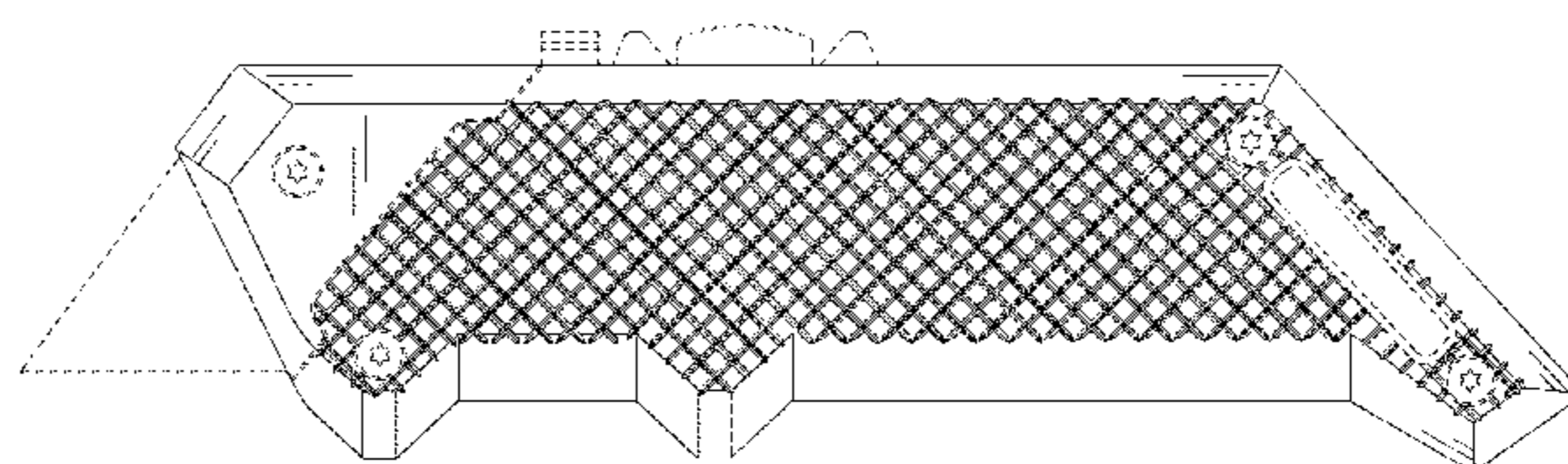
FIG. 14 is a front elevation view of the utility knife handle of FIG. 13;

FIG. 15 is a top plan view of a fifth embodiment of the utility knife handle of the present invention, the utility knife handle being the same as the first embodiment except that it includes features on the front surface thereof; and,

FIG. 16 is a front elevation view of the utility knife handle of FIG. 15.

The broken lines depict portions of the utility knife handle in which the design is embodied that are not considered part of the claimed design.

1 Claim, 7 Drawing Sheets



(56)

References Cited

U.S. PATENT DOCUMENTS

2,784,489 A 3/1957 Reise
 2,980,996 A 4/1961 Beran
 3,192,624 A 7/1965 Gringer
 3,577,637 A 5/1971 Braginetz
 3,660,896 A 5/1972 Umholtz
 3,845,554 A 11/1974 Joanis et al.
 4,017,969 A 4/1977 Stonebraker
 4,347,665 A 9/1982 Glesser
 D305,096 S * 12/1989 Tench D8/107
 4,936,014 A 6/1990 Shaanan et al.
 5,111,581 A 5/1992 Collins
 5,303,469 A 4/1994 Yin-Han
 D348,383 S * 7/1994 Perkins D8/99
 D386,381 S * 11/1997 Black D8/95
 5,815,927 A 10/1998 Collins
 D400,774 S * 11/1998 Ghavami D8/99
 6,026,575 A 2/2000 Wonderley
 6,079,106 A 6/2000 Vallotton
 6,145,202 A 11/2000 Onion
 6,263,581 B1 7/2001 Forte
 6,354,007 B1 3/2002 Scarla
 6,397,476 B1 6/2002 Onion
 6,397,477 B1 6/2002 Collins
 D478,800 S * 8/2003 Adams D8/99
 6,684,510 B1 2/2004 Collins
 6,688,003 B2 2/2004 Scarla
 D494,437 S 8/2004 Scarla
 D495,228 S 8/2004 Scarla
 D501,782 S 2/2005 Ping
 6,915,577 B2 7/2005 Scala
 6,951,055 B1 10/2005 Collins
 6,968,622 B2 11/2005 Ping
 7,007,392 B2 3/2006 Ping
 D519,817 S 5/2006 Wong
 7,040,022 B2 5/2006 Ping
 D526,877 S 8/2006 Ping
 D526,878 S 8/2006 Ping
 7,134,207 B2 11/2006 Ping
 D535,171 S 1/2007 Ping
 D543,822 S 6/2007 Ping

7,246,441 B1 7/2007 Collins
 7,278,213 B2 10/2007 Pardue et al.
 7,284,329 B1 10/2007 King
 7,296,354 B2 11/2007 Van Deursen et al.
 7,296,355 B2 11/2007 Onion
 7,337,546 B2 3/2008 Cheng
 D568,136 S 5/2008 Ping
 7,395,599 B2 7/2008 Onion
 D579,299 S * 10/2008 Ping D8/99
 7,506,446 B2 3/2009 Onion
 D591,135 S * 4/2009 Wu D8/99
 7,520,059 B2 4/2009 Ranieri et al.
 7,543,386 B2 6/2009 Sullivan
 7,694,421 B2 4/2010 Lin
 7,774,939 B1 8/2010 Onion
 7,797,836 B2 9/2010 Ranieri et al.
 7,814,664 B2 10/2010 LeBlanc et al.
 7,913,397 B2 3/2011 Van Deursen
 7,979,990 B2 7/2011 Hawk et al.
 8,006,389 B2 8/2011 Jennings et al.
 8,074,362 B2 12/2011 Gui et al.
 8,127,452 B2 * 3/2012 Garavaglia B26B 29/02
 30/151
 8,201,336 B2 * 6/2012 De B26B 5/001
 30/162
 8,291,597 B2 10/2012 Hawk et al.
 8,359,753 B1 1/2013 Frazer
 8,443,522 B2 5/2013 Jennings et al.
 8,511,208 B1 8/2013 Frazer
 2004/0103541 A1 6/2004 Scarla
 2005/0055833 A1 3/2005 Scarla

OTHER PUBLICATIONS

Amazon.com. Gerber 31-000666 Superknife SK Edge, Aluminum, Black. 1 pg, undated.
 Amazon.com. Sheffield 12331 Heavy Duty Lock-back Utility Knife. 1 pg, undated.
 Amazon.com. Milwaukee 48-22-1901 Fastback Flip Open Utility Knife. 1 pg, undated.
 Amazon.com. Fiskars 12-6550 7797 Flip Utility Knife. 1 pg, undated.

* cited by examiner

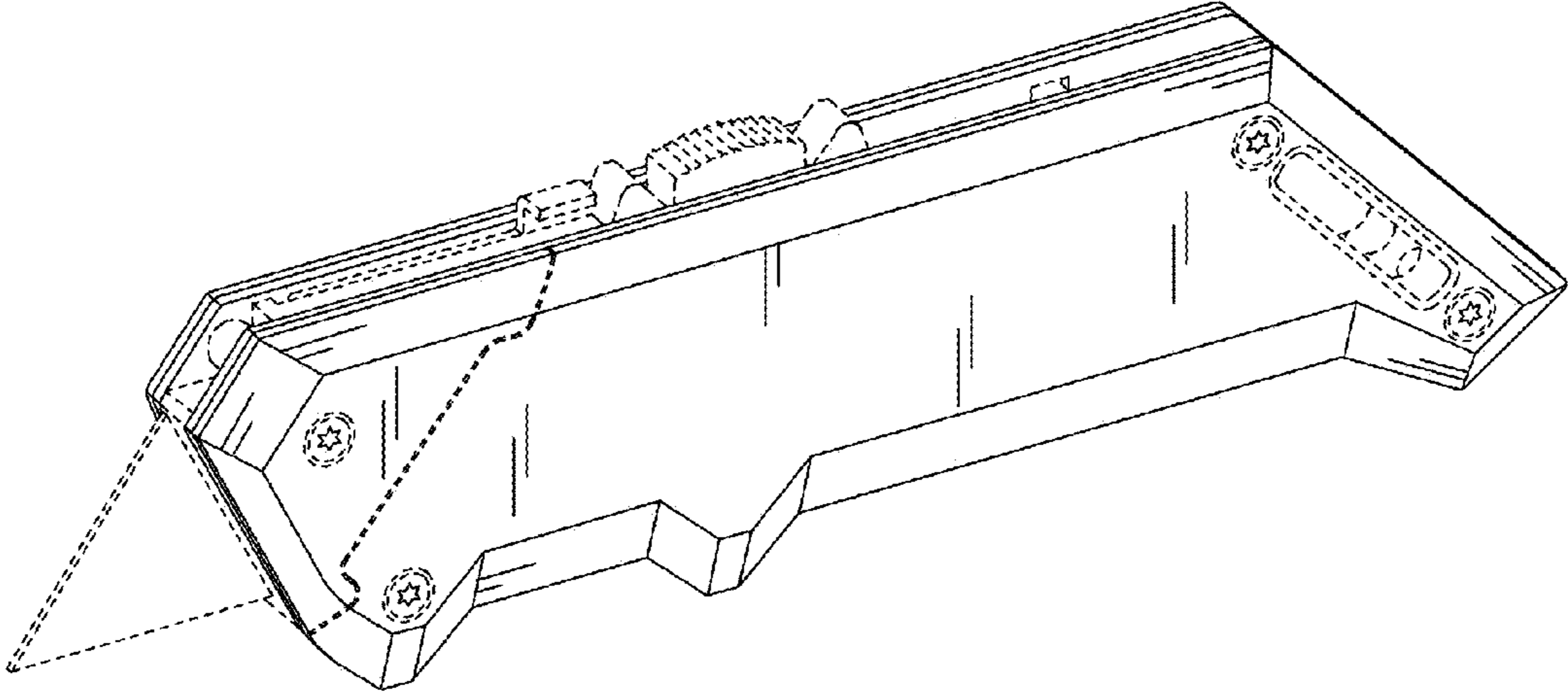


FIG. 1

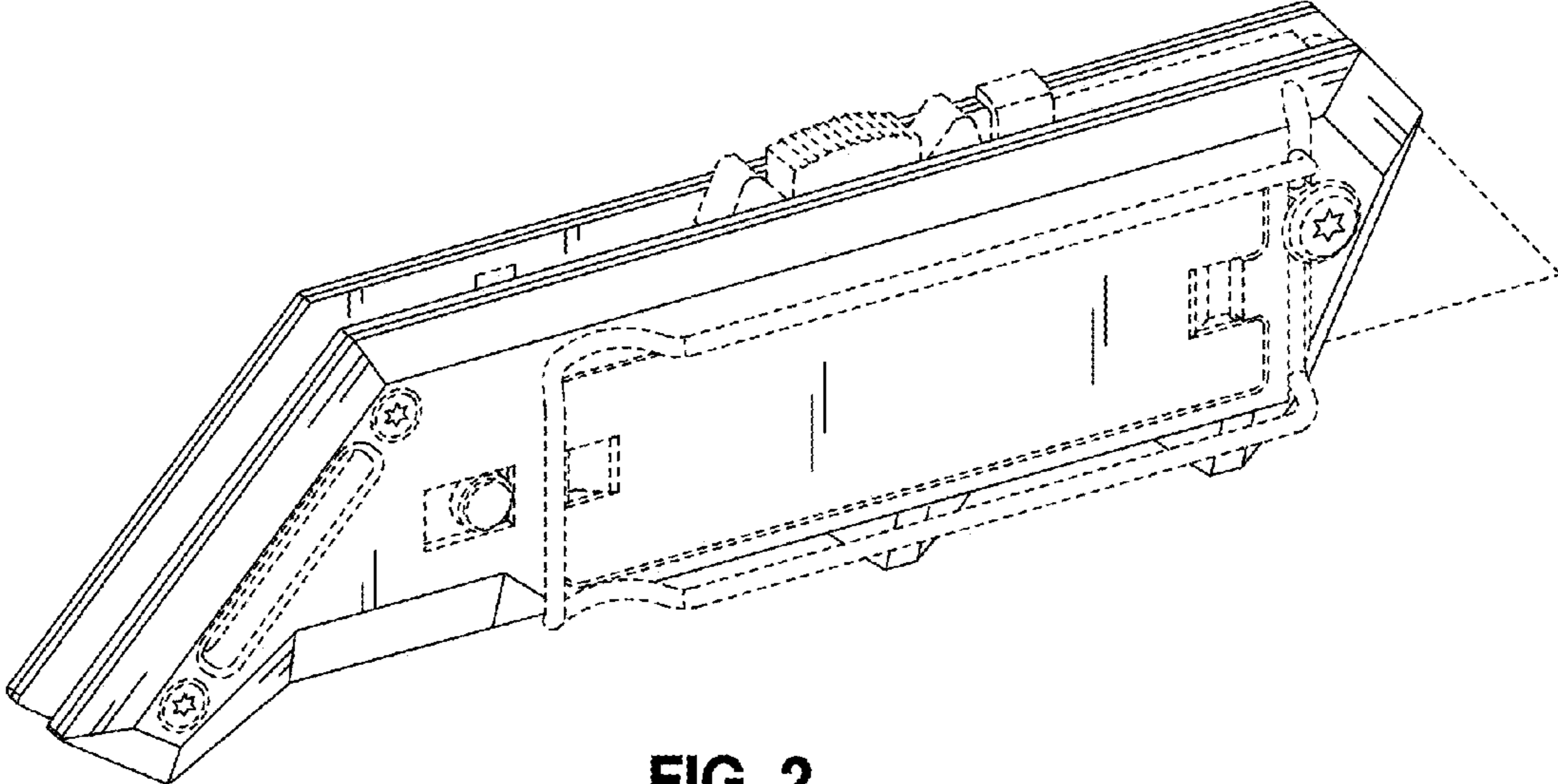


FIG. 2

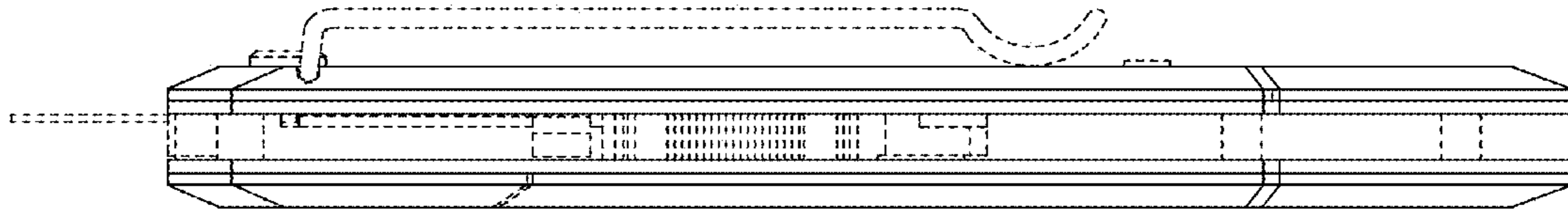


FIG. 3

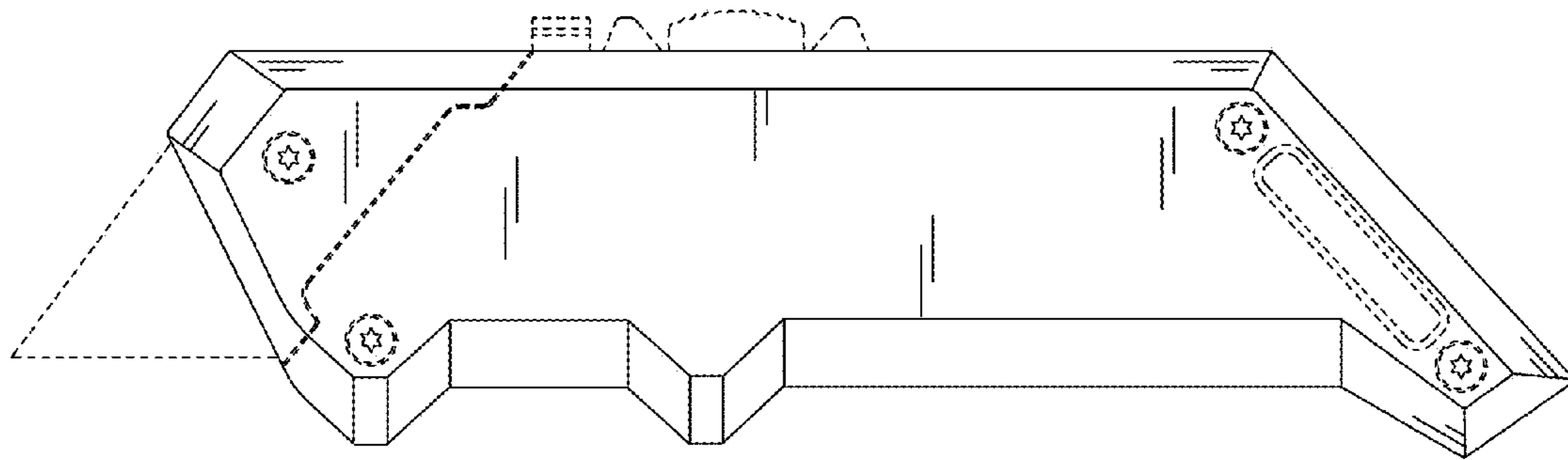


FIG. 4

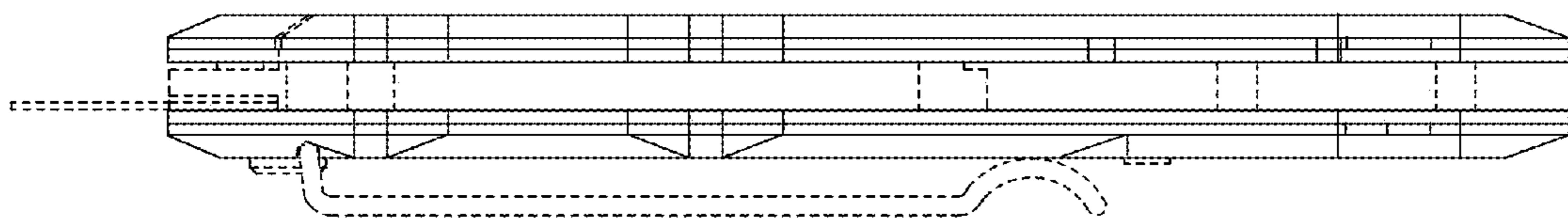


FIG. 5

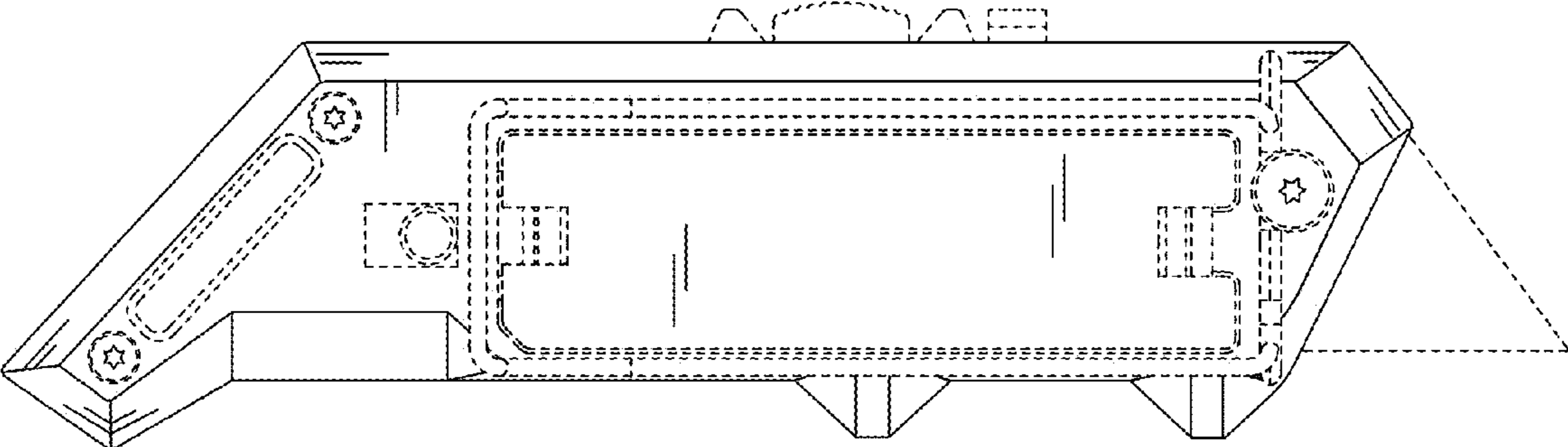


FIG. 6

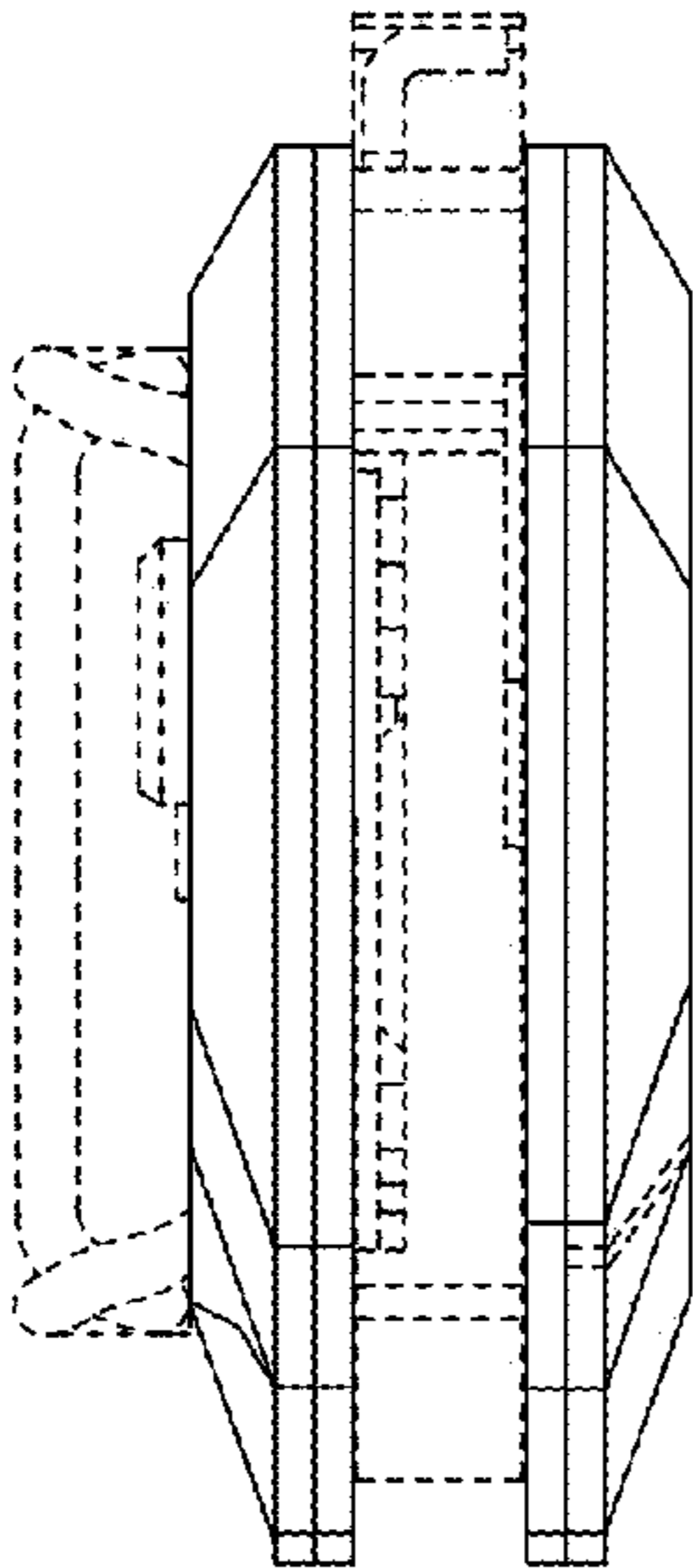


FIG. 7

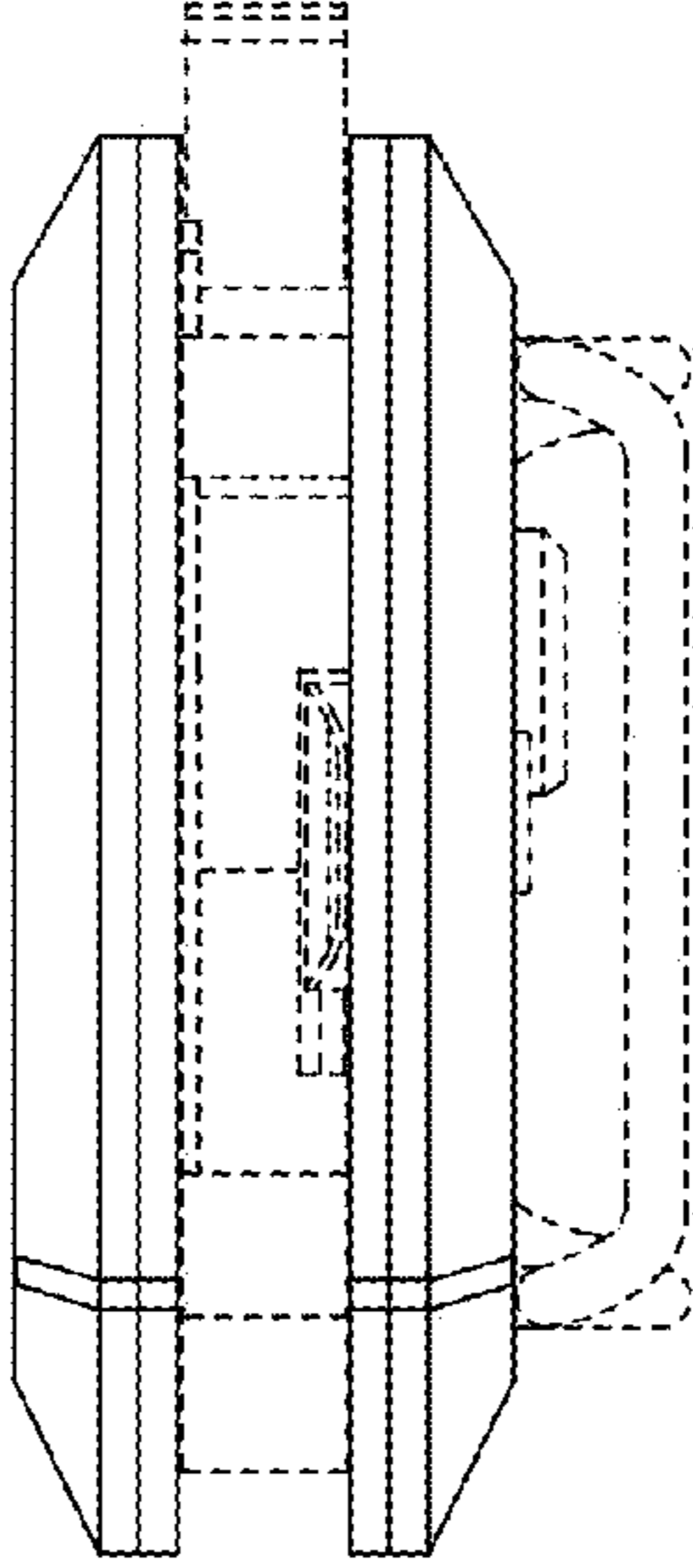


FIG. 8

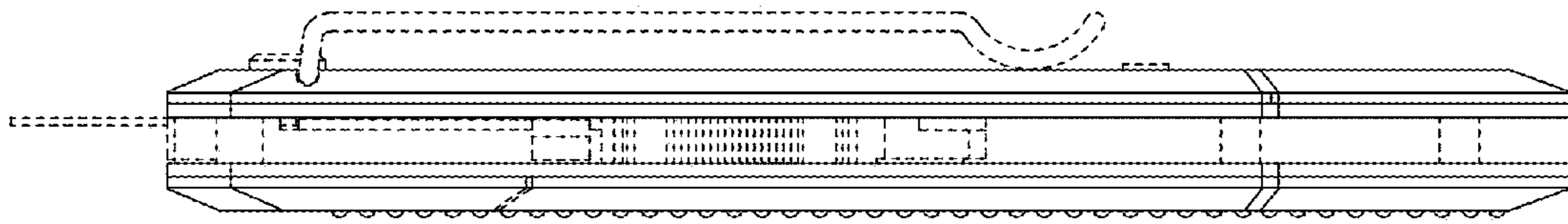


FIG. 9

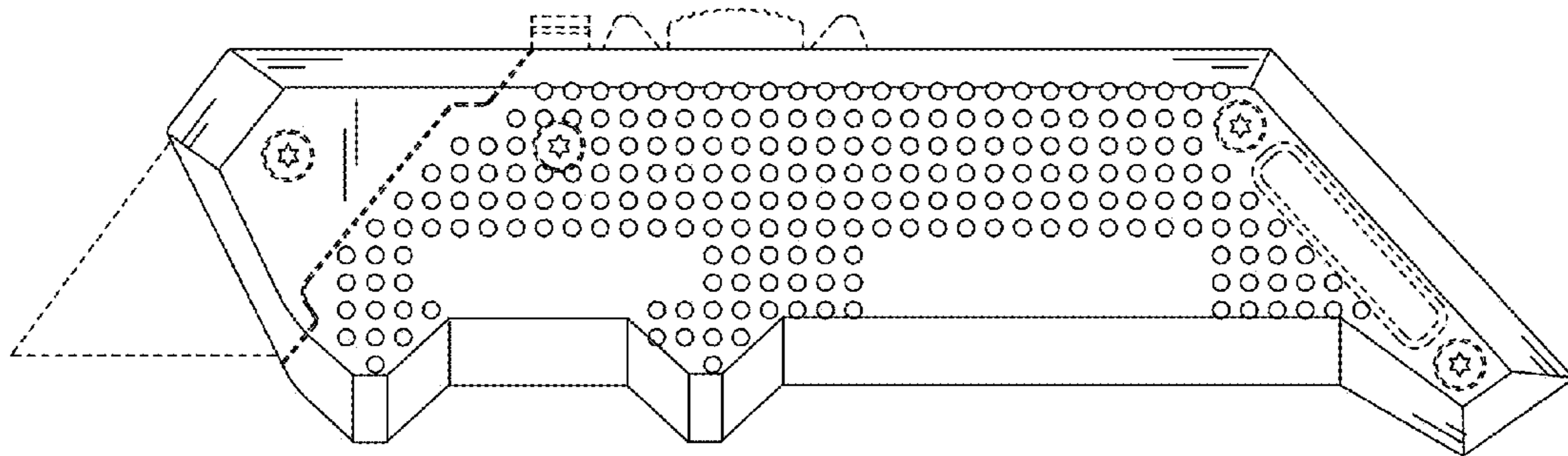


FIG. 10

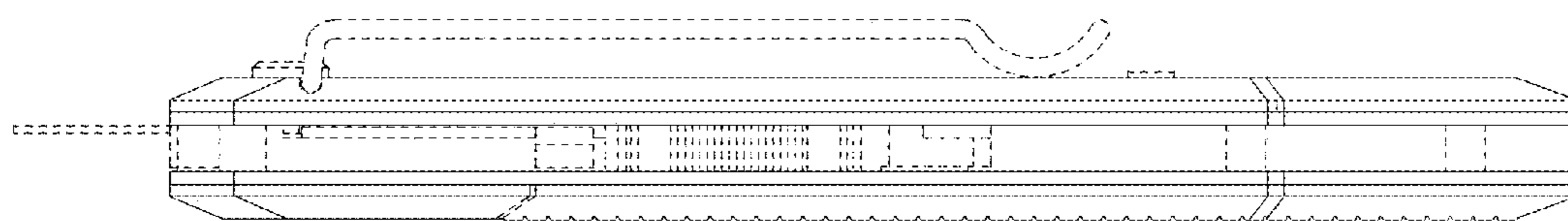


FIG. 11

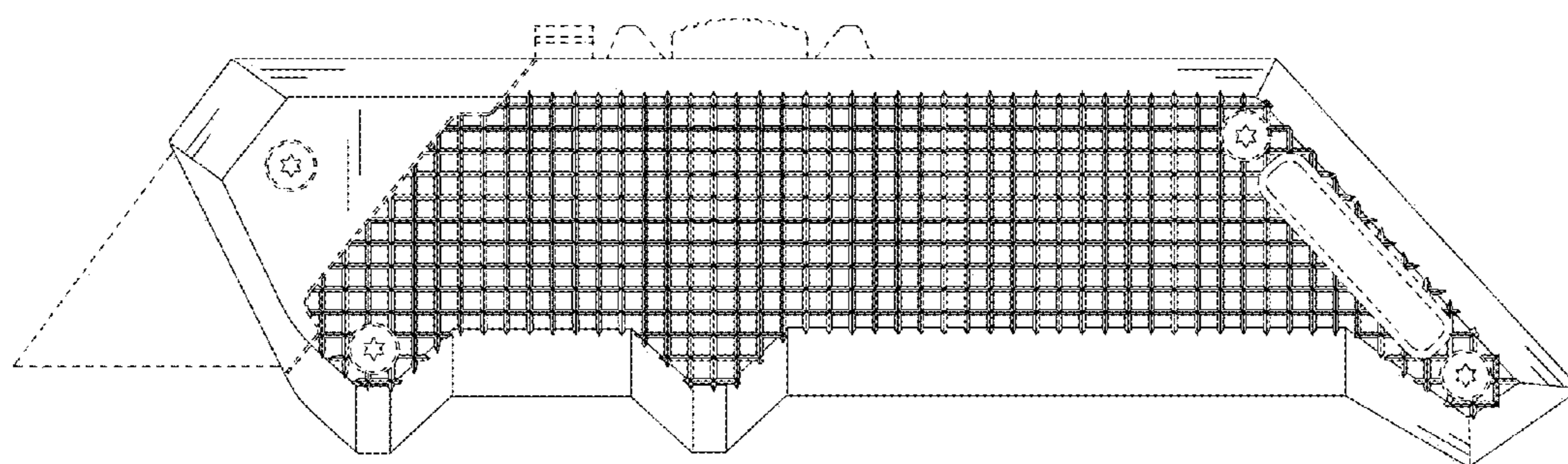


FIG. 12

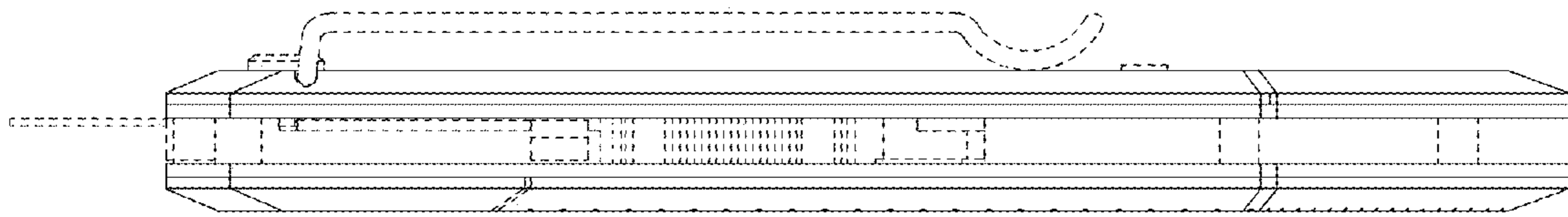


FIG. 13

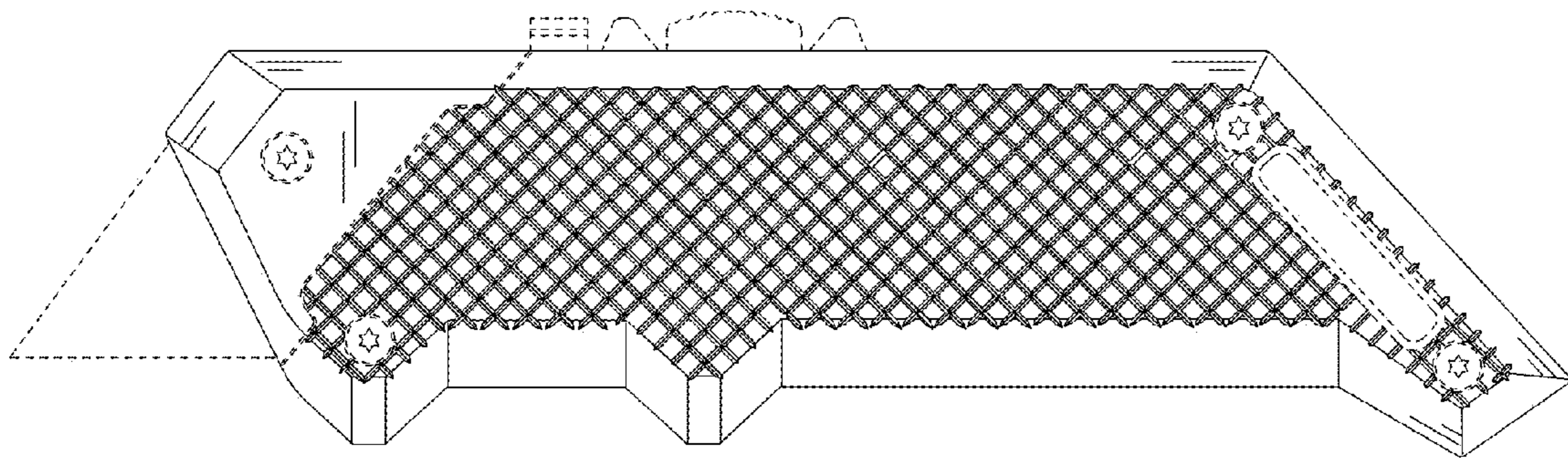


FIG. 14

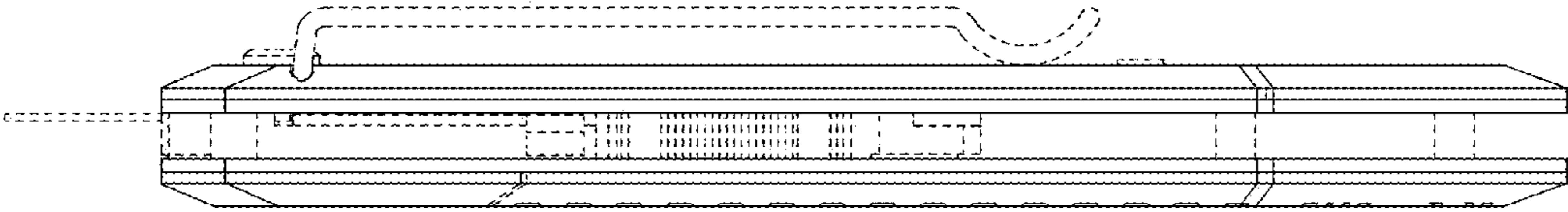


FIG. 15

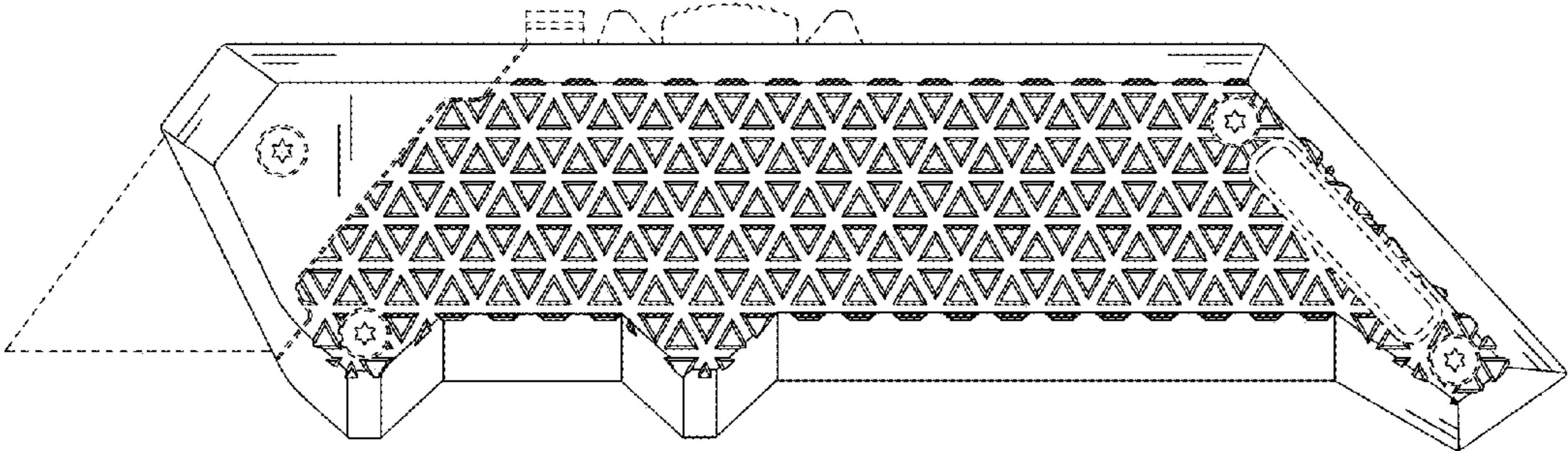


FIG. 16