



US00D749928S

(12) **United States Design Patent**
Stobar

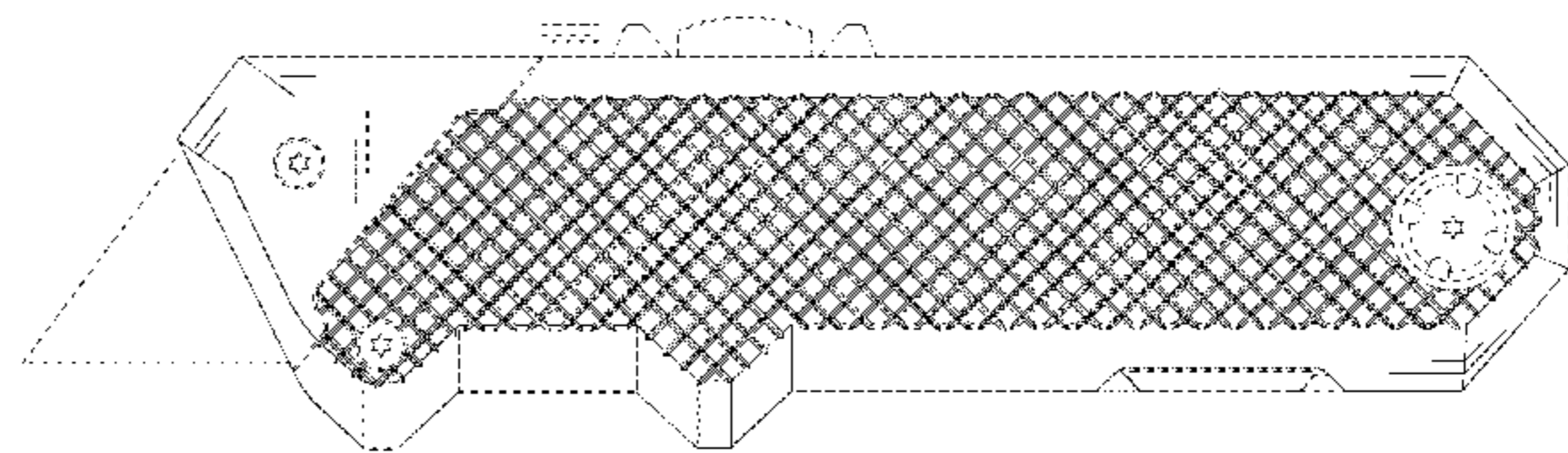
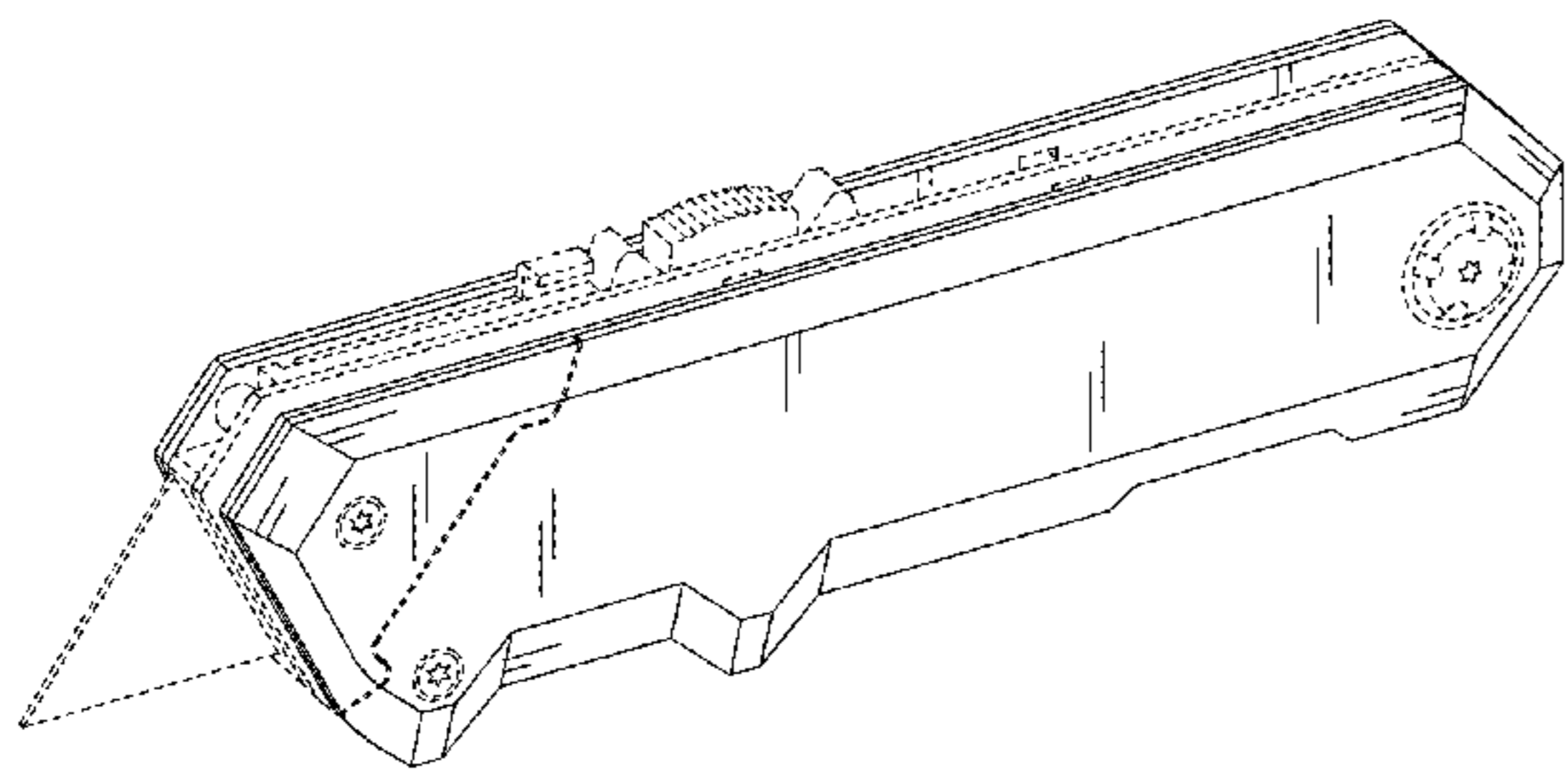
(10) **Patent No.:** **US D749,928 S**
(45) **Date of Patent:** **** Feb. 23, 2016**

- (54) **UTILITY KNIFE HANDLE**
- (71) Applicant: **JS Products, Inc.**, Las Vegas, NV (US)
- (72) Inventor: **James Stobar**, Las Vegas, NV (US)
- (73) Assignee: **JS Products, Inc.**, Las Vegas, NV (US)
- (**) Term: **14 Years**
- (21) Appl. No.: **29/513,241**
- (22) Filed: **Dec. 29, 2014**
- (51) **LOC (10) Cl.** **08-03**
- (52) **U.S. Cl.**
USPC **D8/99**
- (58) **Field of Classification Search**
USPC D8/98, 99, 105, 107
CPC B26B 5/00; B26B 5/001; B26B 5/002;
B26B 5/003; B26B 5/006; B26B 1/08; B26B
1/00
See application file for complete search history.

6,263,581	B1	7/2001	Forte	
6,354,007	B1	3/2002	Scarla	
6,397,476	B1	6/2002	Onion	
6,397,477	B1	6/2002	Collins	
D478,800	S *	8/2003	Adams D8/99
6,684,510	B1	2/2004	Collins	
6,688,003	B2	2/2004	Scarla	
D494,437	S	8/2004	Scarla	
D495,228	S	8/2004	Scarla	
D501,782	S	2/2005	Ping	
6,915,577	B2	7/2005	Scala	
6,951,055	B1	10/2005	Collins	
6,968,622	B2	11/2005	Ping	
7,007,392	B2	3/2006	Ping	
D519,817	S	5/2006	Wong	
7,040,022	B2	5/2006	Ping	
D526,877	S	8/2006	Ping	
D526,878	S	8/2006	Ping	
7,134,207	B2	11/2006	Ping	
D535,171	S	1/2007	Ping	
D543,822	S	6/2007	Ping	
7,246,441	B1	7/2007	Collins	
7,278,213	B2	10/2007	Pardue et al.	
7,284,329	B1	10/2007	King	
7,296,354	B2	11/2007	Van Deursen et al.	
7,296,355	B2	11/2007	Onion	
7,337,546	B2	3/2008	Cheng	
D568,136	S	5/2008	Ping	
7,395,599	B2	7/2008	Onion	
D579,299	S *	10/2008	Ping D8/99
7,506,446	B2	3/2009	Onion	
D591,135	S *	4/2009	Wu D8/99
7,520,059	B2	4/2009	Ranieri et al.	
7,543,386	B2	6/2009	Sullivan	
7,694,421	B2	4/2010	Lin	
7,774,939	B1	8/2010	Onion	
7,797,836	B2	9/2010	Ranieri et al.	
7,814,664	B2	10/2010	LeBlanc et al.	
7,913,397	B2	3/2011	Van Deursen	
7,979,990	B2	7/2011	Hawk et al.	
8,006,389	B2	8/2011	Jennings et al.	
8,074,362	B2	12/2011	Gui et al.	
8,127,452	B2 *	3/2012	Garavaglia B26B 29/02 30/151
8,201,336	B2 *	6/2012	De B26B 5/001 30/162
8,291,597	B2	10/2012	Hawk et al.	
8,359,753	B1	1/2013	Frazer	
8,443,522	B2	5/2013	Jennings et al.	

(56) **References Cited**
U.S. PATENT DOCUMENTS

2,134,973	A	11/1938	Harwell	
2,265,775	A	12/1941	McNamara	
2,784,489	A	3/1957	Reise	
2,980,996	A	4/1961	Beran	
3,192,624	A	7/1965	Gringer	
3,577,637	A	5/1971	Braginetz	
3,660,896	A	5/1972	Umholtz	
3,845,554	A	11/1974	Joanis et al.	
4,017,969	A	4/1977	Stonebraker	
4,347,665	A	9/1982	Glesser	
D305,096	S *	12/1989	Tench D8/107
4,936,014	A	6/1990	Shaanan et al.	
5,111,581	A	5/1992	Collins	
5,303,469	A	4/1994	Yin-Han	
D348,383	S *	7/1994	Perkins D8/99
D386,381	S *	11/1997	Black D8/95
5,815,927	A	10/1998	Collins	
D400,774	S *	11/1998	Ghavami D8/99
6,026,575	A	2/2000	Wonderley	
6,079,106	A	6/2000	Vallotton	
6,145,202	A	11/2000	Onion	



8,511,208 B1 8/2013 Frazer
2004/0103541 A1 6/2004 Scarla
2005/0055833 A1 3/2005 Scarla

OTHER PUBLICATIONS

Amazon.com. Snap-on 870521 Utility Knife with Aluminum Handles, 2-Piece. 1 pg, undated.
Amazon.com. Gerber 31-000666 Superknife SK Edge, Aluminum, Black. 1 pg, undated.
Amazon.com. Sheffield 12331 Heavy Duty Lock-back Utility Knife. 1 pg, undated.
Amazon.com. Milwaukee 48-22-1901 Fastback Flip Open Utility Knife. 1 pg, undated.
Amazon.com. Fiskars 12-6550 7797 Flip Utility Knife. 1 pg, undated.

* cited by examiner

Primary Examiner — Phillip S Hyder
(74) *Attorney, Agent, or Firm* — Weide & Miller, Ltd.

(57) **CLAIM**
The ornamental design for a utility knife handle, as shown and described.

DESCRIPTION

FIG. 1 is a front isometric view of a utility knife handle embodying my new design;
FIG. 2 is a rear isometric view of the utility knife handle of FIG. 1;
FIG. 3 is a top plan view of the utility knife handle of FIG. 1;
FIG. 4 is a front elevation view of the utility knife handle of FIG. 1;
FIG. 5 is a bottom plan view of the utility knife handle of FIG. 1;
FIG. 6 is a rear elevation view of the utility knife handle of FIG. 1;
FIG. 7 is a left side elevation view of the utility knife handle of FIG. 6
FIG. 8 is a right side elevation view of the utility knife handle of FIG. 6
FIG. 9 is a top plan view of a second embodiment of the utility knife handle of the present invention, the utility knife handle

being the same as the first embodiment except that it includes features on the front surface thereof;
FIG. 10 is a front elevation view of the utility knife handle of FIG. 9;
FIG. 11 is a top plan view of a third embodiment of the utility knife handle of the present invention, the utility knife handle being the same as the first embodiment except that it includes features on the front surface thereof;
FIG. 12 is a front elevation view of the utility knife handle of FIG. 11;
FIG. 13 is a top plan view of a fourth embodiment of the utility knife handle of the present invention, the utility knife handle being the same as the first embodiment except that it includes features on the front surface thereof;
FIG. 14 is a front elevation view of the utility knife handle of FIG. 13;
FIG. 15 is a top plan view of a fifth embodiment of the utility knife handle of the present invention, the utility knife handle being the same as the first embodiment except that it includes features on the front surface thereof;
FIG. 16 is a front elevation view of the utility knife handle of FIG. 15.
FIG. 17 is a front isometric view of sixth embodiment of the utility knife handle; FIG. 18 is a rear isometric view of the utility knife handle of FIG. 17;
FIG. 19 is a top plan view of the utility knife handle of FIG. 17;
FIG. 20 is a front elevation view of the utility knife handle of FIG. 17;
FIG. 21 is a bottom plan view of the utility knife handle of FIG. 17;
FIG. 22 is a rear elevation view of the utility knife handle of FIG. 17;
FIG. 23 is a left side elevation view of the utility knife handle of FIG. 22; and,
FIG. 24 is a right side elevation view of the utility knife handle of FIG. 22.
The broken lines depict portions of the utility knife handle in which the design is embodied that are not considered part of the claimed design.

1 Claim, 10 Drawing Sheets

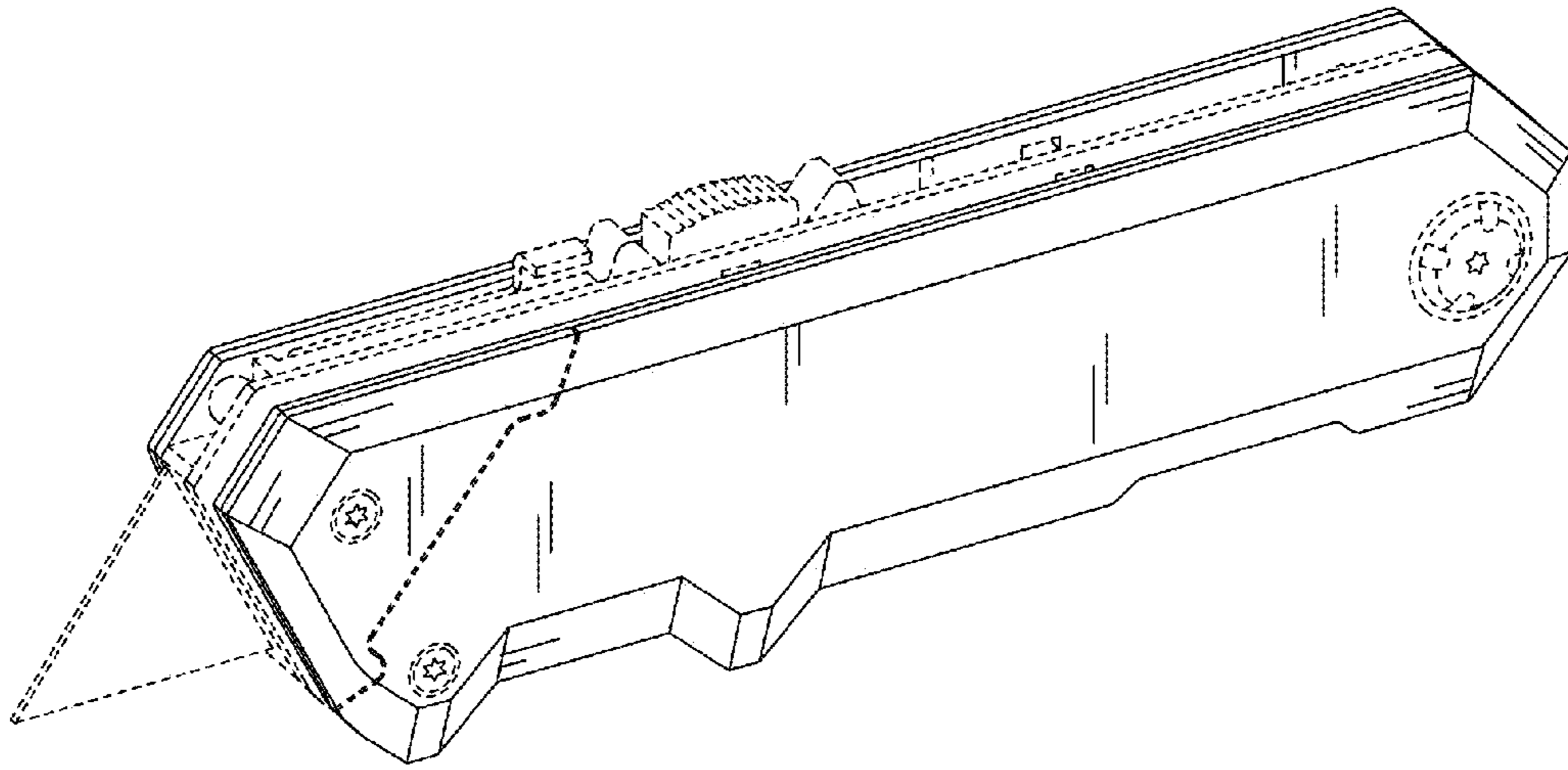


FIG. 1

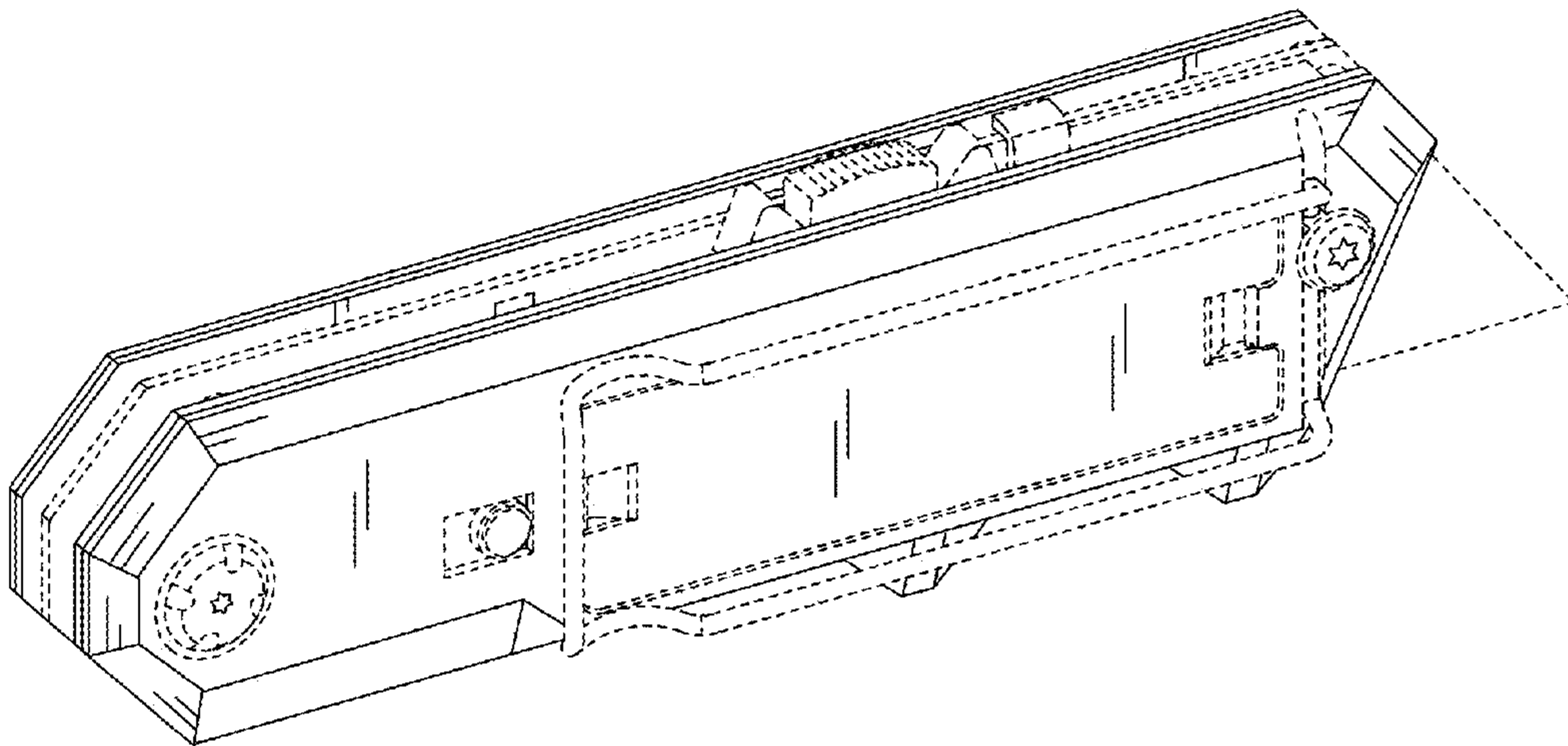


FIG. 2

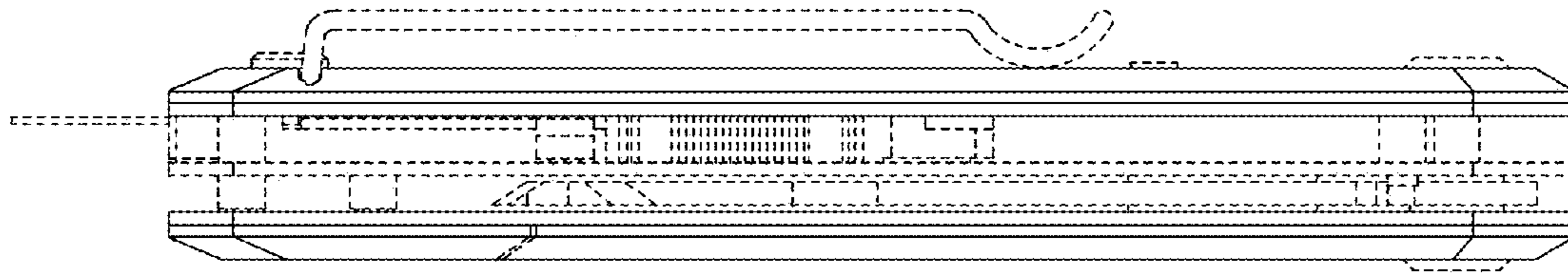


FIG. 3

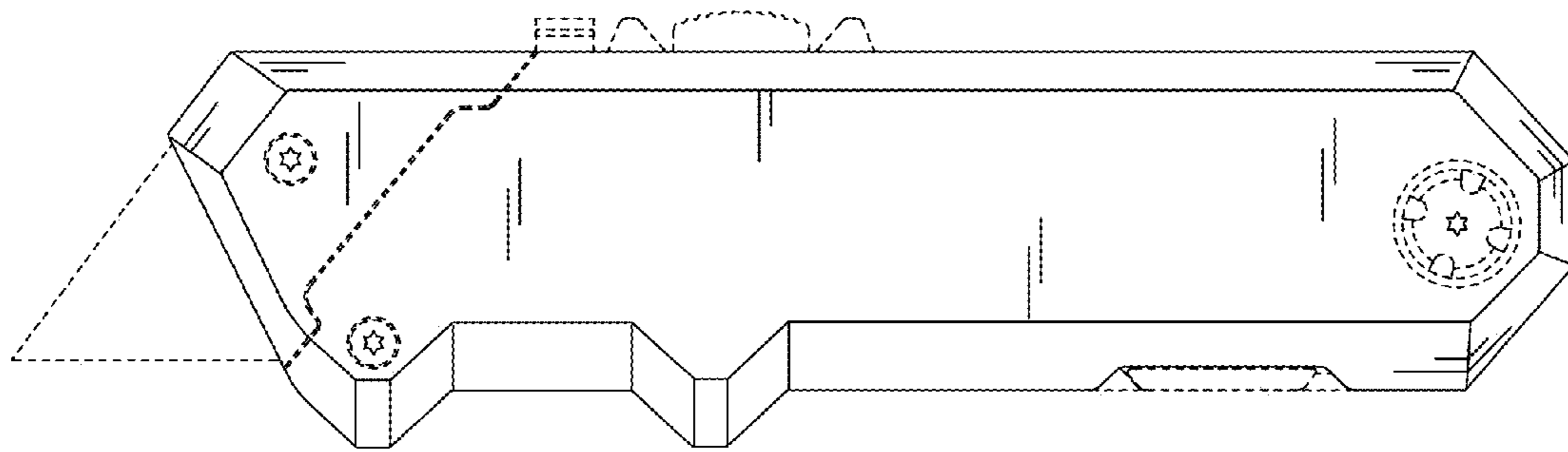


FIG. 4

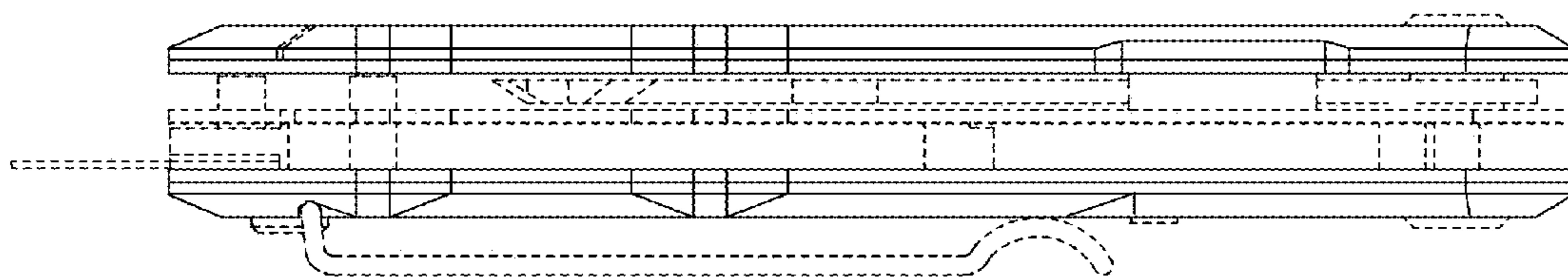


FIG. 5

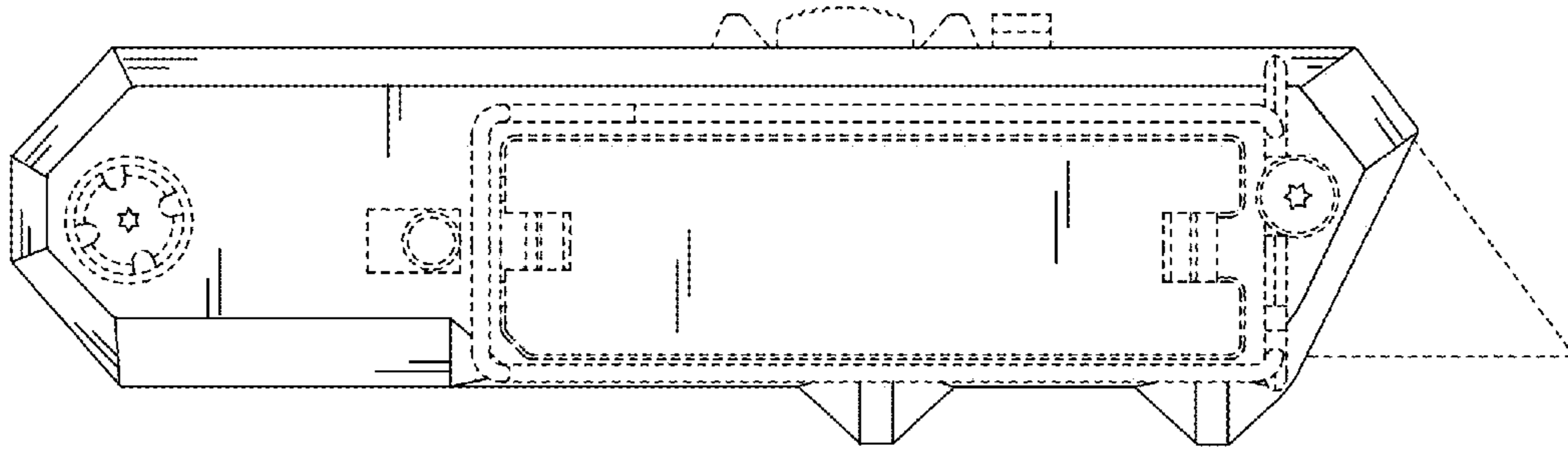


FIG. 6

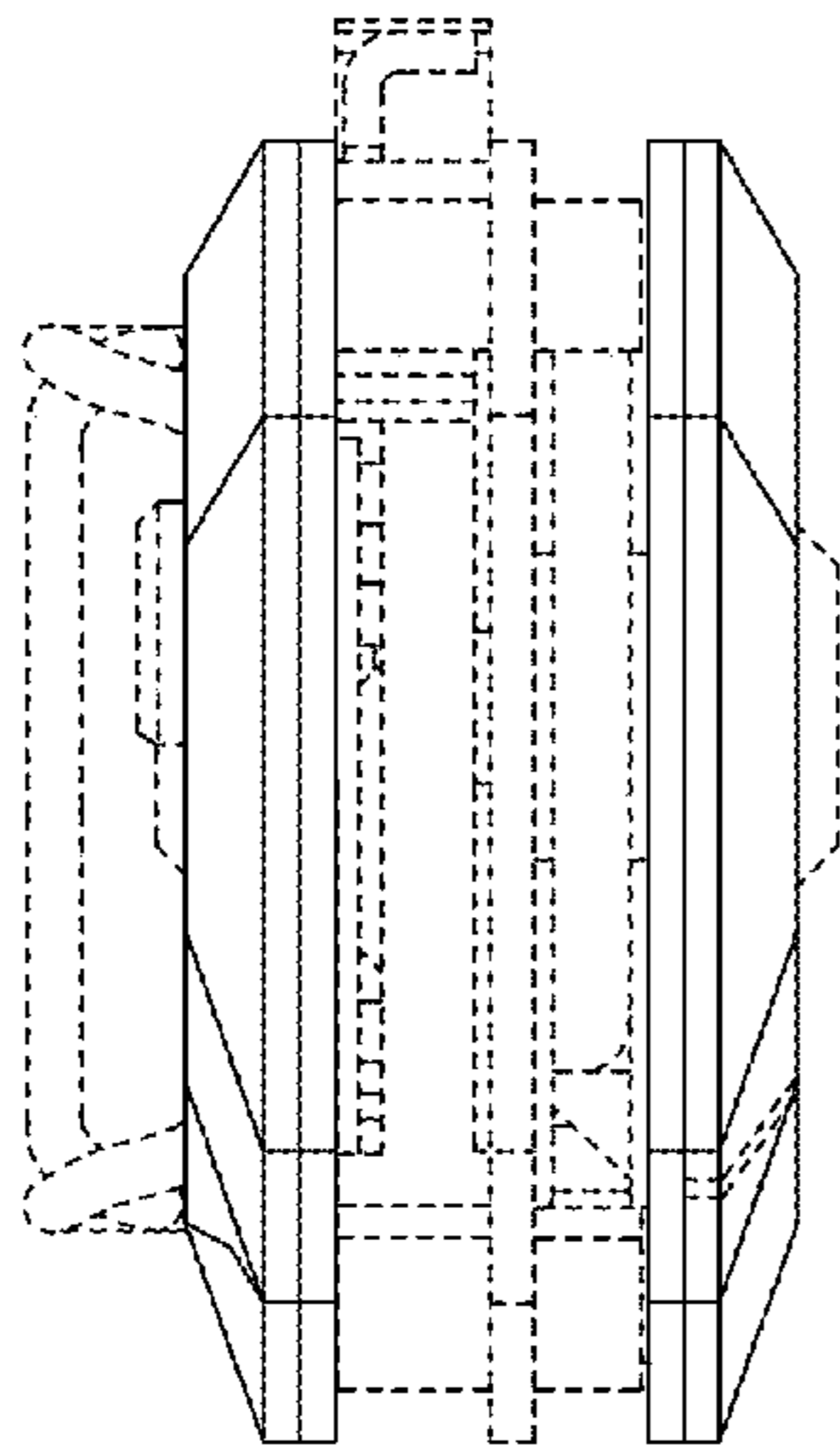


FIG. 7

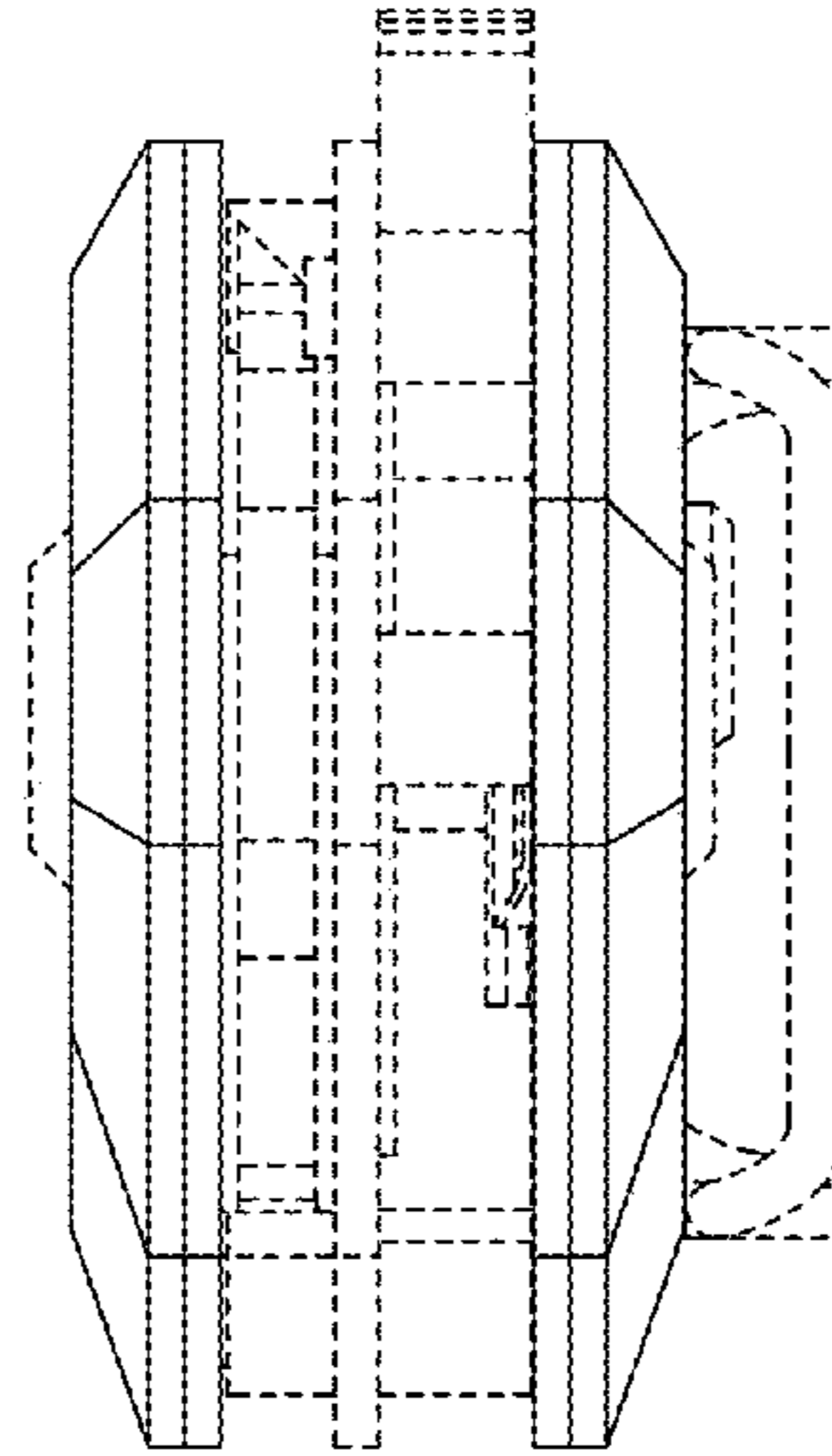


FIG. 8

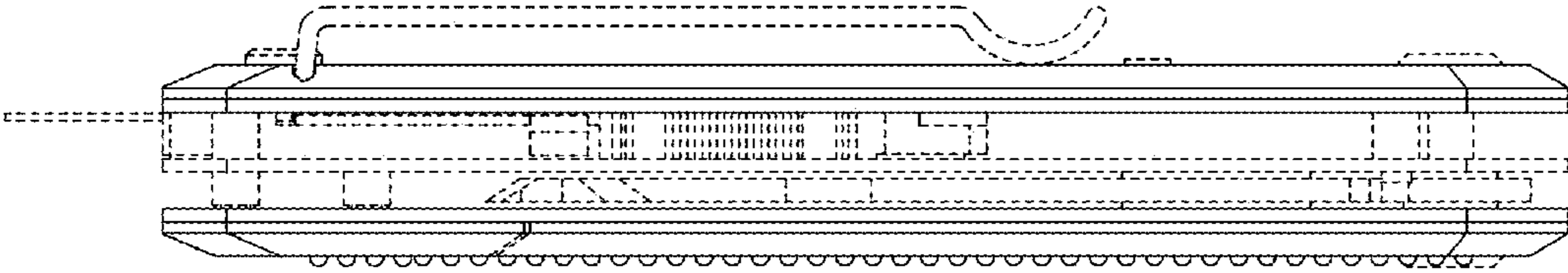


FIG. 9

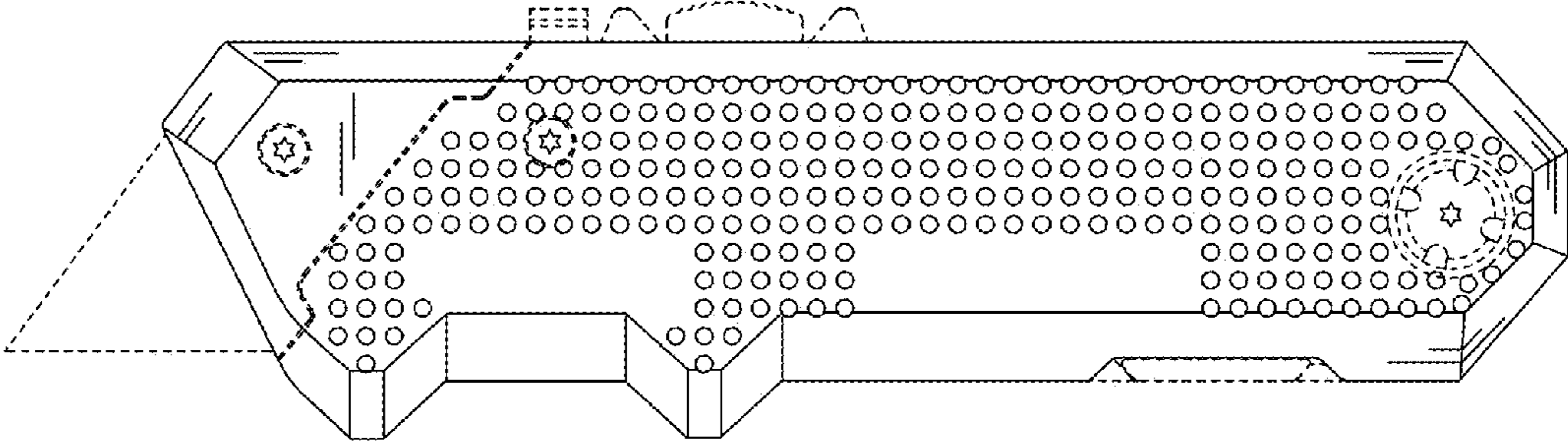


FIG. 10

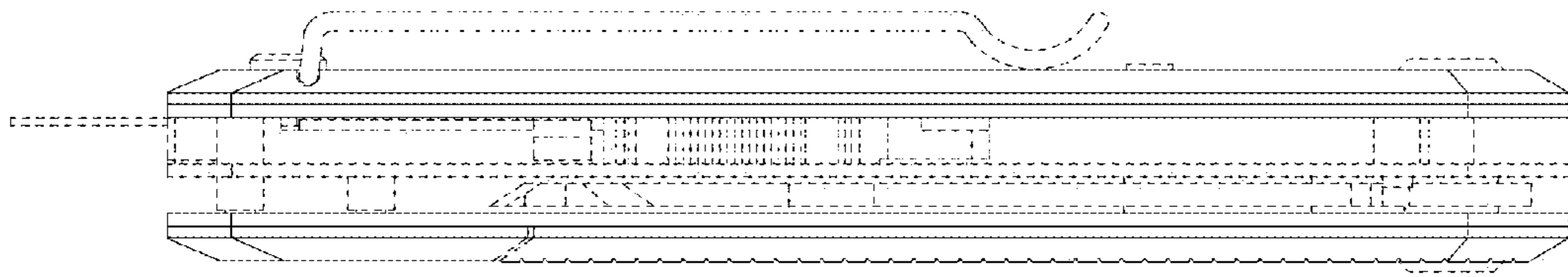


FIG. 11

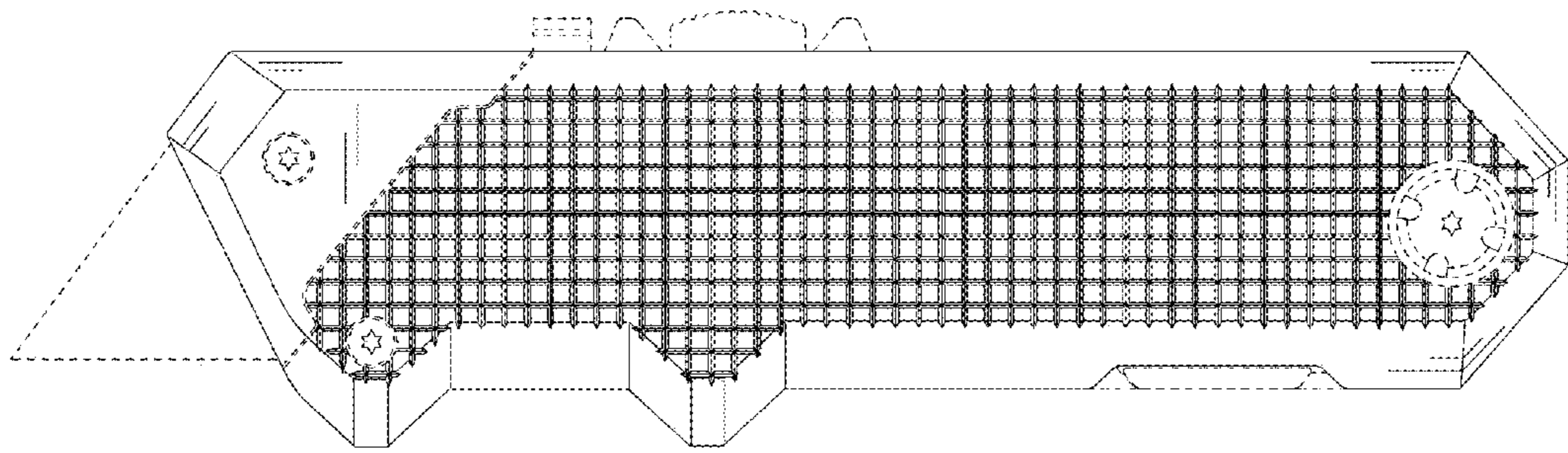


FIG. 12

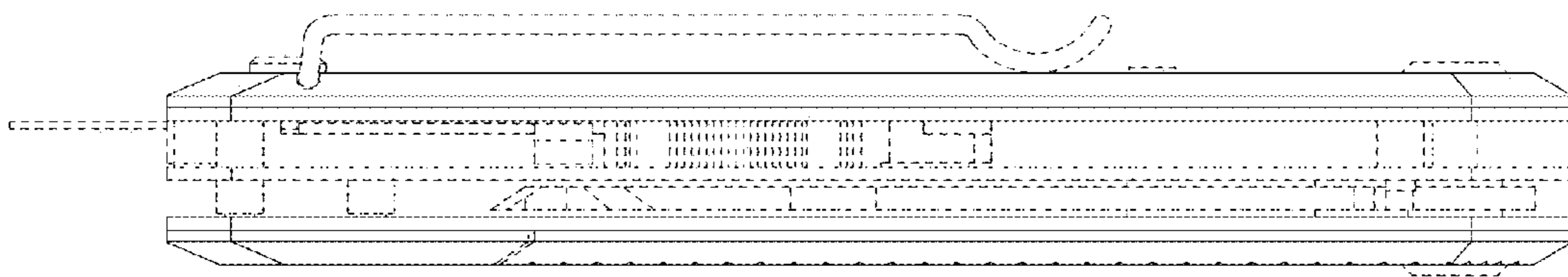


FIG. 13

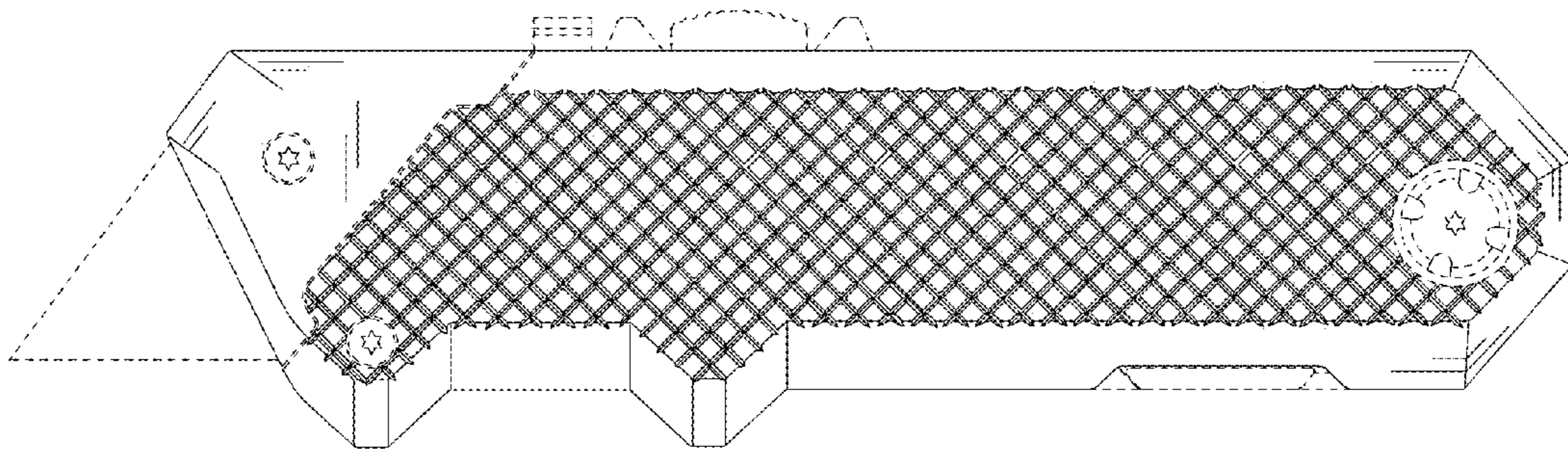


FIG. 14

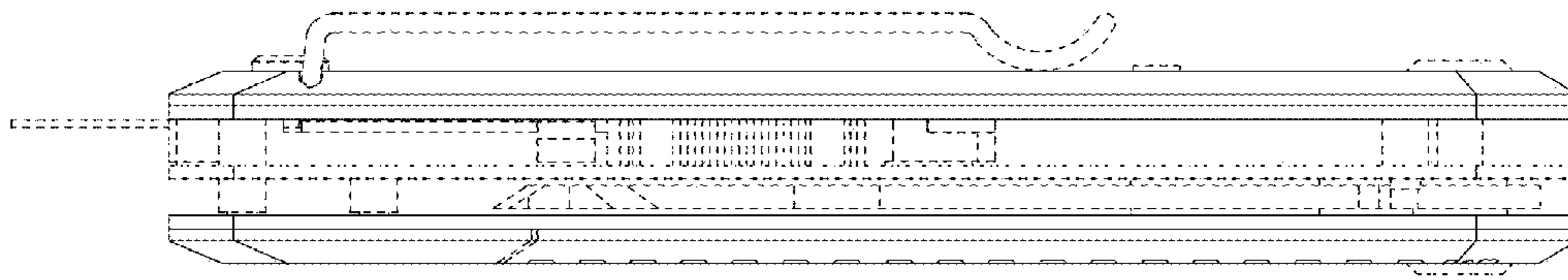


FIG. 15

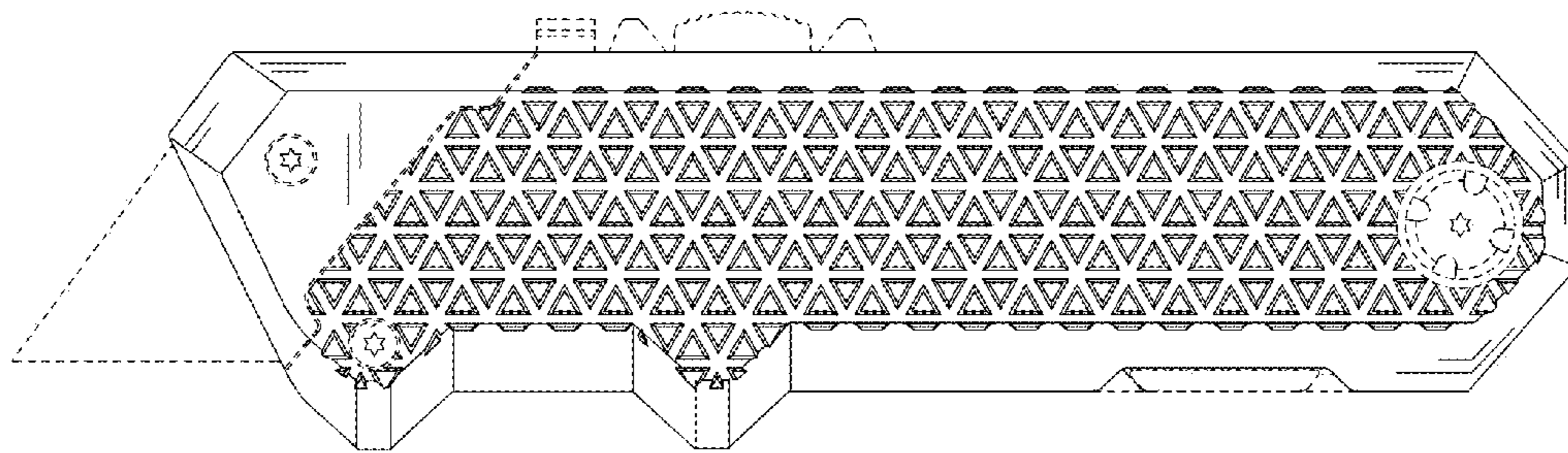


FIG. 16

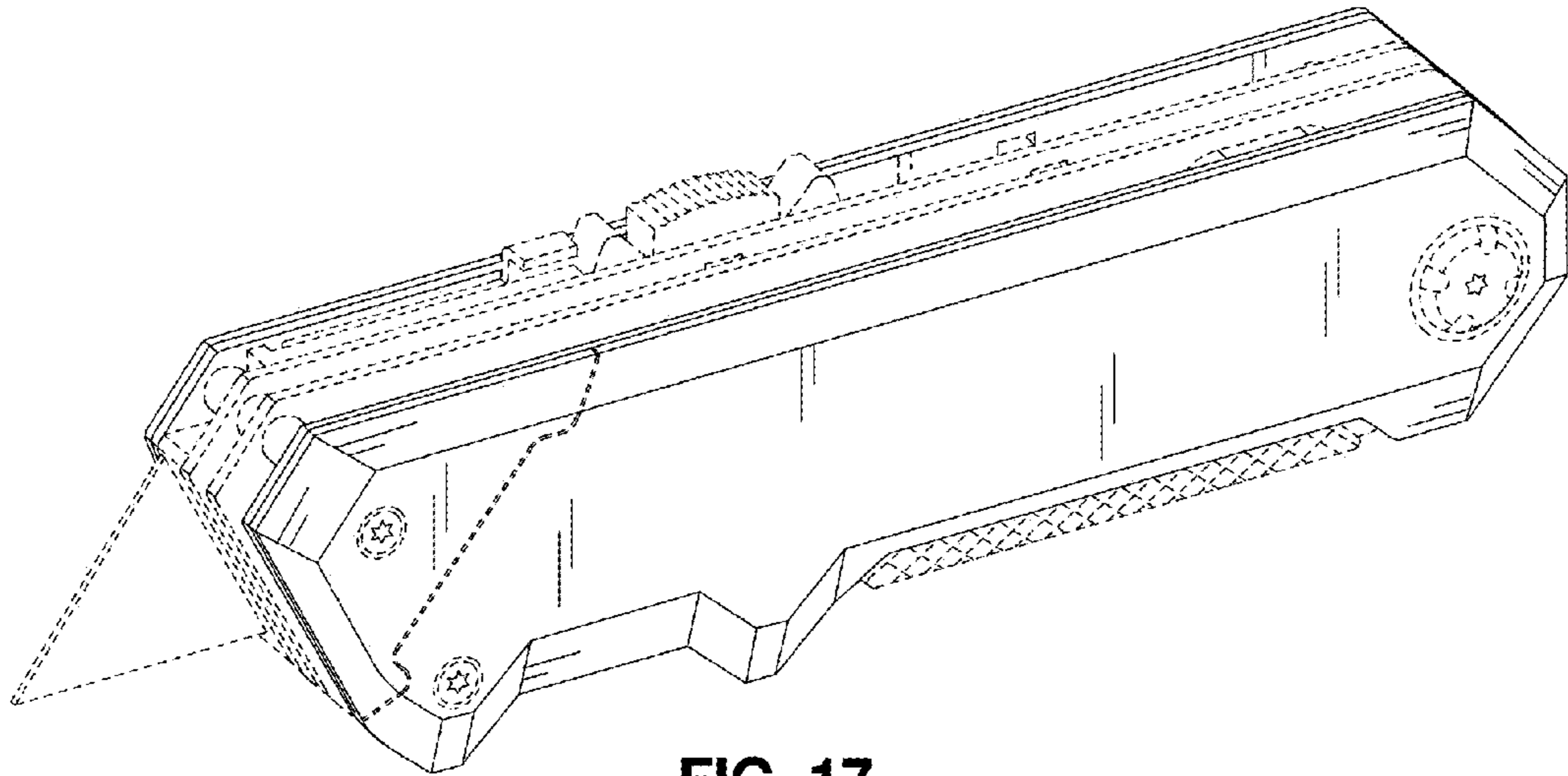


FIG. 17

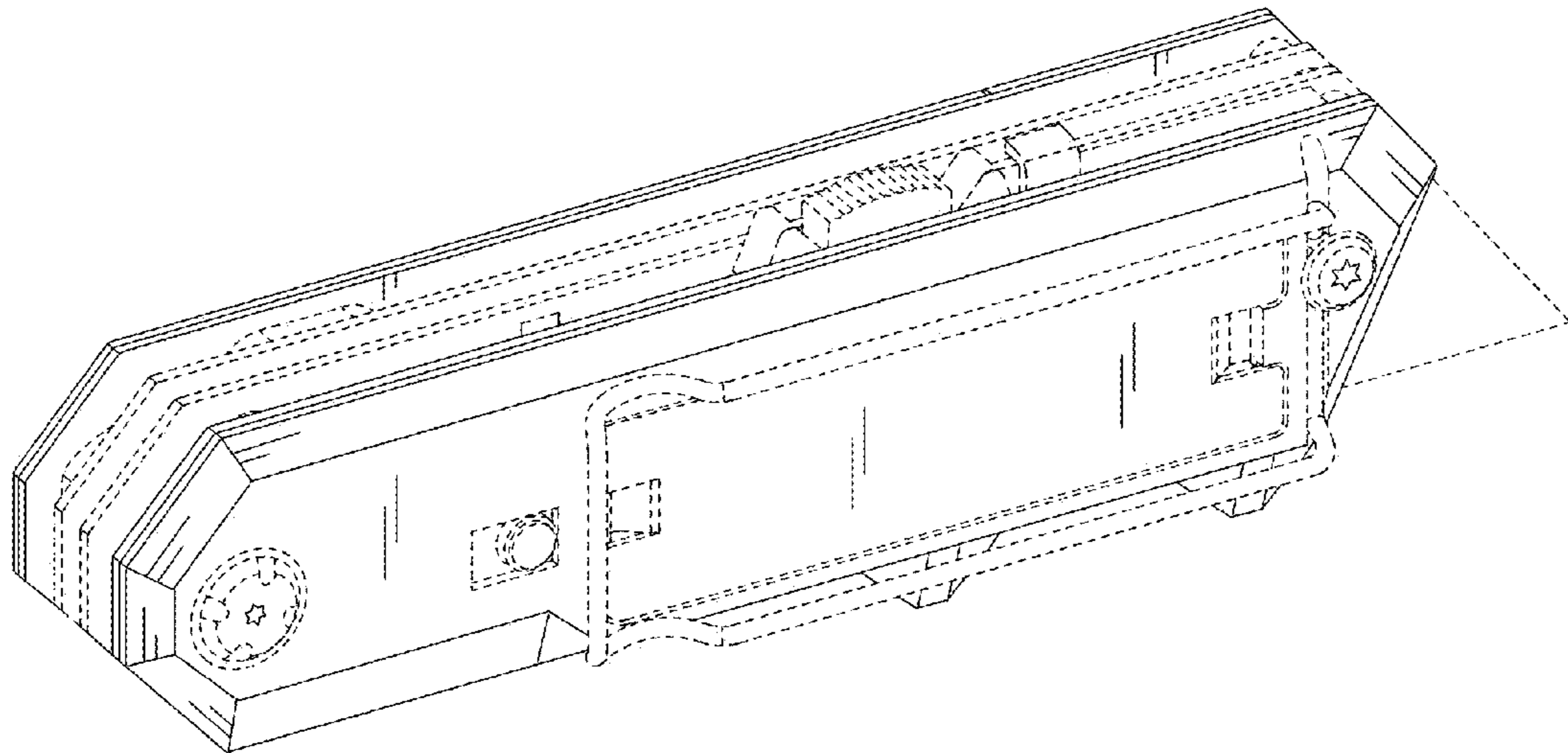


FIG. 18

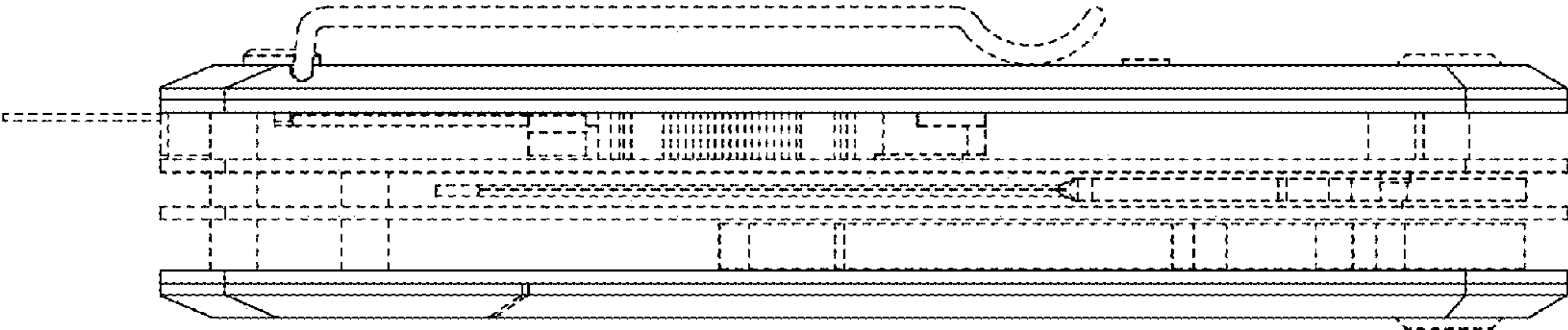


FIG. 19

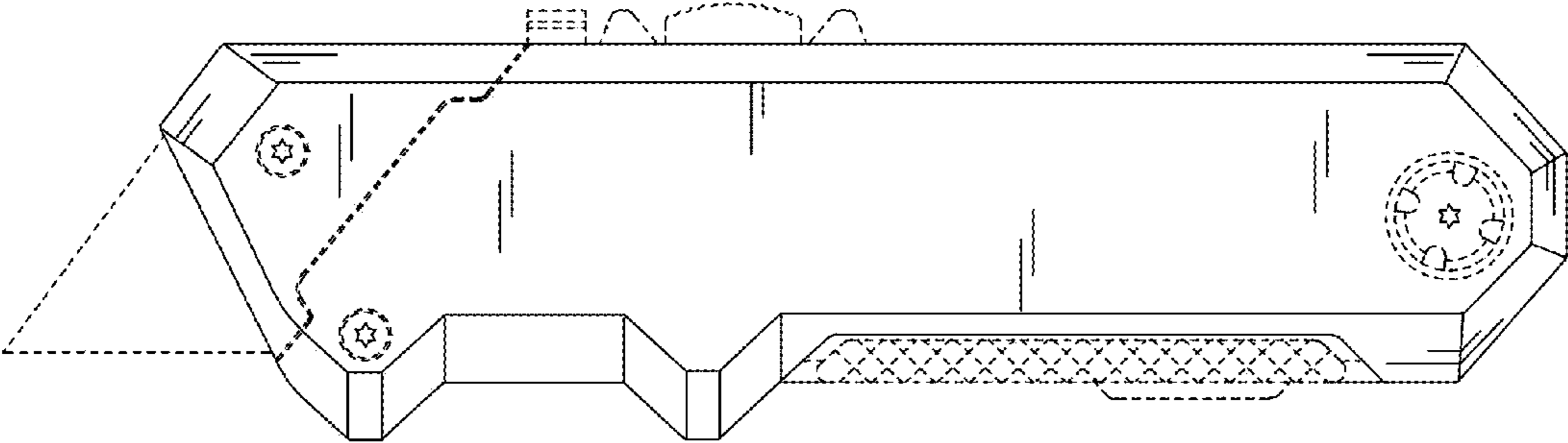


FIG. 20

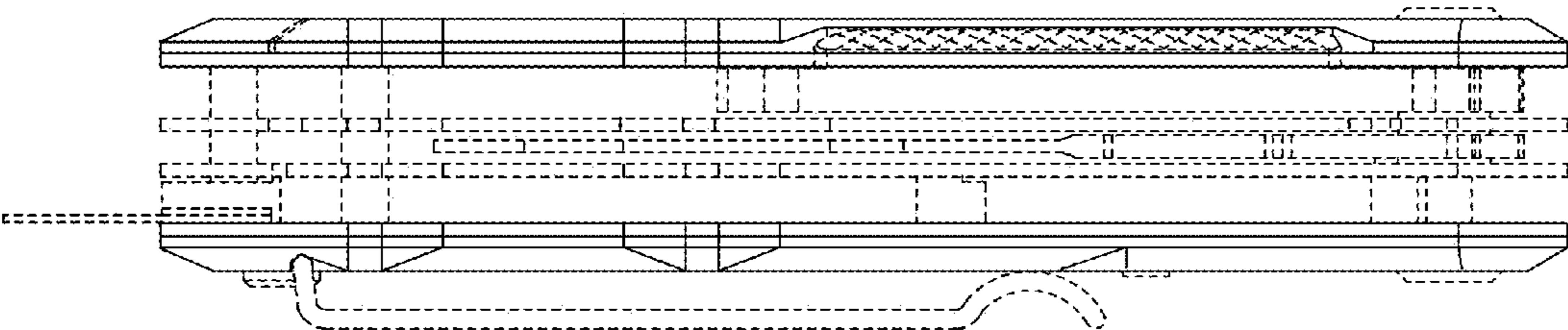


FIG. 21

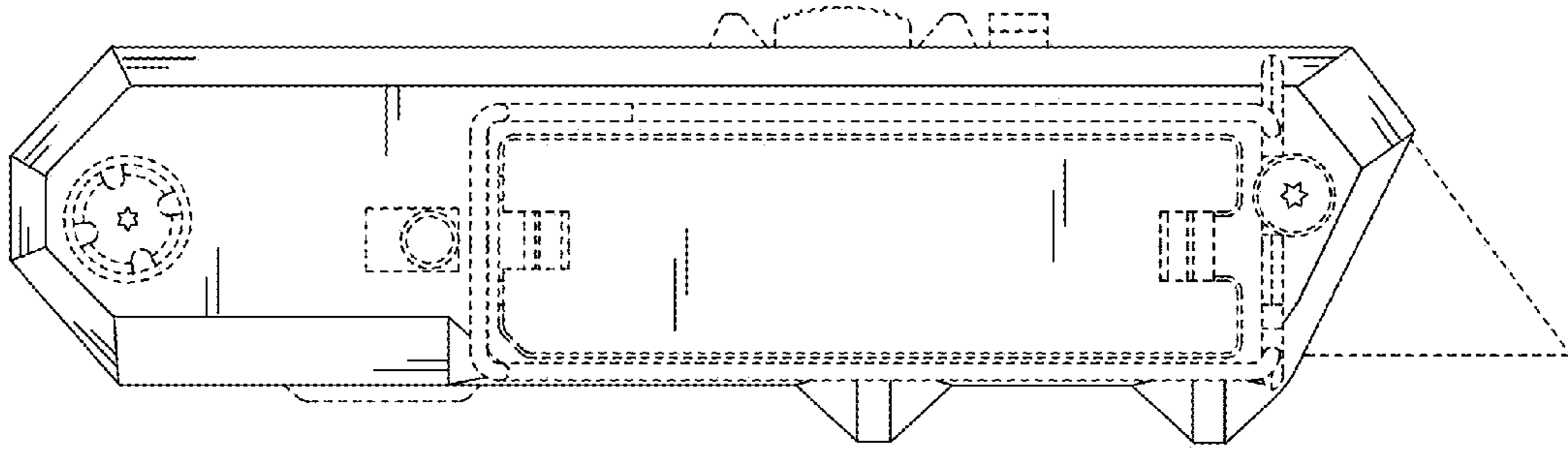


FIG. 22

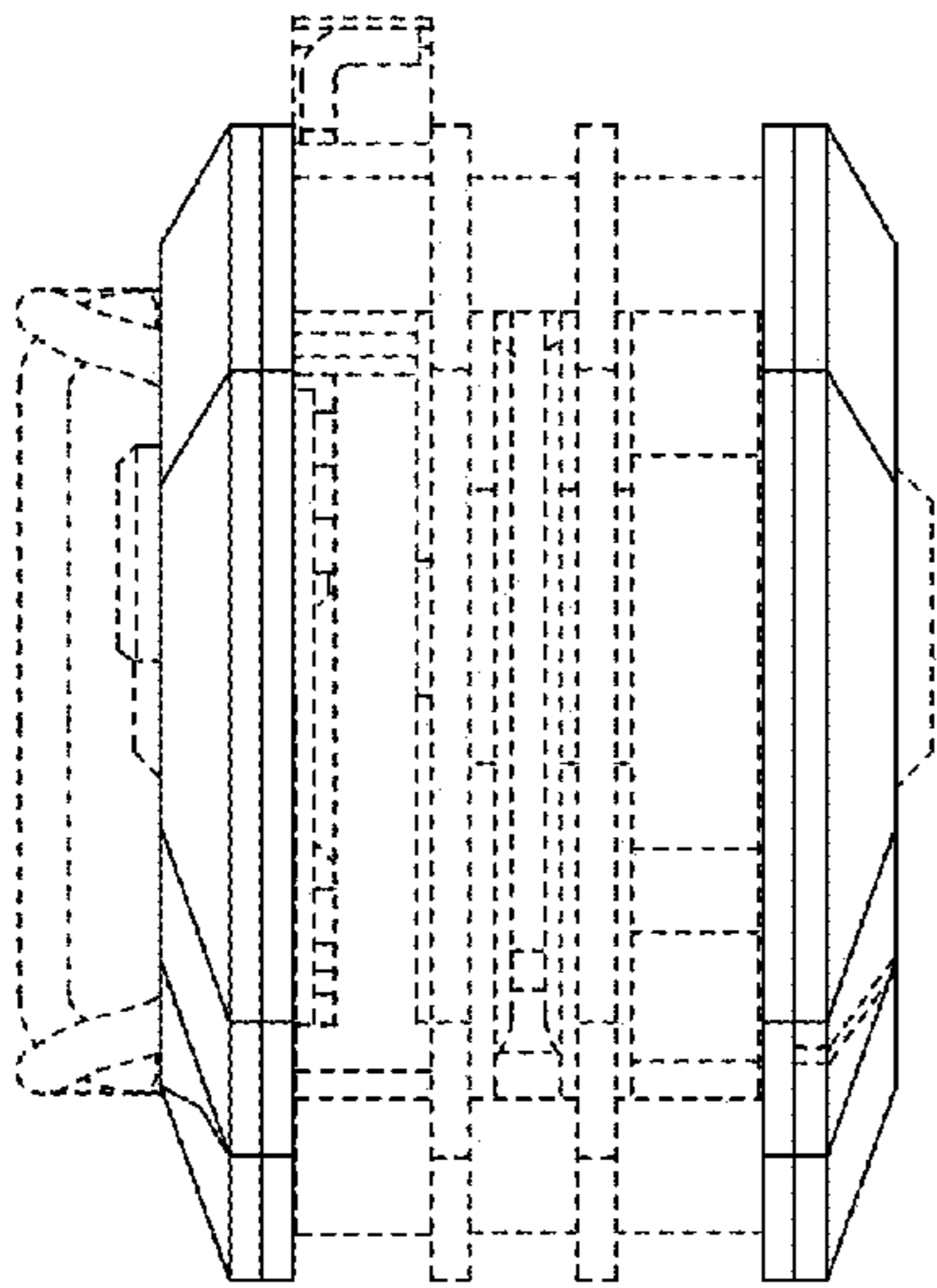


FIG. 23

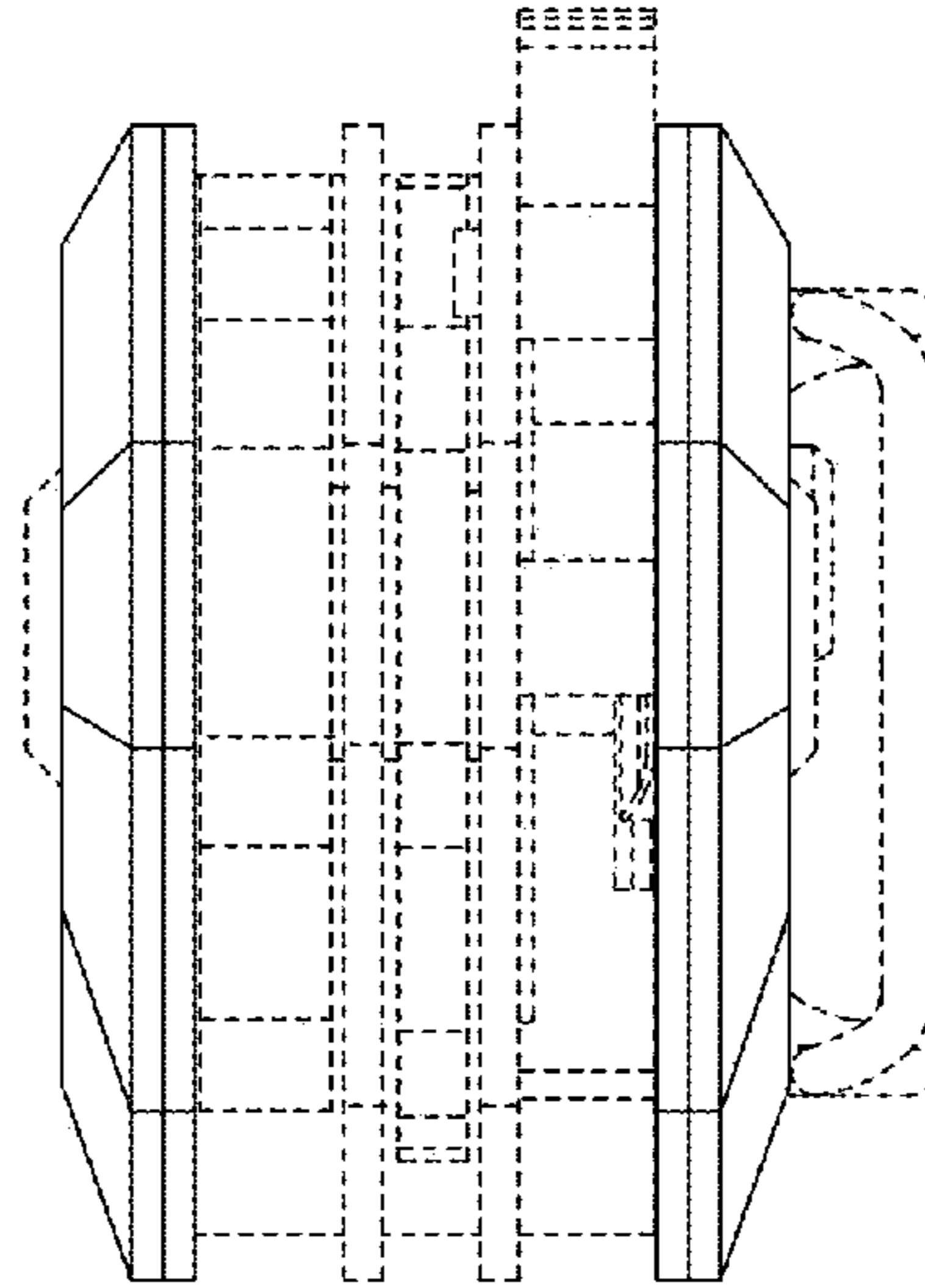


FIG. 24