



US00D749927S

(12) **United States Design Patent**  
**Lamb**

(10) **Patent No.:** **US D749,927 S**  
(45) **Date of Patent:** **\*\* Feb. 23, 2016**

- (54) **TREK SAW**
- (71) Applicant: **Colin Lamb**, Newberg, OR (US)
- (72) Inventor: **Colin Lamb**, Newberg, OR (US)
- (\*\*) Term: **14 Years**
- (21) Appl. No.: **29/512,863**
- (22) Filed: **Dec. 23, 2014**
- (51) **LOC (10) Cl.** ..... **08-03**
- (52) **U.S. Cl.**  
USPC ..... **D8/96**
- (58) **Field of Classification Search**  
USPC ..... D8/95, 96, 97, 98, 99  
CPC ..... B23D 51/03; B23D 51/10; B23D 51/12;  
B23D 51/01  
See application file for complete search history.

- 4,361,177 A \* 11/1982 Miller ..... B23D 51/03  
30/512
- 4,637,141 A \* 1/1987 Allen ..... B23D 51/03  
30/506
- 6,158,131 A \* 12/2000 Costanzo ..... B23D 51/03  
30/506
- 6,298,564 B1 \* 10/2001 Voser ..... A47J 33/00  
30/506

\* cited by examiner

*Primary Examiner* — Phillip S Hyder  
(74) *Attorney, Agent, or Firm* — K Karel Lambert; Lambert Patent Services LLC

(57) **CLAIM**

I claim the ornamental design for a trek saw, as shown and described.

**DESCRIPTION**

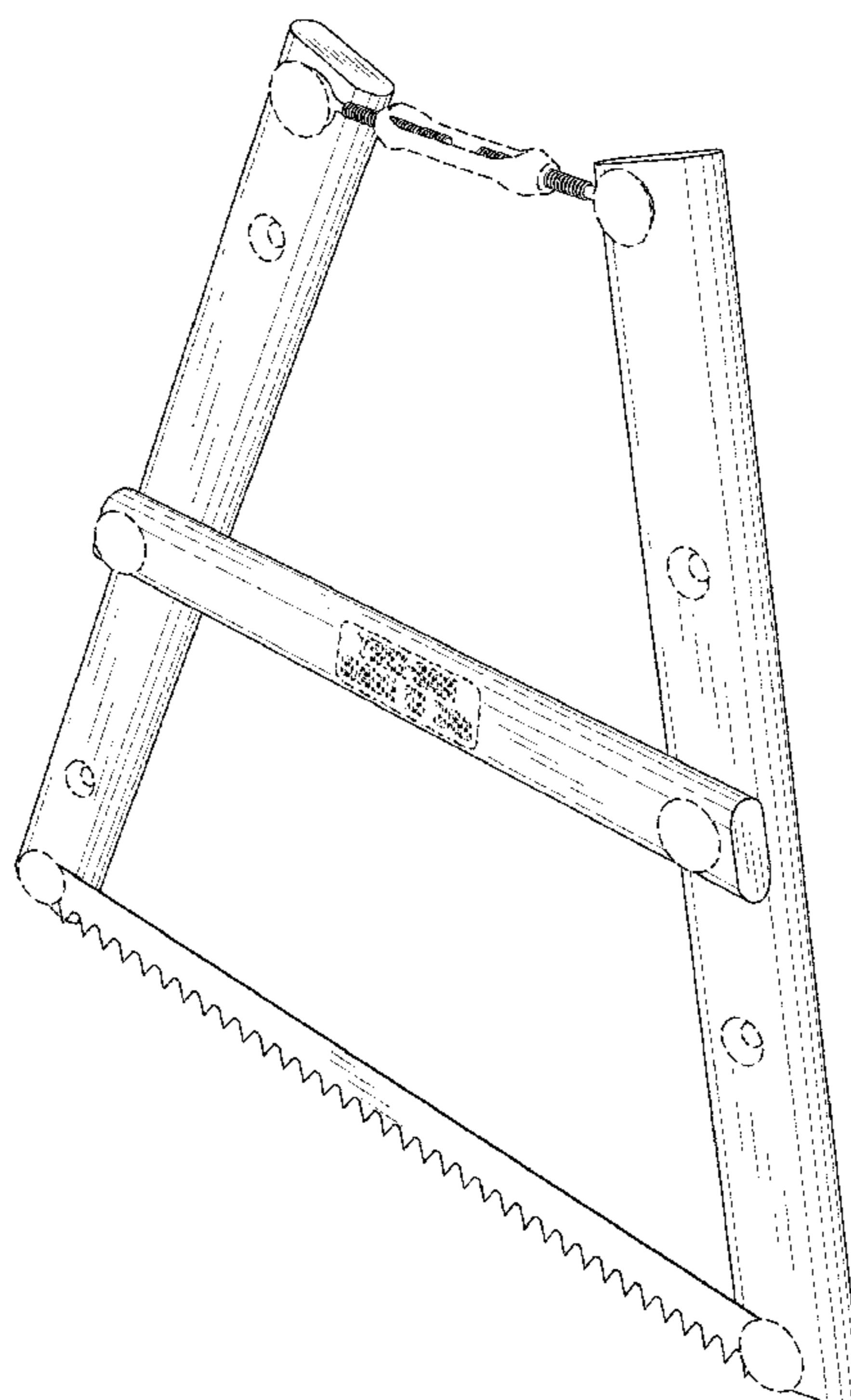
FIG. 1 is a front, side perspective view of a trek saw, showing my new design;  
FIG. 2 is a front-side elevational view thereof;  
FIG. 3 is a back-side elevational view thereof;  
FIG. 4 is a left-side elevational view thereof, the trek saw having generally a rotational axis of symmetry such that the left-side and the right side views are mirror images;  
FIG. 5 a top plan view thereof; and,  
FIG. 6 is a bottom plan view thereof.  
The broken lines depict portions of the trek saw in which the design is embodied that are not considered part of the claimed design.

(56) **References Cited**

U.S. PATENT DOCUMENTS

- 2,602,478 A \* 7/1952 Carpentier ..... B23D 51/125  
30/513
- 2,667,195 A \* 1/1954 Kilmer ..... B23D 51/03  
30/151
- 2,910,101 A \* 10/1959 Canfield ..... B23D 51/03  
30/506
- 3,098,726 A \* 7/1963 Stone ..... D06F 25/00  
34/596
- 3,954,127 A \* 5/1976 Doxon ..... B23D 51/03  
30/506
- 4,186,785 A \* 2/1980 Bilsback ..... B23D 51/03  
30/151

**1 Claim, 5 Drawing Sheets**



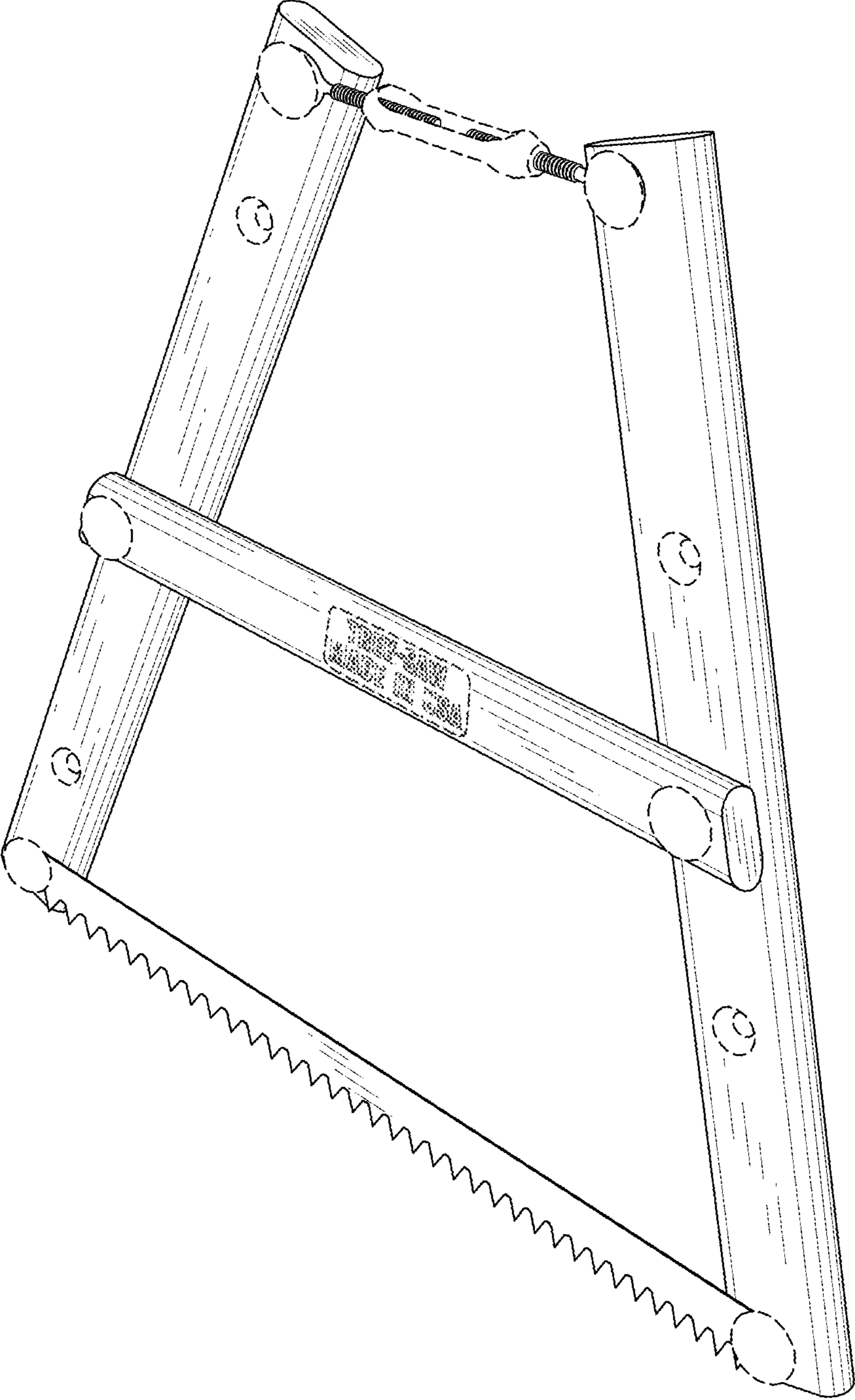


FIG. 1

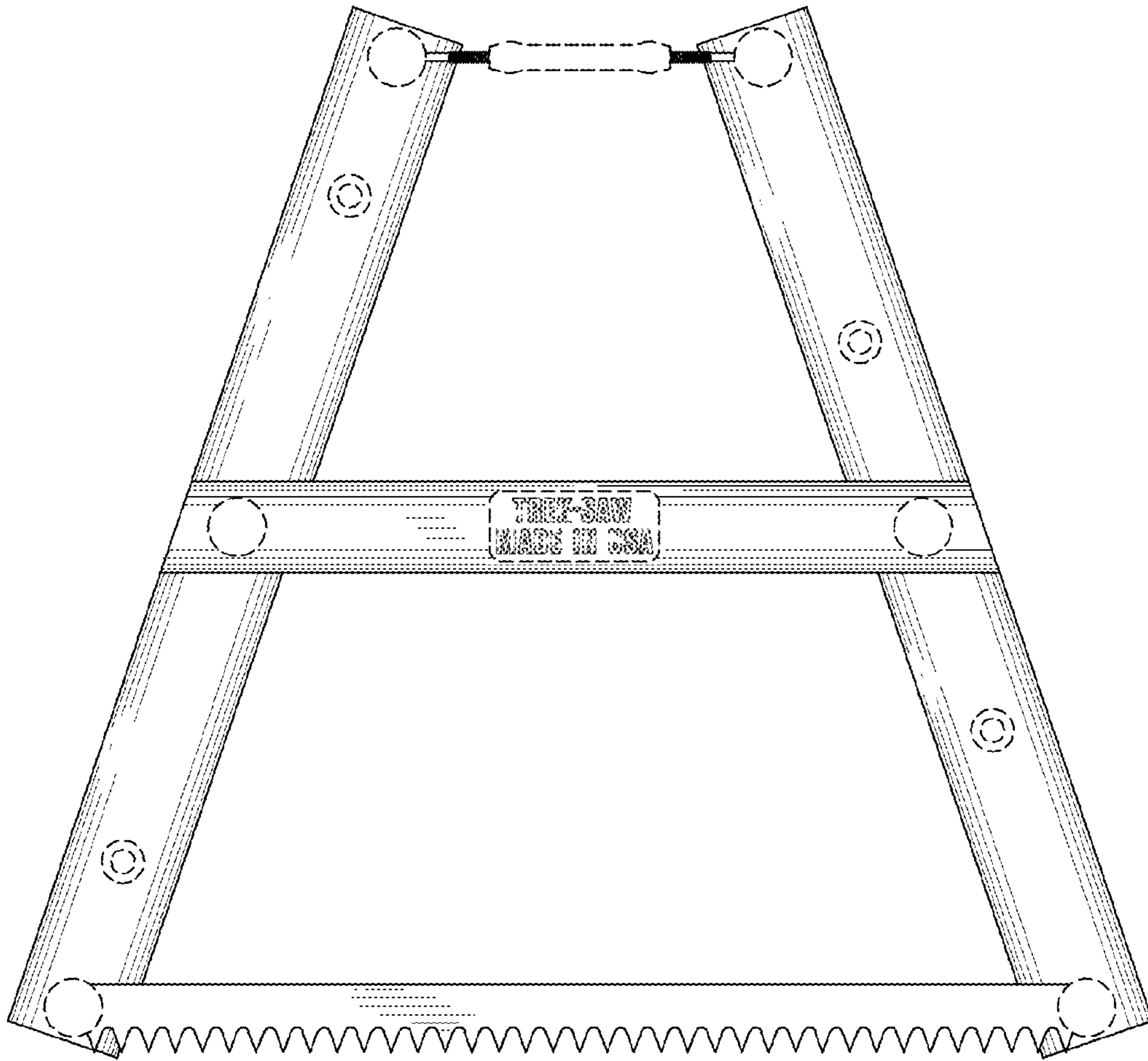


FIG. 2

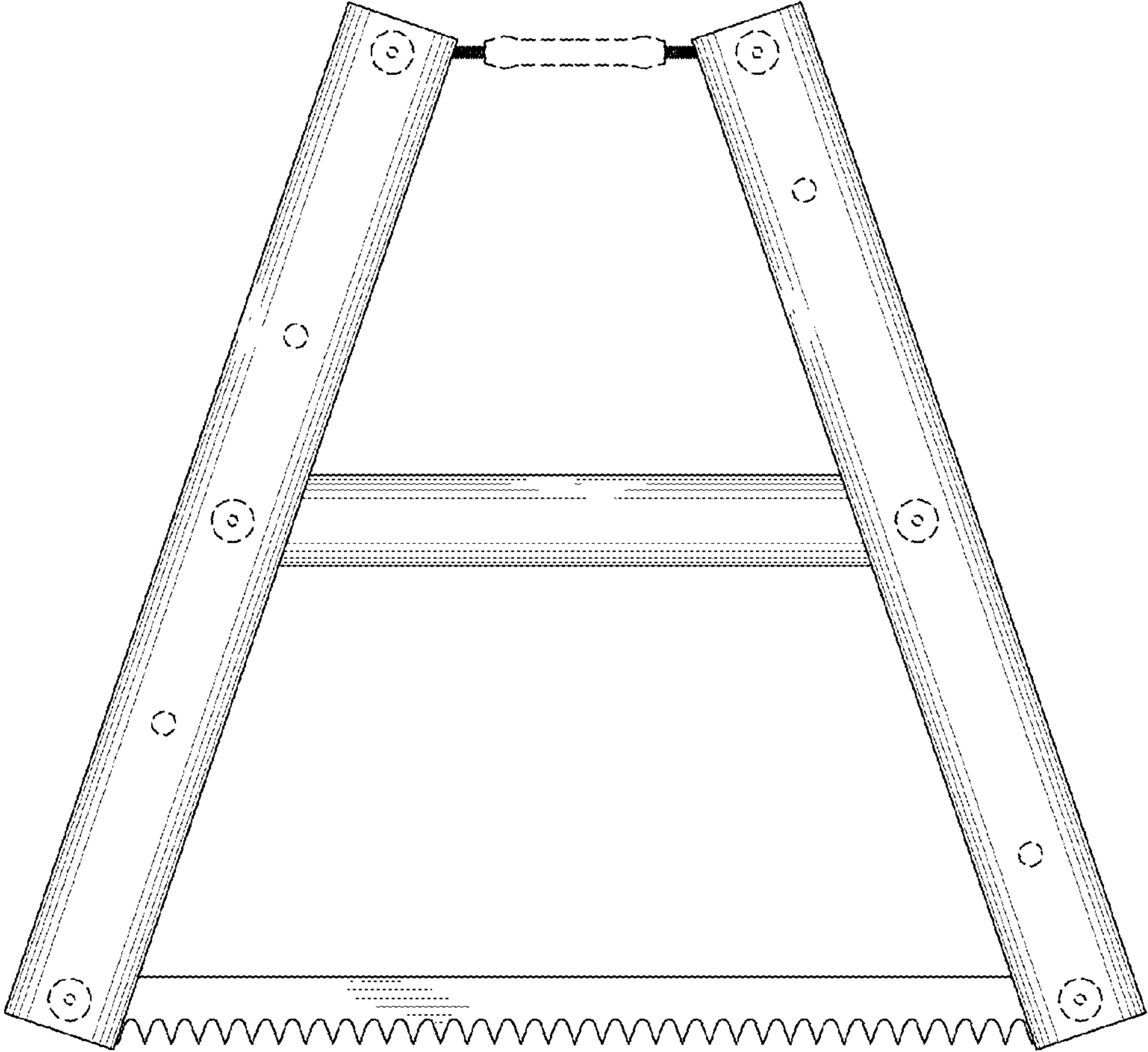


FIG. 3

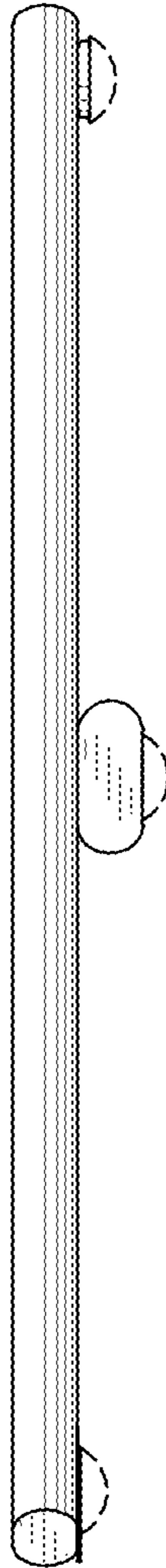


FIG. 4

FIG. 5



FIG. 6

