



US00D749926S

(12) **United States Design Patent**
Guirlinger

(10) **Patent No.:** **US D749,926 S**

(45) **Date of Patent:** **** Feb. 23, 2016**

(54) **WISE**

(71) Applicant: **Edward G. Guirlinger**, New Albany,
OH (US)

(72) Inventor: **Edward G. Guirlinger**, New Albany,
OH (US)

(**) Term: **14 Years**

(21) Appl. No.: **29/483,003**

(22) Filed: **Feb. 24, 2014**

(51) **LOC (10) Cl.** **08-05**

(52) **U.S. Cl.**
USPC **D8/74**

(58) **Field of Classification Search**
USPC D8/71-74, 394-399, 354, 355, 356, 59;
248/62, 63, 72, 74.1, 689, 124.2;
81/487, 385, 386, 388-390; 269/3, 4,
269/6, 143, 165, 240, 243, 246-249, 254 R,
269/147-149; 29/256, 257, 276; D15/140;
D24/143; 408/103, 104-109; D7/683,
D7/685, 686
CPC B25B 1/00; B25B 5/00
See application file for complete search history.

(56) **References Cited**

U.S. PATENT DOCUMENTS

2,075,792	A *	4/1937	Curtiss	29/257
D237,938	S *	12/1975	Seminario	D8/59
4,834,354	A *	5/1989	Yang	269/156
D305,607	S *	1/1990	Andrews	D8/70
D346,217	S *	4/1994	Sparker et al.	D24/133
D393,998	S *	5/1998	Anderson	D8/394
6,192,566	B1 *	2/2001	Dunum	29/239
6,363,595	B1 *	4/2002	Roy	29/263
D597,813	S *	8/2009	Livingston et al.	D8/72
D653,514	S *	2/2012	Wenning	D8/72

D668,522 S * 10/2012 Henderson D8/73
2012/0204393 A1 * 8/2012 Gentner et al. 29/257
2015/0033914 A1 * 2/2015 Chen 81/52

* cited by examiner

Primary Examiner — David Muller

Assistant Examiner — Nathan Johnston

(74) *Attorney, Agent, or Firm* — Lech Law, LLC; Robert R. Lech

(57) **CLAIM**

What is claimed is the ornamental design for a vise, as shown and described.

DESCRIPTION

FIG. 1 is a left side elevation view of a vise wherein a movable upper jaw of the vise is disposed against a lower stationary jaw of the vise with no pressure asserted by a threaded shaft of the vise;

FIG. 2 is a front elevation view thereof wherein the movable upper jaw is disposed against the stationary lower jaw with pressure asserted by the threaded shaft;

FIG. 3 is a right side elevation view thereof wherein the movable upper jaw is spaced apart from the stationary lower jaw with no pressure asserted by the threaded shaft thereby revealing a guide pin;

FIG. 4 is a top plan view thereof;

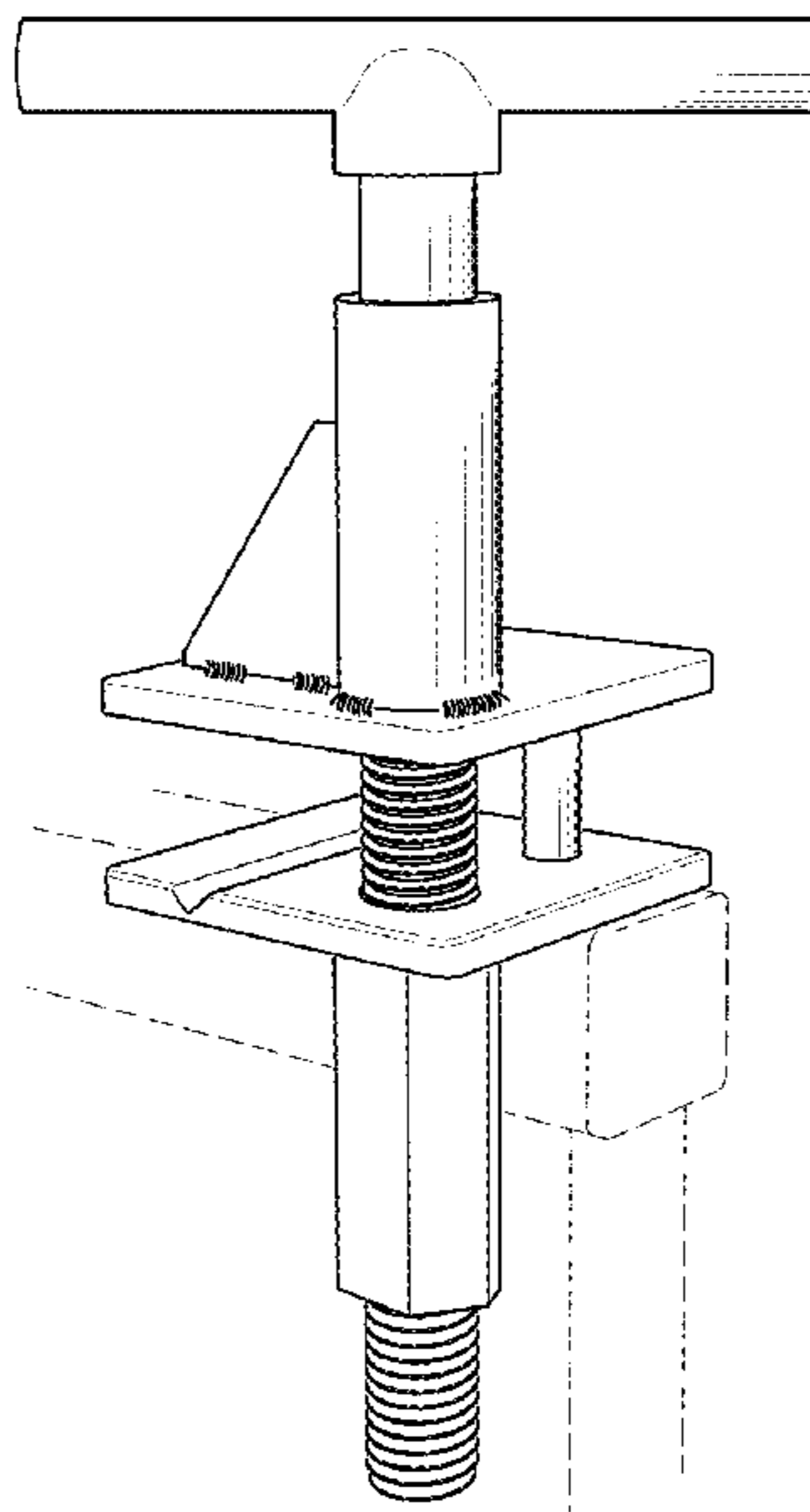
FIG. 5 is a bottom plan view thereof;

FIG. 6 is a perspective view of the vice of FIG. 1 in an open configuration wherein the guide pin is inserted in an aperture; and,

FIG. 7 is a perspective view of the vice of FIG. 1 in an open configuration wherein the guide pin is removed from an aperture.

The broken lines showing an article upon which the vise is mounted are included for the purpose of illustrating environment and form no part of the claimed design.

1 Claim, 3 Drawing Sheets



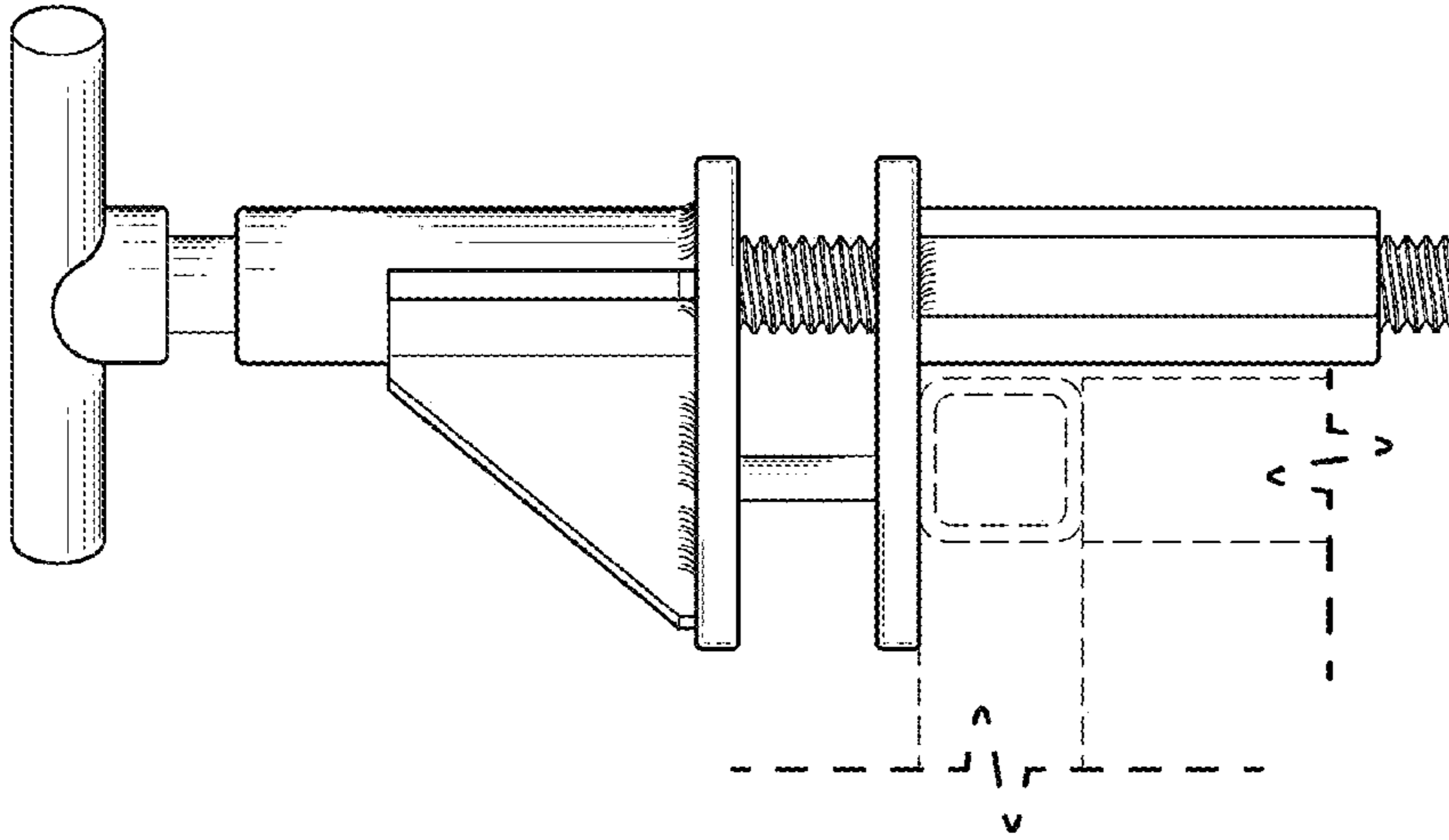


FIG. 1

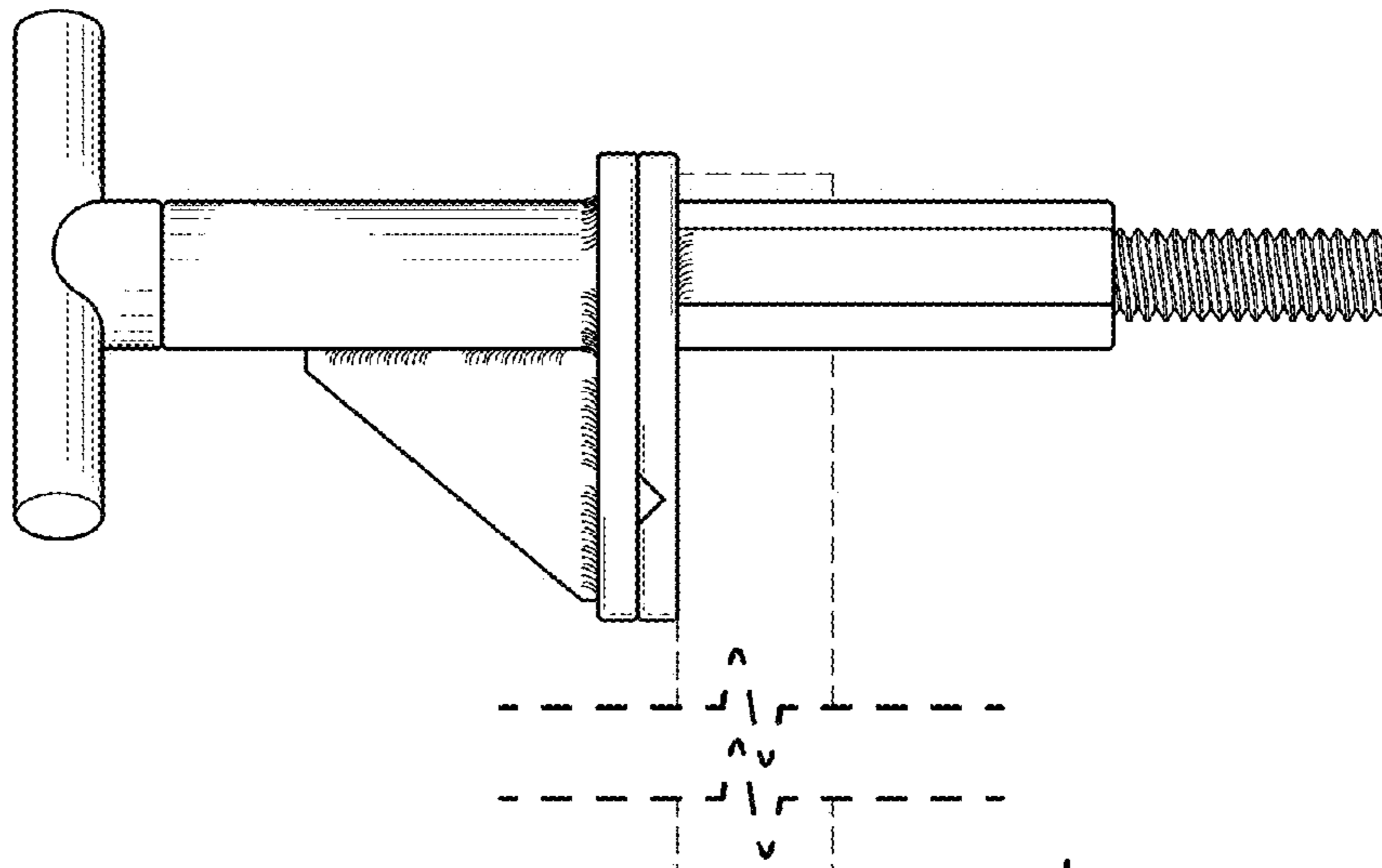


FIG. 2

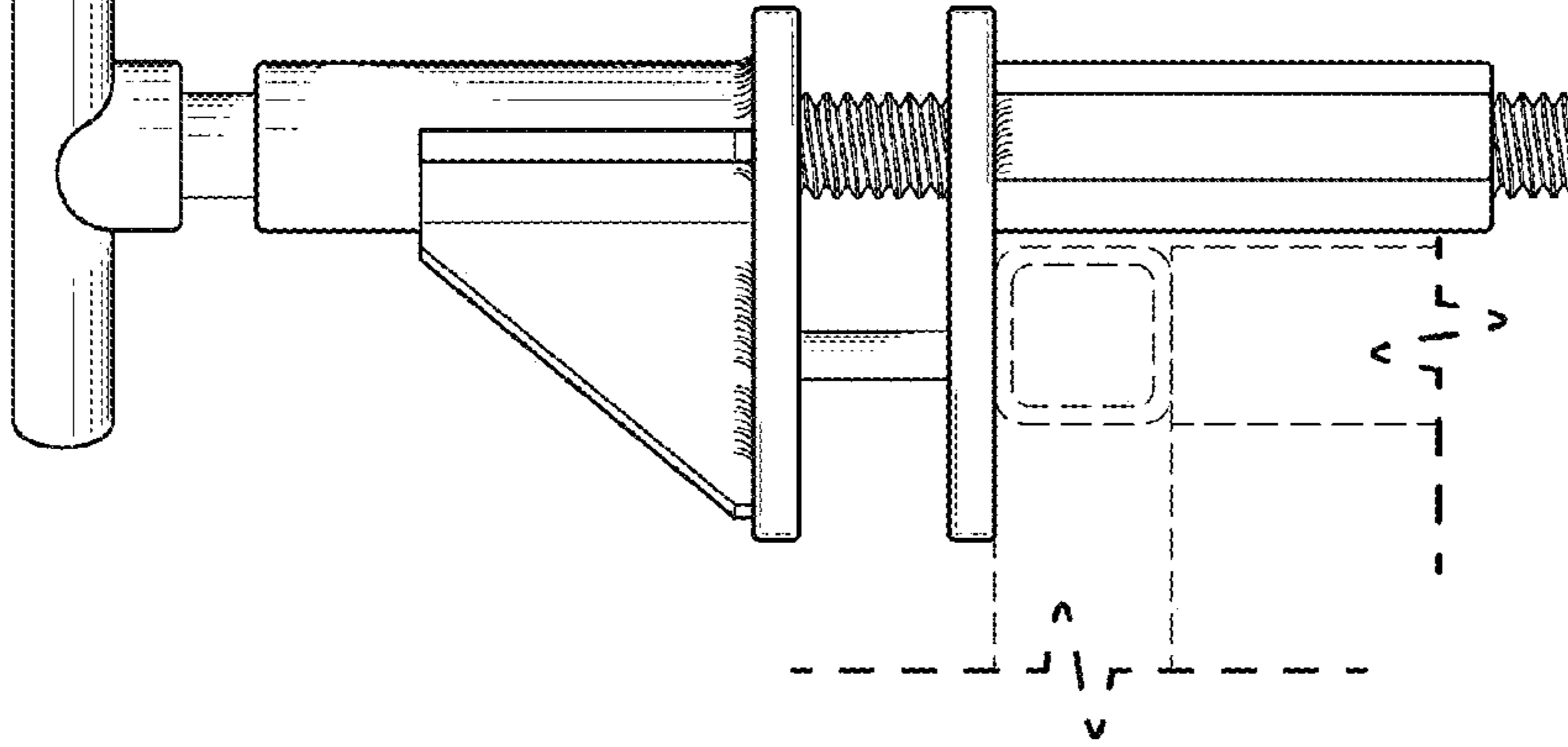


FIG. 3

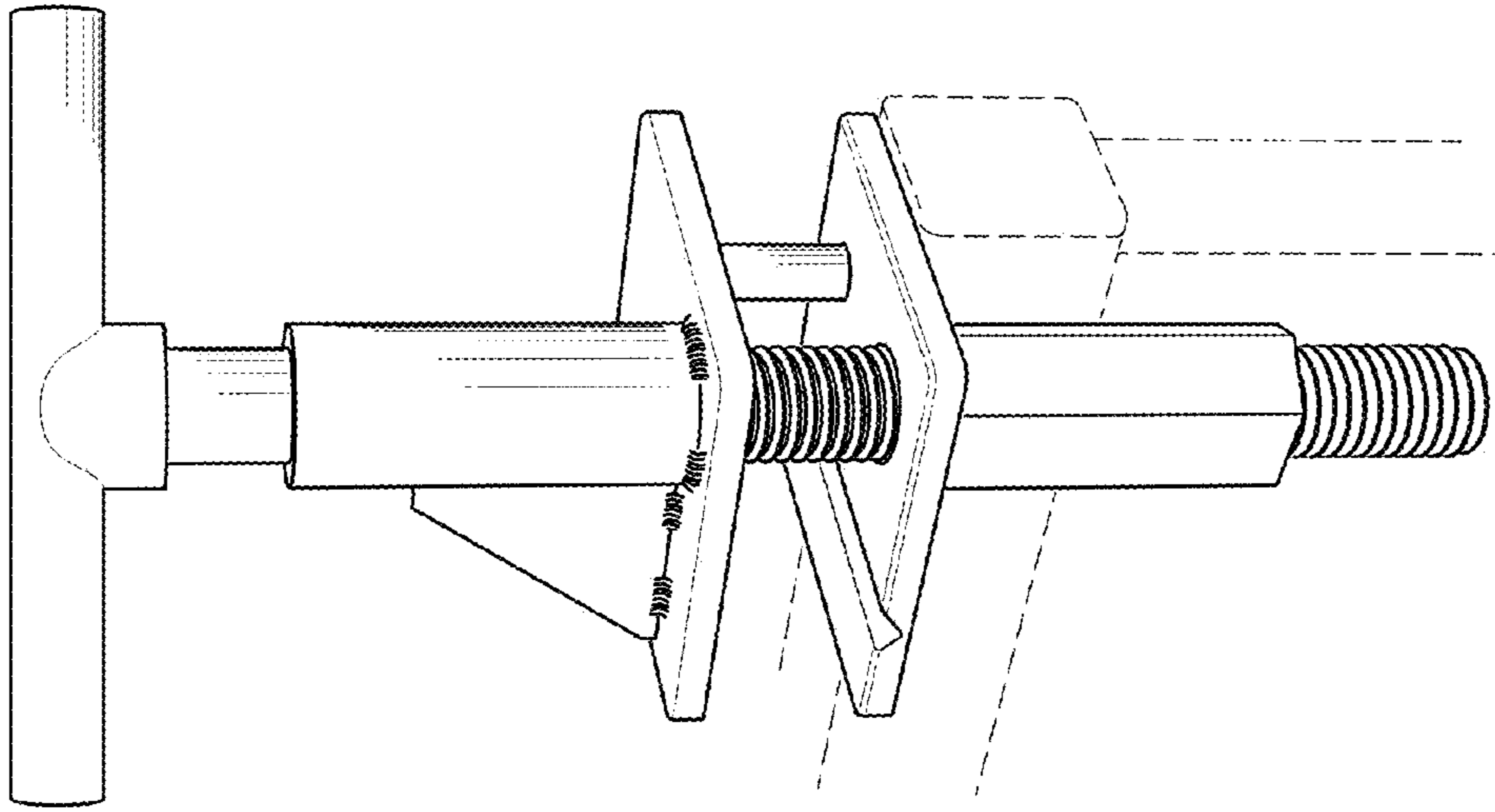


FIG. 6

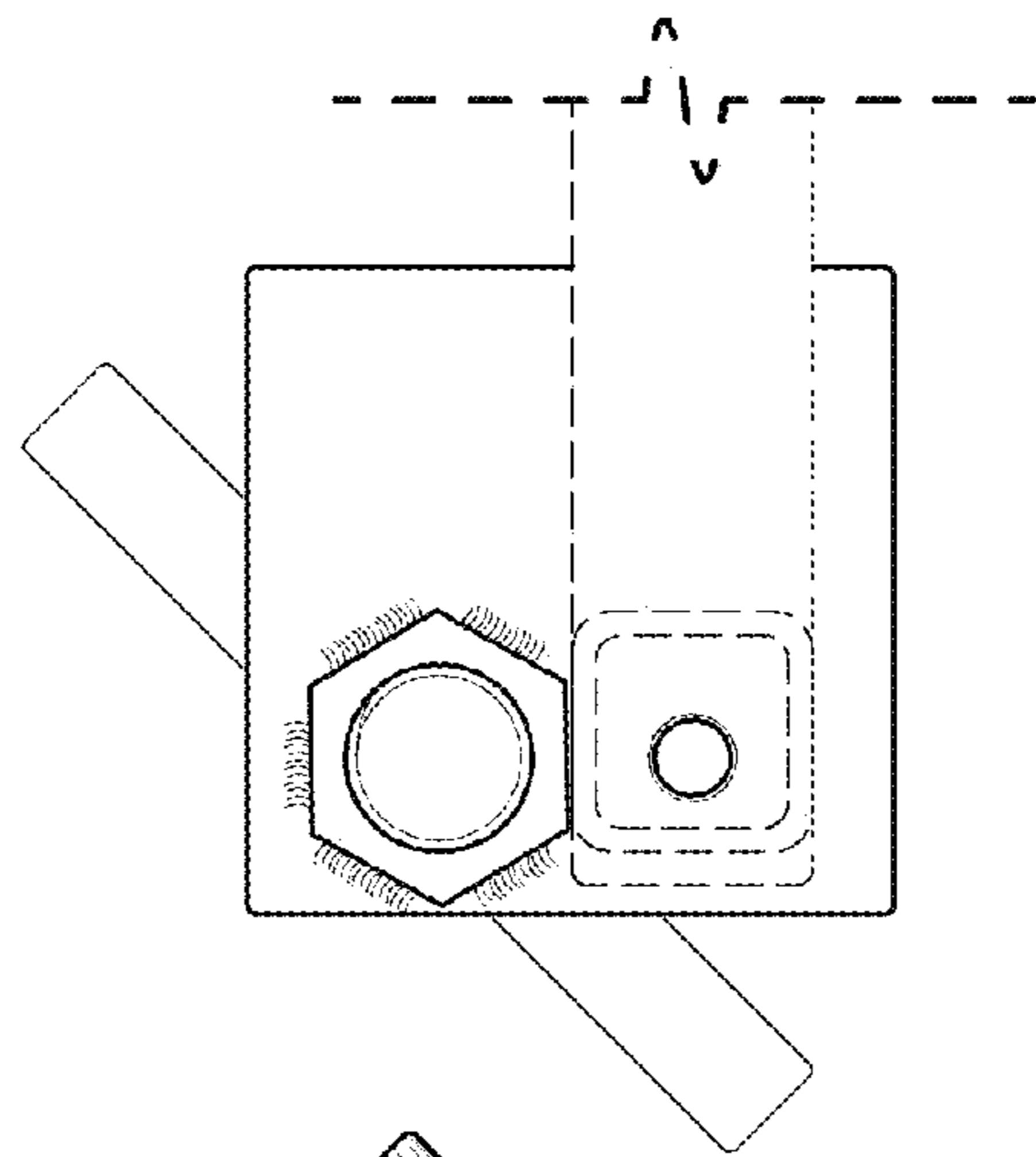


FIG. 5

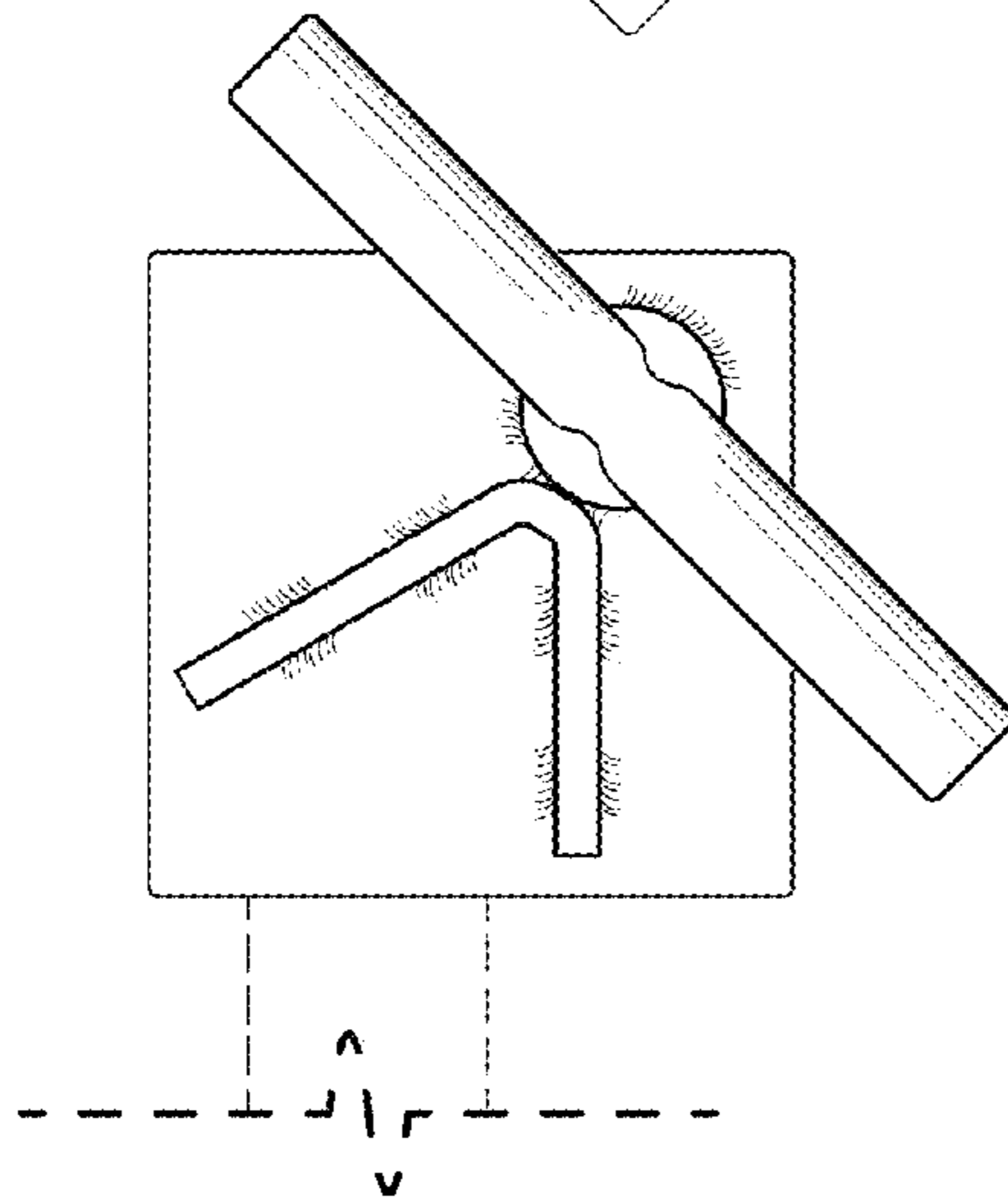


FIG. 4

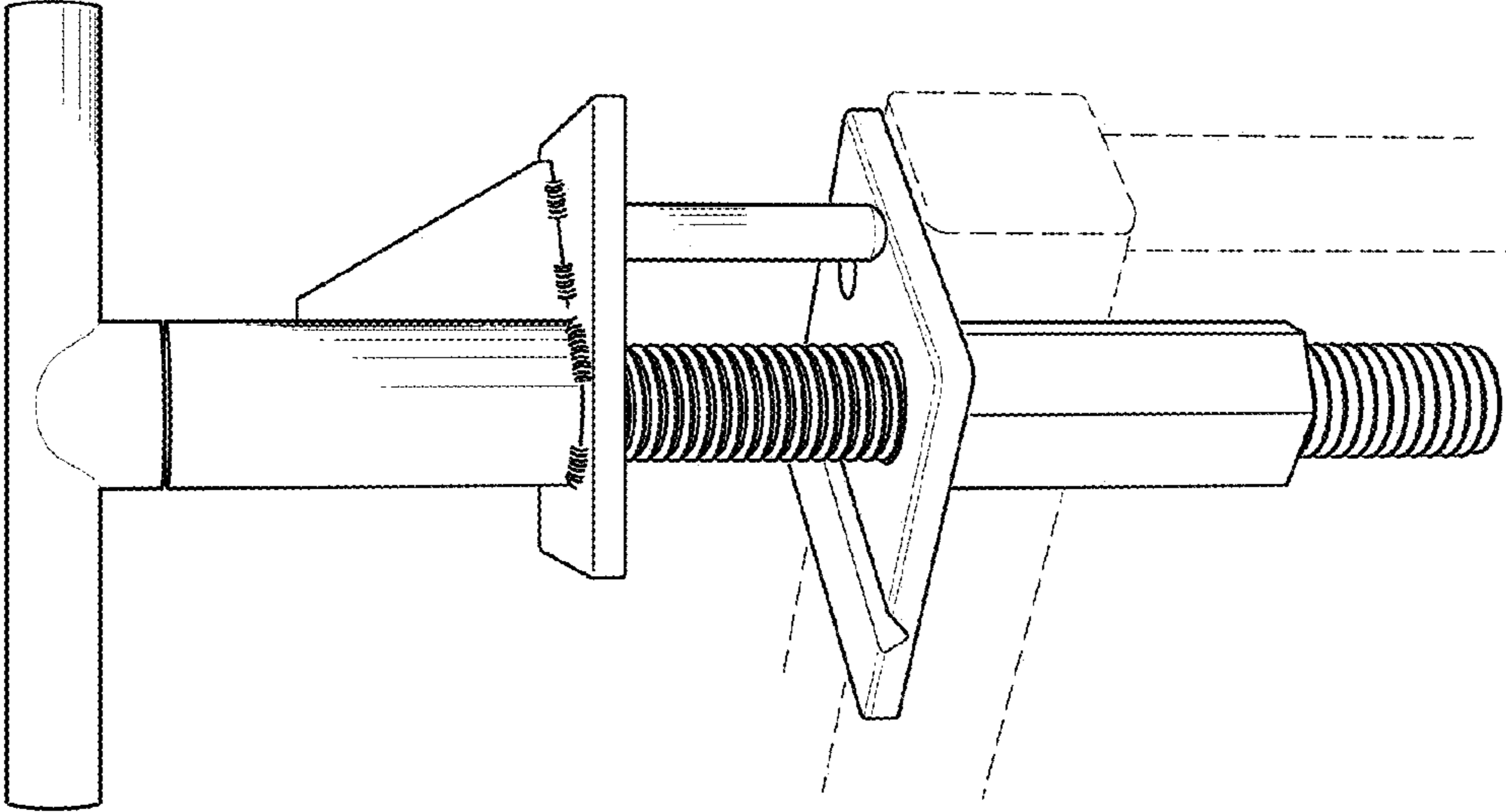


FIG. 7