



US00D749924S

(12) **United States Design Patent**  
**Chartier et al.**

(10) **Patent No.:** **US D749,924 S**

(45) **Date of Patent:** **\*\* Feb. 23, 2016**

(54) **WRENCH**

878,388 A 2/1908 Heimann  
917,440 A 4/1909 Hughes  
1,003,060 A 9/1911 Oliver

(Continued)

(71) Applicant: **Ridge Tool Company**, Elyria, OH (US)

(72) Inventors: **Glen R. Chartier**, Avon Lake, OH (US);  
**Jason J. Boggs**, South Amherst, OH  
(US); **Sandeep Sidagouda Patil**, Pune  
(IN)

FOREIGN PATENT DOCUMENTS

(73) Assignee: **RIDGE TOOL COMPANY**, Elyria, OH  
(US)

CN 2116561 2/1992  
CN 2150020 8/1992  
CN 2161425 5/1993  
CN 2181374 9/1993  
CN 1041180 1/1995  
CN 1139037 1/1995  
CN 2275013 5/1996  
CN 2271949 9/1996  
CN 2291258 5/1997  
CN 2356809 1/2000

(Continued)

(\*\*) Term: **14 Years**

(21) Appl. No.: **29/500,986**

(22) Filed: **Aug. 29, 2014**

OTHER PUBLICATIONS

(51) **LOC (10) CI.** ..... **08-05**

(52) **U.S. CI.**  
USPC ..... **D8/22**

International Search Report (ISR) and Written Opinion, PCT/  
US2013/066760, Mar. 18, 2014, 16 pages.

(Continued)

(58) **Field of Classification Search**  
USPC ..... D8/21-23, 82, 83, 88, 89, 107; 81/60,  
81/177.1, 177.85, 121.1, 124.3, 165-170,  
81/110.1, 176.2, 124.6, 176.1, 176.15,  
81/177.2, 133, 157, 173  
CPC ..... B25B 13/00; B25B 13/10; B25B 13/12;  
B25B 13/16

*Primary Examiner* — Randall Gholson

(74) *Attorney, Agent, or Firm* — Mark E. Bandy; Rankin,  
Hill & Clark LLP

See application file for complete search history.

(57) **CLAIM**

The ornamental design for a wrench, as shown and described.

**DESCRIPTION**

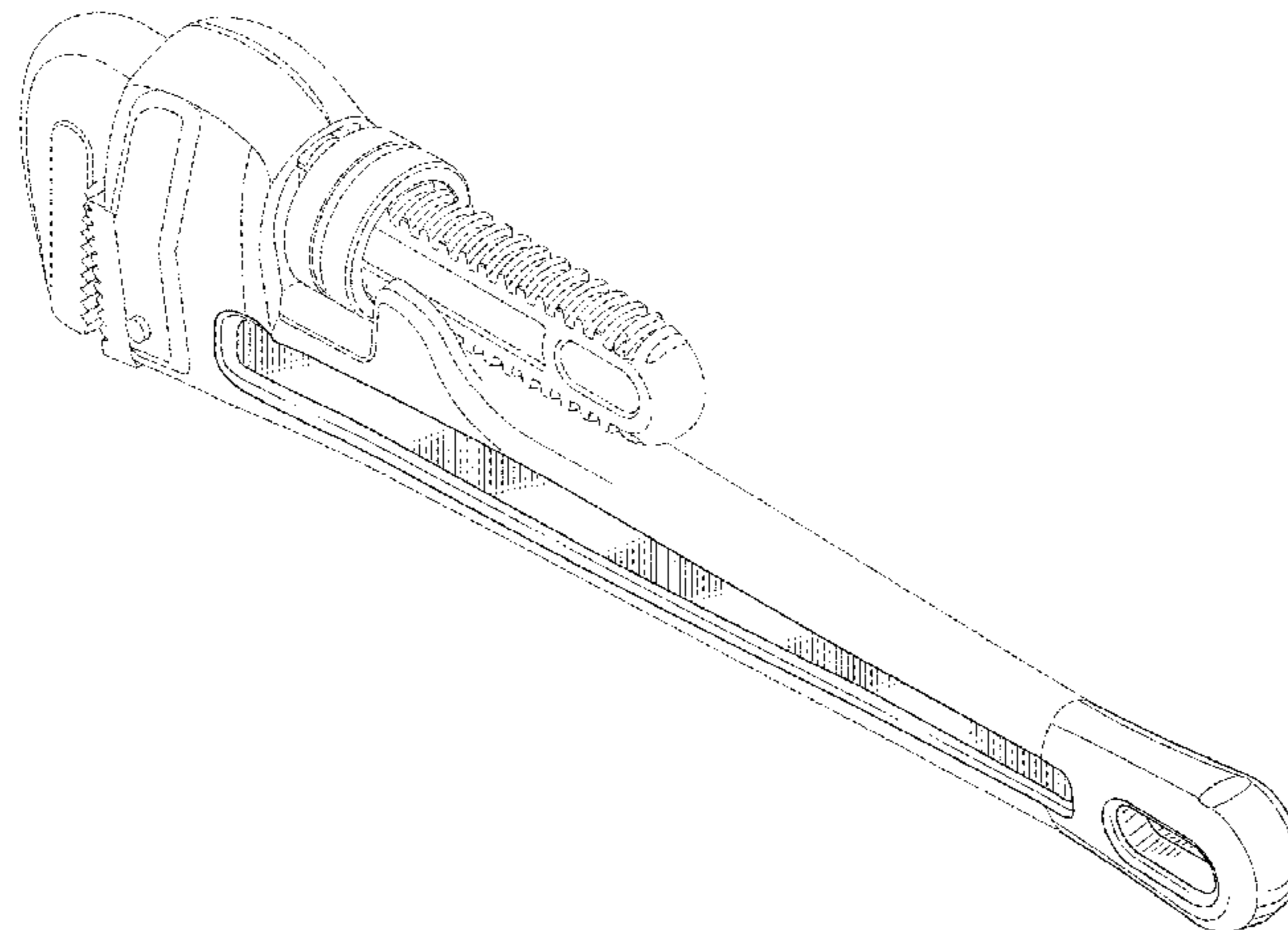
(56) **References Cited**

U.S. PATENT DOCUMENTS

379,123 A 3/1888 Parmelee  
590,853 A 9/1897 Parmelee  
608,202 A 8/1898 Kleckner  
626,401 A 6/1899 Wiegand  
648,706 A 5/1900 Parmelee  
701,237 A 5/1902 Wight  
747,612 A 12/1903 Jones  
791,814 A 6/1905 Pitzer  
807,258 A 12/1905 Foggan  
871,436 A 11/1907 Parmelee

FIG. 1 is a rear left perspective view of a wrench.  
FIG. 2 is a left side view of the wrench of FIG. 1.  
FIG. 3 is a right side view of the wrench of FIG. 1.  
FIG. 4 is a rear plan view of the wrench of FIG. 1.  
FIG. 5 is a front plan view of the wrench of FIG. 1.  
FIG. 6 is a top end view of the wrench of FIG. 1; and,  
FIG. 7 is a bottom end view of the wrench of FIG. 1.  
The dashed lines are for illustrative purposes only showing  
environmental subject matter and form no part of the claimed  
design.

**1 Claim, 7 Drawing Sheets**



(56)

References Cited

U.S. PATENT DOCUMENTS

1,004,792 A 10/1911 Bessolo  
 1,072,320 A 9/1913 Dunham  
 1,093,496 A 4/1914 Stringfellow  
 1,128,467 A 2/1915 Lewis  
 1,161,777 A 11/1915 La Rock  
 1,177,620 A 4/1916 Hardeman  
 1,310,995 A 7/1919 Langford  
 1,334,250 A 3/1920 Langford  
 1,380,513 A 6/1921 Zilen et al.  
 1,401,964 A 1/1922 Cromwell  
 1,454,016 A 5/1923 Steen  
 1,483,486 A 2/1924 Scott  
 1,544,807 A 7/1925 Childs  
 1,548,344 A 8/1925 Bessolo  
 1,556,169 A 10/1925 Smith  
 1,584,861 A 5/1926 Jones  
 1,593,000 A 7/1926 Wilson  
 1,718,719 A 6/1929 Turner  
 1,763,135 A 6/1930 Cox  
 2,047,506 A 7/1936 Hertel  
 2,122,104 A 6/1938 Martin  
 2,166,449 A 7/1939 Sharpe  
 2,209,988 A 8/1940 Matlock  
 2,278,439 A 4/1942 Grau et al.  
 2,291,620 A 8/1942 Grau  
 2,310,246 A 2/1943 Lundeen  
 2,329,181 A 9/1943 Boynton  
 2,339,760 A 1/1944 Boynton  
 2,423,326 A 7/1947 Jones  
 2,465,695 A 3/1949 Osborne  
 2,491,623 A 12/1949 Sesak  
 2,557,202 A 6/1951 Raymond et al.  
 2,594,684 A 4/1952 Rothe  
 2,637,236 A 5/1953 Vergnani et al.  
 2,967,446 A 1/1961 Martois  
 3,097,552 A 7/1963 Kelley  
 3,280,670 A \* 10/1966 Woodling ..... 81/177.1  
 3,669,850 A 6/1972 Draca  
 3,703,111 A 11/1972 Guier  
 3,832,918 A 9/1974 Lang et al.  
 3,858,467 A 1/1975 Evans  
 4,194,419 A 3/1980 Mitchhart et al.  
 4,403,801 A 9/1983 Huff et al.  
 4,485,702 A 12/1984 Swan et al.  
 4,712,284 A 12/1987 Coyle  
 4,714,289 A 12/1987 Arzenti et al.  
 4,759,239 A 7/1988 Hamilton et al.  
 4,893,528 A 1/1990 Chung-Hsing  
 4,903,555 A 2/1990 Howard  
 4,989,909 A 2/1991 Bouligny, Jr. et al.  
 5,094,132 A 3/1992 Engel  
 D326,038 S \* 5/1992 Murayama ..... D8/22  
 5,230,264 A 7/1993 Kindling  
 5,231,899 A 8/1993 Lee  
 5,287,777 A 2/1994 Kolodziej  
 5,435,214 A 7/1995 Sisson  
 5,452,886 A 9/1995 Cote et al.  
 5,535,647 A 7/1996 Donaldson  
 5,535,650 A 7/1996 McNatt  
 5,537,900 A 7/1996 Schaar  
 D382,181 S \* 8/1997 Wang ..... D8/51  
 5,653,297 A 8/1997 Whisenhunt  
 D390,764 S \* 2/1998 Boyd et al. .... D8/22  
 5,746,097 A 5/1998 McCann  
 5,768,958 A 6/1998 Gamble  
 5,791,206 A 8/1998 Daigle et al.  
 5,829,327 A 11/1998 Stanton  
 5,865,073 A 2/1999 Wilson et al.  
 5,927,159 A 7/1999 Yokoyama et al.  
 5,941,142 A 8/1999 Janson  
 5,996,444 A 12/1999 Pearce et al.  
 6,055,888 A 5/2000 Mitchell

6,116,118 A 9/2000 Wesch, Jr.  
 6,131,491 A 10/2000 Hirse  
 6,135,607 A 10/2000 Cook  
 6,202,516 B1 3/2001 Kim  
 6,341,543 B1 1/2002 Hsieh  
 6,349,621 B1 2/2002 Khachatoorain  
 6,378,399 B1 4/2002 Bangert  
 6,488,323 B1 12/2002 Bouligny  
 6,530,297 B2 3/2003 McCann  
 6,537,140 B1 3/2003 Miller et al.  
 D474,380 S \* 5/2003 Chartier et al. .... D8/23  
 6,568,301 B2 5/2003 Huang  
 D483,238 S \* 12/2003 Hsieh ..... D8/22  
 6,755,097 B2 6/2004 Bangert  
 D494,030 S \* 8/2004 Burry ..... D8/22  
 6,799,493 B2 10/2004 Wang  
 6,938,519 B2 9/2005 Boyd et al.  
 D511,279 S \* 11/2005 Albertson ..... D8/26  
 6,978,701 B1 12/2005 Buchanan  
 6,988,430 B1 1/2006 Putney et al.  
 7,036,397 B2 5/2006 Bangert  
 7,111,529 B2 9/2006 Pradelski  
 7,121,172 B1 10/2006 Daniels  
 7,197,964 B2 4/2007 Buchanan  
 D549,533 S \* 8/2007 Pond et al. .... D8/22  
 7,305,909 B2 12/2007 Bollinger  
 D571,172 S \* 6/2008 Yu ..... D8/22  
 D602,319 S \* 10/2009 Wu ..... D8/22  
 7,665,514 B2 2/2010 Patterson  
 7,913,589 B2 3/2011 Chen  
 D657,213 S \* 4/2012 Pond et al. .... D8/22  
 8,453,542 B2 6/2013 Gouws  
 2005/0188793 A1 9/2005 Cherry  
 2006/0207393 A1 9/2006 Stupar  
 2007/0256237 A1 11/2007 Mayer  
 2008/0034927 A1 2/2008 Adkins et al.  
 2010/0122608 A1 5/2010 Chen  
 2010/0146801 A1 6/2010 Pellenc  
 2010/0282033 A1 11/2010 Buchanan  
 2011/0138972 A1 6/2011 Wojick  
 2011/0203420 A1 8/2011 Riestra  
 2011/0209586 A1 9/2011 Wojick  
 2011/0232427 A1 9/2011 Streater

FOREIGN PATENT DOCUMENTS

CN 2657863 9/2003  
 CN 2656087 10/2003  
 CN 2685007 2/2004  
 CN 2782307 1/2005  
 CN 2770880 3/2005  
 CN 2923201 5/2006  
 CN 201046558 6/2006  
 CN 2930983 7/2006  
 CN 201098856 7/2007  
 CN 201115940 11/2007  
 CN 201342650 2/2009  
 CN 201744941 12/2009  
 CN 201632962 1/2010  
 CN 201659522 4/2010  
 CN 201856195 11/2010  
 CN 202344440 9/2011  
 CN 202377960 12/2011  
 WO 2009093763 1/2008  
 WO 2011089297 1/2010

OTHER PUBLICATIONS

International Search Report (ISR) and Written Opinion, PCT/US2013/052220, Dec. 19, 2013 (11 pages).  
 "Raprench Wrenches"; RIDGID; www.ridgid.com; Aug. 27, 2014; p. 1-3.  
 "Straight Pipe Wrenches"; RIDGID; www.ridgid.com; Aug. 27, 2014; p. 1-3.

\* cited by examiner

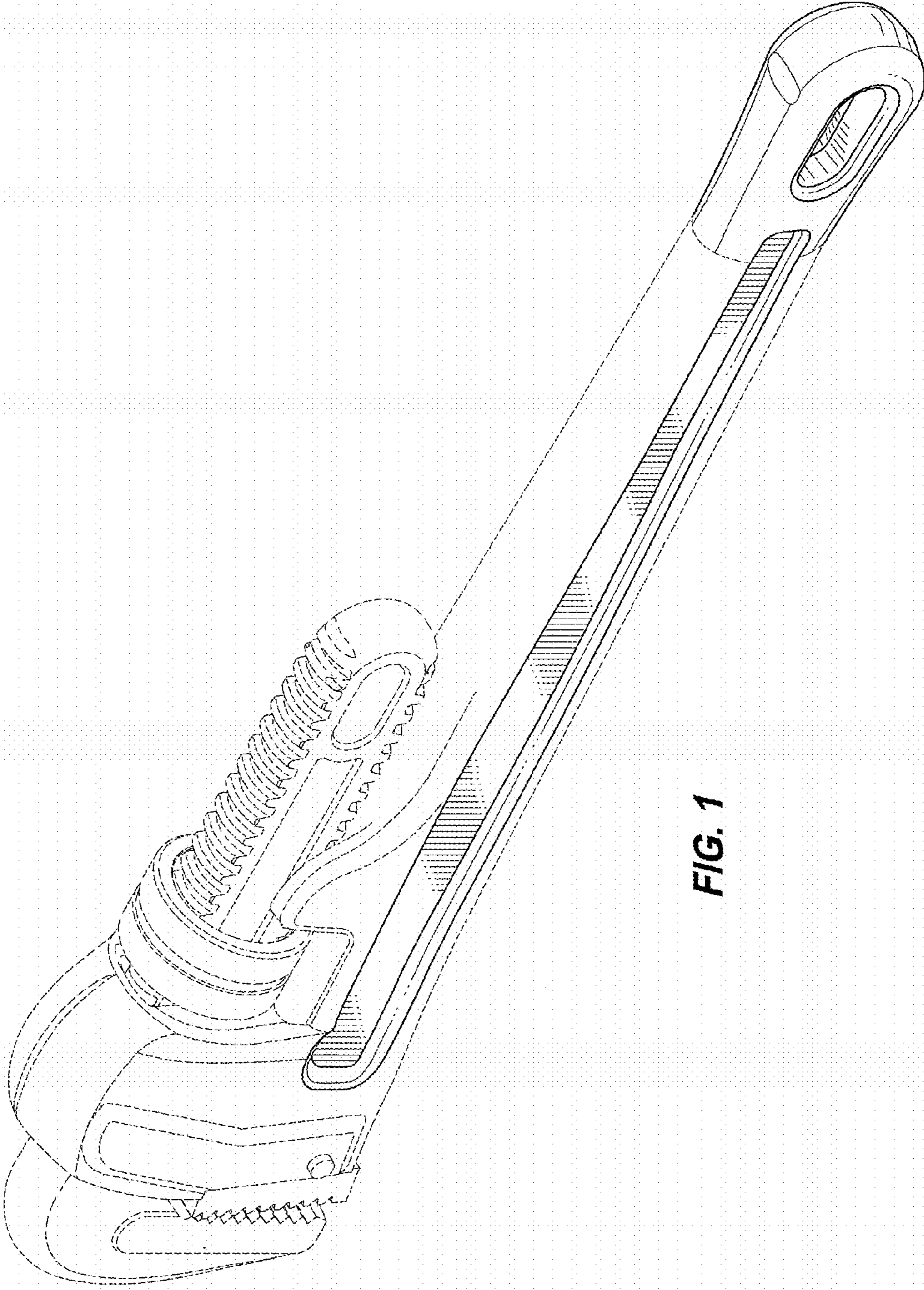


FIG. 1

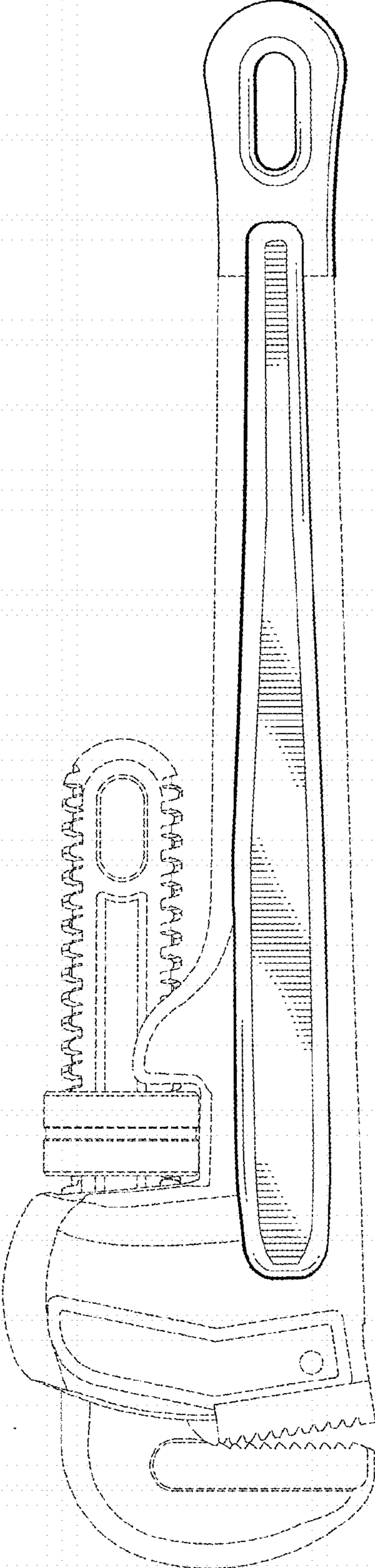


FIG. 2

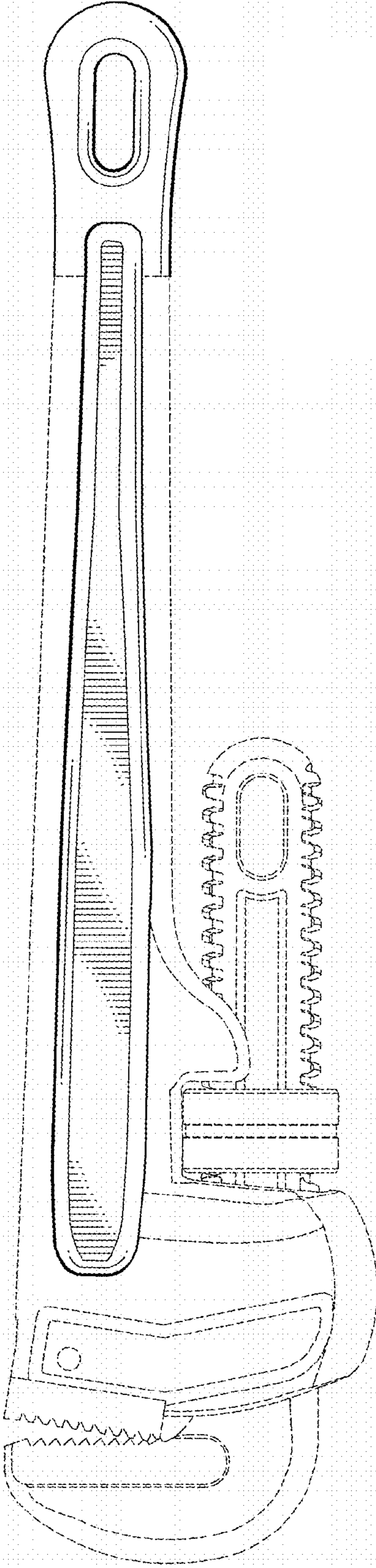
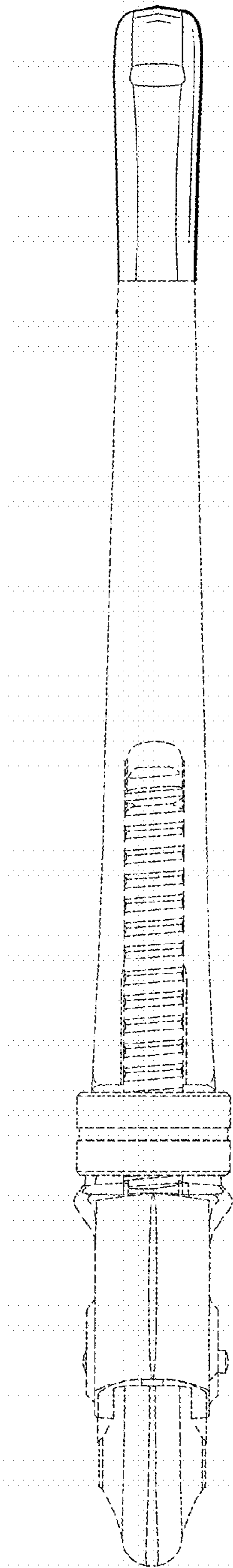


FIG. 3



**FIG. 4**

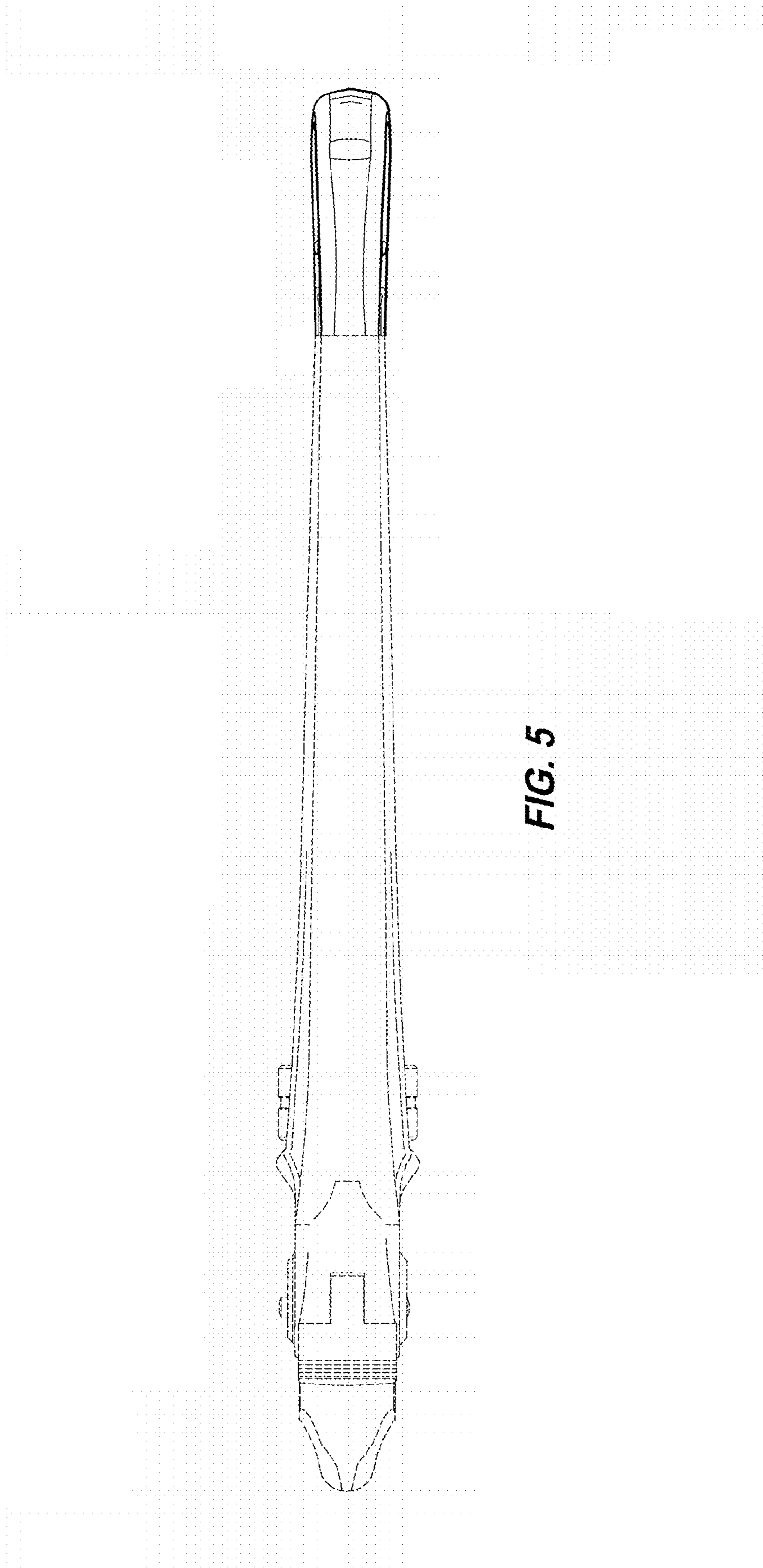
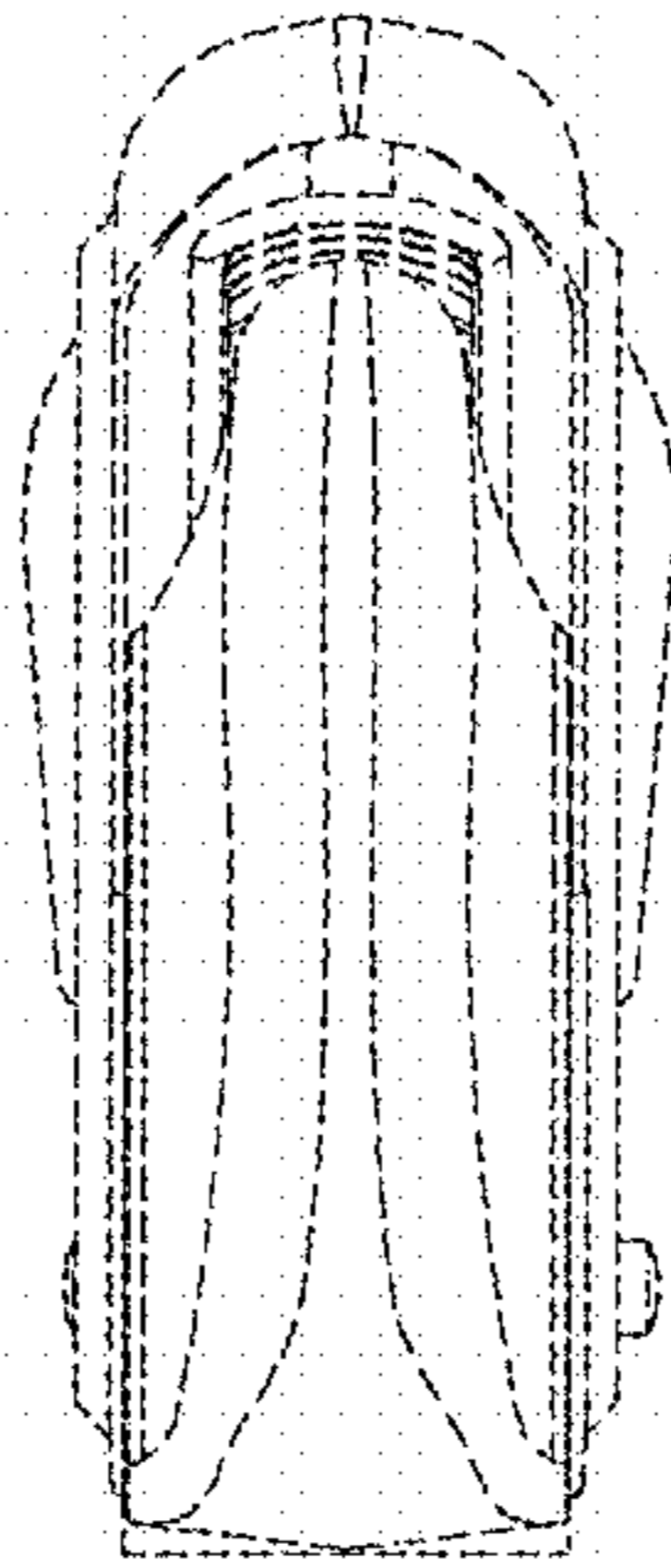
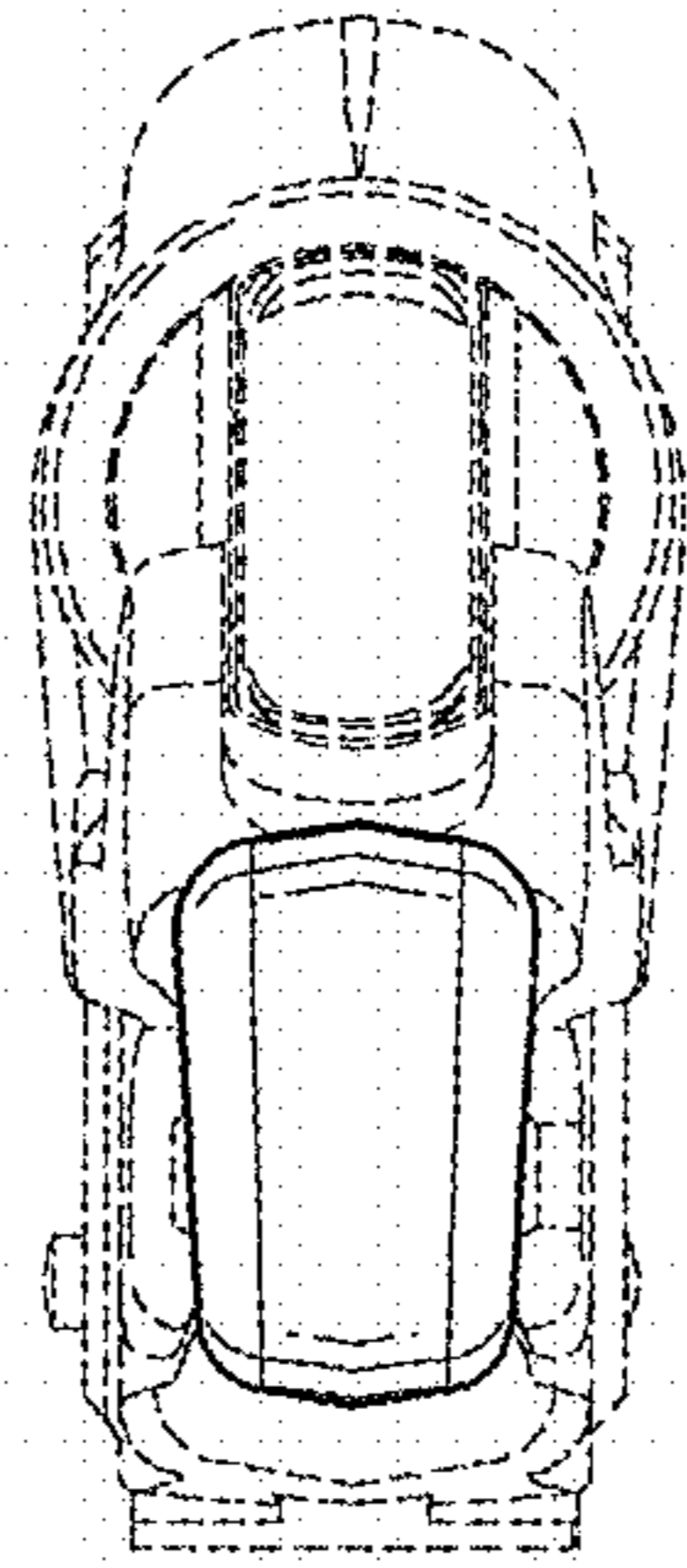


FIG. 5



**FIG. 6**





**FIG. 7**