



US00D749918S

(12) **United States Design Patent**
McGuyer

(10) **Patent No.:** **US D749,918 S**

(45) **Date of Patent:** **** Feb. 23, 2016**

(54) **CULINARY TOOL**

(71) Applicant: **Grace Manufacturing, Inc.,**
Russellville, AR (US)

(72) Inventor: **Carter W. McGuyer,** Tuscumbia, AL
(US)

(73) Assignee: **Grace Manufacturing, Inc.,**
Russellville, AR (US)

5,302,234 A	4/1994	Grace et al.
D351,973 S	11/1994	Chak
D387,630 S	12/1997	Laib
D389,019 S	1/1998	Molo
5,803,378 A *	9/1998	Wolters A47J 43/255 241/100

5,947,016 A	9/1999	Repac et al.
5,981,895 A	11/1999	Grace et al.
D419,039 S	1/2000	Rimback
D419,040 S	1/2000	Rimback
6,129,234 A	10/2000	Culig et al.

(Continued)

(**) Term: **14 Years**

OTHER PUBLICATIONS

(21) Appl. No.: **29/502,665**

Microplane Ultimate Citrus Tool.

(Continued)

(22) Filed: **Sep. 18, 2014**

(51) **LOC (10) Cl.** **07-04**

(52) **U.S. Cl.**
USPC **D7/678; D7/693**

(58) **Field of Classification Search**
USPC D7/678, 679, 381-385, 412, 672-677
CPC B26B 27/00; A47J 43/255; A47J 19/06;
A47J 43/25; A47J 43/00; A47J 17/02
See application file for complete search history.

Primary Examiner — Terry Wallace

(74) *Attorney, Agent, or Firm* — Warner Norcross & Judd
LLP

(57) **CLAIM**

I claim the ornamental design for culinary tool, as shown and described.

DESCRIPTION

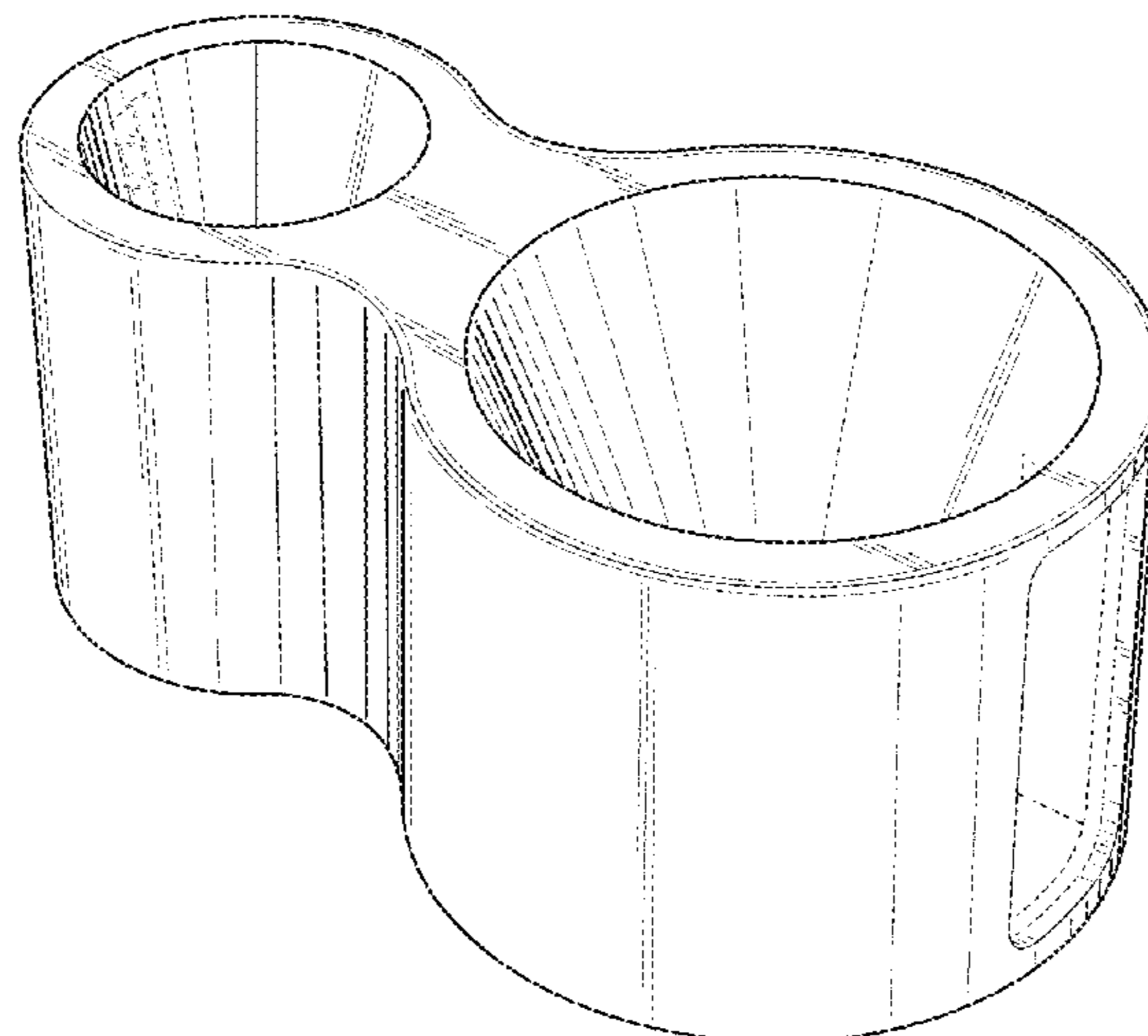
FIG. 1 is a front, top perspective view of the culinary tool embodying the new design;
FIG. 2 is a front view thereof, the rear view being a mirror image thereof;
FIG. 3 is a top view thereof;
FIG. 4 is a bottom view thereof;
FIG. 5 is a right side view thereof; and,
FIG. 6 is a left side view thereof.
FIGS. 1-6 show features of a culinary tool in phantom lines. These features are shown for environmental purposes and do not form any part of the claimed design. Further, the phantom lines immediately adjacent the solid-line portions of the design form the boundary of the design, with the phantom lines forming no part of the claimed design.

(56) **References Cited**

U.S. PATENT DOCUMENTS

612,924 A	10/1898	Grenier
1,160,043 A	11/1915	Clark
D49,638 S	5/1916	Barlow et al.
2,181,674 A	11/1939	Truesdale
2,271,175 A *	1/1942	Mantelet A47J 43/255 241/280
2,312,940 A	3/1943	Truesdale
2,661,039 A	12/1953	Davis et al.
2,737,721 A	3/1956	Hart
3,940,842 A *	3/1976	Perrinelle B26B 27/00 30/278
D253,219 S	10/1979	Meyer
4,644,838 A	2/1987	Samson et al.
4,704,959 A	11/1987	Scallen
5,101,720 A	4/1992	Bianchi
5,271,317 A	12/1993	Aguerrevere et al.

1 Claim, 2 Drawing Sheets



(56)

References Cited

U.S. PATENT DOCUMENTS

6,168,600 B1 1/2001 Grace et al.
 6,209,439 B1 4/2001 Repac et al.
 D446,697 S 8/2001 Bodum
 6,318,652 B1 11/2001 Liu
 D451,350 S 12/2001 Spalding et al.
 D458,519 S 6/2002 Tse
 6,401,605 B1 6/2002 Repac et al.
 6,409,107 B1 6/2002 Romano
 D465,700 S 11/2002 Wong et al.
 6,505,536 B2 1/2003 Wilhelm
 D475,584 S 6/2003 Bachman et al.
 D478,254 S 8/2003 Chau
 D488,361 S * 4/2004 Bertulis D7/693
 6,766,972 B1 7/2004 Prommel et al.
 D494,026 S 8/2004 Brousseau et al.
 6,805,032 B2 10/2004 Engdahl
 6,860,441 B2 3/2005 Richardson
 D511,946 S 11/2005 Overthun et al.
 6,974,098 B2 12/2005 Keller
 D517,871 S * 3/2006 Takayama D7/678
 D517,873 S * 3/2006 So D7/678
 7,017,843 B2 3/2006 Romano
 D518,689 S 4/2006 McGuyer
 7,086,155 B2 8/2006 Chan et al.
 7,137,581 B2 * 11/2006 Takayama A47J 43/255
 241/169.1
 7,150,214 B2 12/2006 Repac et al.
 D543,422 S 5/2007 Kaposi
 D546,638 S 7/2007 Kaposi
 D548,022 S 8/2007 Kaposi
 7,293,588 B2 11/2007 Dawson et al.
 7,299,747 B2 11/2007 So
 D568,118 S 5/2008 Chalfant et al.

D569,200 S 5/2008 Chalfant et al.
 D577,552 S 9/2008 Chalfant et al.
 D578,839 S 10/2008 McGuyer et al.
 7,461,803 B2 12/2008 Boemer
 D593,819 S 6/2009 McGuyer et al.
 D608,604 S 1/2010 Griffith
 7,648,092 B2 1/2010 Wong et al.
 D614,460 S 4/2010 Grace et al.
 D625,969 S 10/2010 McGuyer et al.
 D627,609 S 11/2010 McGuyer et al.
 8,046,921 B2 11/2011 Mastroianni
 D658,005 S 4/2012 Haggerty et al.
 D660,099 S 5/2012 McGuyer
 D660,100 S 5/2012 McGuyer
 D668,912 S 10/2012 Haggerty et al.
 D670,544 S 11/2012 Junker et al.
 8,322,277 B2 12/2012 Griffith
 D680,373 S 4/2013 Haggerty et al.
 D680,820 S 4/2013 McGuyer
 8,534,190 B2 9/2013 Ericsson et al.
 D699,507 S 2/2014 Schmidt et al.
 D699,523 S 2/2014 McGuyer et al.
 2003/0035693 A1 2/2003 Chalfant
 2004/0055437 A1 3/2004 Engdahl
 2004/0247403 A1 12/2004 Grace et al.
 2005/0178262 A1 8/2005 Repac et al.
 2009/0025575 A1 1/2009 Lazaroff
 2009/0272281 A1 11/2009 Hood et al.
 2010/0012758 A1 1/2010 Chalfant et al.
 2010/0145342 A1 6/2010 Grace et al.
 2010/0270406 A1 10/2010 Grace et al.
 2013/0092771 A1 4/2013 Cotter et al.

OTHER PUBLICATIONS

Microplane Zester.

* cited by examiner

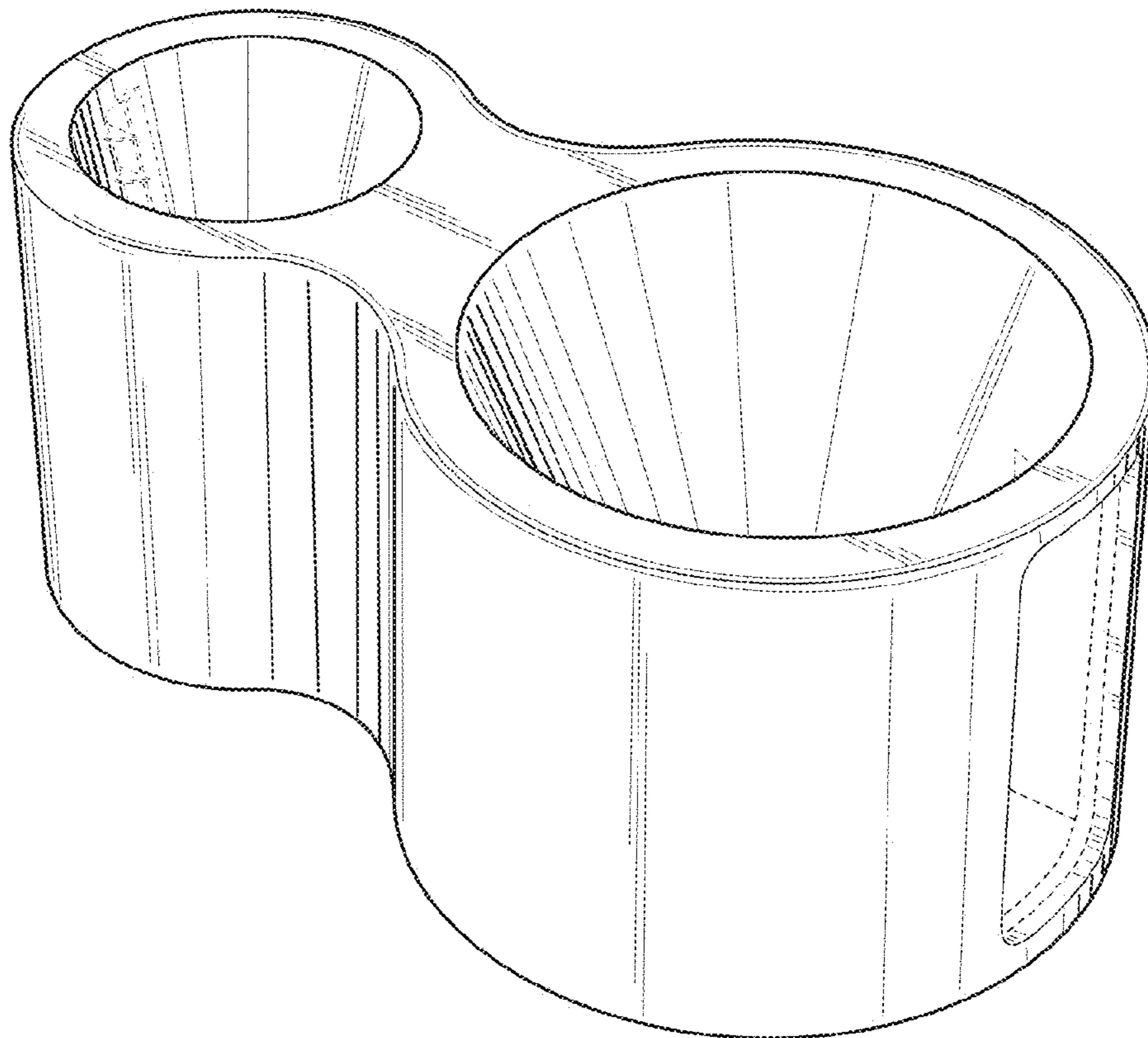


Fig. 1

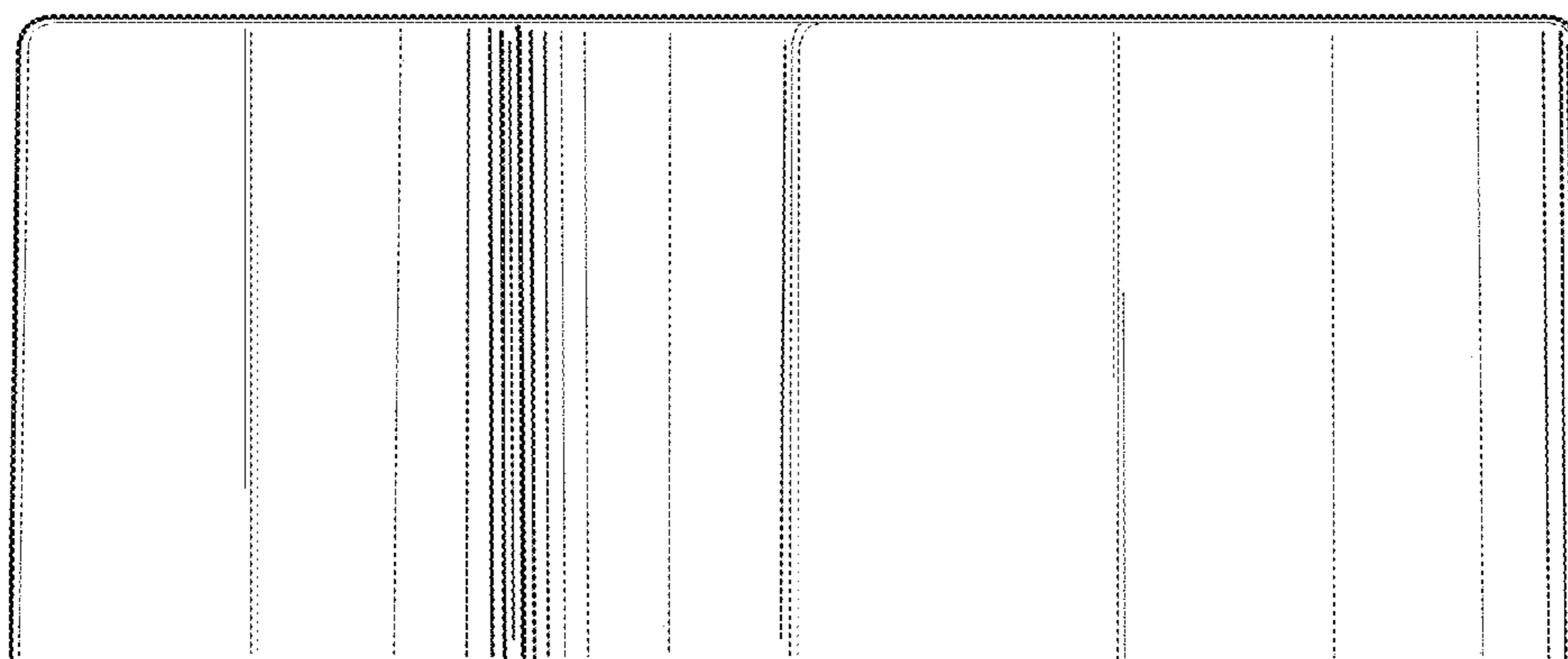


Fig. 2

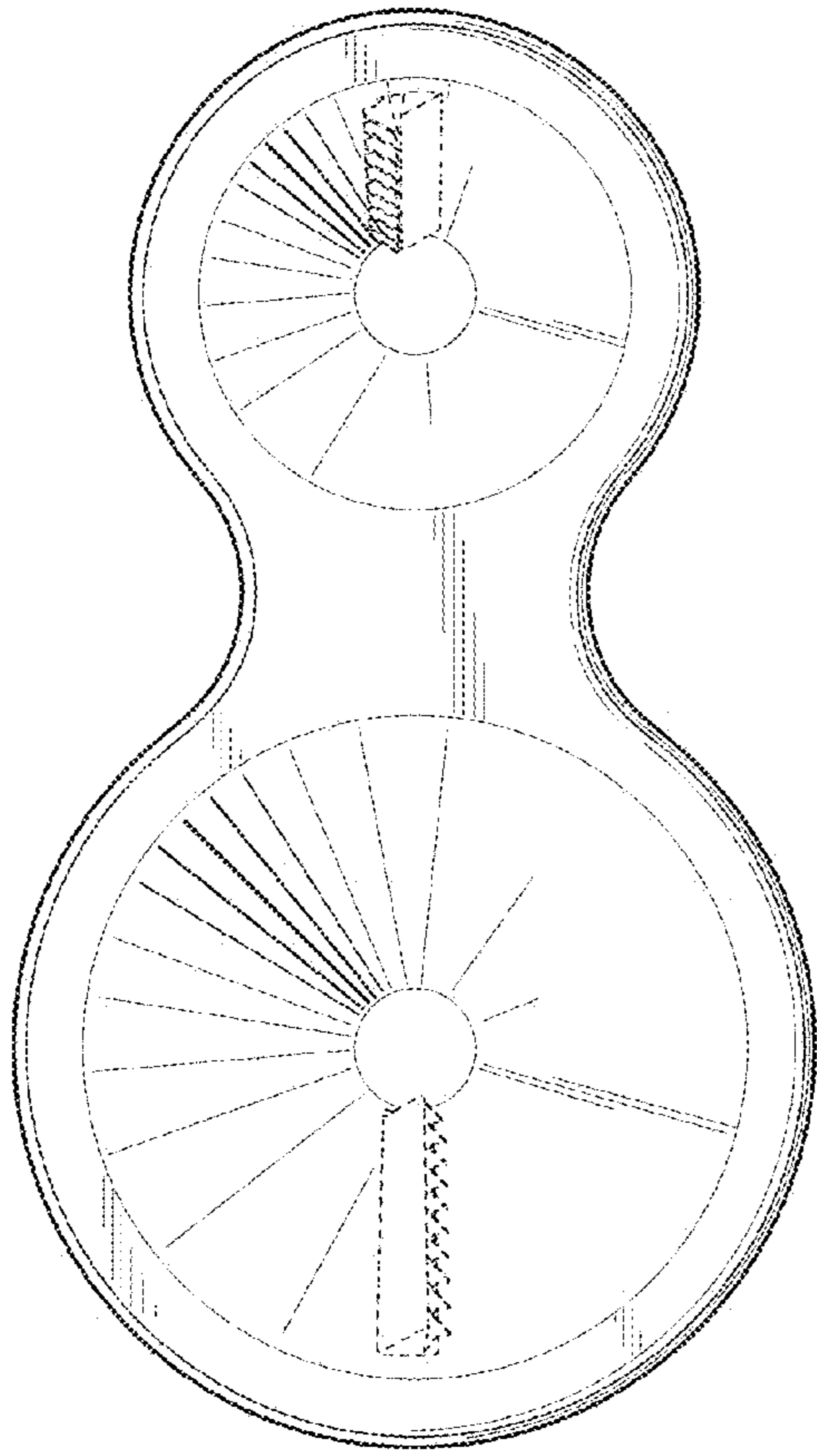


Fig. 3

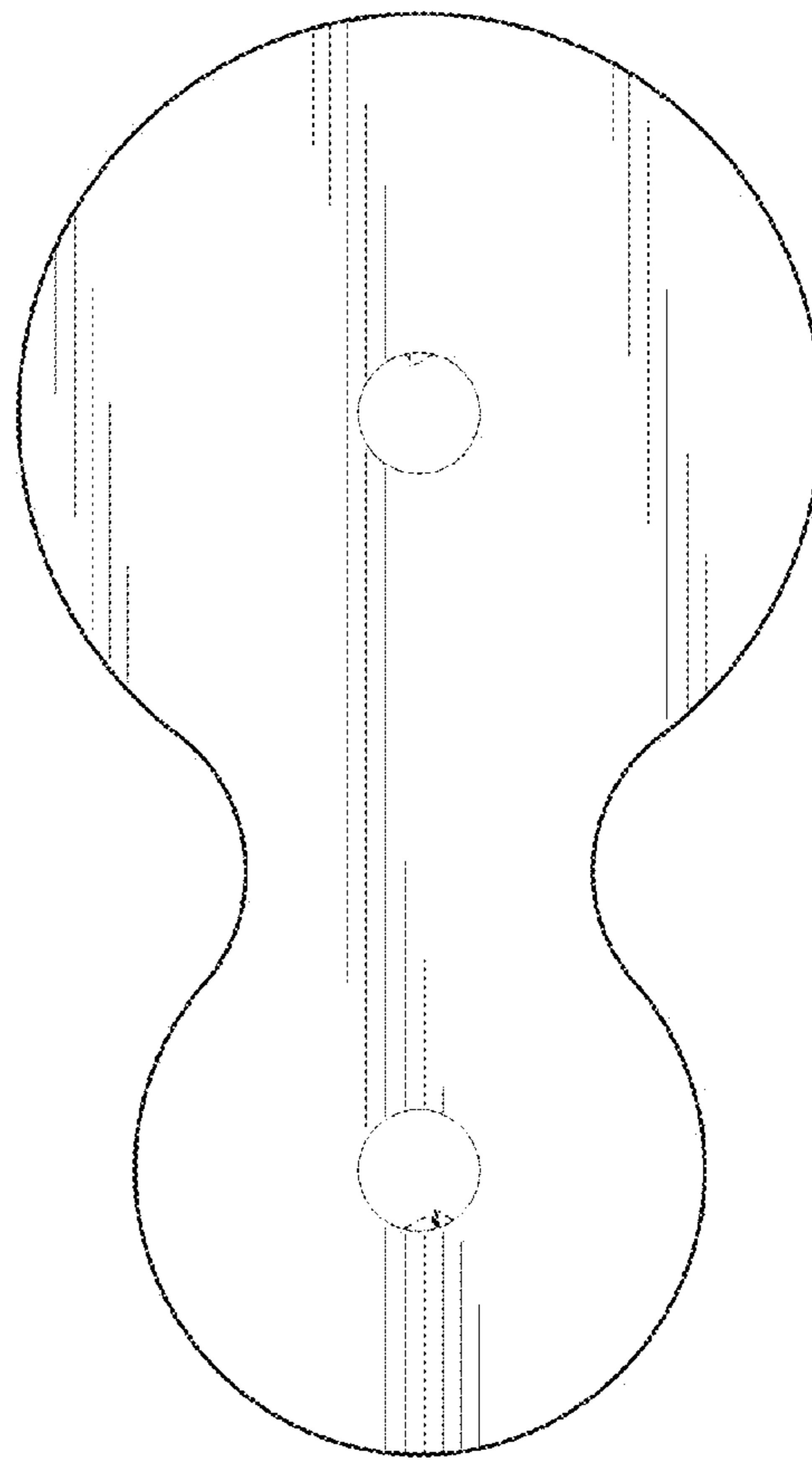


Fig. 4

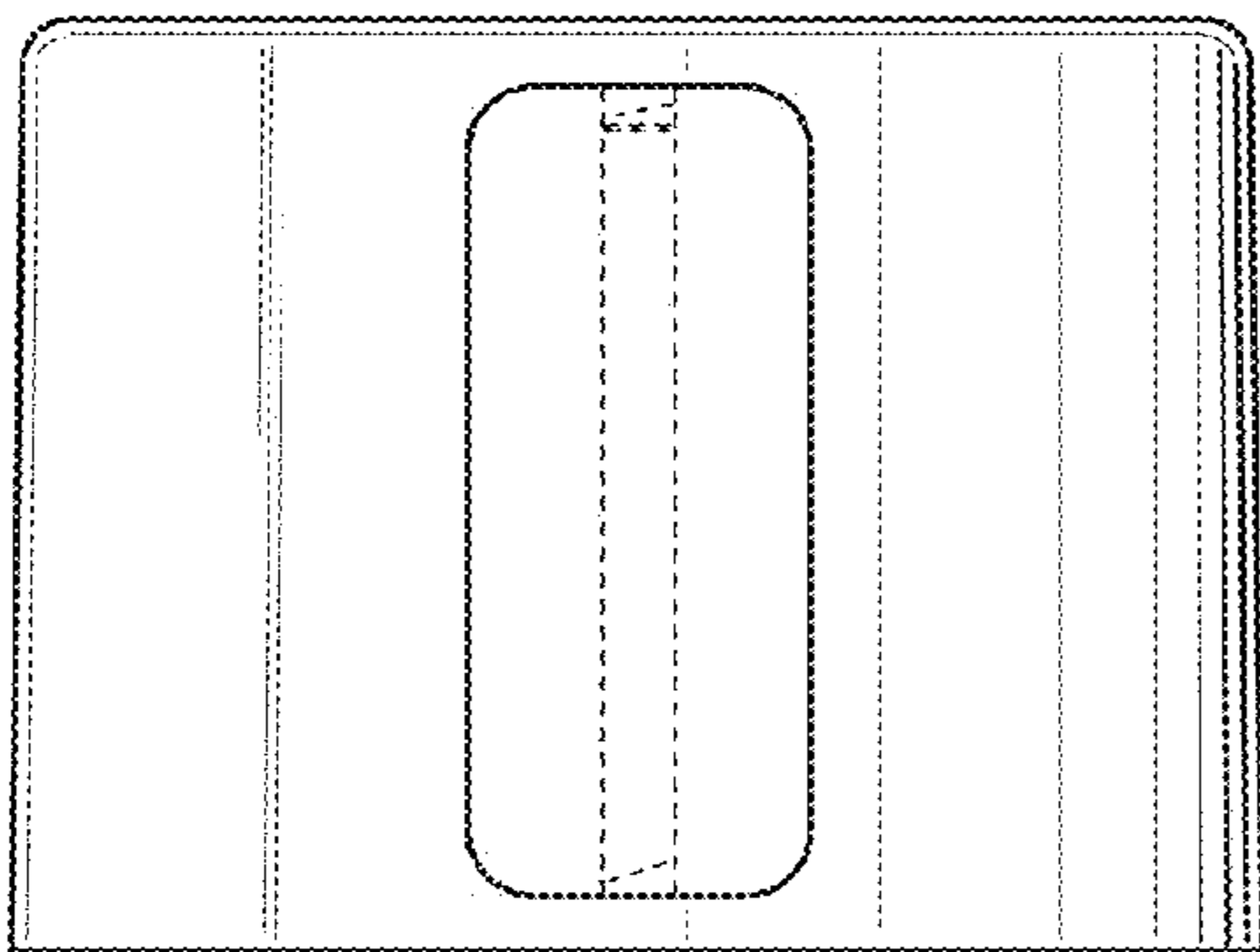


Fig. 5

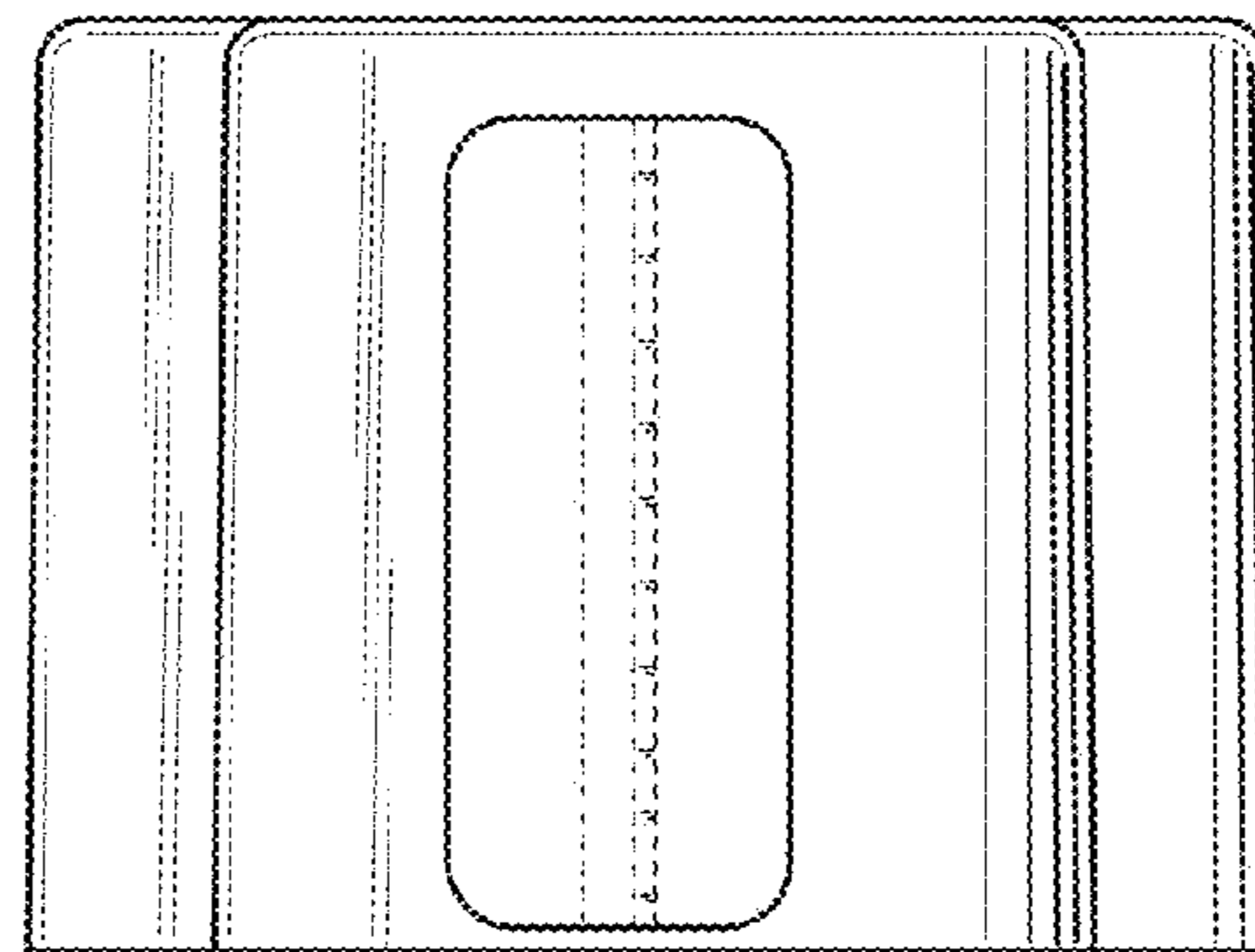


Fig. 6