



US00D749917S

(12) **United States Design Patent**
Roberts et al.

(10) **Patent No.:** **US D749,917 S**

(45) **Date of Patent:** **** Feb. 23, 2016**

(54) **SLICING TOOL**

2009/0205514 A1* 8/2009 Cheng 99/565
2009/0241344 A1* 10/2009 Mastroianni 30/114

(71) Applicant: **Fiskars Brands, Inc.**, Madison, WI (US)

* cited by examiner

(72) Inventors: **Colin Roberts**, Stevens Point, WI (US);
Stephen P. Dechant, Lodi, WI (US);
Andrew P. Block, Madison, WI (US)

Primary Examiner — Terry Wallace

(74) *Attorney, Agent, or Firm* — Foley & Lardner LLP

(73) Assignee: **Fiskars Brands, Inc.**, Madison, WI (US)

(**) Term: **14 Years**

(57) **CLAIM**

We claim the ornamental design for a slicing tool, as shown and described.

(21) Appl. No.: **29/486,653**

(22) Filed: **Apr. 1, 2014**

(51) **LOC (10) Cl.** **07-04**

(52) **U.S. Cl.**

USPC **D7/673**

(58) **Field of Classification Search**

USPC D7/672–678, 669; 99/537, 552, 547,
99/565, 538, 509, 430, 556; 30/114, 152,
30/301–305, 314–316, 312, 337, 320,
30/113.1, 123.5; 83/857, 581.1, 30, 13,
83/932, 404.3, 662, 435.15, 856, 837, 451,
83/569, 431

CPC B26D 3/26; B26D 3/24
See application file for complete search history.

DESCRIPTION

FIG. 1 is a front isometric view of a slicing tool;

FIG. 2 is a rear isometric view thereof;

FIG. 3 is a top plan view thereof;

FIG. 4 is a bottom plan view thereof;

FIG. 5 is a right side elevational view thereof;

FIG. 6 is a left side elevational view thereof;

FIG. 7 is a front elevational view thereof; and,

FIG. 8 is a rear elevational view thereof.

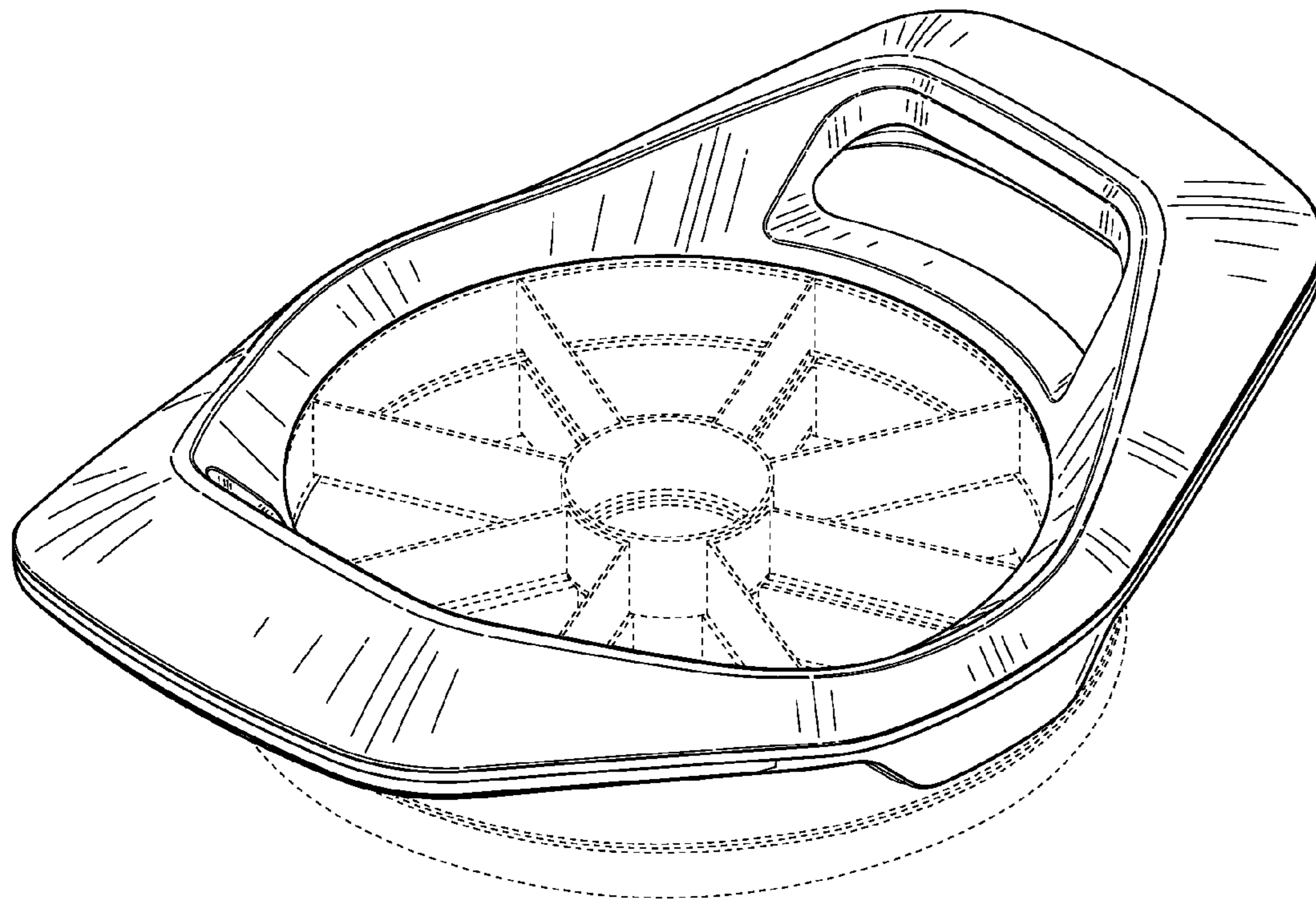
The ornamental design which is claimed is shown in solid lines in the drawings. The broken lines in the drawings are for illustrative purposes only and show unclaimed portions of the claimed design.

(56) **References Cited**

U.S. PATENT DOCUMENTS

D648,989 S * 11/2011 Coursey et al. D7/673

1 Claim, 8 Drawing Sheets



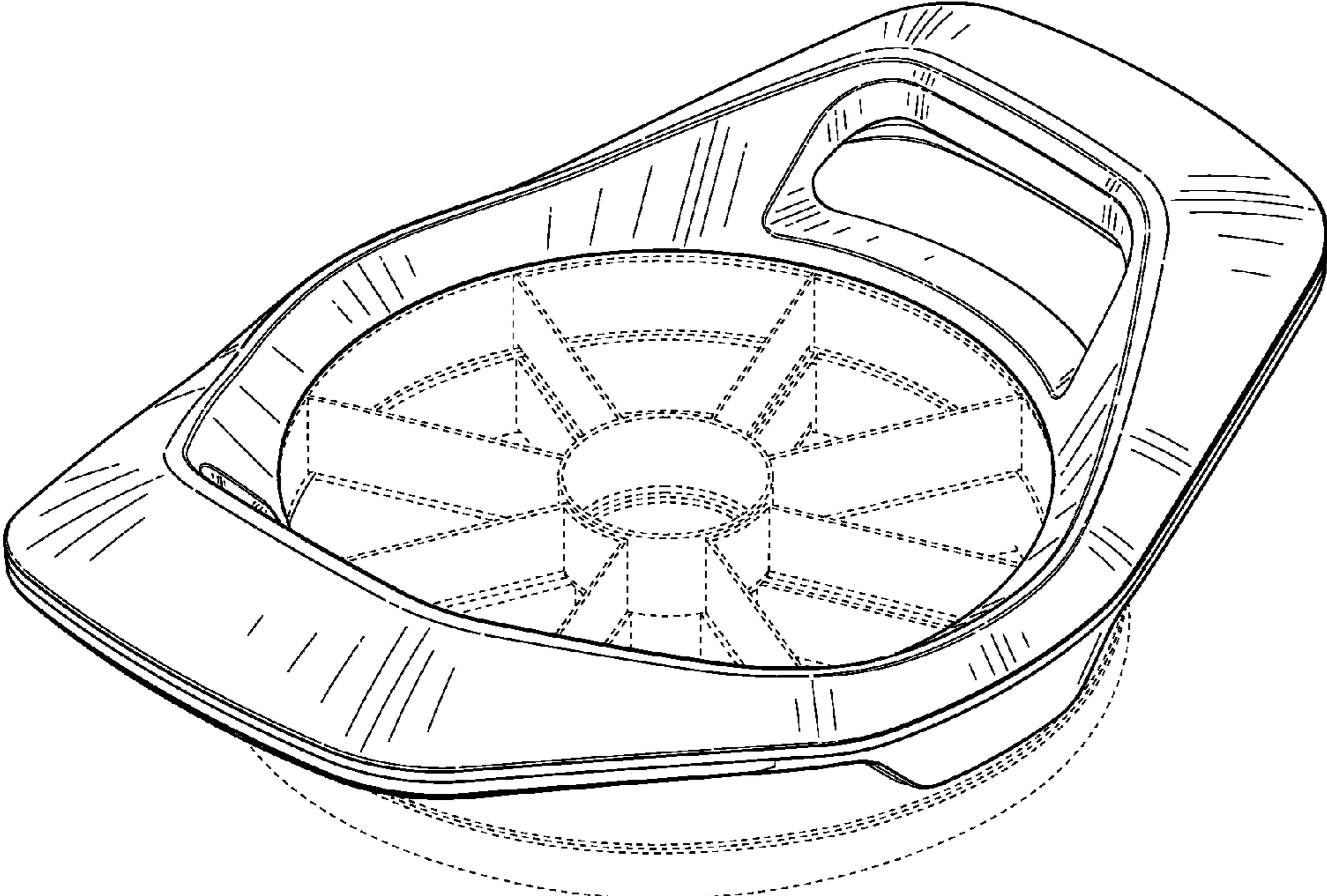


FIG. 1

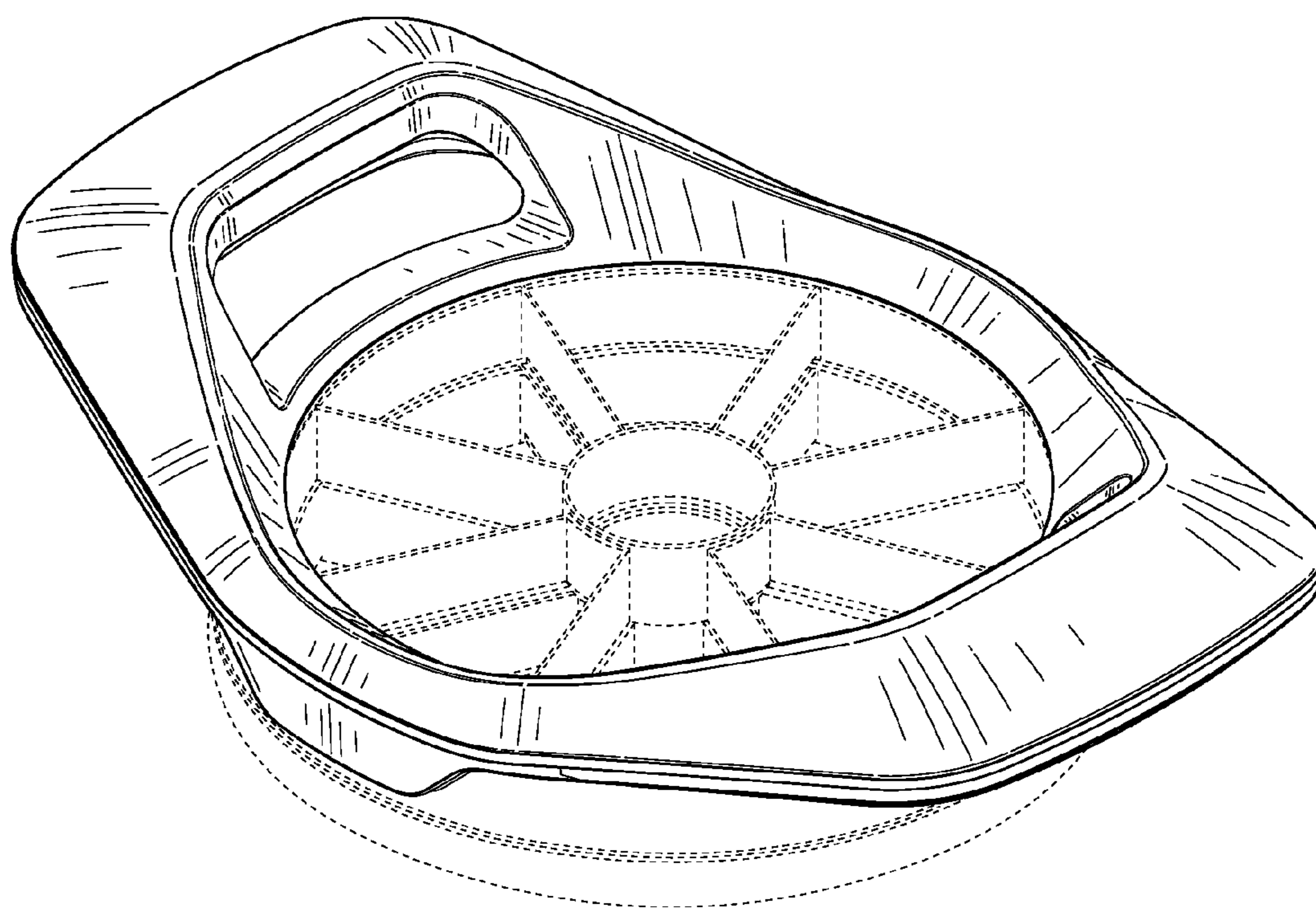


FIG. 2

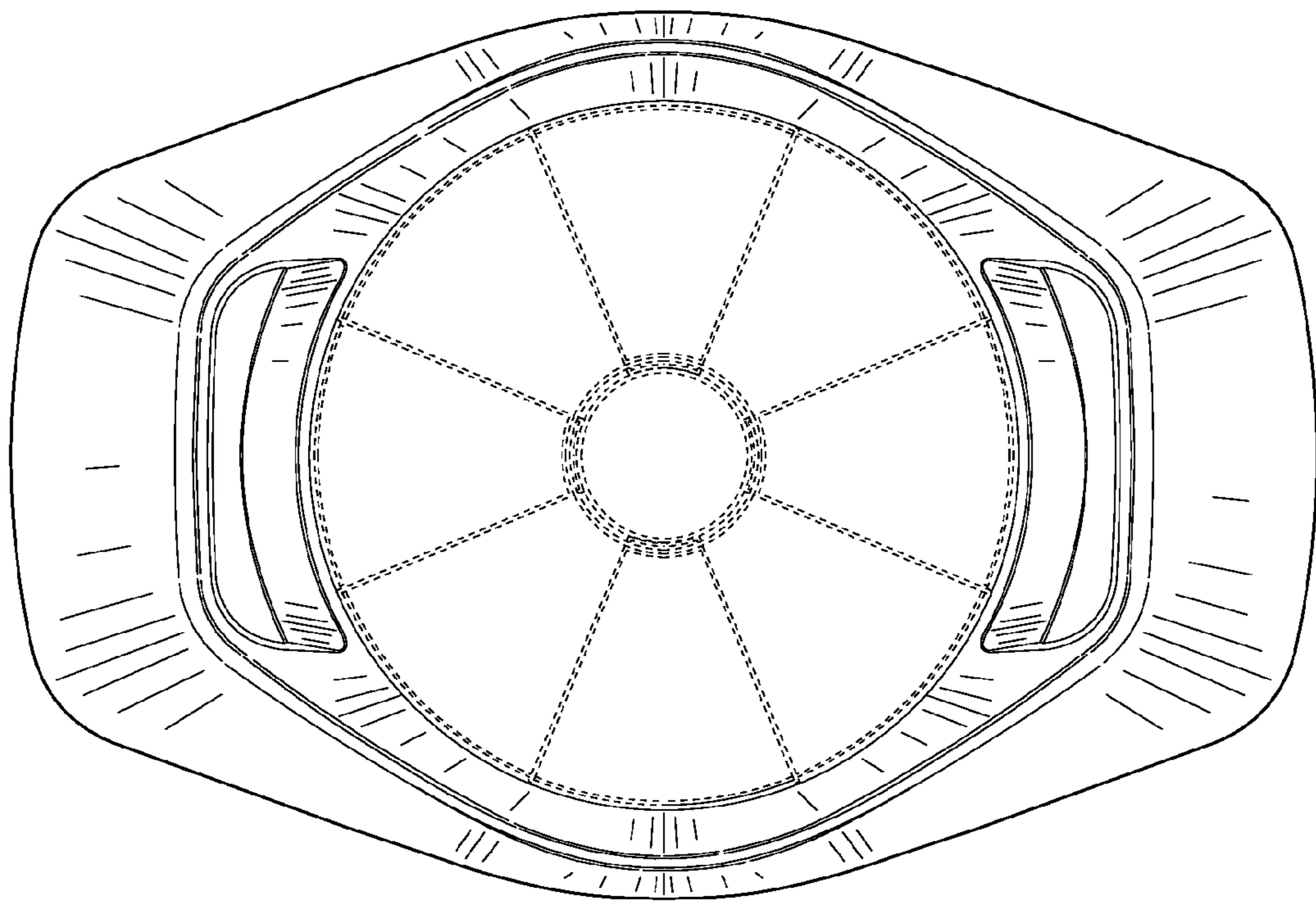


FIG. 3

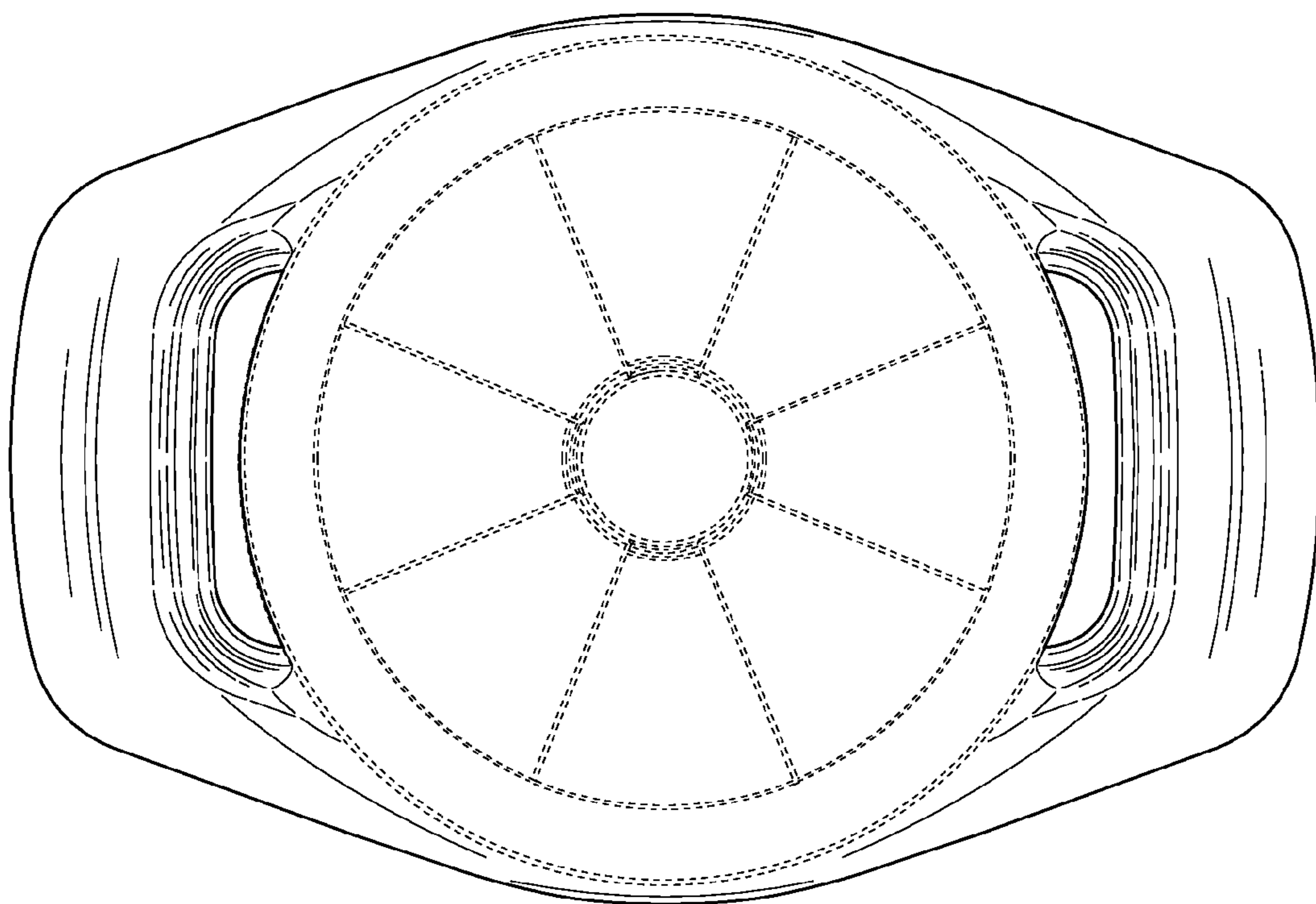


FIG. 4

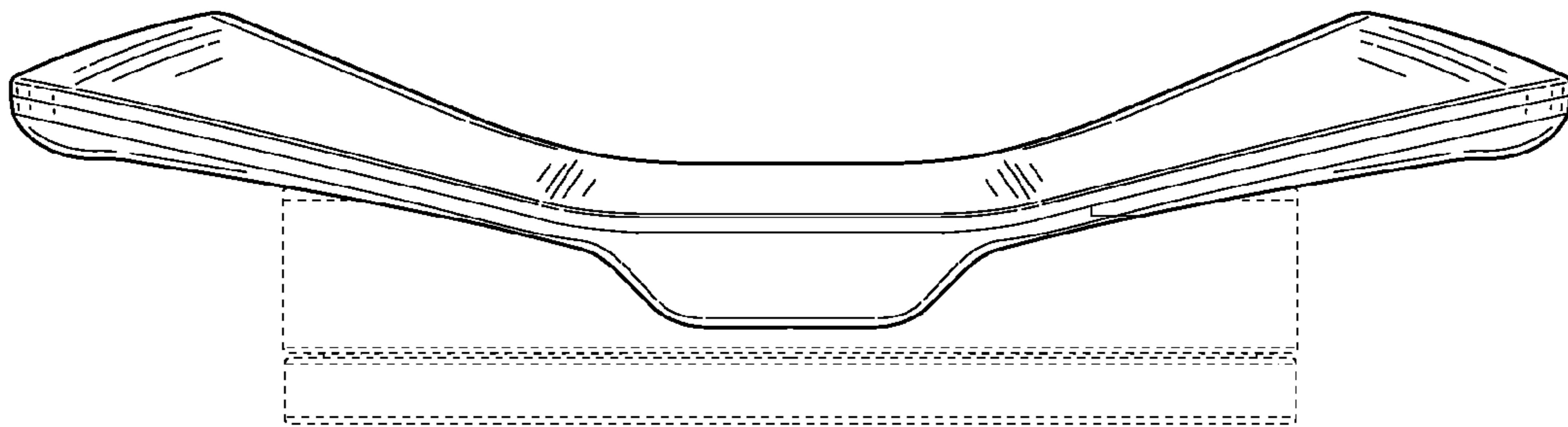


FIG. 5

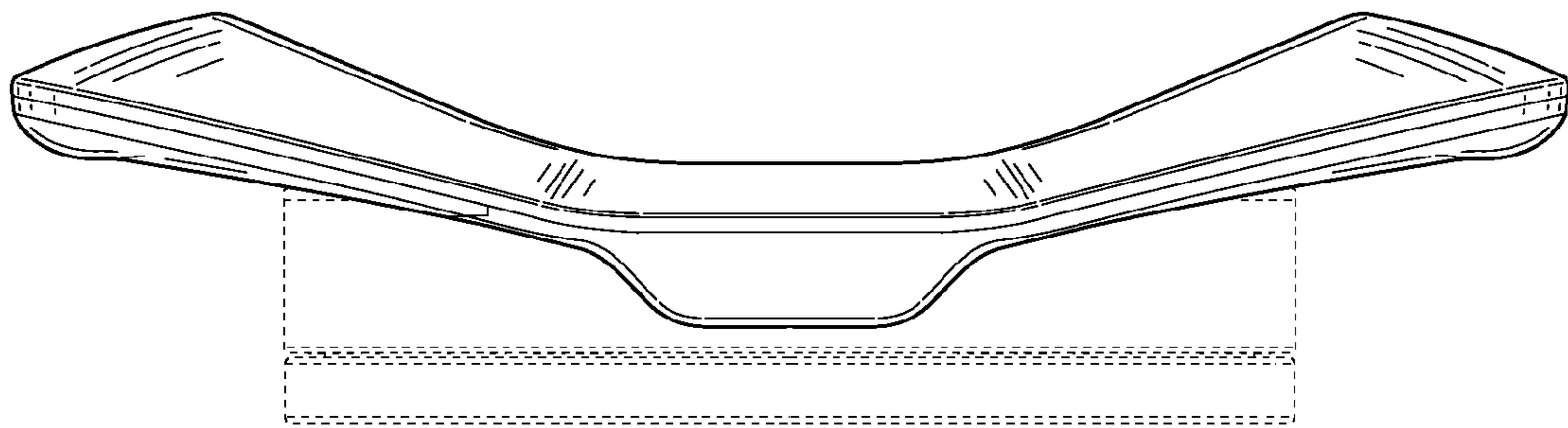


FIG. 6

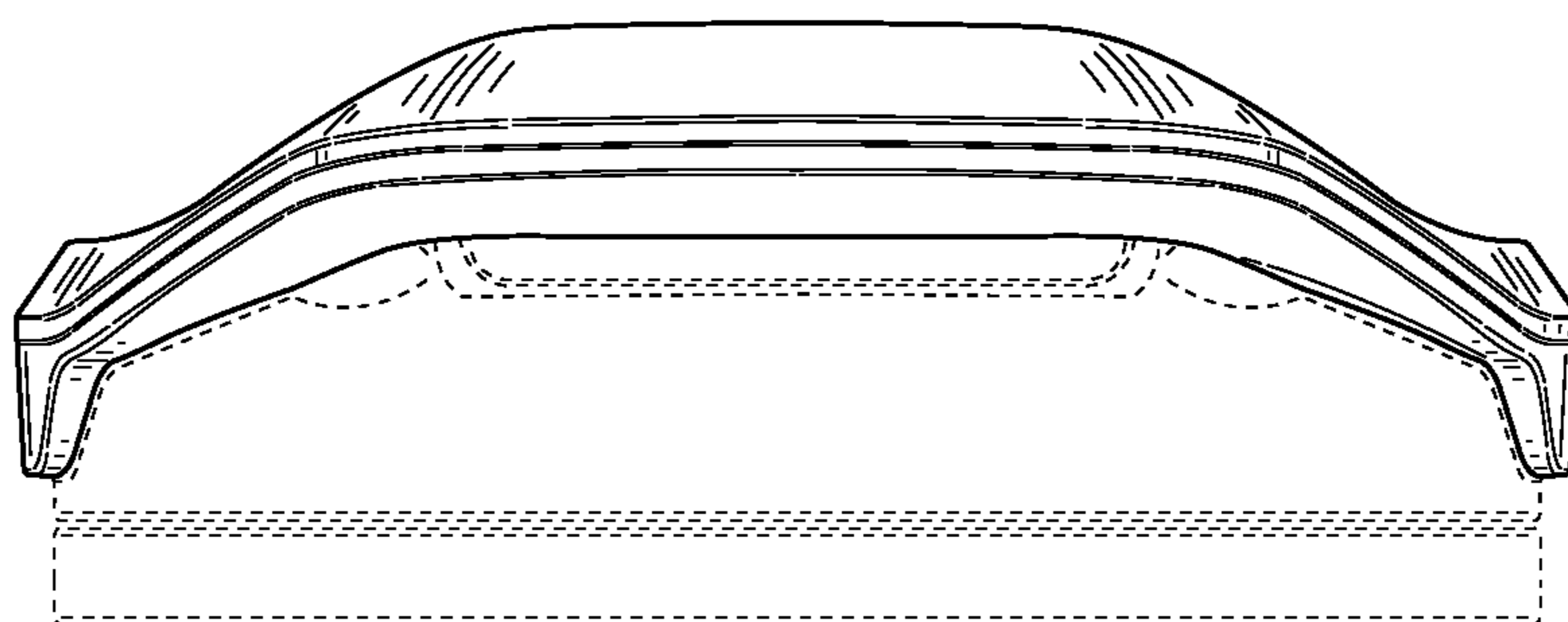


FIG. 7

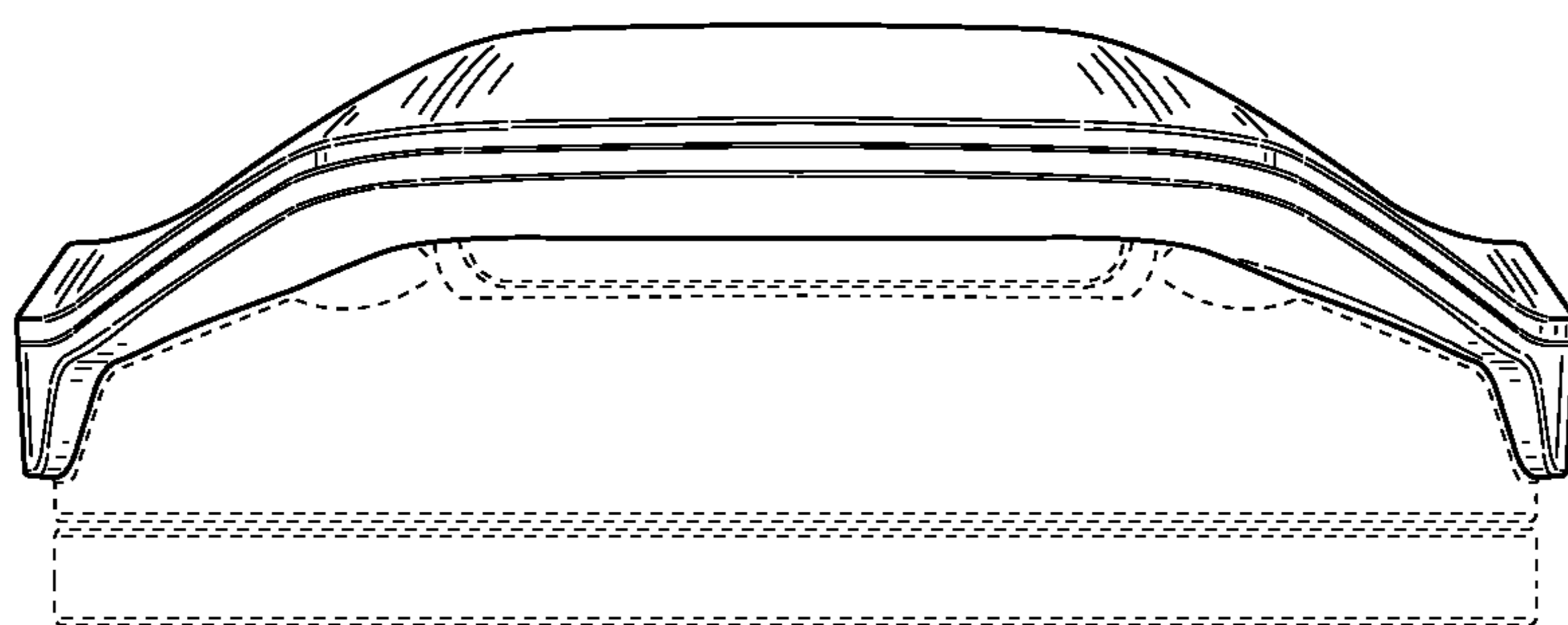


FIG. 8