



US00D749914S

(12) **United States Design Patent**  
**Jeon et al.**

(10) **Patent No.:** **US D749,914 S**

(45) **Date of Patent:** **\*\* Feb. 23, 2016**

(54) **FOOD CONTAINER**

(71) Applicant: **Samsung Electronics Co., Ltd.**,  
Suwon-si (KR)

(72) Inventors: **Sang-Woon Jeon**, Namyangju-si (KR);  
**Se-Youn Park**, Incheon (KR); **Sun-Min Lee**, Seoul (KR); **Jae-Moon Lee**, Seoul (KR)

(73) Assignee: **SAMSUNG ELECTRONICS CO., LTD.** (KR)

(\*\*) Term: **14 Years**

(21) Appl. No.: **29/459,719**

(22) Filed: **Jul. 2, 2013**

(30) **Foreign Application Priority Data**

Jan. 3, 2013 (KR) ..... 30-2013-0000217

(51) **LOC (10) Cl.** ..... **07-01**

(52) **U.S. Cl.**  
USPC ..... **D7/629**

(58) **Field of Classification Search**

USPC ..... D7/672, 601, 550.1, 551.1, 551.2,  
D7/551.3, 552.1, 552.2, 553.1, 553.2,  
D7/553.3, 553.4, 553.5, 553.7, 553.8,  
D7/554.1, 554.3, 554.4, 555, 557, 602,  
D7/629, 630, 538-542, 612-615, 584, 586,  
D7/587, 392.1, 709, 502, 608, 622, 605,  
D7/606, 609, 619.1, 619.2; D9/424-432,  
D9/414-423; D3/273, 201-206, 276, 283,  
D3/284, 295, 274, 302; 229/107, 406, 120,  
229/125.17, 4.5, 938; 220/669-673, 675,  
220/574-575, 573.1, 4.21, 660, 326, 236,  
220/780-795, 796-806, 4.24, 288, 260,  
220/266, 306, 352, 356; 190/109, 110;  
426/106; 206/216, 217, 541-550, 223,  
206/467

CPC ..... B65D 1/00; B65D 3/00; B65D 3/10;  
B65D 3/24; B65D 3/268; B65D 11/00;  
B65D 11/02; B65D 13/00; B65D 15/00;

B65D 15/02; B65D 15/16; B65D 21/00;  
B65D 75/327; B65D 81/26; A47J 47/00;  
A47J 39/006; F25D 2303/0845; F25D 3/08;  
F25D 3/06; F25D 3/02; F25D 3/04; F25D  
3/00; F25D 3/005; F25D 3/002; F25D  
2331/804; F25D 2331/8041; F25F 1/00;  
F25F 1/02

See application file for complete search history.

(56) **References Cited**

U.S. PATENT DOCUMENTS

2,543,524 A \* 2/1951 De Oliveira ..... 219/387  
2,606,708 A \* 8/1952 Irvan ..... 220/796

(Continued)

*Primary Examiner* — Ian Simmons

*Assistant Examiner* — Shannon Morgan

(74) *Attorney, Agent, or Firm* — Cantor Colburn LLP

(57) **CLAIM**

We claim, the ornamental design for a food container, as shown and described.

**DESCRIPTION**

FIG. 1 is a perspective view of a food container, showing our new design;

FIG. 2 is a front elevation view thereof;

FIG. 3 is a rear elevation view thereof;

FIG. 4 is a side elevation view thereof;

FIG. 5 is a another side elevation view thereof;

FIG. 6 is a top plan view thereof;

FIG. 7 is a bottom plan view thereof;

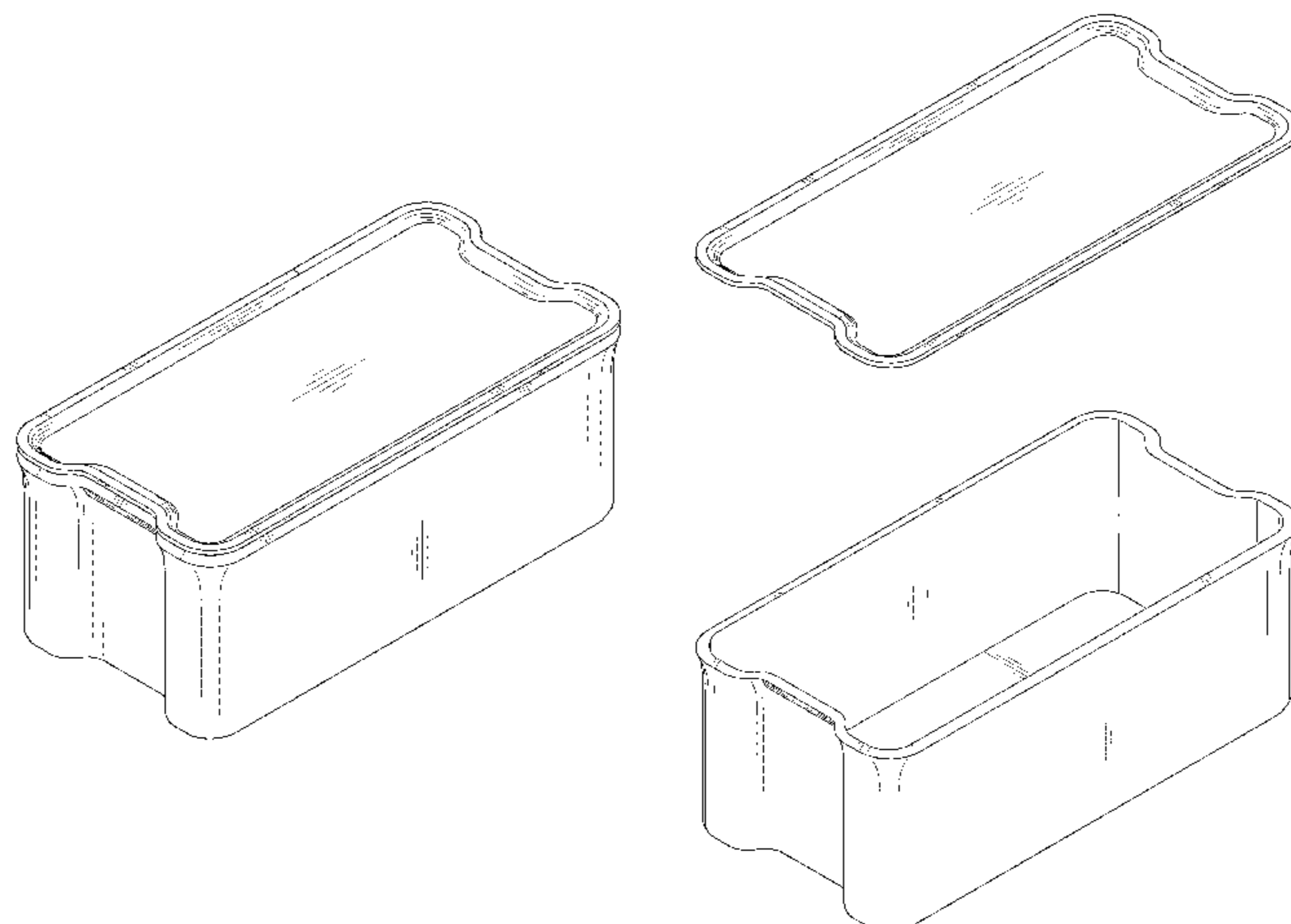
FIG. 8 is a top plan view thereof;

FIG. 9 is a perspective view thereof; and,

FIG. 10 is a perspective view thereof shown in an open configuration.

The broken lines shown in FIG. 7 represent portions of the food container that form no part of the claimed design. The broken lines showing a refrigerator in FIGS. 8 and 9 of the food container are for the purpose of illustrating environment and form no part of the claimed design.

**1 Claim, 7 Drawing Sheets**



(56)

**References Cited**

U.S. PATENT DOCUMENTS

2,773,624	A *	12/1956	Knieriem et al. ....	206/512	4,024,731	A *	5/1977	Branscum .....	62/457.2
D183,777	S *	10/1958	Weiss .....	D3/280	5,493,874	A *	2/1996	Landgrebe .....	62/457.2
D193,070	S *	6/1962	Friday, Jr. ....	D9/421	D373,953	S *	9/1996	Gale .....	D7/605
D201,398	S *	6/1965	Burns et al. ....	D3/302	D381,512	S *	7/1997	Green .....	D3/294
3,407,079	A *	10/1968	Griffith et al. ....	426/124	D382,112	S *	8/1997	Egan .....	D3/273
3,782,602	A *	1/1974	Page .....	222/143	D408,142	S *	4/1999	Song .....	D3/282
D238,051	S *	12/1975	Fier, Jr. ....	D7/605	D480,560	S *	10/2003	Tanji .....	D3/294
D239,429	S *	4/1976	Billingsley .....	D7/605	D480,872	S *	10/2003	Welsh et al. ....	D3/302
D239,695	S *	4/1976	Fier, Jr. ....	D7/605	D513,870	S *	1/2006	Rosine et al. ....	D3/273
D240,205	S *	6/1976	Visser et al. ....	D3/302	D513,871	S *	1/2006	Rosine et al. ....	D3/273
4,014,456	A *	3/1977	Echtle .....	220/783	D519,734	S *	5/2006	Richardson et al. ....	D3/294
					D677,054	S *	3/2013	Chen .....	D3/302
					D719,731	S *	12/2014	Burgess et al. ....	D3/302
					2012/0248101	A1 *	10/2012	Tumber et al. ....	220/1.5

\* cited by examiner

FIG. 1

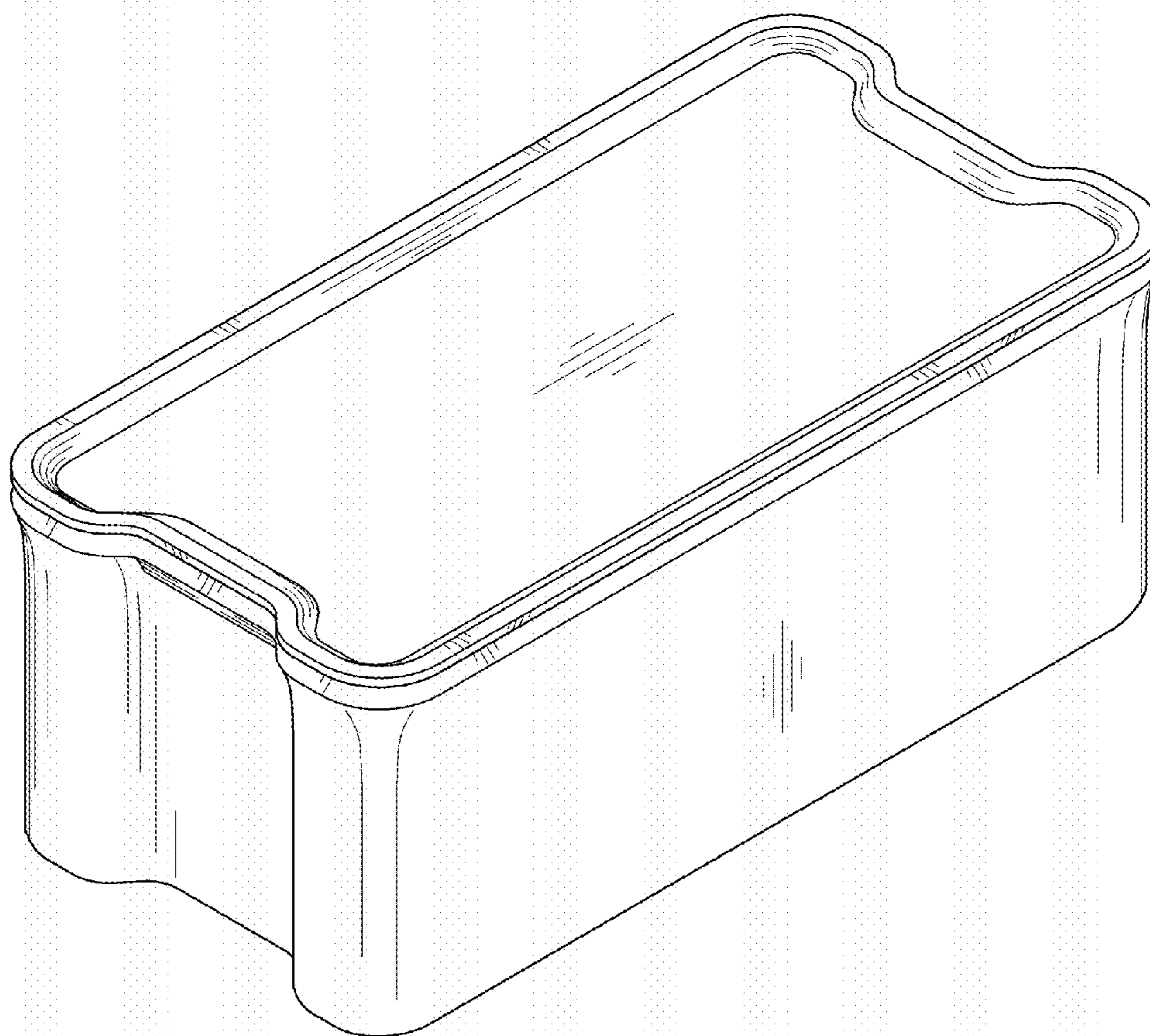


FIG. 2

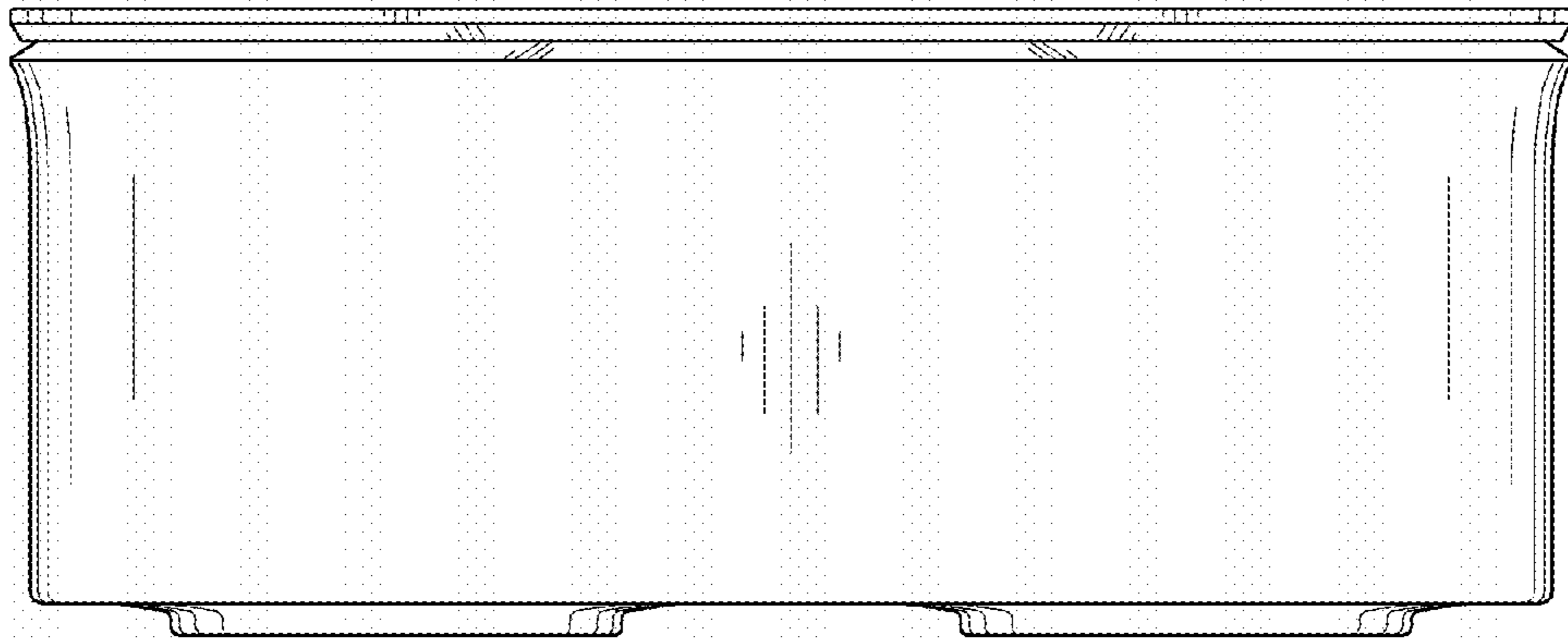


FIG. 3

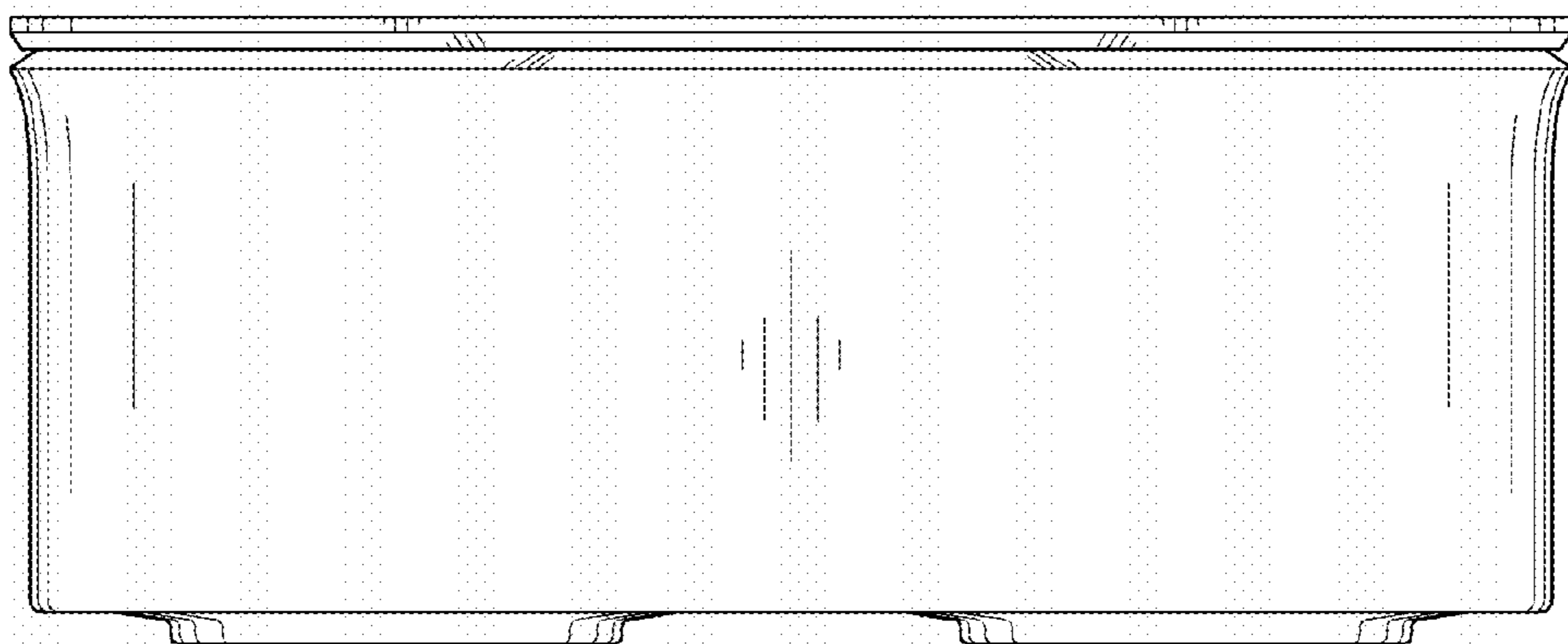




FIG. 4

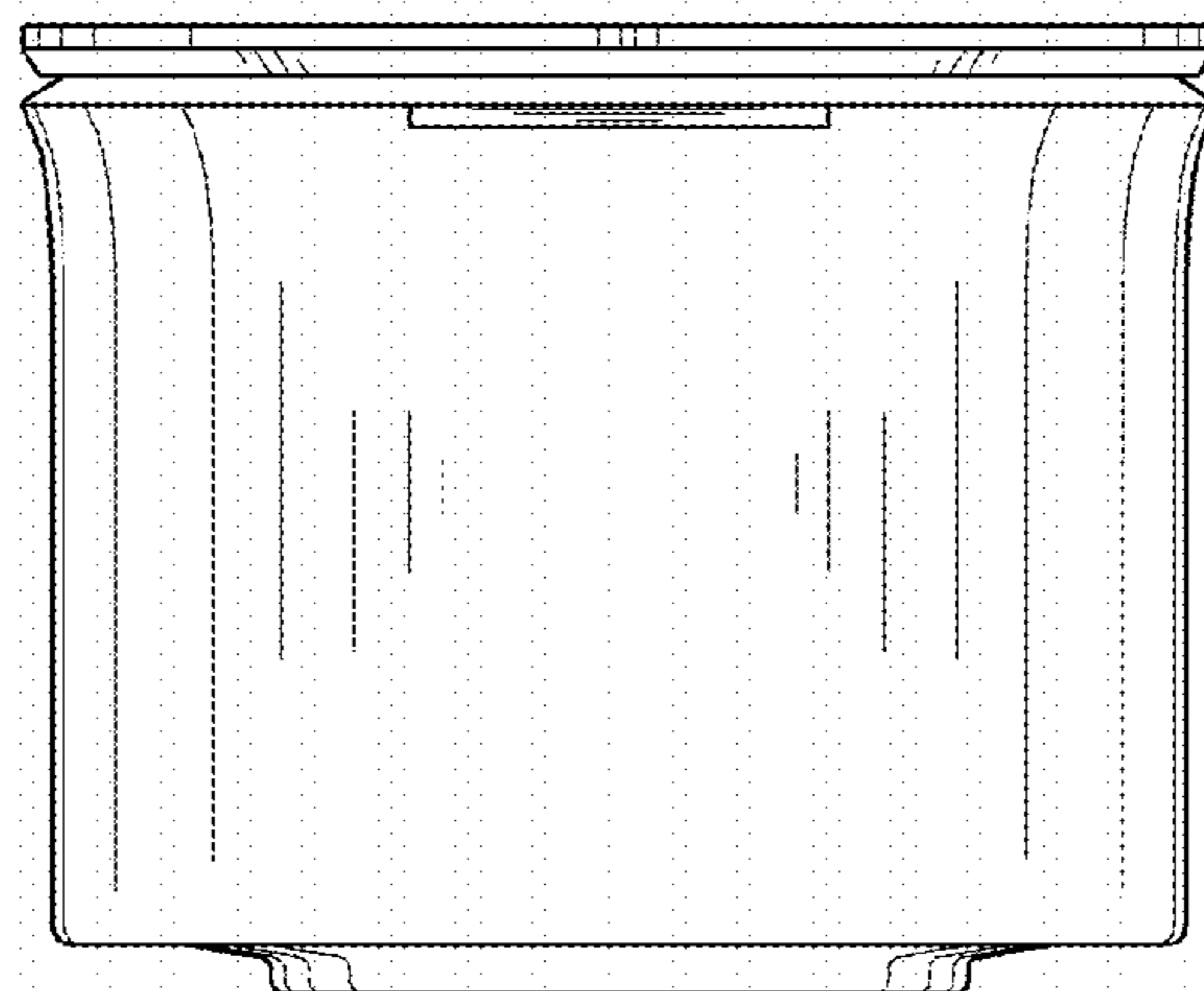


FIG. 5

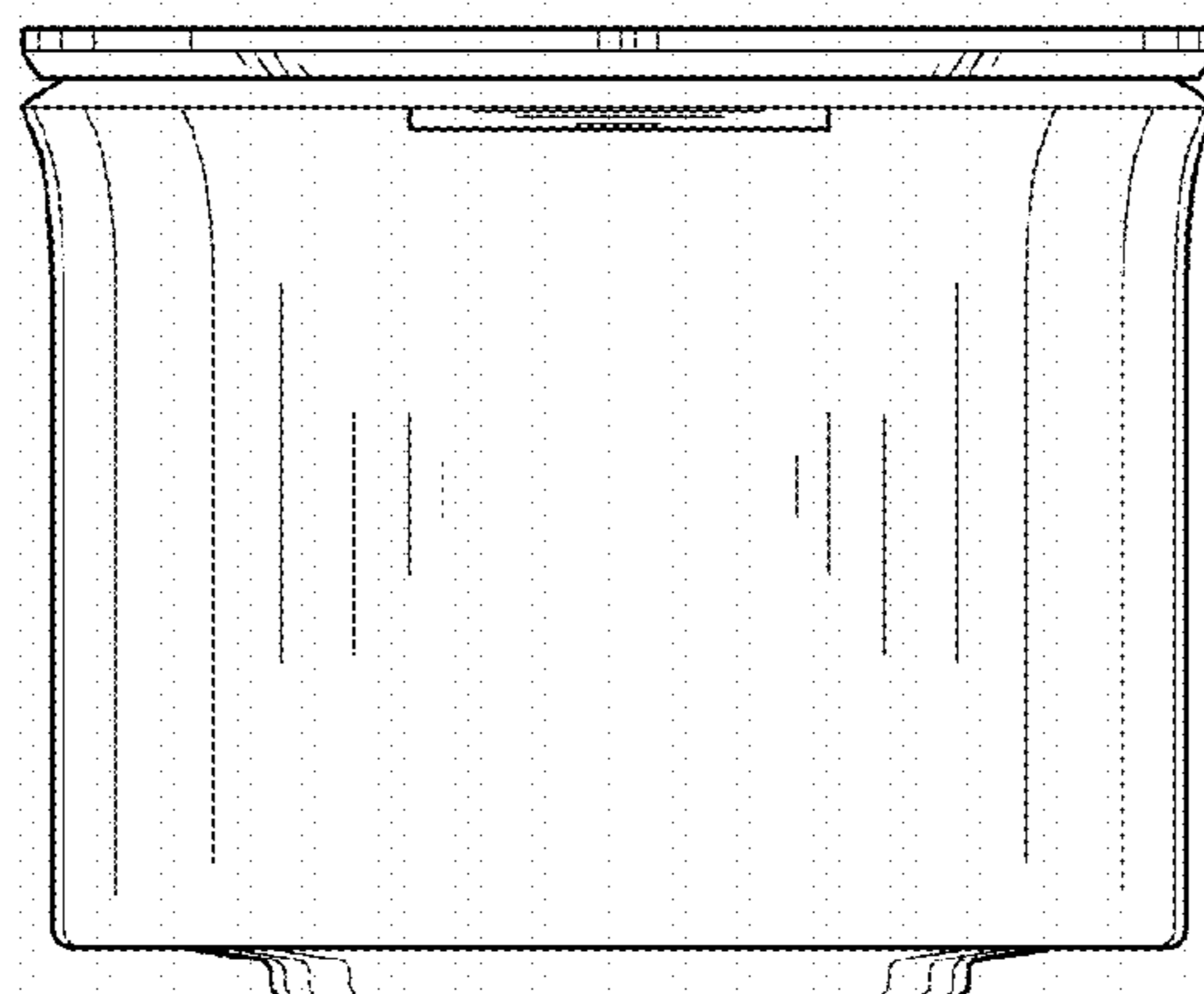


FIG. 6

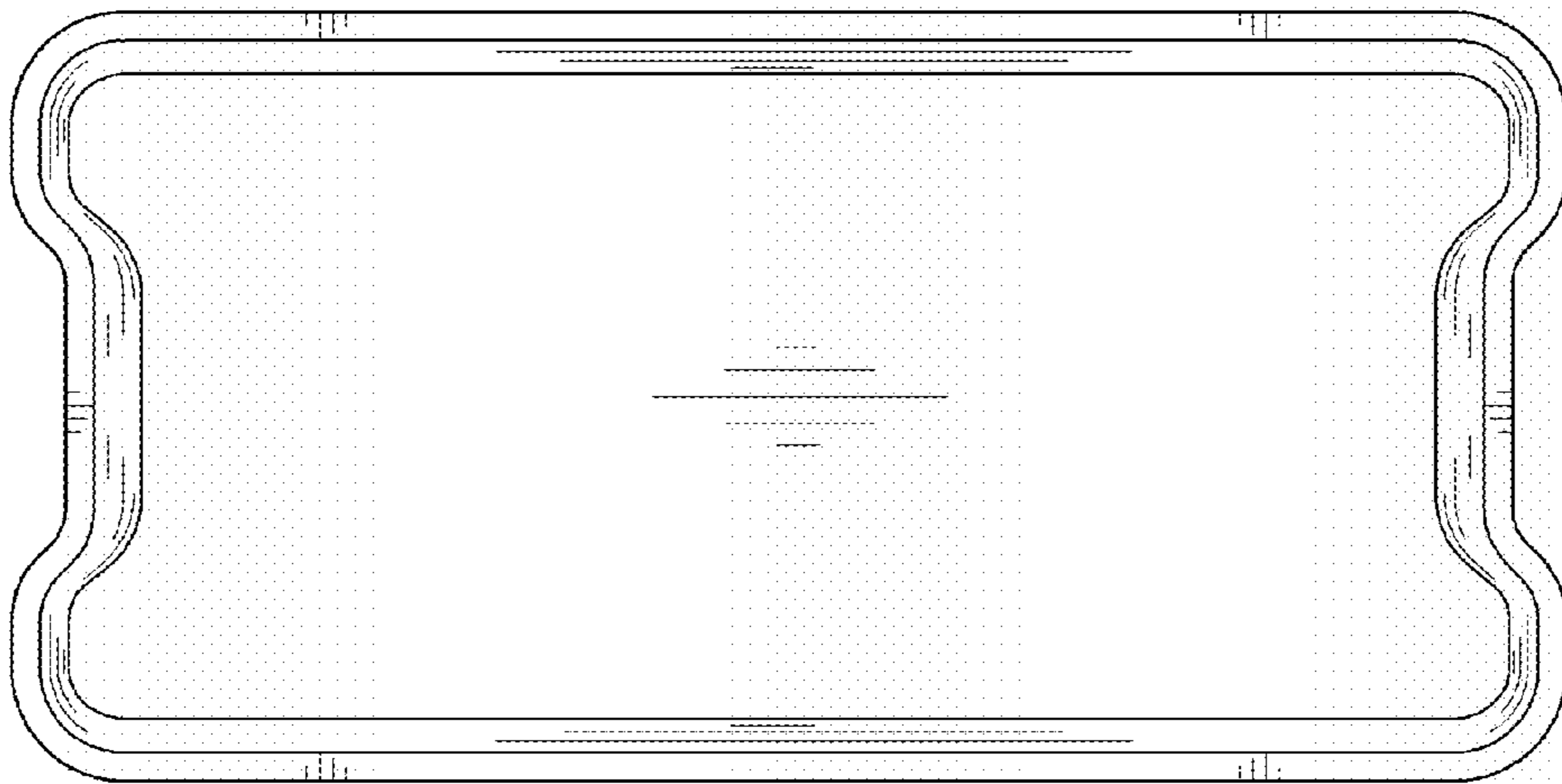


FIG. 7

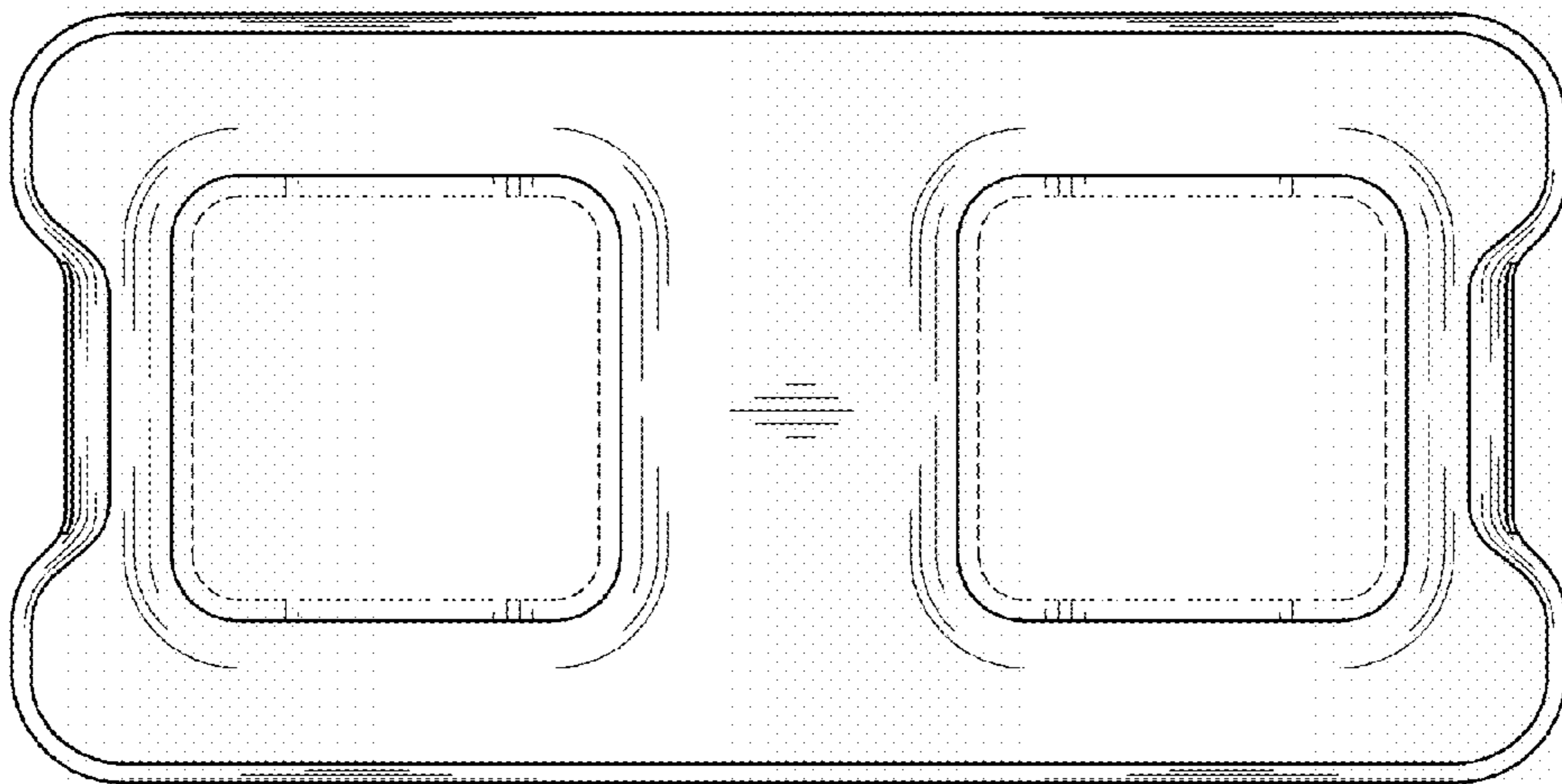


FIG. 8

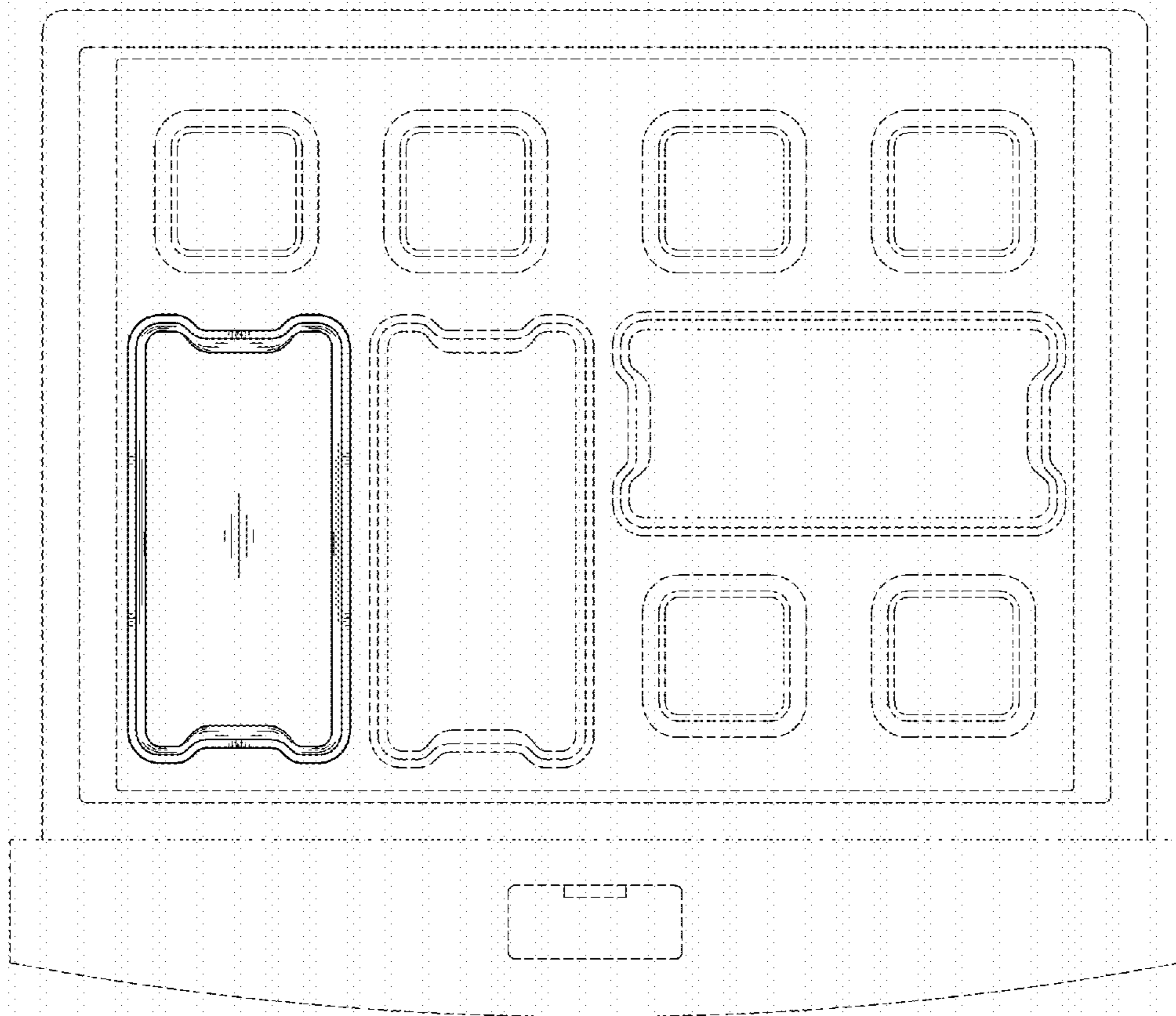


FIG. 9

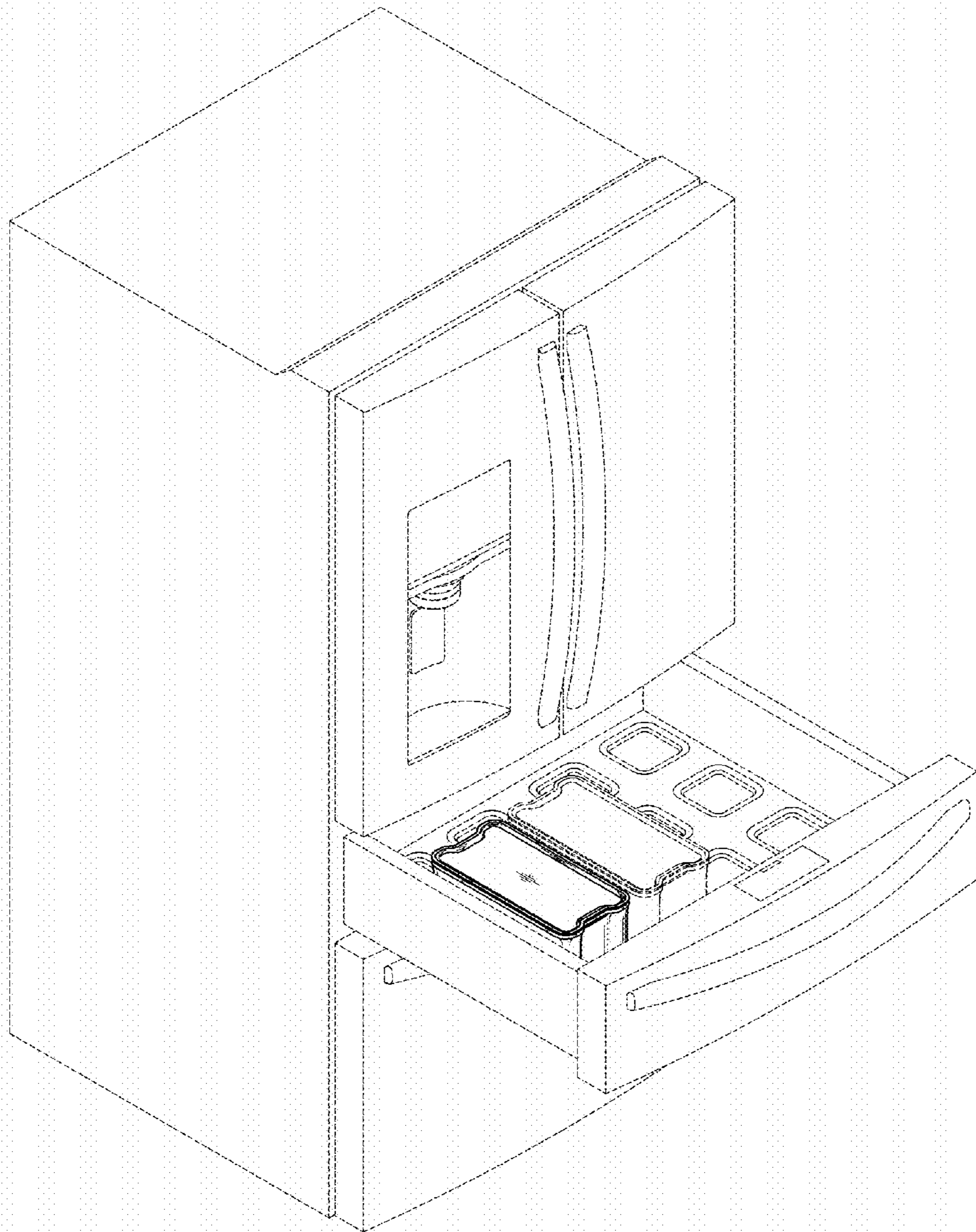




FIG. 10

