



US00D749913S

(12) **United States Design Patent**
Feng

(10) **Patent No.:** **US D749,913 S**

(45) **Date of Patent:** **** Feb. 23, 2016**

(54) **ASSISTIVE POURING DEVICE FOR PEOPLE WITH ARTHRITIS AND OTHERS**

(71) Applicant: **Jeff Feng**, Sugar Land, TX (US)

(72) Inventor: **Jeff Feng**, Sugar Land, TX (US)

(73) Assignee: **UNIVERSITY OF HOUSTON**,
Houston, TX (US)

(**) Term: **14 Years**

(21) Appl. No.: **29/497,214**

(22) Filed: **Jul. 22, 2014**

(51) **LOC (10) Cl.** **07-06**

(52) **U.S. Cl.**
USPC **D7/619.1; D7/669**

(58) **Field of Classification Search**
USPC D7/619.1-625, 669; 294/27.1, 32, 165;
248/151, 143, 133, 139; 222/186, 463,
222/184, 173
CPC ... A47G 19/12; A47G 23/0258; B65G 65/24;
B65G 7/08; B65G 23/001; A47J 45/10;
A47J 47/18; A47J 47/16; F16M 11/2021
See application file for complete search history.

(56) **References Cited**

U.S. PATENT DOCUMENTS

480,095 A * 8/1892 Holme B65G 65/24
248/143
1,048,493 A * 12/1912 Catlin B65G 65/24
248/143

1,621,252 A * 3/1927 Hillyard A47G 19/12
222/463
4,003,503 A * 1/1977 Aldridge B65D 47/06
248/151
6,945,434 B1 * 9/2005 Dionne B65D 23/001
222/186

* cited by examiner

Primary Examiner — Terry Wallace

(74) *Attorney, Agent, or Firm* — Winstead PC

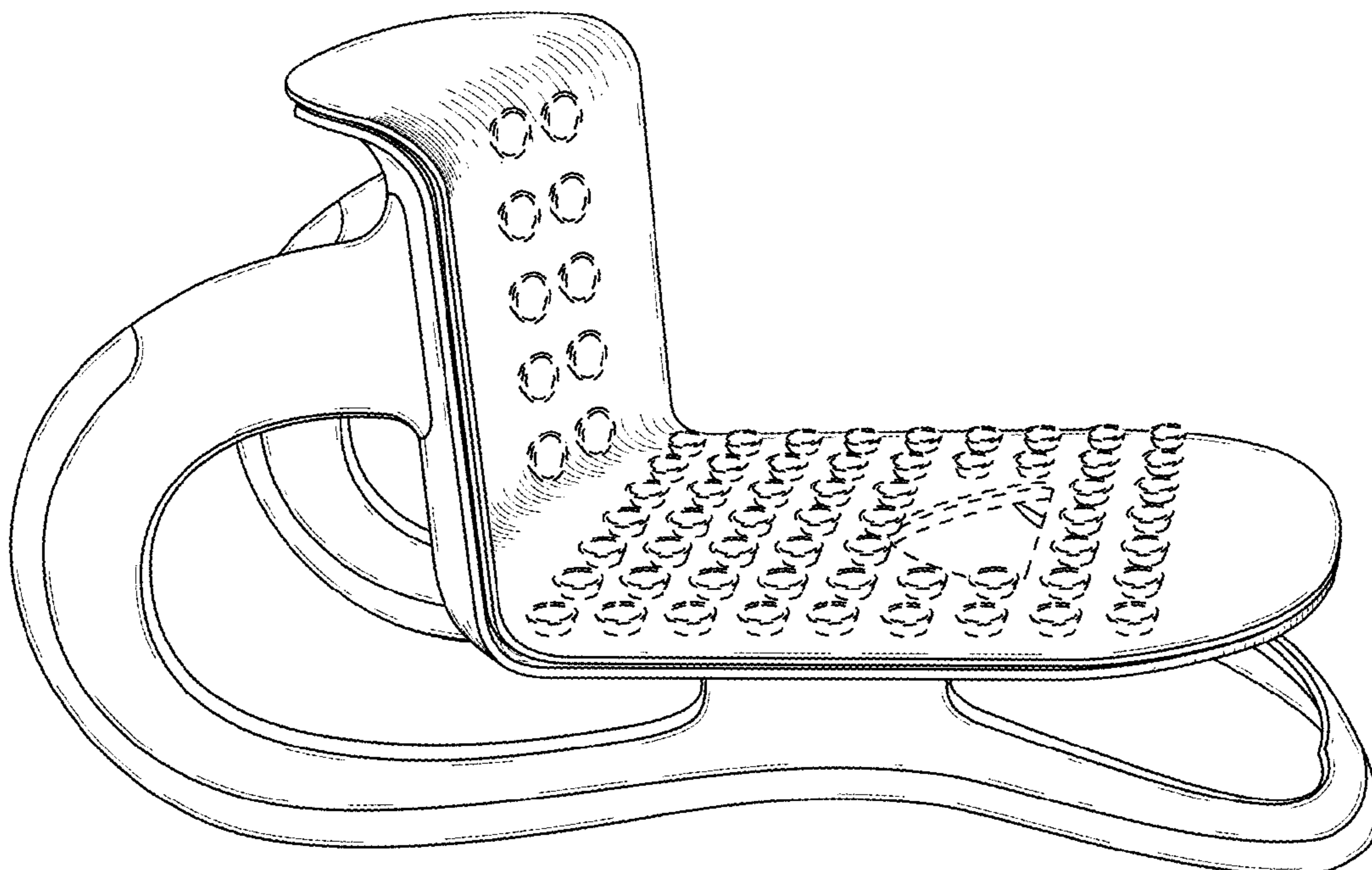
(57) **CLAIM**

We claim the ornamental design for an assistive pouring device for people with arthritis and others, as shown and described.

DESCRIPTION

FIG. 1 shows a isometric view an assistive pouring device; FIG. 2 shows another isometric view thereof; FIG. 3 shows a rear view thereof; FIG. 4 shows a bottom view thereof; FIG. 5 shows a front view thereof; FIG. 6 shows a side view thereof; FIG. 7 shows a top view thereof; and, FIG. 8 shows another side view thereof. The dashed lines are for the purpose of illustrating portions of the assistive pouring device and form no part of the claimed design. The dotted lines on the surface portions indicate contour and not surface decoration.

1 Claim, 4 Drawing Sheets



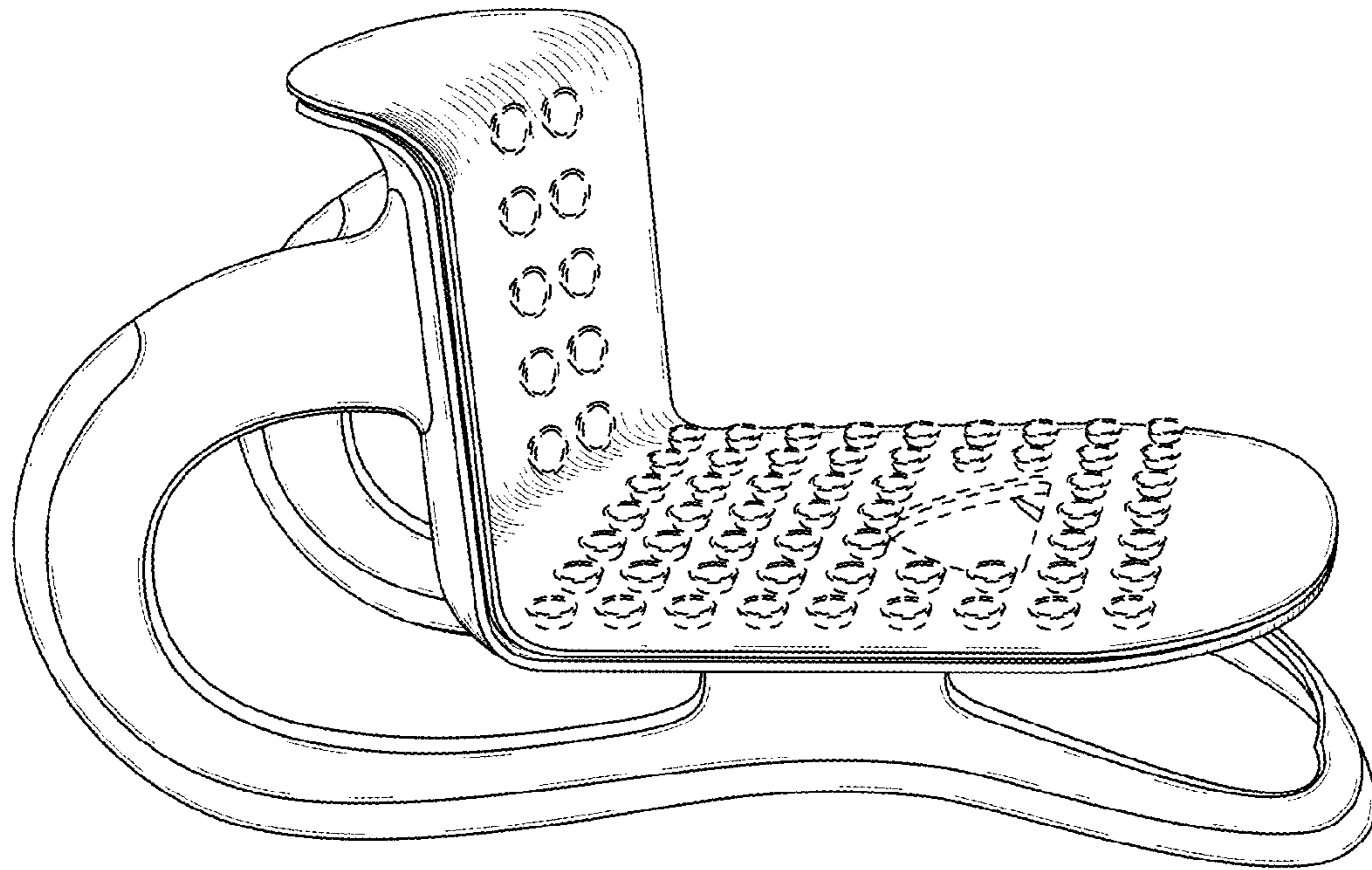


FIG. 1

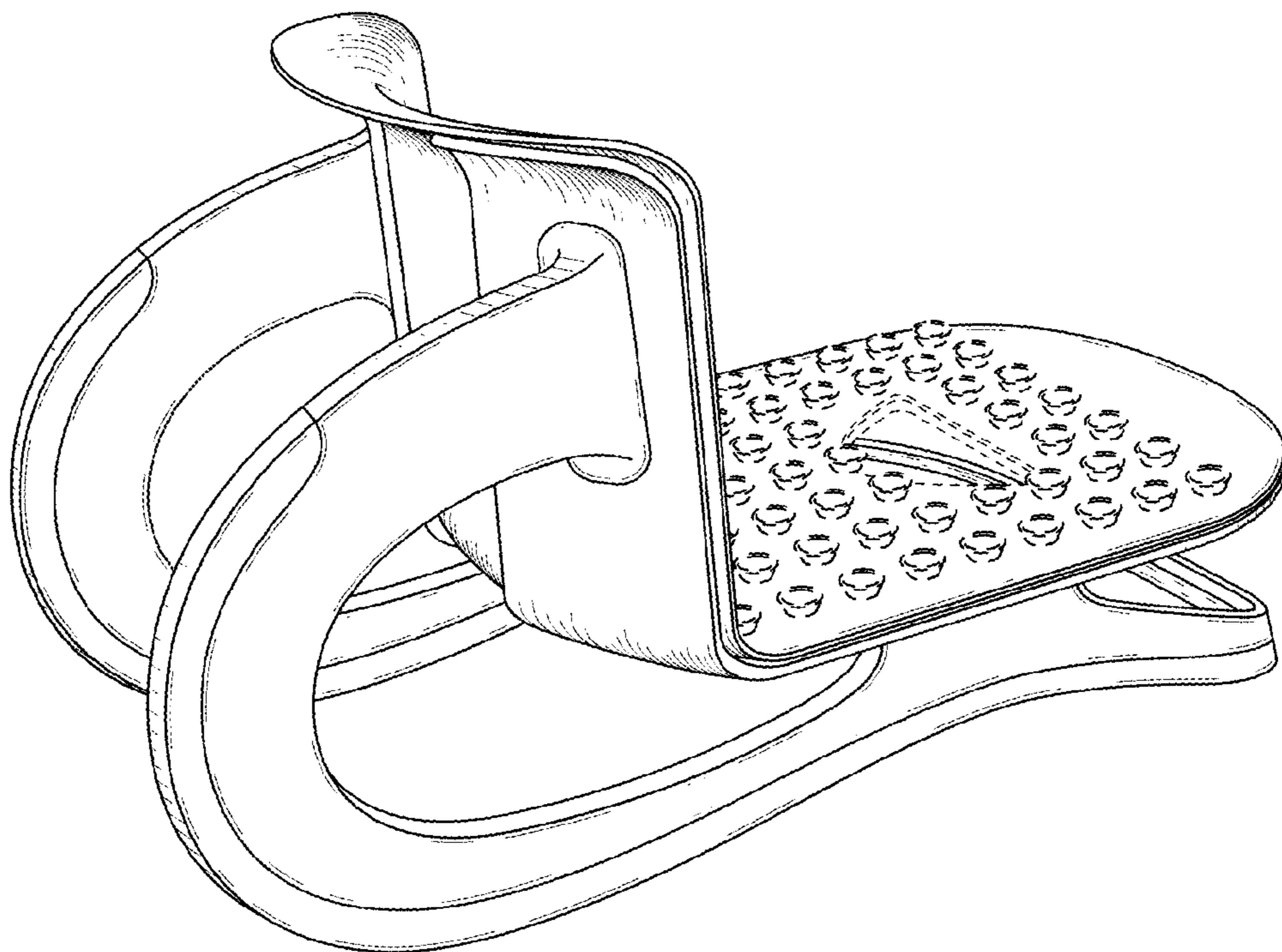


FIG. 2

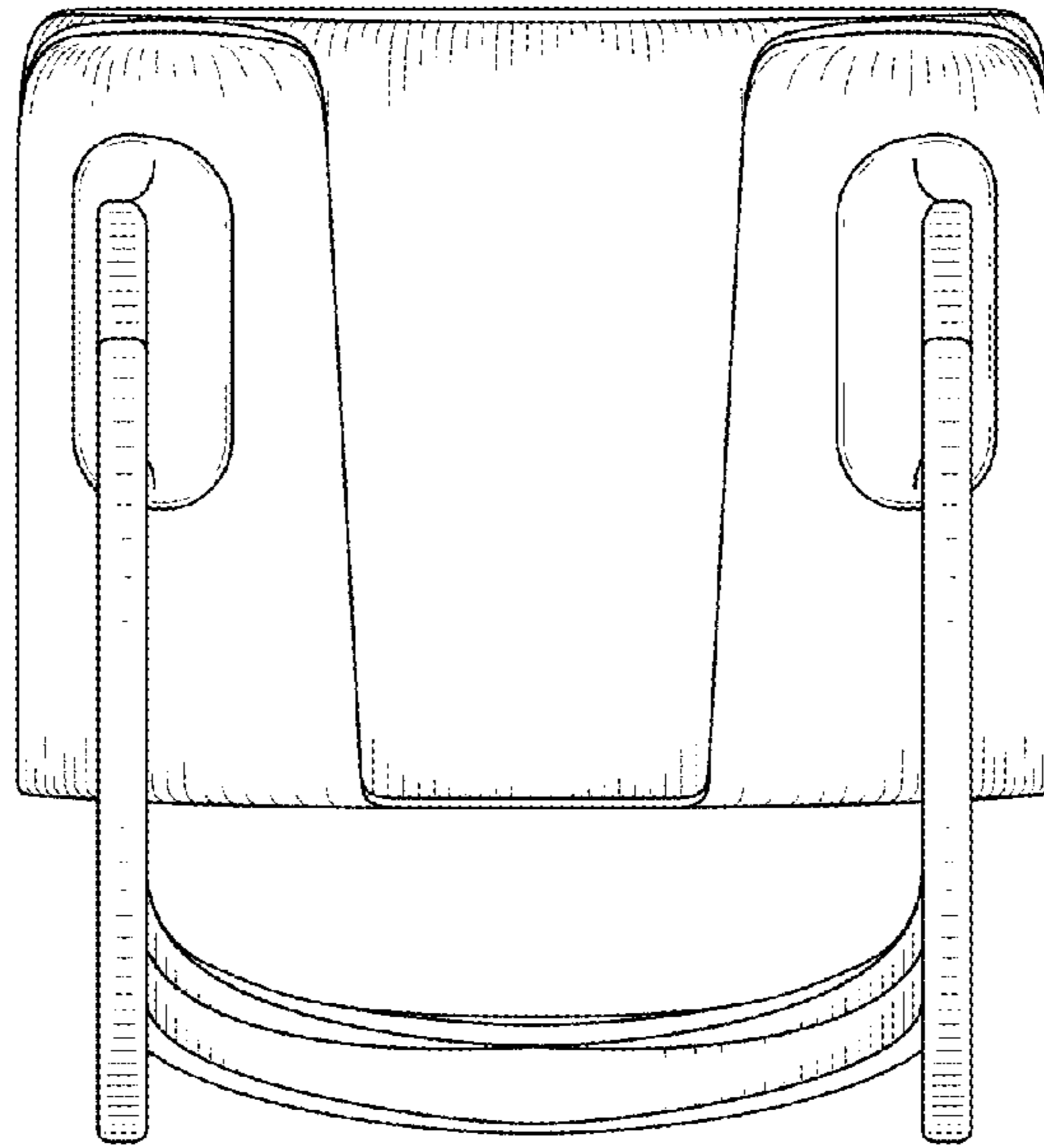


FIG. 3

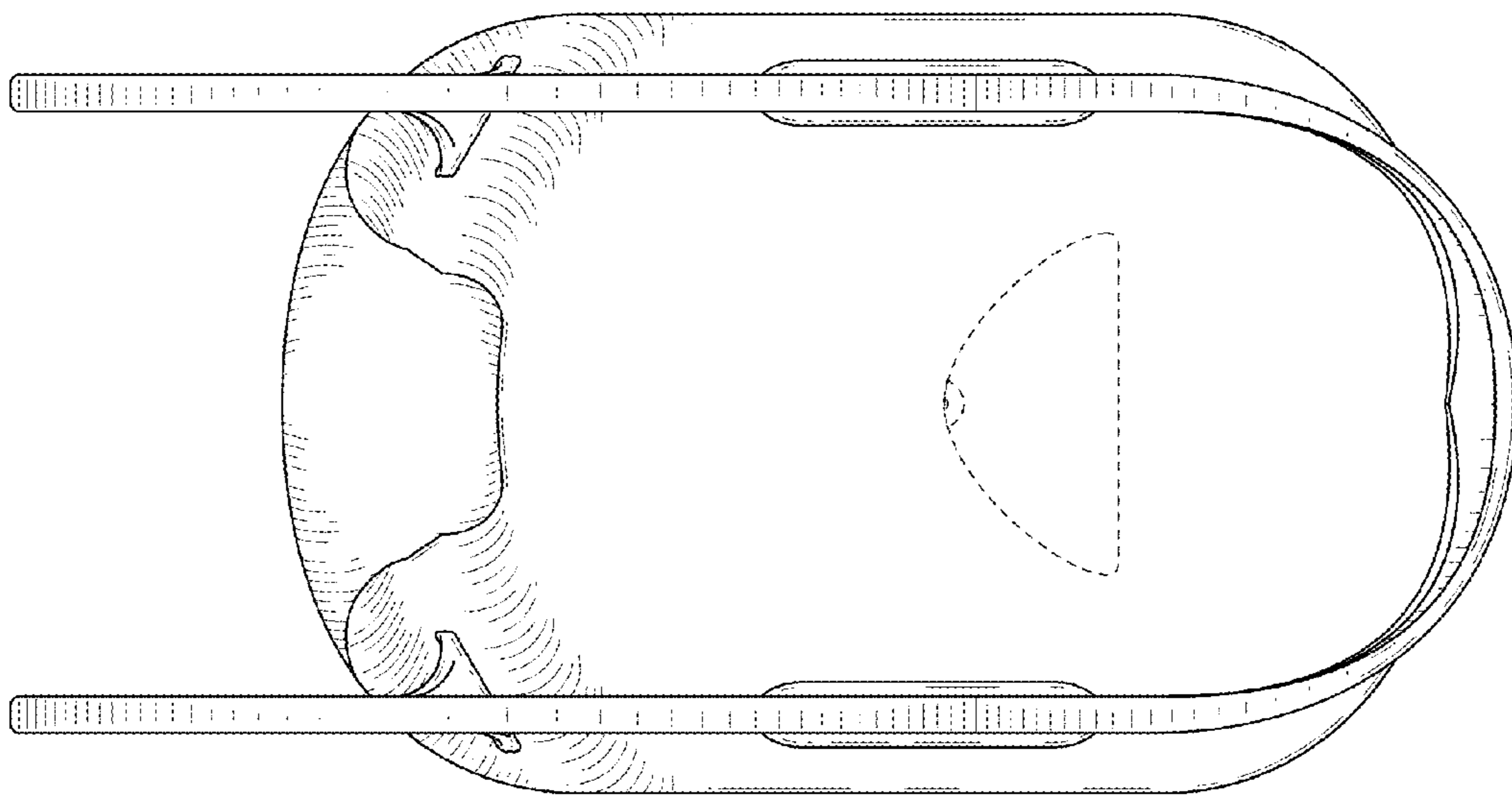


FIG. 4

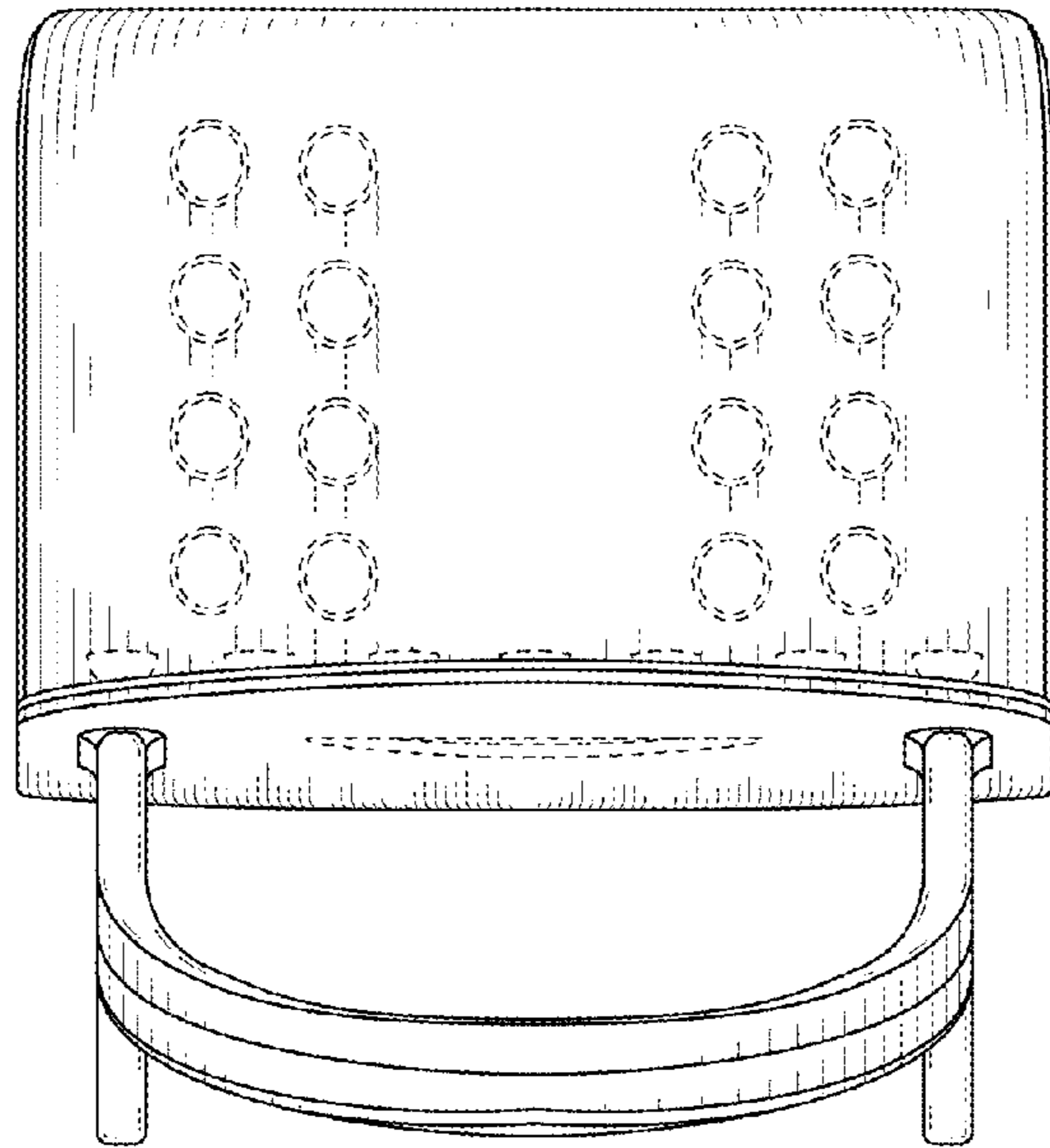


FIG. 5

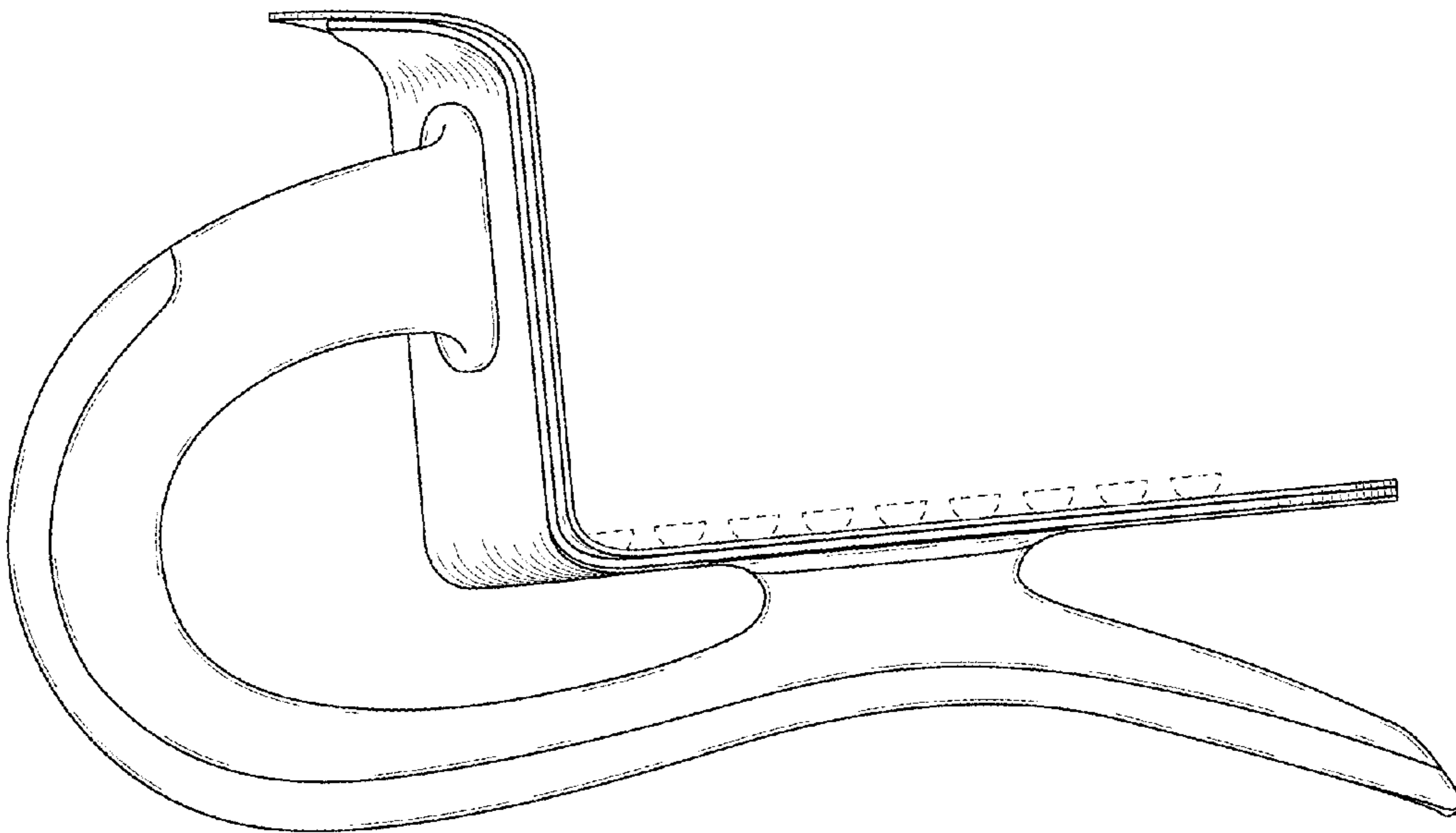


FIG. 6

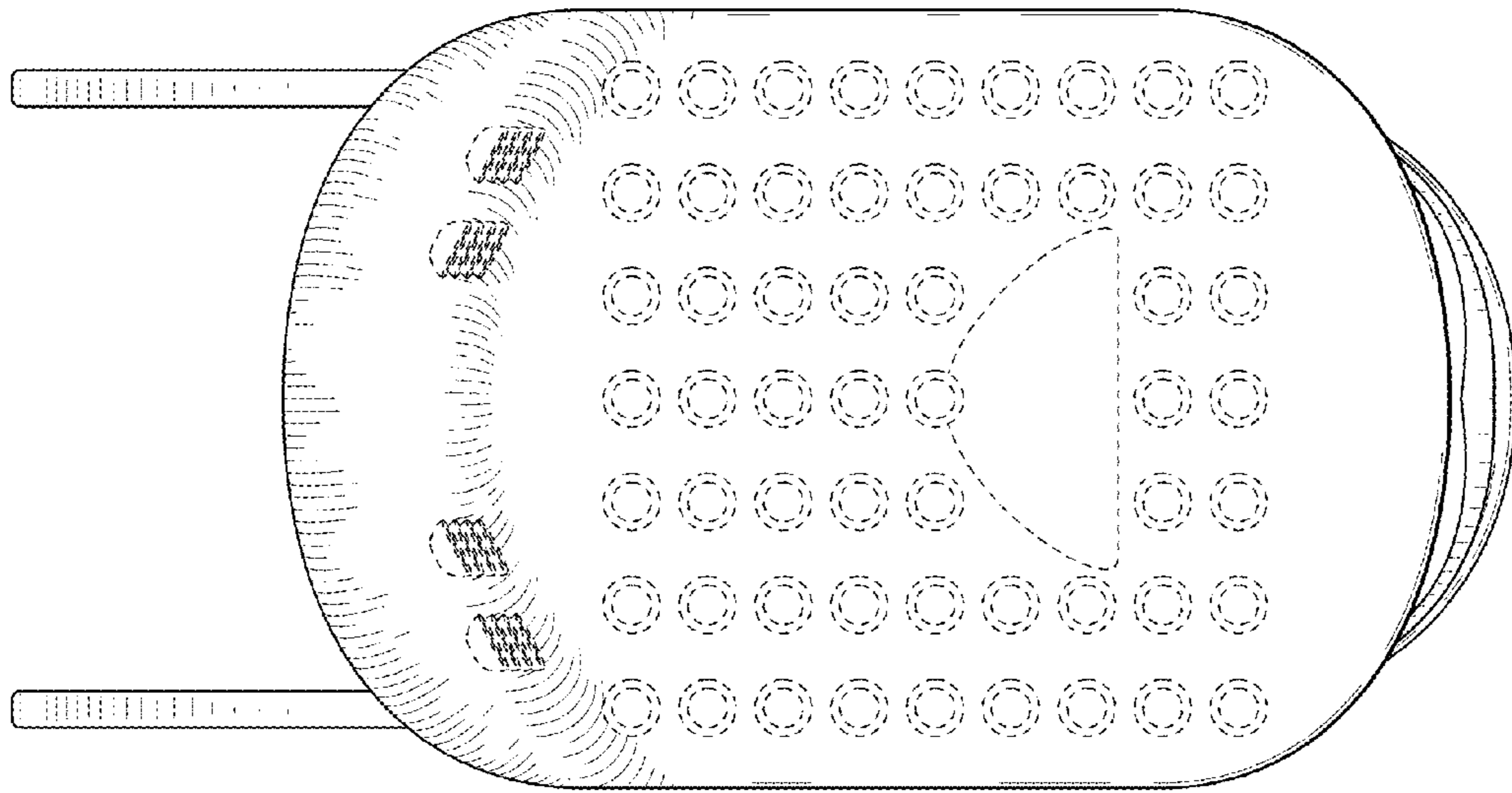


FIG. 7

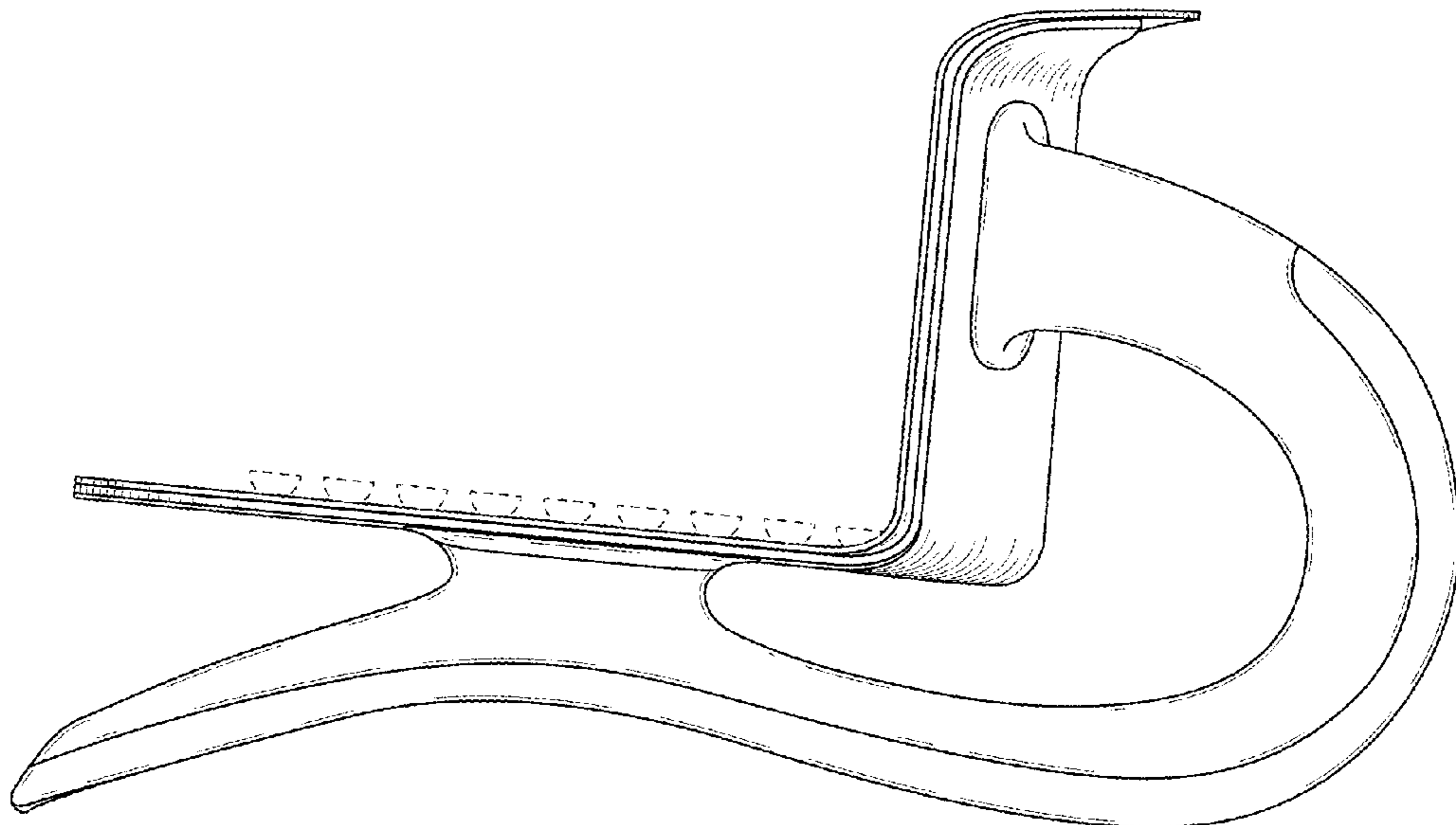


FIG. 8