



US00D749912S

(12) **United States Design Patent**
Diamond et al.

(10) **Patent No.:** **US D749,912 S**
(45) **Date of Patent:** **** Feb. 23, 2016**

(54) **SPORT COOLER**

(71) Applicants: **Sunnie E. Diamond**, Atlanta, GA (US);
Star Ruby Lowe, Atlanta, GA (US)

(72) Inventors: **Sunnie E. Diamond**, Atlanta, GA (US);
Star Ruby Lowe, Atlanta, GA (US)

(**) Term: **14 Years**

(21) Appl. No.: **29/474,516**

(22) Filed: **Oct. 14, 2014**

(51) **LOC (10) Cl.** **07-01**

(52) **U.S. Cl.**
USPC **D7/606**

(58) **Field of Classification Search**
USPC D7/603-608, 625, 710, 628;
62/457.1-457.9, 371, 372; 206/457;
220/915.1, 915.2, 592.2,
220/592.24-592.27; D3/270, 271.1, 271.3,
D3/271.4
CPC F25D 3/08; F25D 3/00; F25D 3/06
See application file for complete search history.

(56) **References Cited**

U.S. PATENT DOCUMENTS

D231,523 S * 4/1974 Baker D12/16
D232,011 S * 7/1974 Denton D29/106
4,566,292 A * 1/1986 Parmet F25D 3/08

215/286
D314,492 S * 2/1991 Weller D7/604
D349,216 S * 8/1994 Steinfels, III D7/623
D349,630 S * 8/1994 Redmon D7/606
D352,211 S * 11/1994 Rucks D7/606
D369,529 S * 5/1996 Blankenburg D29/106
D434,607 S * 12/2000 Hansen D7/606
D503,311 S * 3/2005 Strobel D7/604
D521,322 S * 5/2006 Loving D7/606
D524,115 S * 7/2006 Meyer D7/604
D599,625 S * 9/2009 Lessells D7/606
D613,128 S * 4/2010 Blakeman D7/606
D685,228 S * 7/2013 Daugherty D7/606
2003/0168371 A1 * 9/2003 Weimer A45C 11/20
206/457

* cited by examiner

Primary Examiner — Terry Wallace

(57) **CLAIM**

The ornamental design for a sport cooler, as shown and described.

DESCRIPTION

FIG. 1 is a top, right side perspective view of a sport cooler showing our new design.

FIG. 2 is a bottom, left side perspective view thereof.

FIG. 3 is a front view thereof.

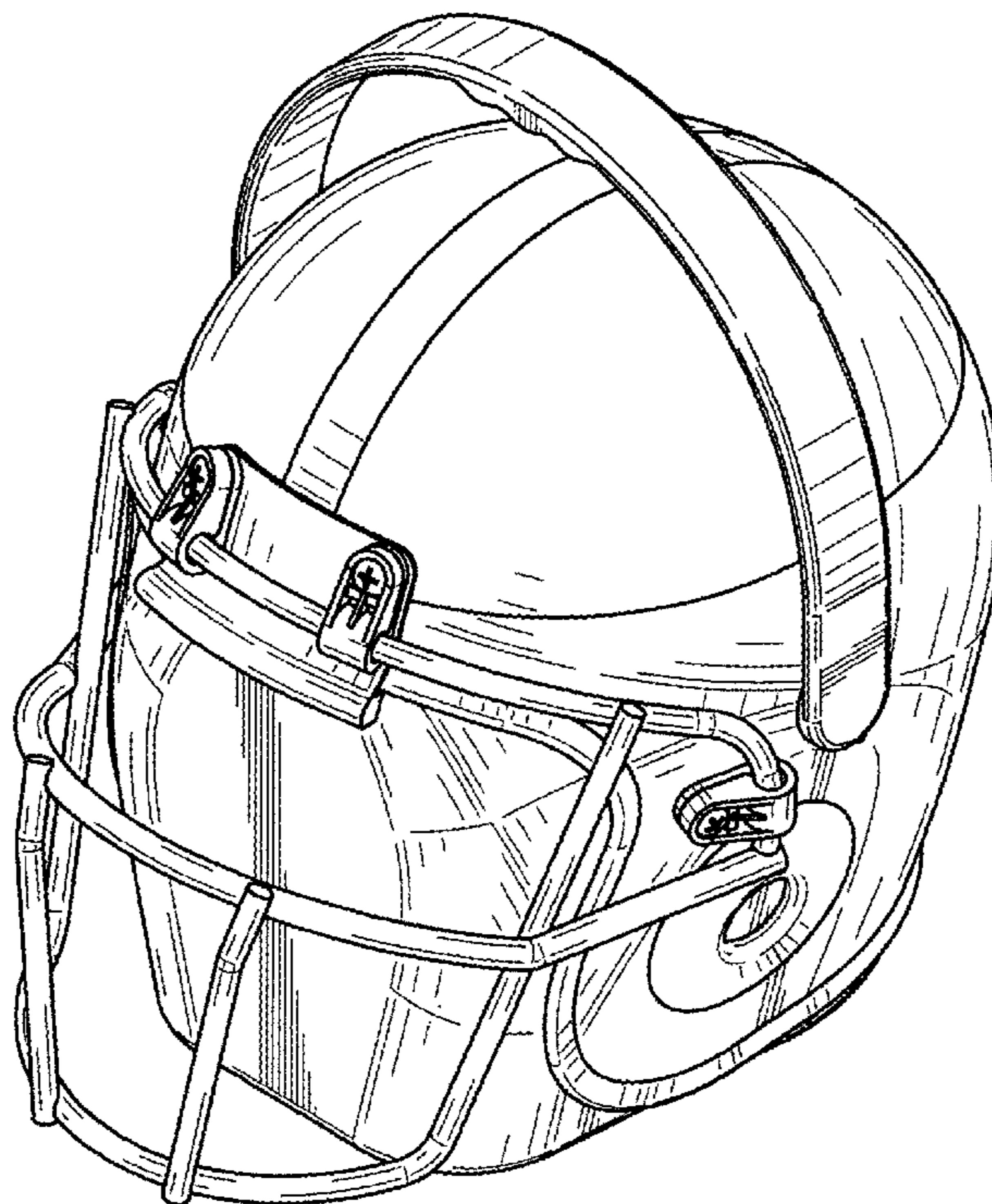
FIG. 4 is a right side view thereof.

FIG. 5 is a rear view thereof.

FIG. 6 is a top plan view thereof; and,

FIG. 7 is a bottom plan view thereof.

1 Claim, 7 Drawing Sheets



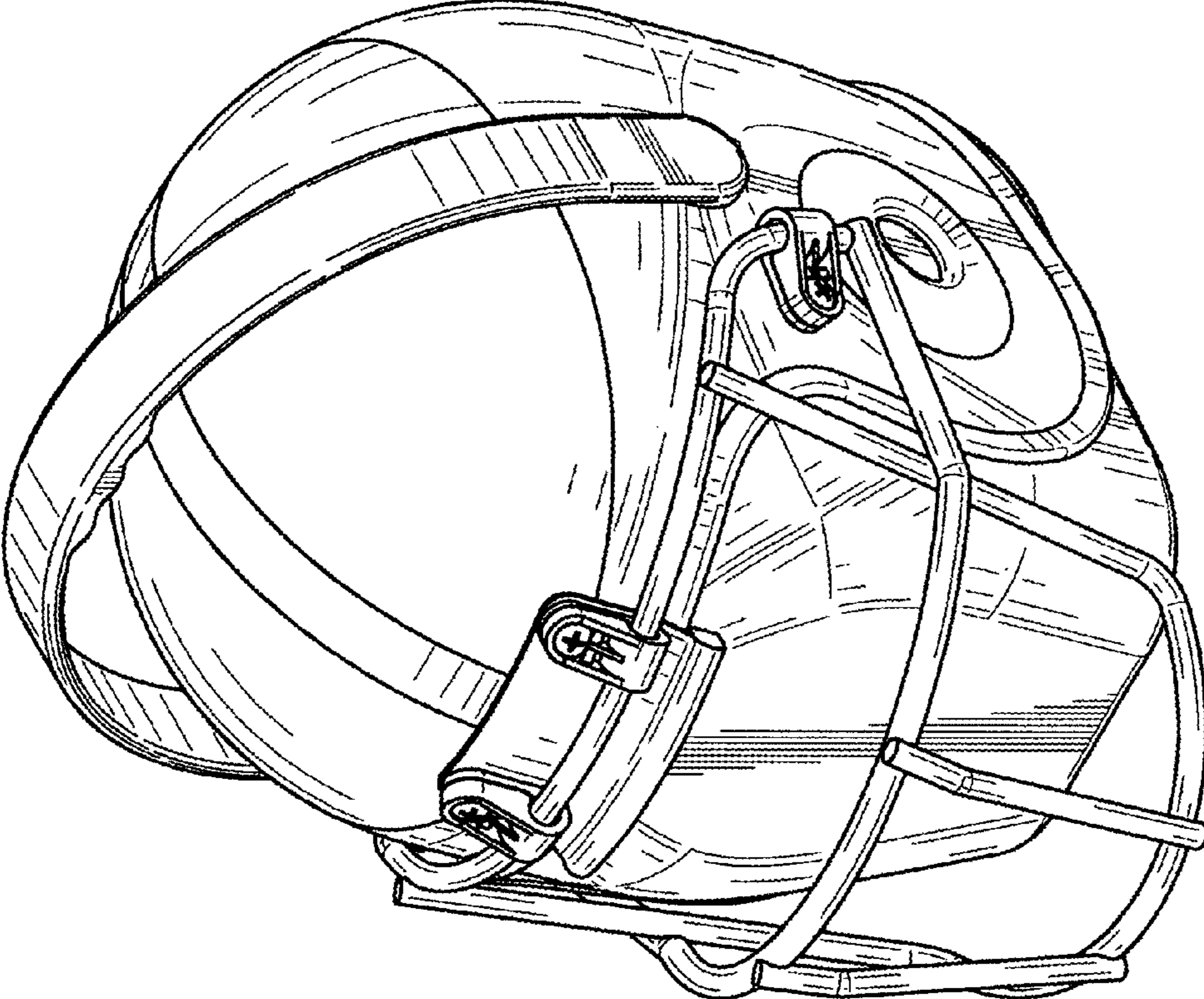


FIG. 1

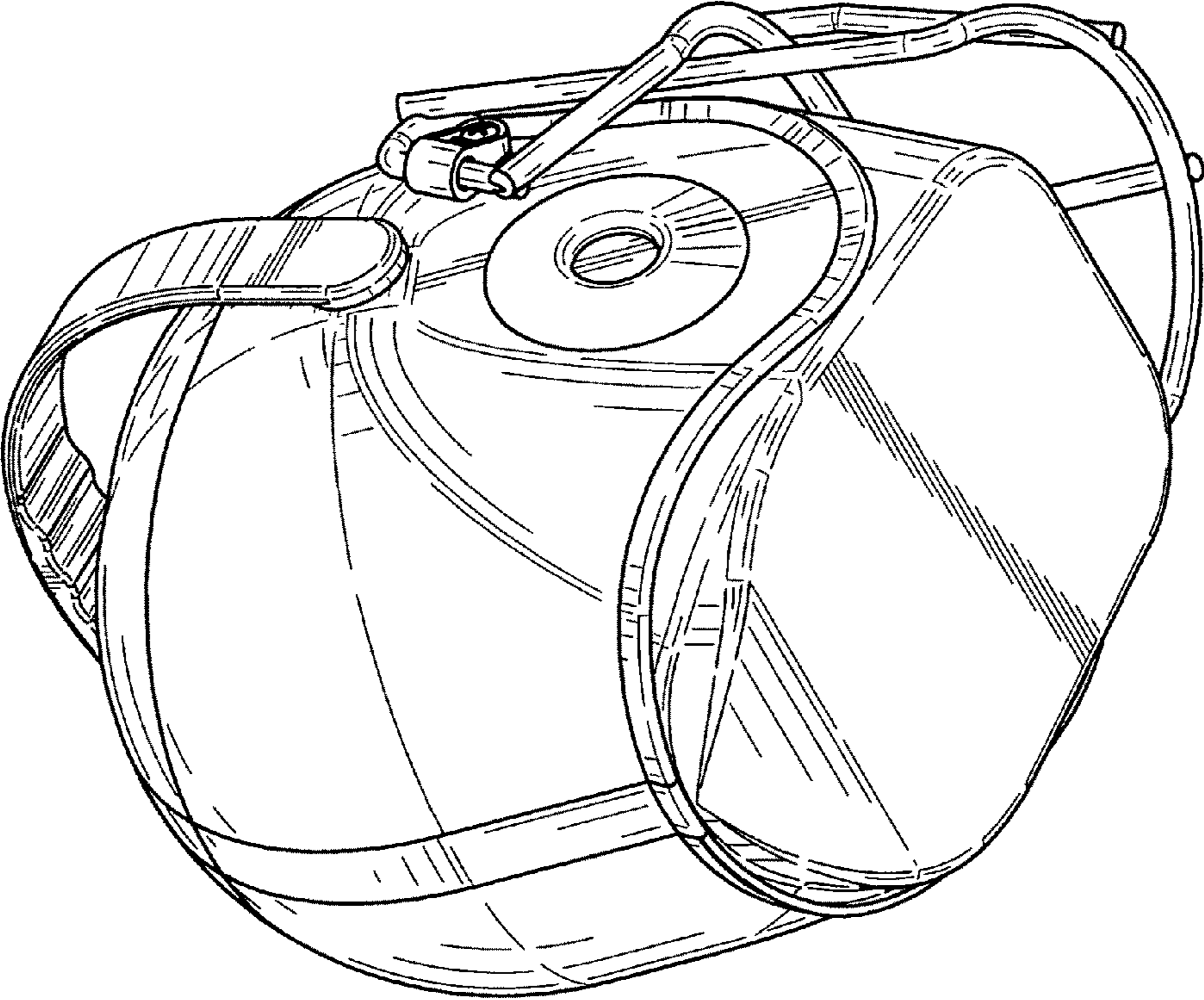


FIG. 2

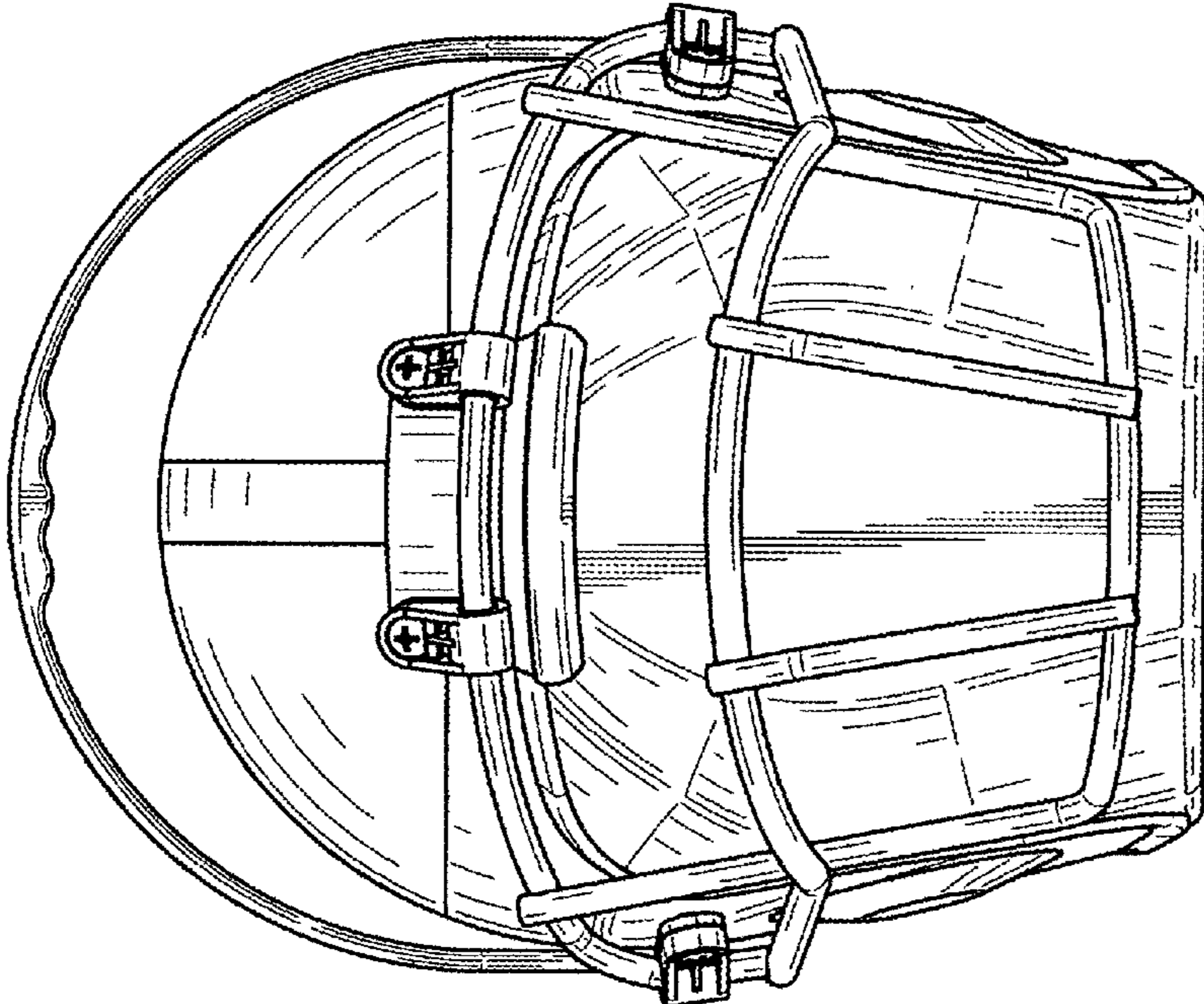


FIG. 3

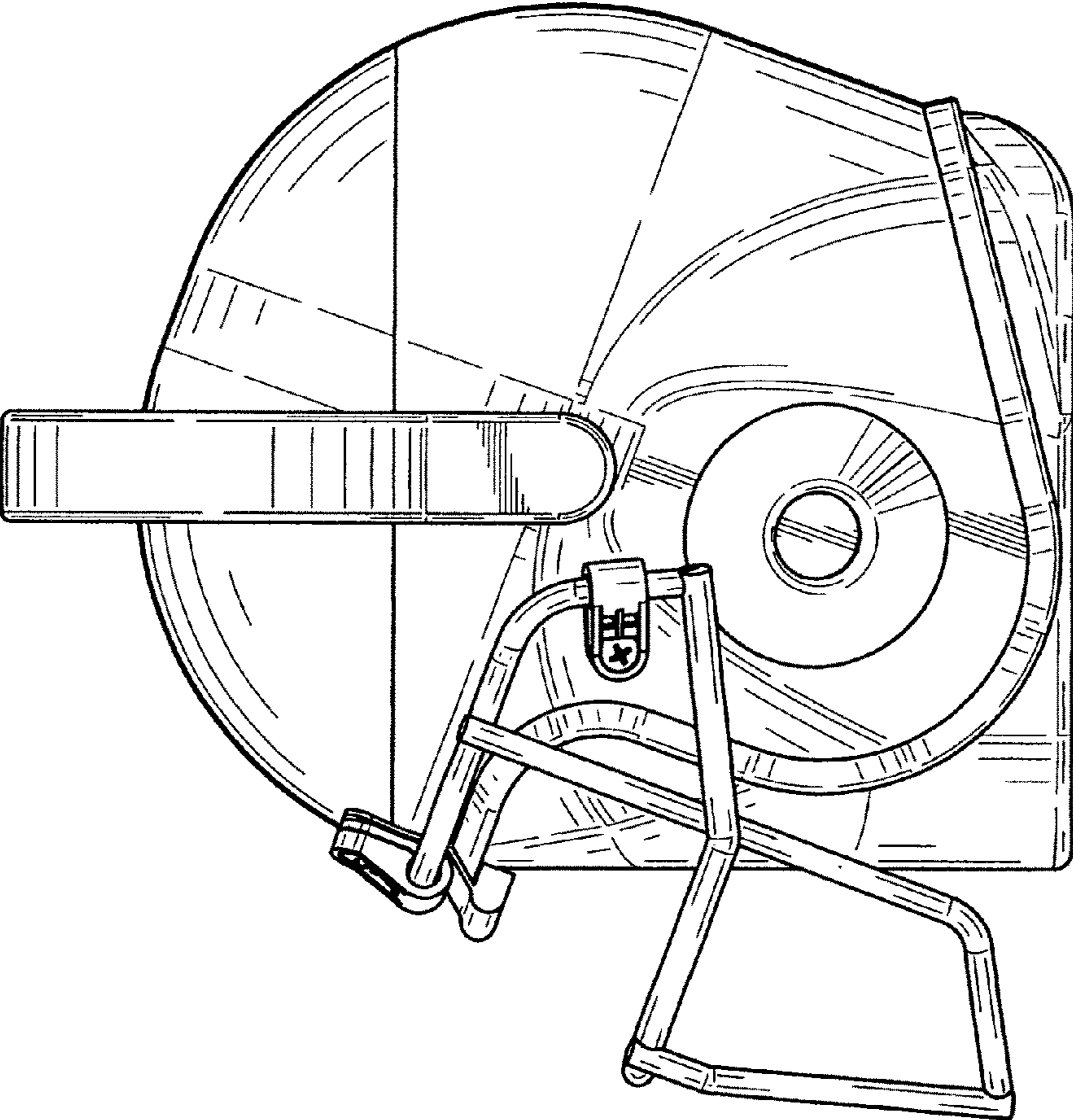


FIG. 4

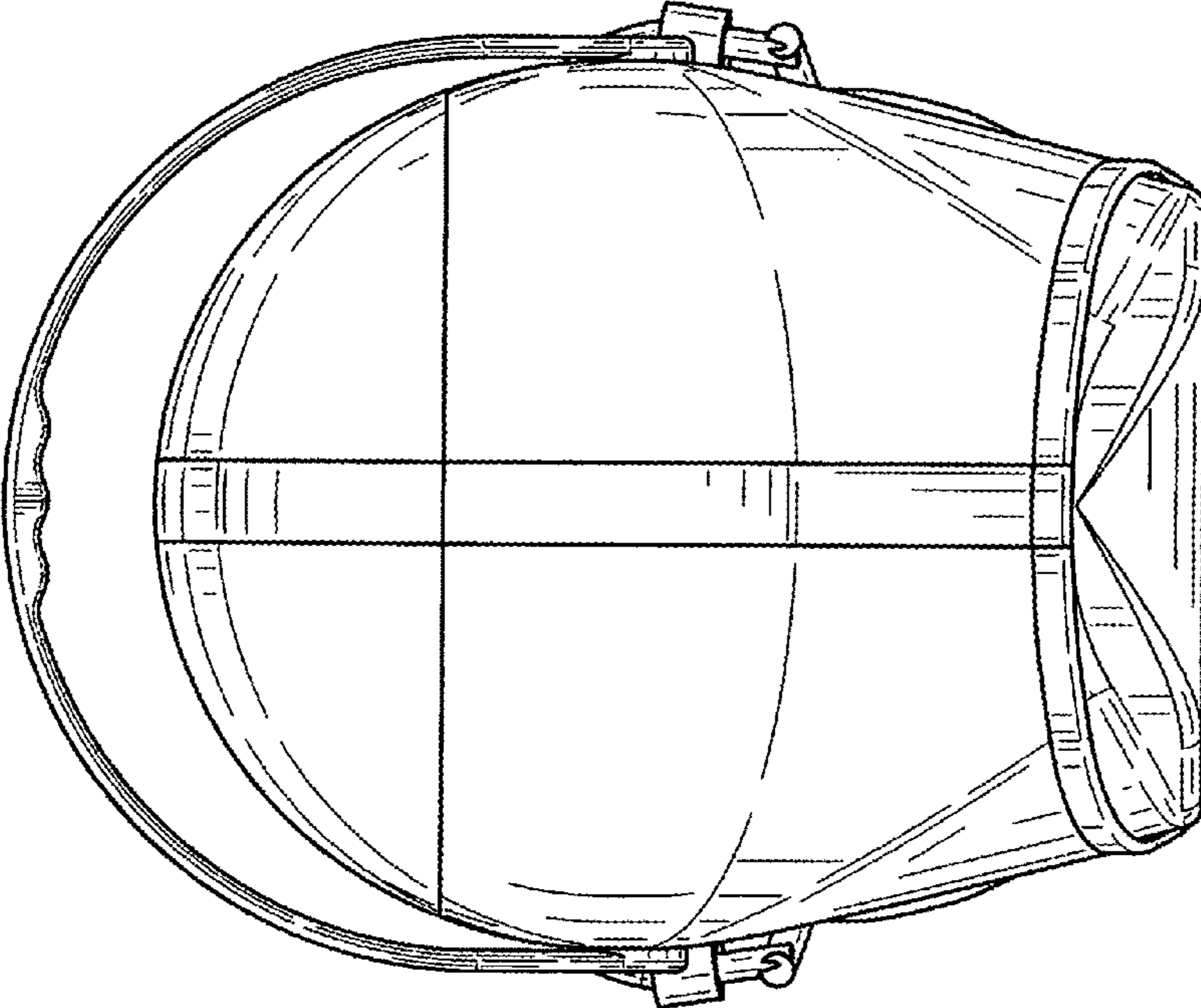


FIG. 5

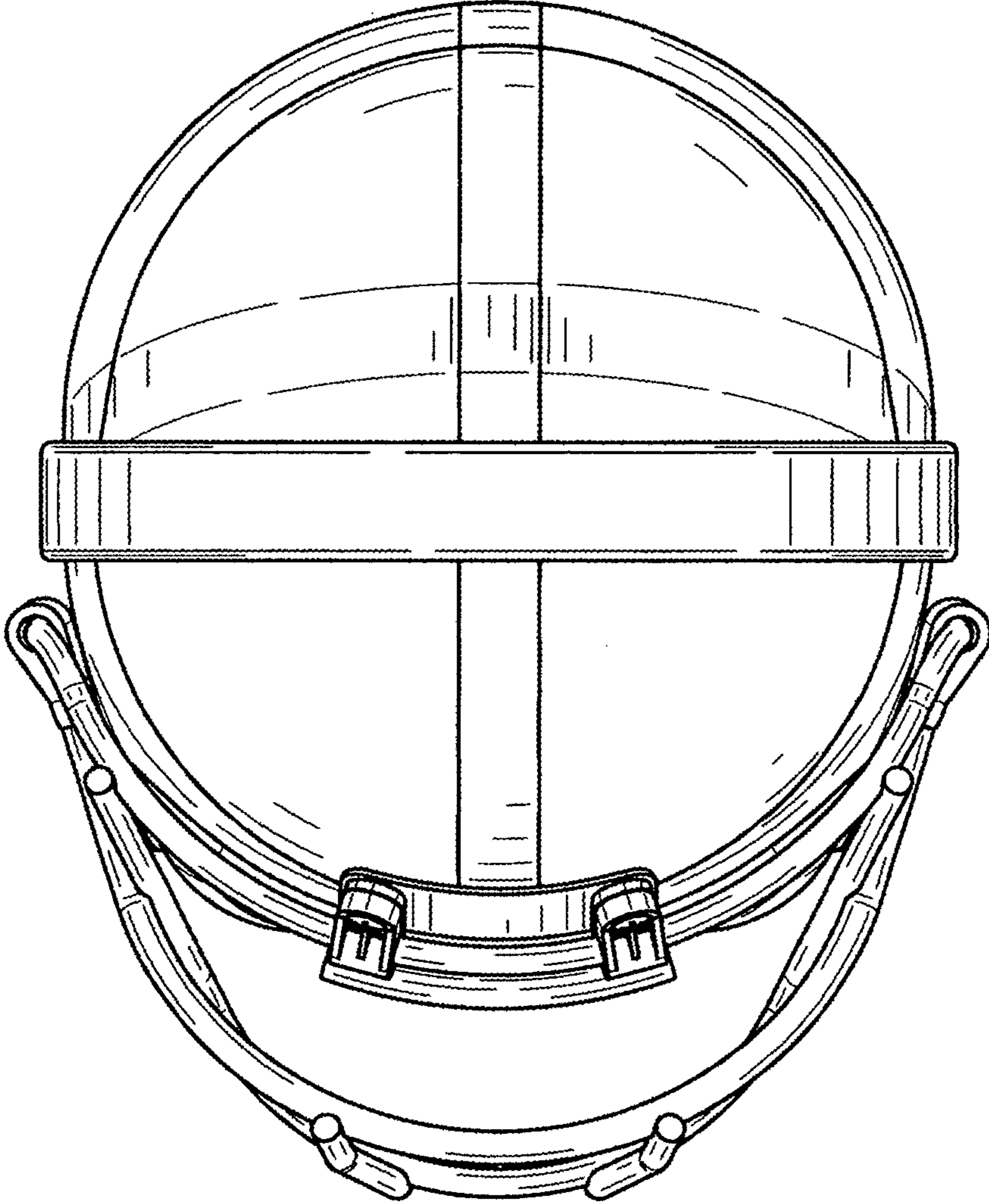


FIG. 6

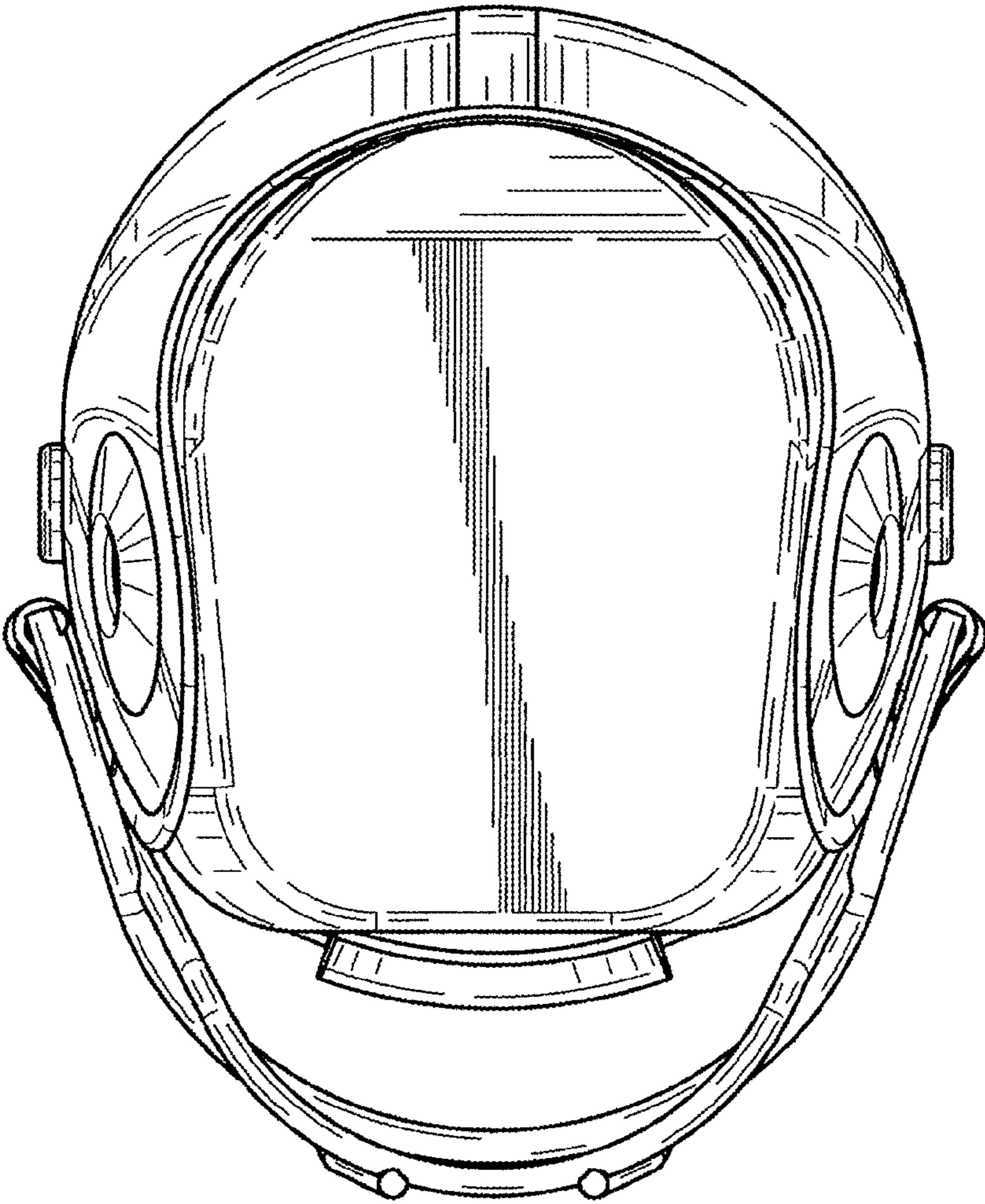


FIG. 7