



US00D749911S

(12) **United States Design Patent**  
**Diamond et al.**

(10) **Patent No.:** **US D749,911 S**

(45) **Date of Patent:** **\*\* Feb. 23, 2016**

(54) **SPORT COOLER**

(71) Applicants: **Sunnie E. Diamond**, Atlanta, GA (US);  
**Star Ruby Lowe**, Atlanta, GA (US)

(72) Inventors: **Sunnie E. Diamond**, Atlanta, GA (US);  
**Star Ruby Lowe**, Atlanta, GA (US)

(\*\*) Term: **14 Years**

(21) Appl. No.: **29/474,515**

(22) Filed: **Oct. 14, 2014**

(51) **LOC (10) Cl.** ..... **07-01**

(52) **U.S. Cl.**  
USPC ..... **D7/606**

(58) **Field of Classification Search**  
USPC ..... D7/603-608, 625, 710, 628;  
62/457.1-457.9, 371, 372; 206/457;  
220/915.1, 915.2, 592.2,  
220/592.24-592.27; D3/270, 271.1, 271.3,  
D3/271.4  
CPC ..... F25D 3/08; F25D 3/00; F25D 3/06  
See application file for complete search history.

(56) **References Cited**

**U.S. PATENT DOCUMENTS**

D231,523 S \* 4/1974 Baker ..... D12/16  
D232,011 S \* 7/1974 Denton ..... D29/106  
4,566,292 A \* 1/1986 Parmet ..... F25D 3/08  
215/286  
D314,492 S \* 2/1991 Weller ..... D7/604  
D349,216 S \* 8/1994 Steinfels, III ..... D7/623  
D349,630 S \* 8/1994 Redmon ..... D7/606  
D352,211 S \* 11/1994 Rucks ..... D7/606

D369,529 S \* 5/1996 Blankenburg ..... D29/106  
D434,607 S \* 12/2000 Hansen ..... D7/606  
D503,311 S \* 3/2005 Strobel ..... D7/604  
D521,322 S \* 5/2006 Loving ..... D7/606  
D524,115 S \* 7/2006 Meyer ..... D7/604  
D599,625 S \* 9/2009 Lessells ..... D7/606  
D613,128 S \* 4/2010 Blakeman ..... D7/606  
D685,228 S \* 7/2013 Daugherty ..... D7/606  
2003/0168371 A1 \* 9/2003 Weimer ..... A45C 11/20  
206/457

\* cited by examiner

*Primary Examiner* — Terry Wallace

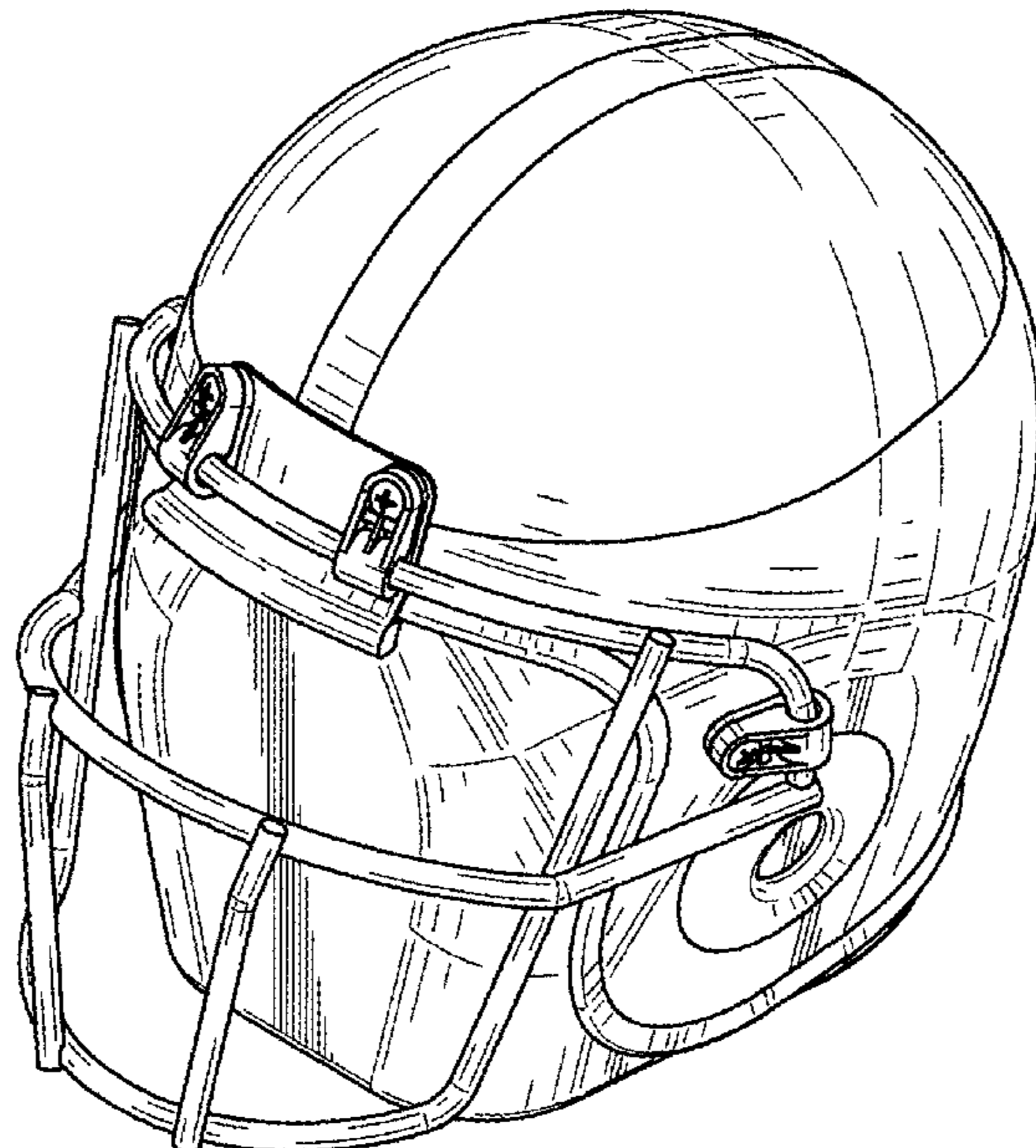
(57) **CLAIM**

The ornamental design for a sport cooler, as shown and described.

**DESCRIPTION**

FIG. 1 is a top, right side perspective view of a sport cooler showing our new design.  
FIG. 2 is a bottom, left side perspective view thereof.  
FIG. 3 is a front view thereof.  
FIG. 4 is a right side view thereof.  
FIG. 5 is a rear view thereof.  
FIG. 6 is a top plan view thereof.  
FIG. 7 is a bottom plan view thereof.  
FIG. 8 is a top, right side perspective view thereof with the handle extended.  
FIG. 9 is a bottom, left side perspective view of FIG. 8.  
FIG. 10 is a front view of FIG. 8.  
FIG. 11 is a right side view of FIG. 8.  
FIG. 12 is a rear view of FIG. 8.  
FIG. 13 is a top plan view of FIG. 8; and,  
FIG. 14 is a bottom plan view of FIG. 8.

**1 Claim, 14 Drawing Sheets**



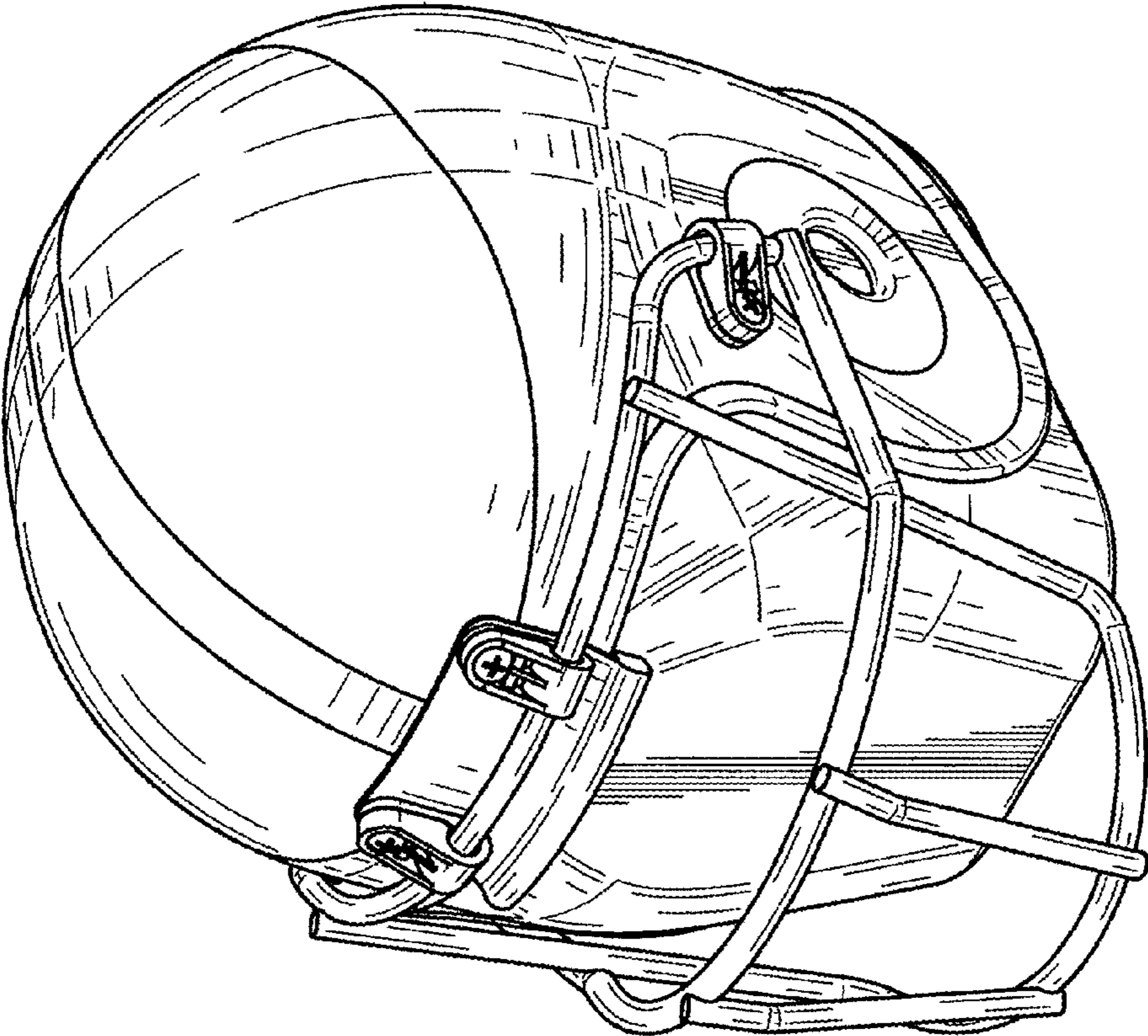


FIG. 1

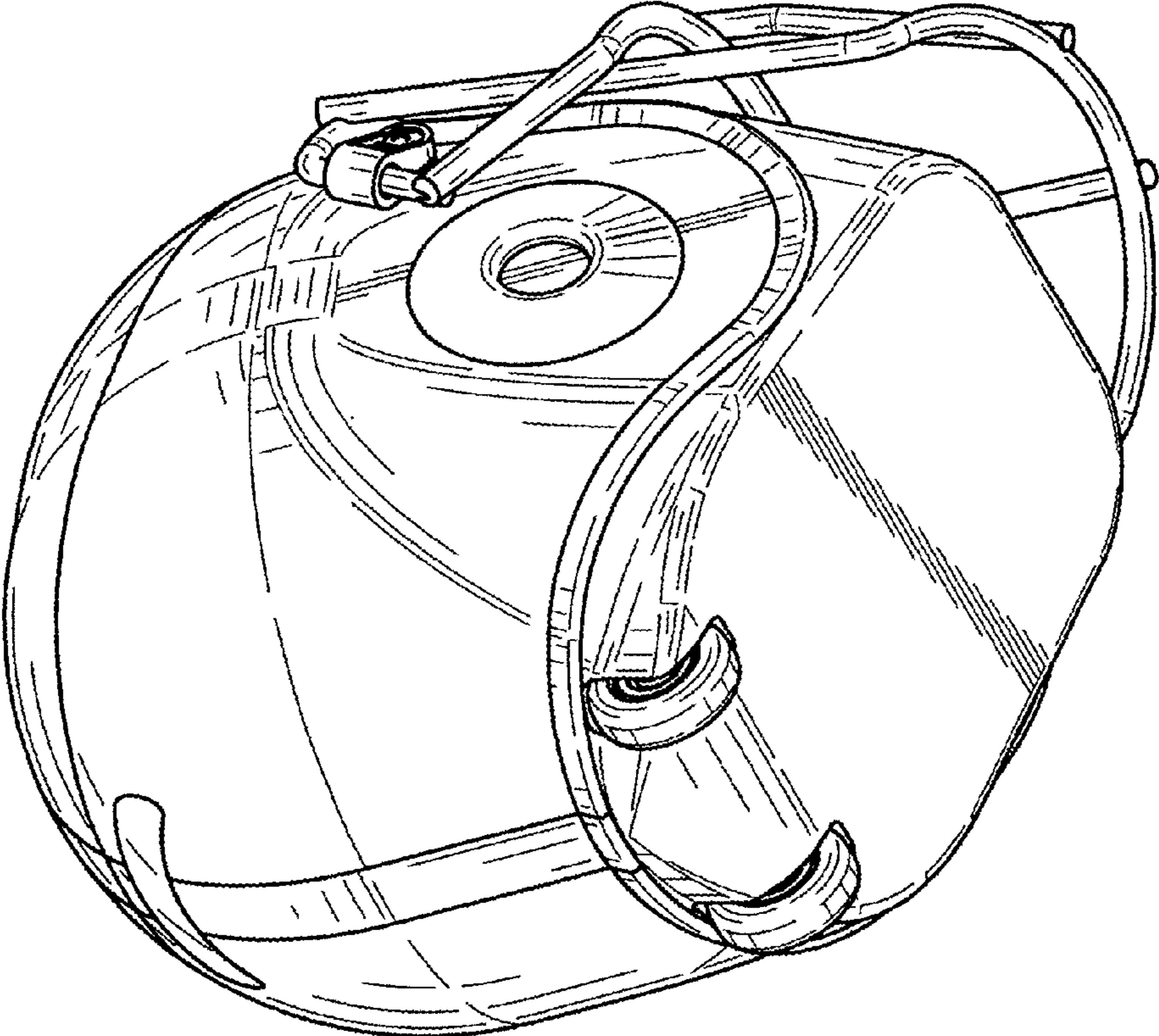


FIG. 2

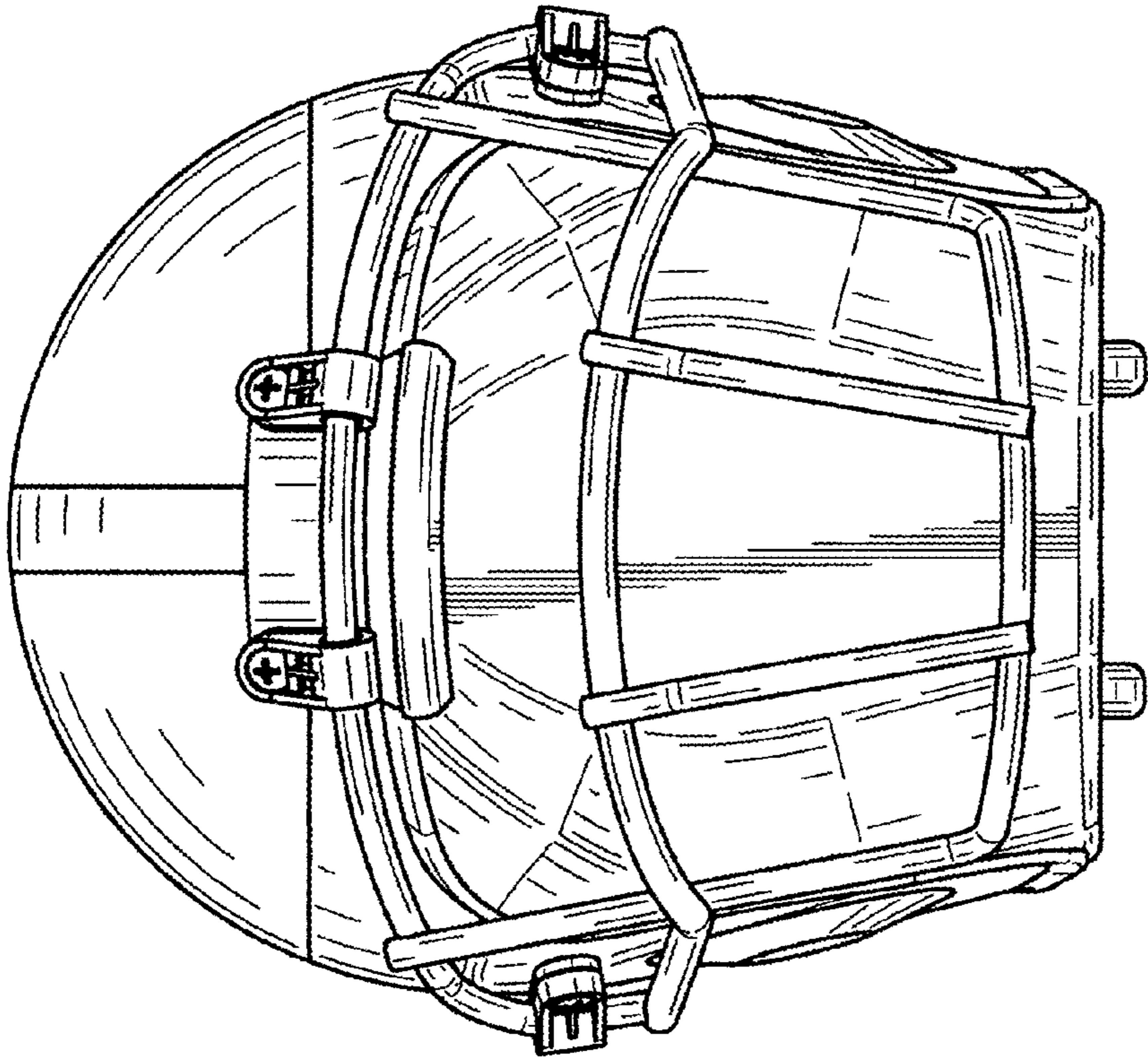


FIG. 3

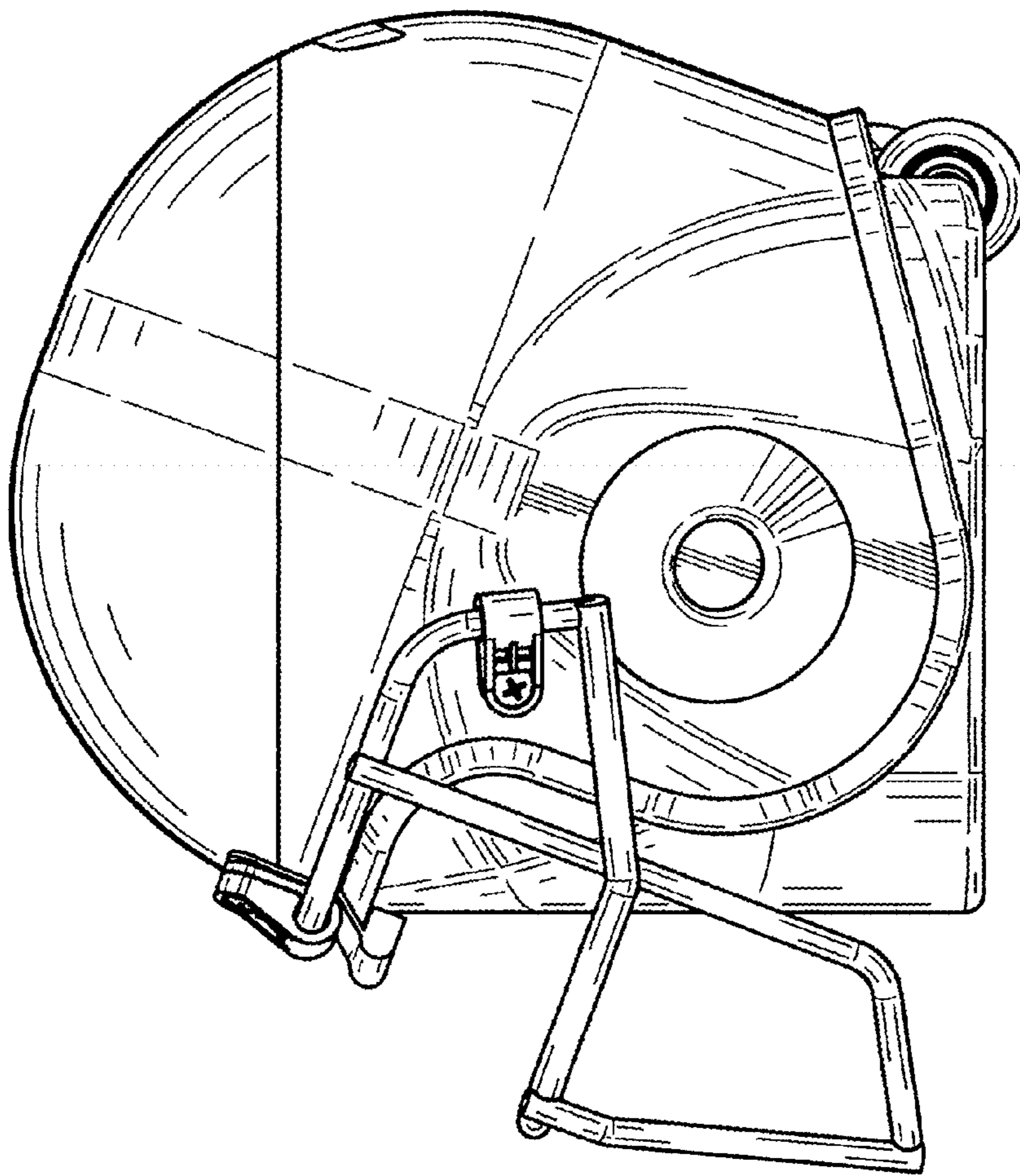


FIG. 4

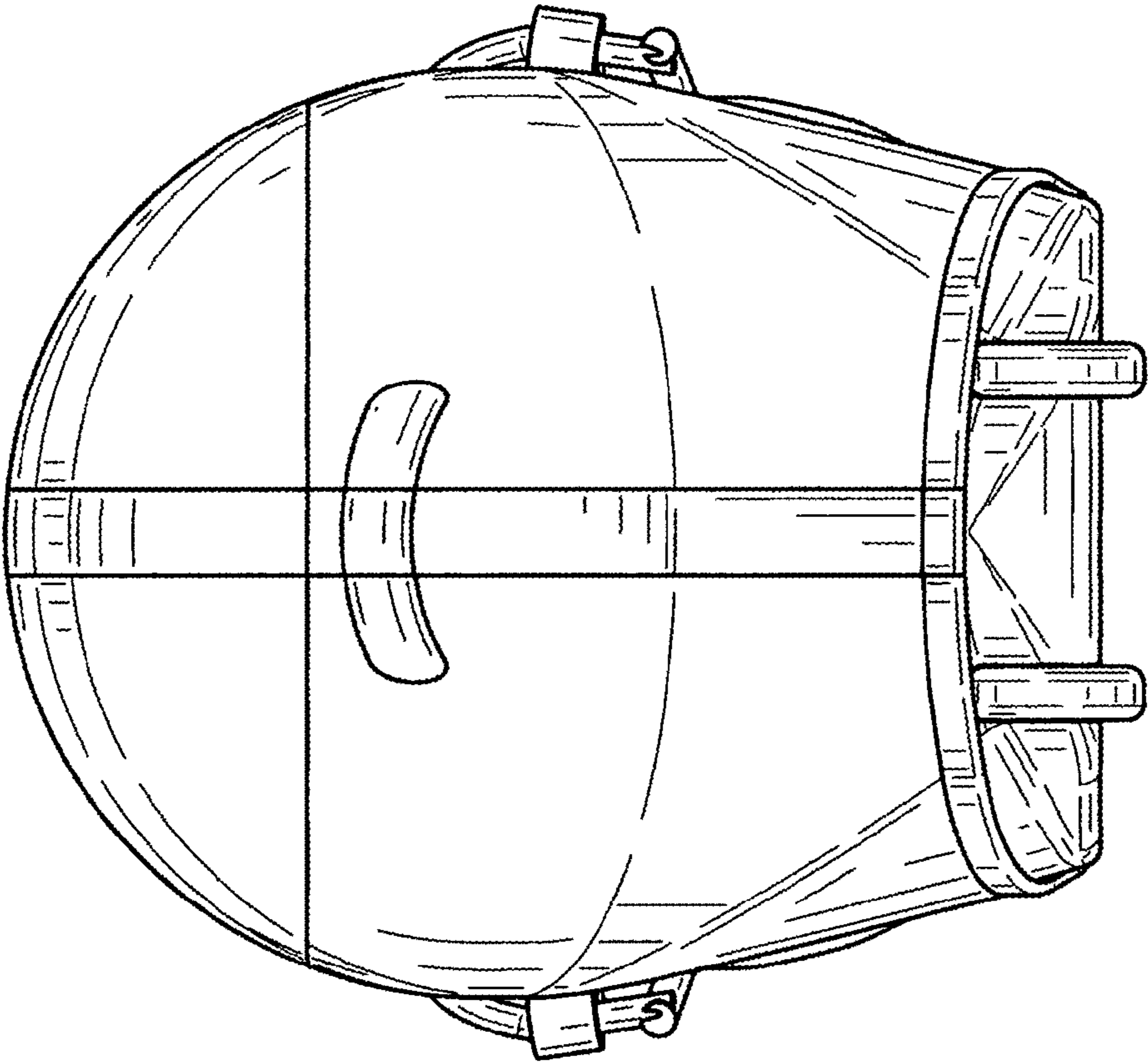


FIG. 5

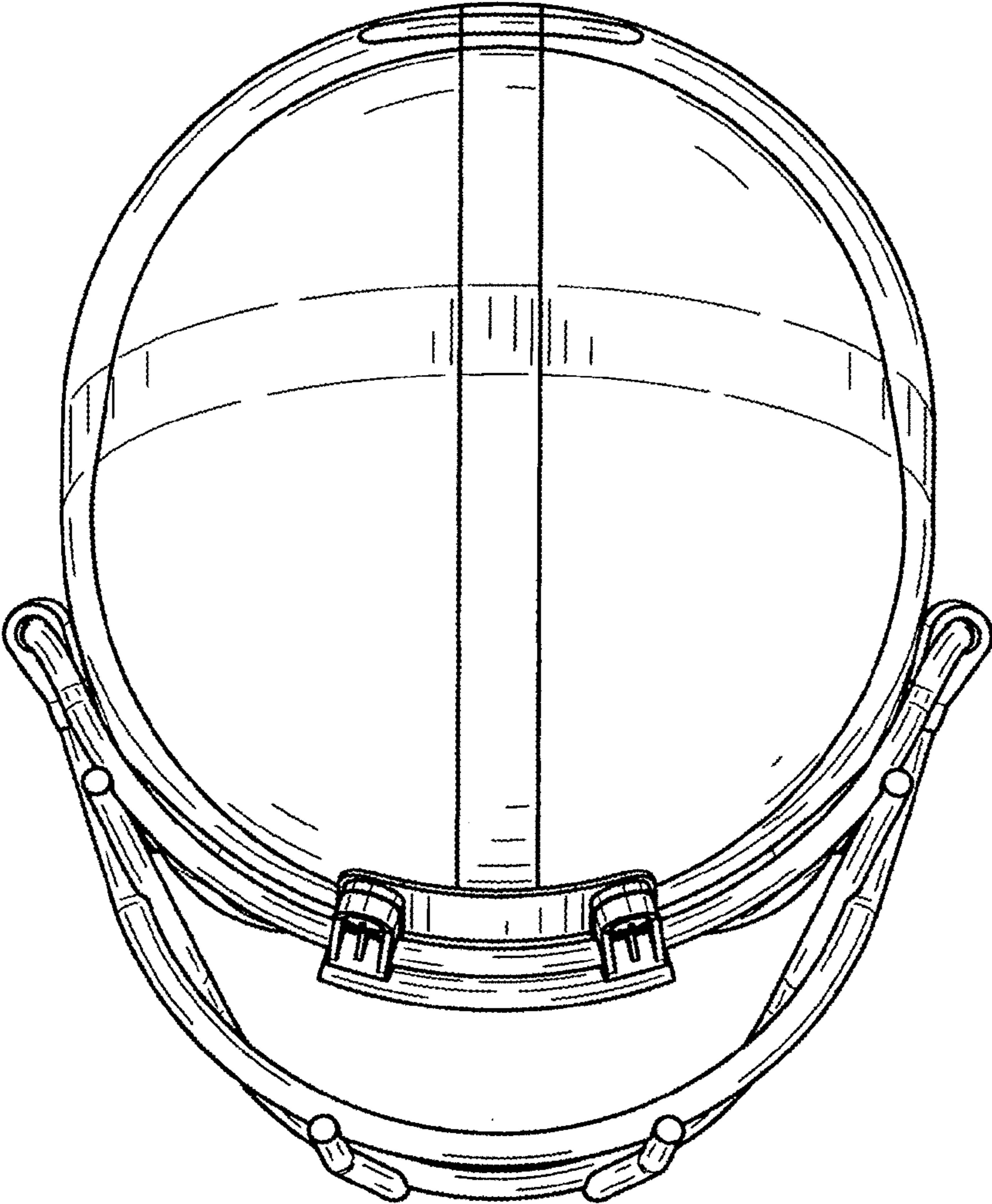


FIG. 6

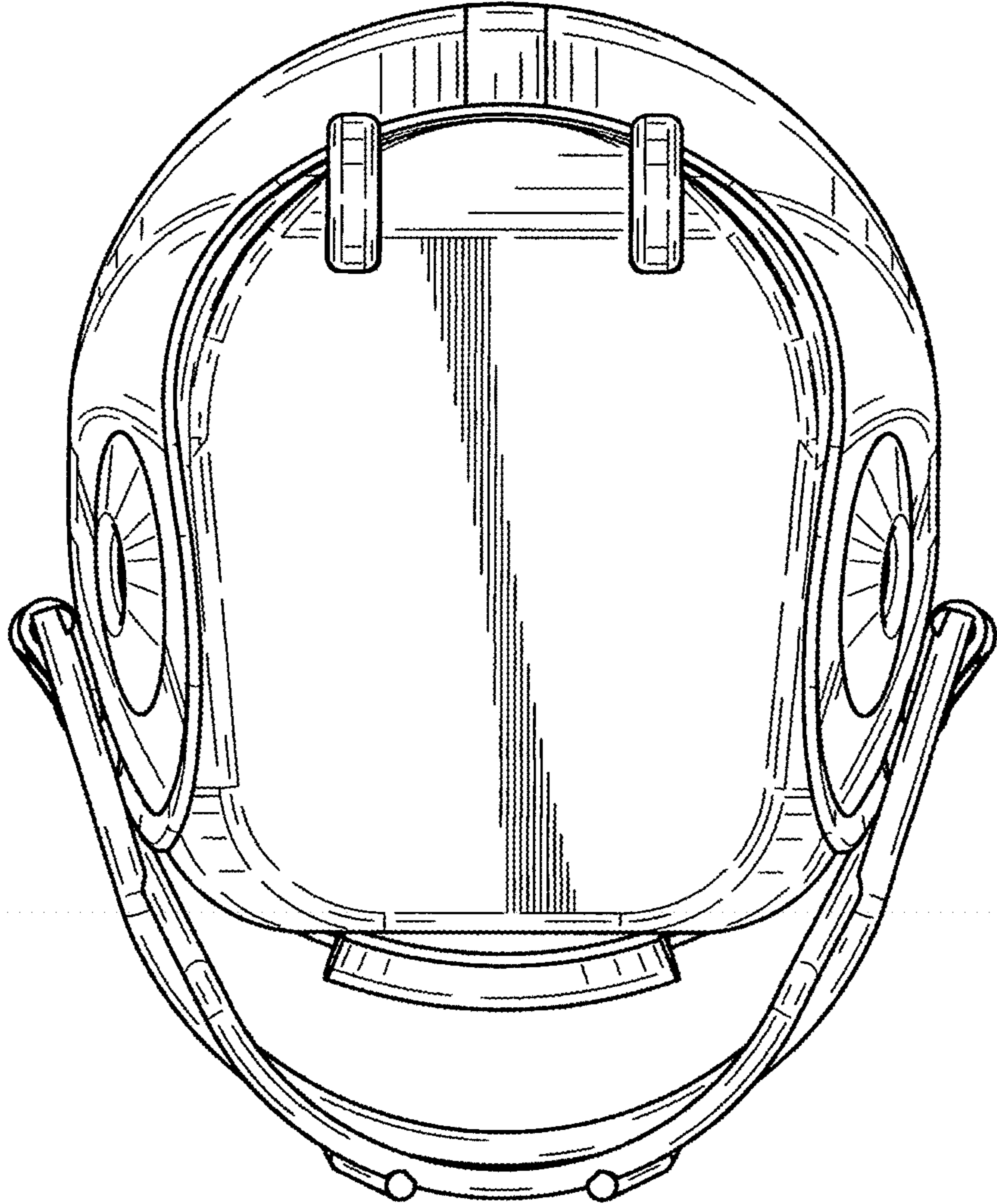


FIG. 7



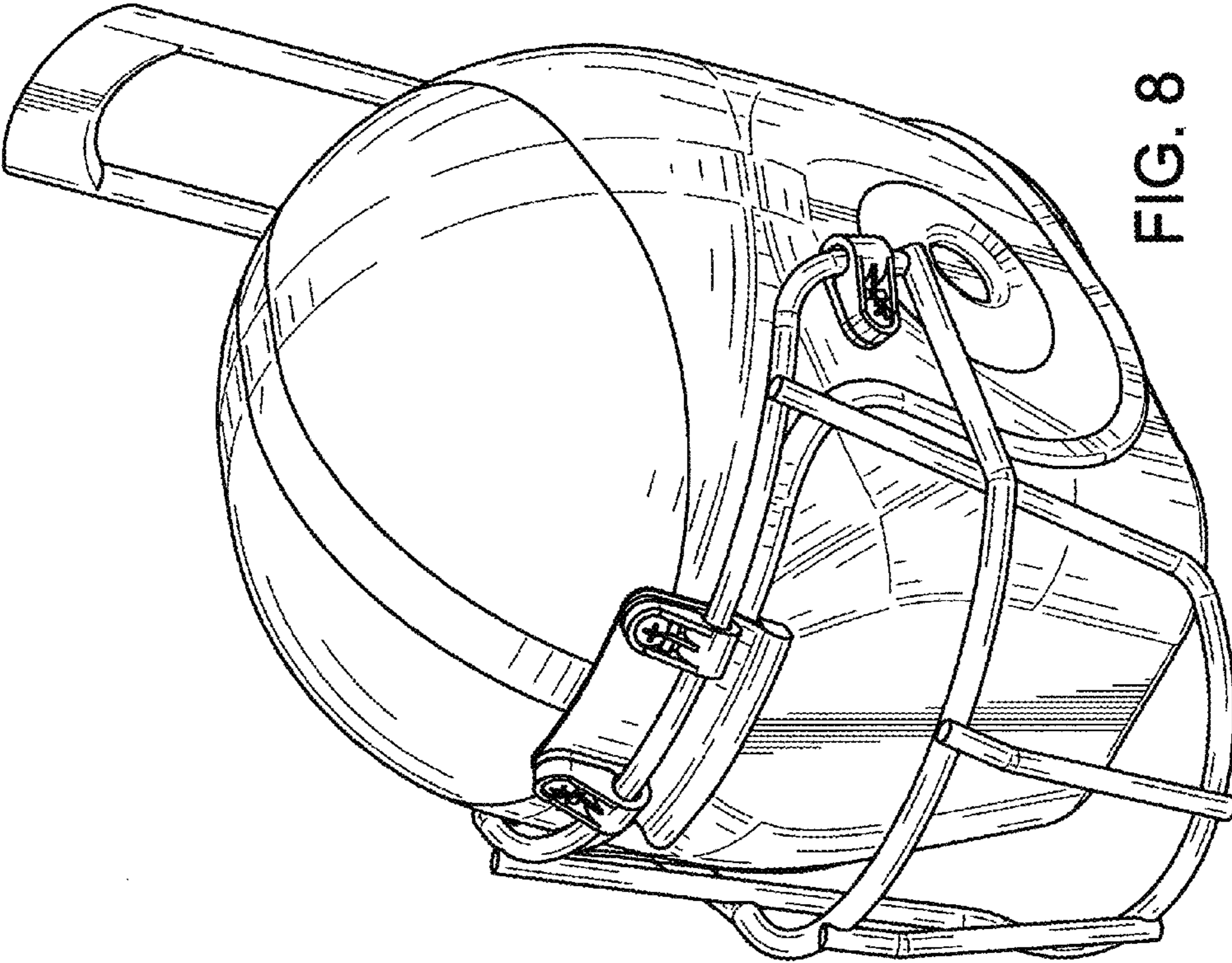


FIG. 8

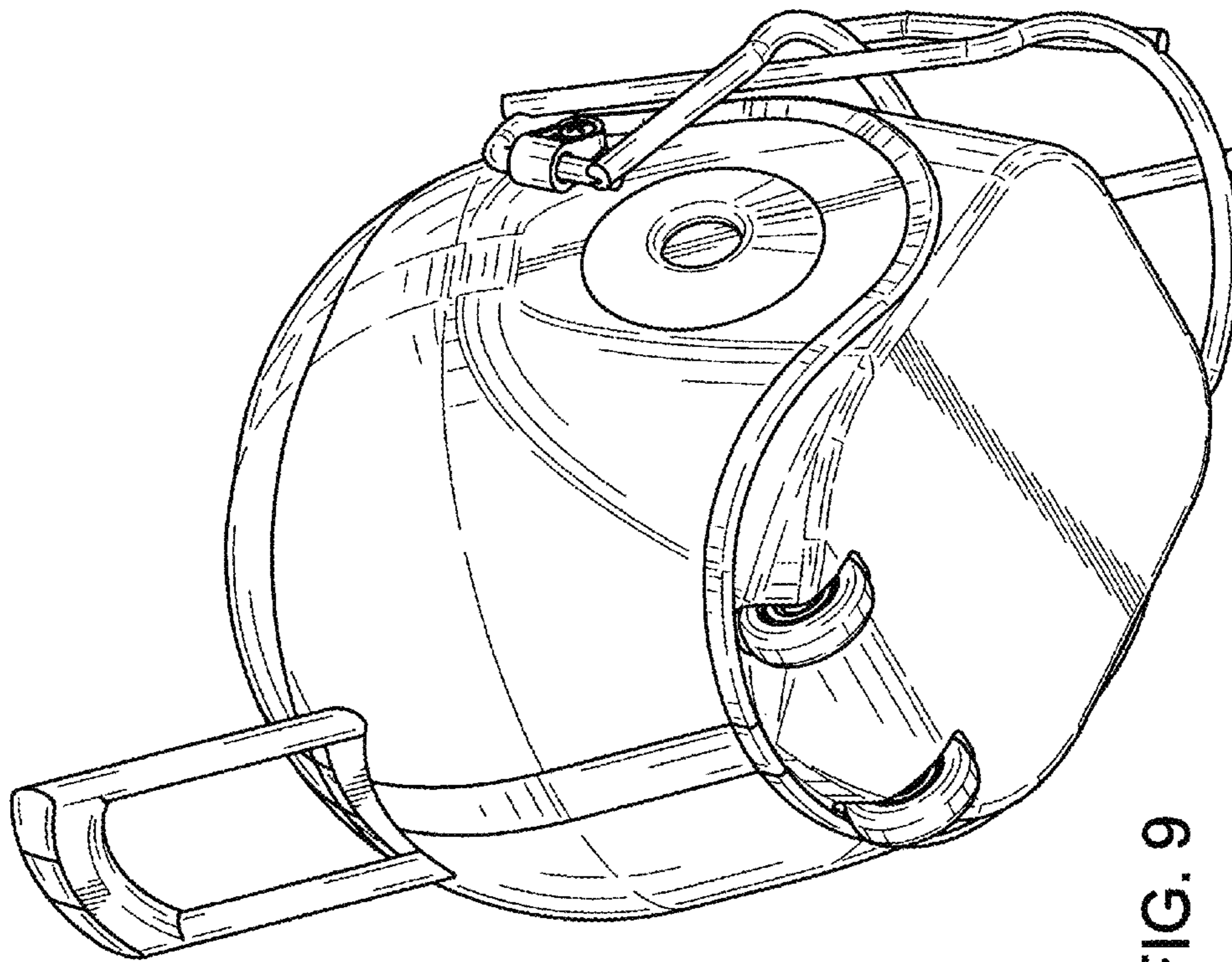


FIG. 9

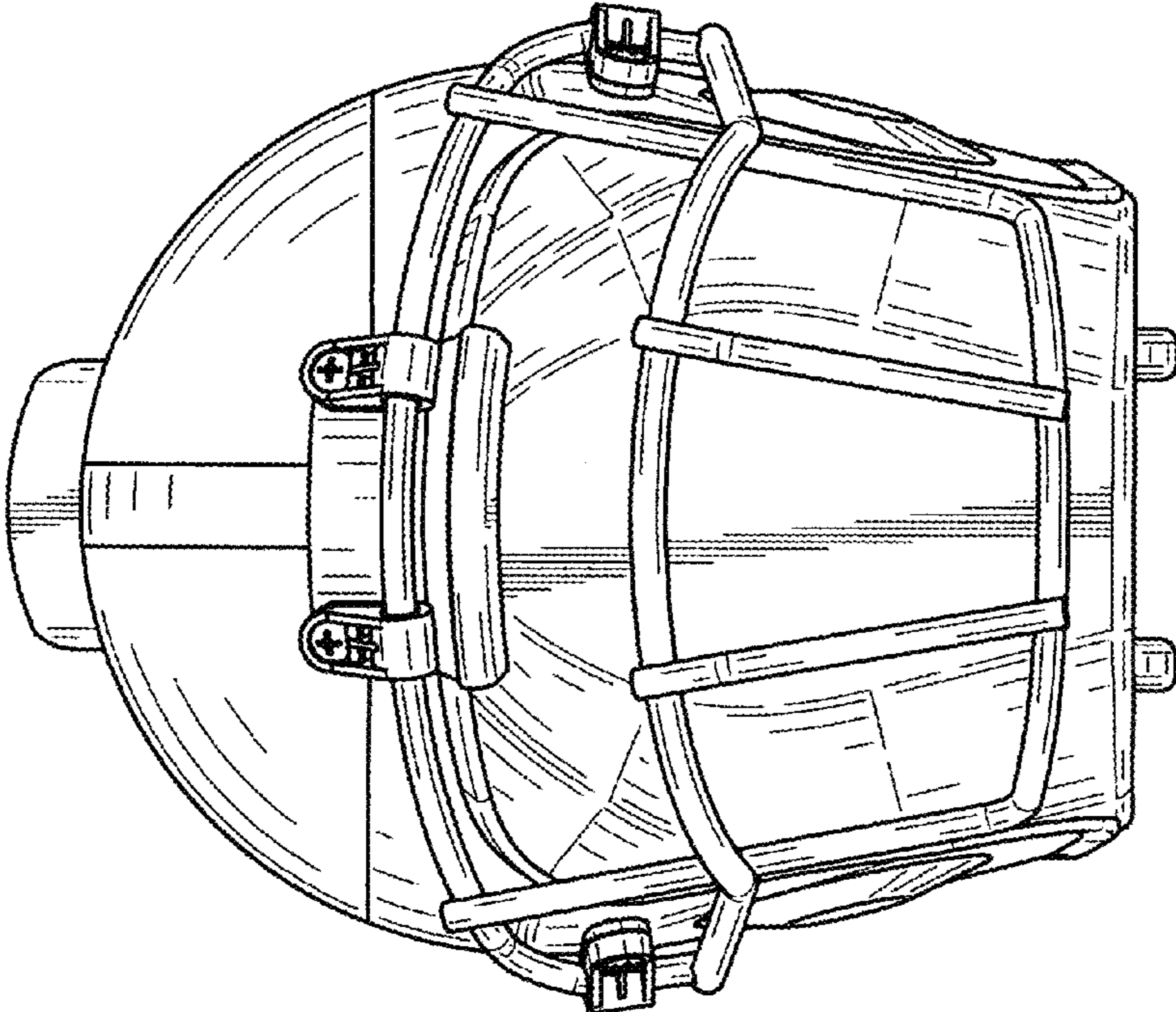


FIG. 10

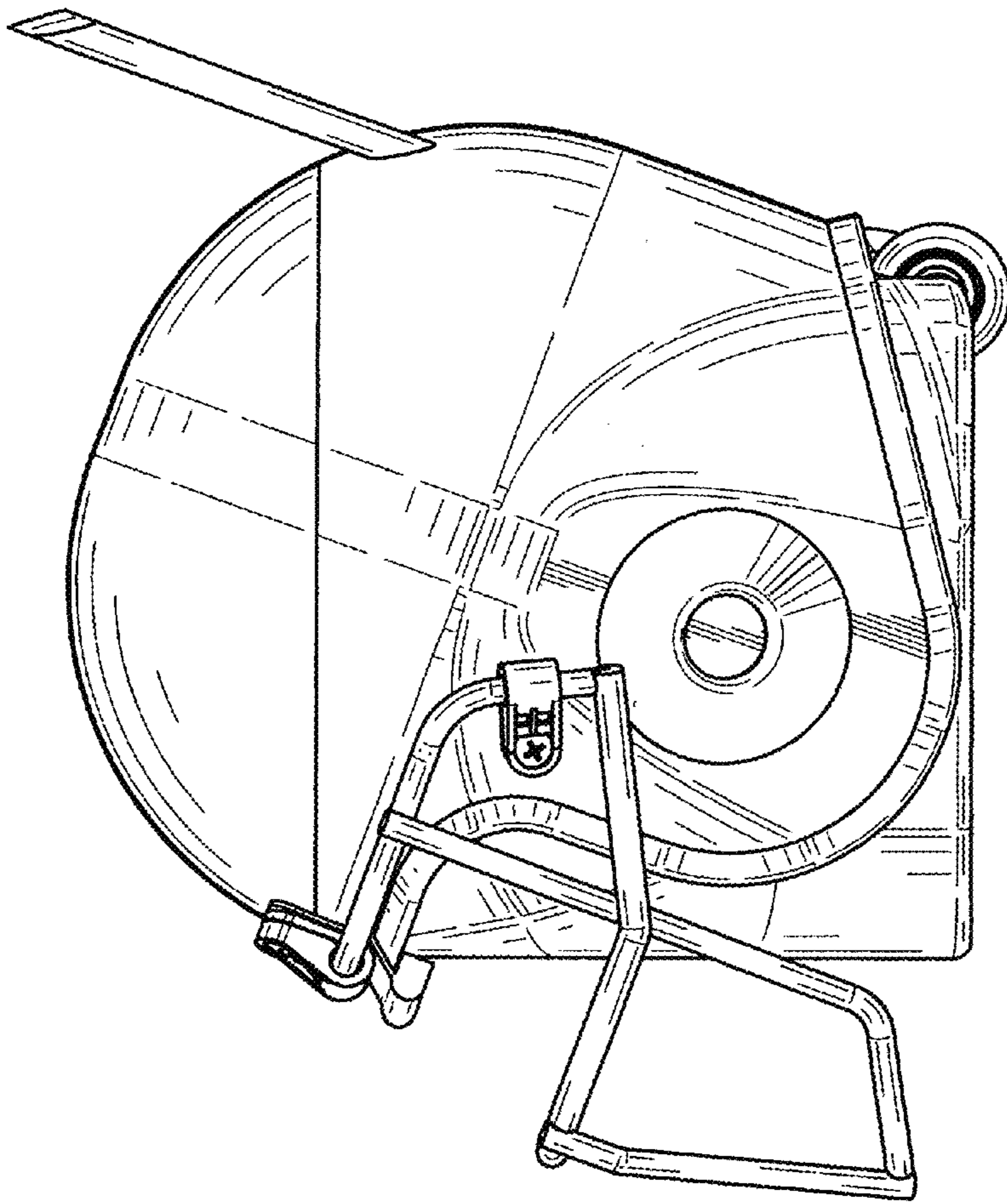


FIG. 11

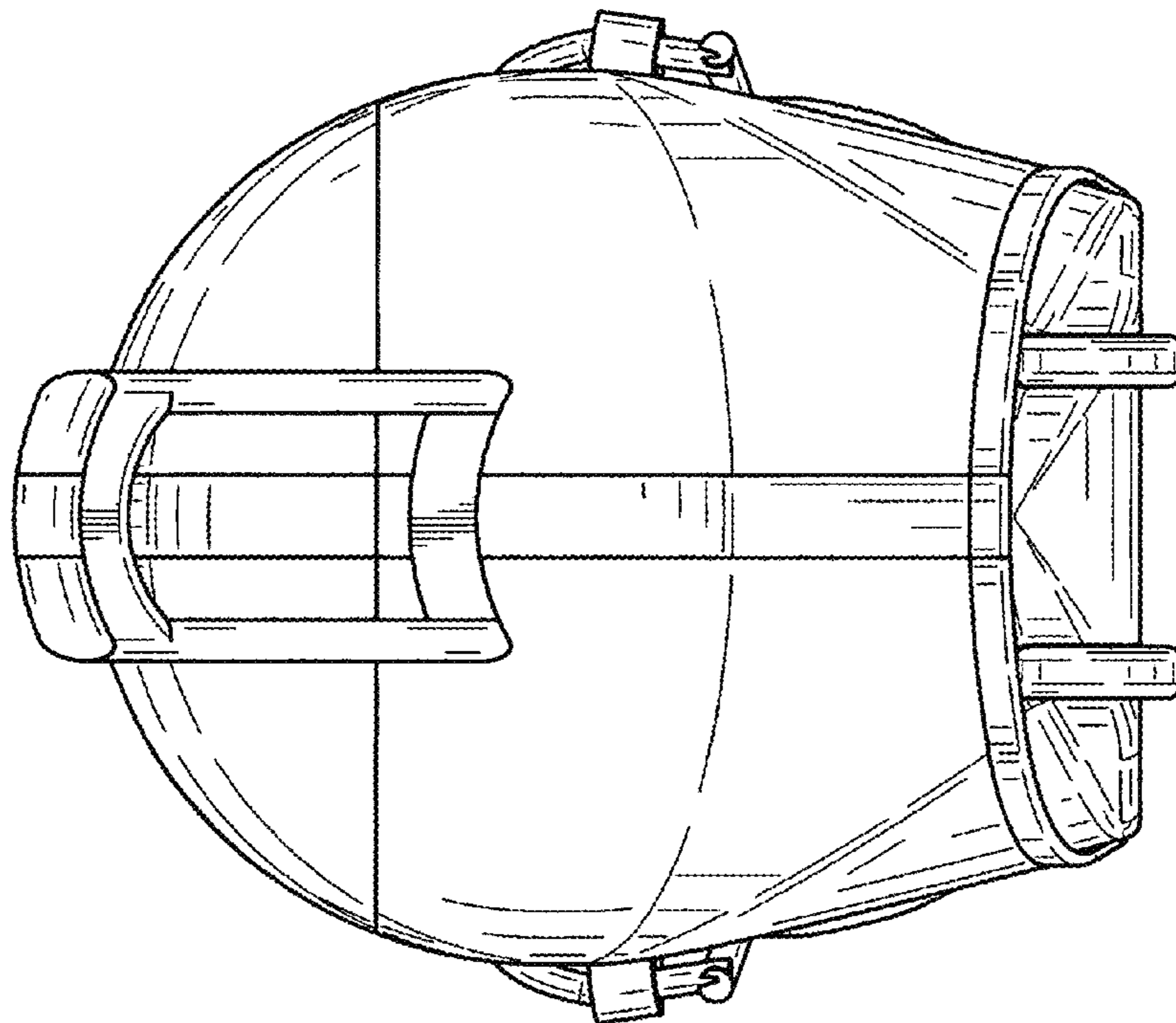


FIG. 12

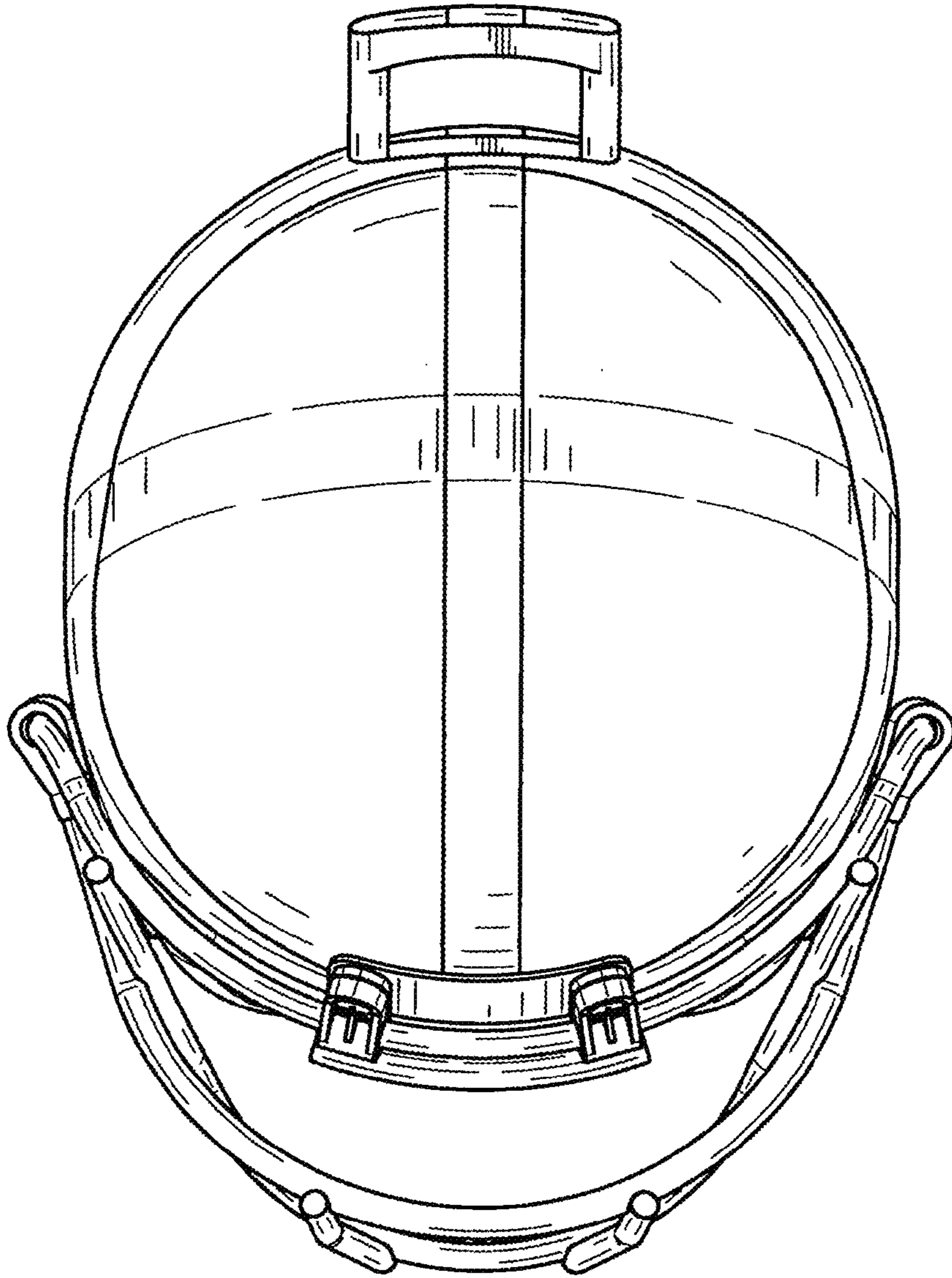


FIG. 13

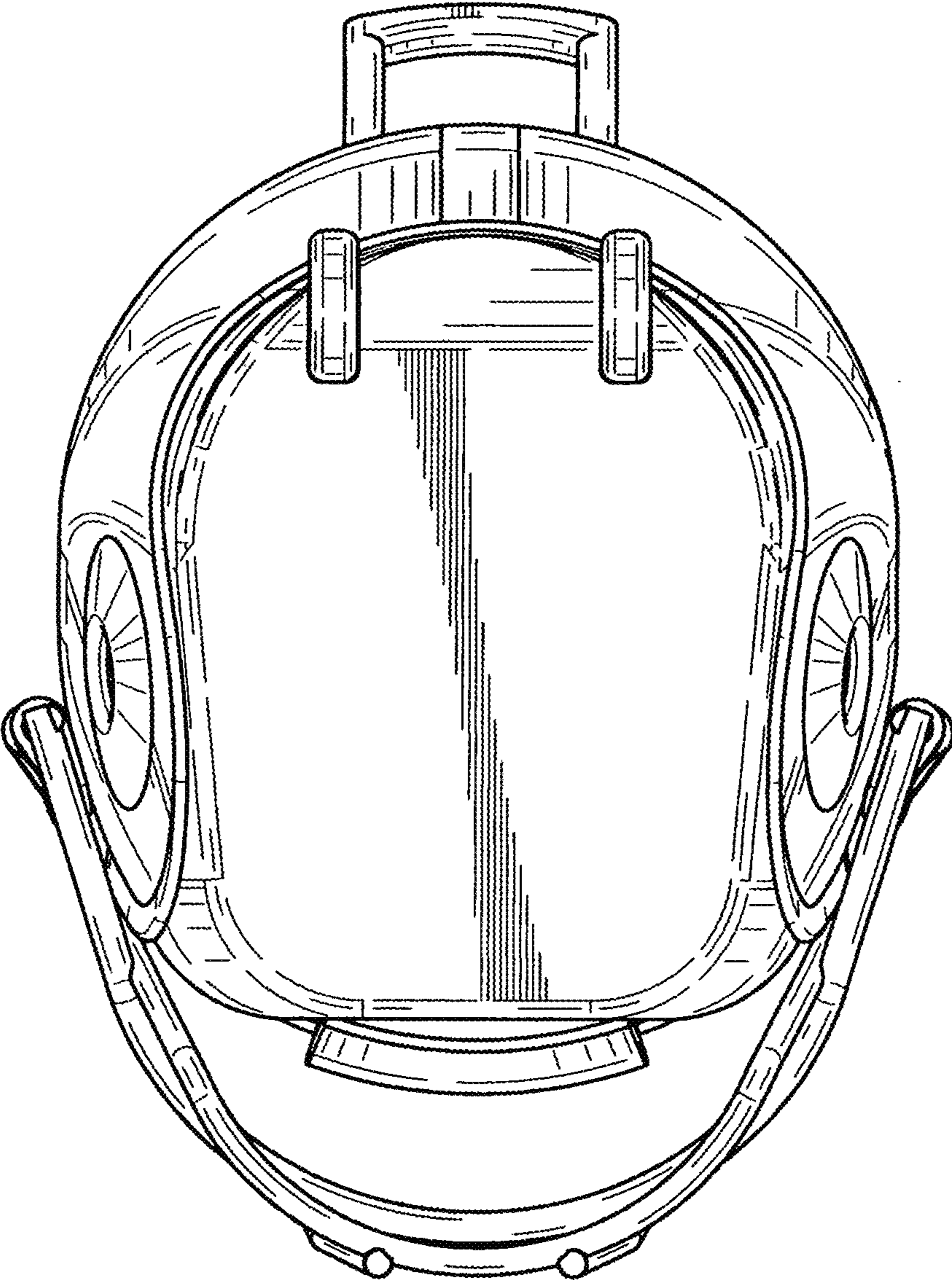


FIG. 14