



US00D749905S

(12) **United States Design Patent**
Fenlong

(10) **Patent No.:** **US D749,905 S**

(45) **Date of Patent:** **** *Feb. 23, 2016**

(54) **ANGLED GRILL PATTERN**

(56) **References Cited**

(71) Applicant: **Michael Fenlong**, Dekalb Junction, NY
(US)

U.S. PATENT DOCUMENTS

(72) Inventor: **Michael Fenlong**, Dekalb Junction, NY
(US)

63,753 A *	4/1867	Russell	99/402
D27,673 S *	9/1897	Greger	D25/36
D31,043 S *	6/1899	Smith	D7/409
D201,383 S *	6/1965	Kesilman	D32/3
3,765,397 A *	10/1973	Henderson	126/25 R
D338,750 S *	8/1993	Chandler	D32/3
D342,184 S *	12/1993	Sanchez	D7/335
D344,874 S	3/1994	Howard	
D361,468 S	8/1995	Wilkes	
D368,340 S *	3/1996	Mussmacher et al.	D32/3
D369,939 S *	5/1996	Gibbs	D7/335
D416,442 S *	11/1999	Gilchrist	D7/409
D423,867 S *	5/2000	Cael et al.	D7/332
D577,946 S *	10/2008	Carroll	D7/336
D623,013 S	9/2010	Alden	
D648,983 S	11/2011	Zemel	
D657,192 S *	4/2012	Trussell	D7/408

(*) Notice: This patent is subject to a terminal disclaimer.

(**) Term: **14 Years**

(21) Appl. No.: **29/432,834**

(22) Filed: **Sep. 21, 2012**

(51) **LOC (10) Cl.** **07-02**

(52) **U.S. Cl.**
USPC **D7/409**

(58) **Field of Classification Search**
 USPC D7/332, 335-337, 354-355, 359-364,
 D7/387-388, 402, 407-409, 323; D25/36;
 D32/3; 99/402, 419, 421 H, 421 V,
 99/422-426, 448, 450, 324; 126/1 R,
 126/25 AA, 25 R, 41 R, 214 C, 332, 337 R,
 126/339; 220/571, 573.1-573.3; 312/410;
 426/509, 523
 CPC A21B 2/00; A21B 3/00; A21B 3/13;
 A21B 3/15; A21B 5/00; A21B 5/02; A23N
 12/06; A23N 12/08; A23N 12/10; A47J
 37/00; A47J 37/04; A47J 37/041; A47J
 37/042; A47J 37/06; A47J 37/0688; A47J
 37/0694; A47J 37/07; A47J 37/0704; A47J
 37/0763; A47J 37/10; A47J 47/20; A47J
 2037/00; A47J 2037/06; A47J 2037/0611;
 A47J 2037/07; A47J 2037/0786; A47J
 2037/0795; F24C 15/10; F24C 15/12; F24C
 15/14; F24C 15/16; F24C 15/164; F24C
 15/18

* cited by examiner

Primary Examiner — Ricky Pham
(74) *Attorney, Agent, or Firm* — Daniel Boudwin; Global Intellectual Property Agency

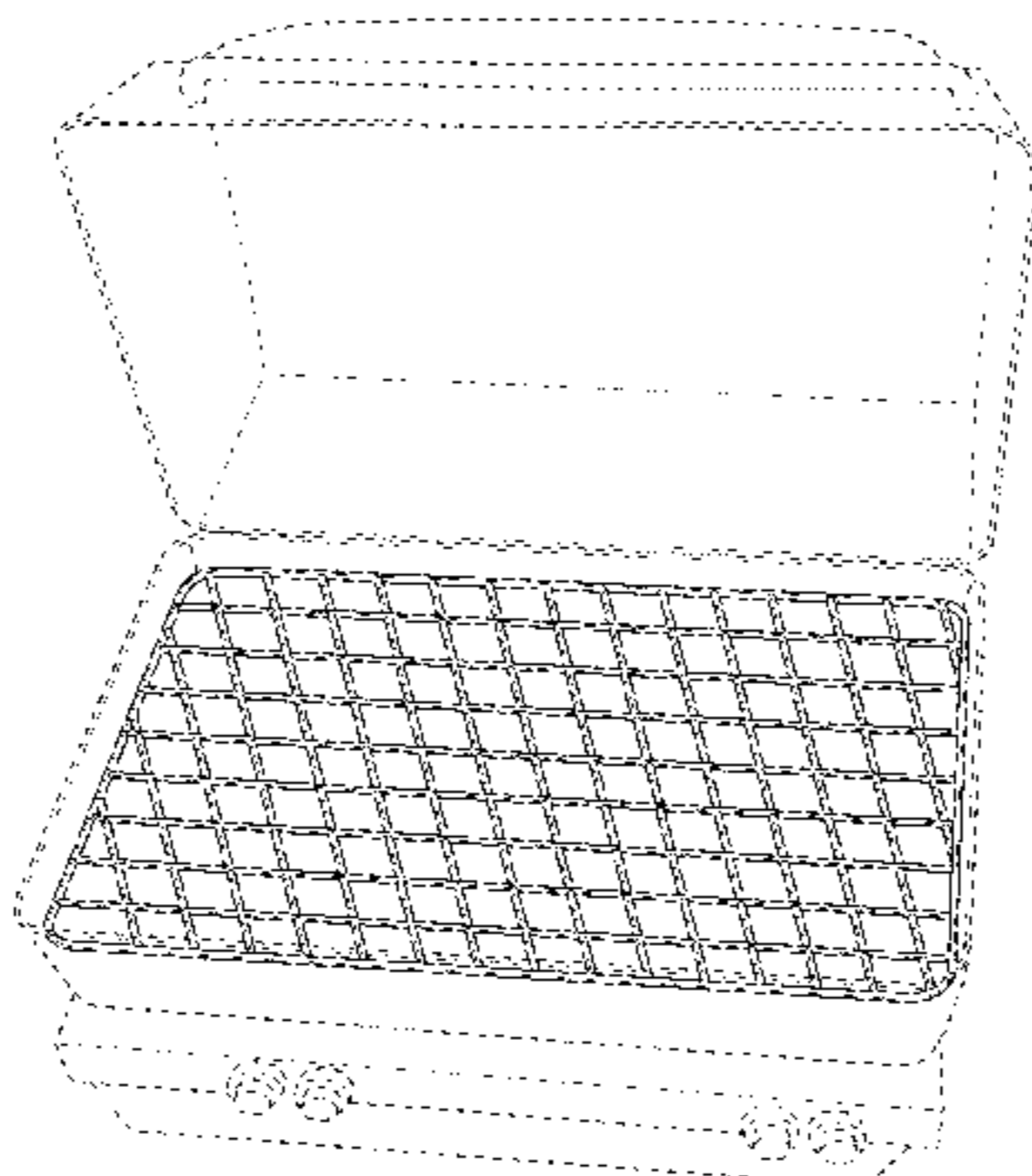
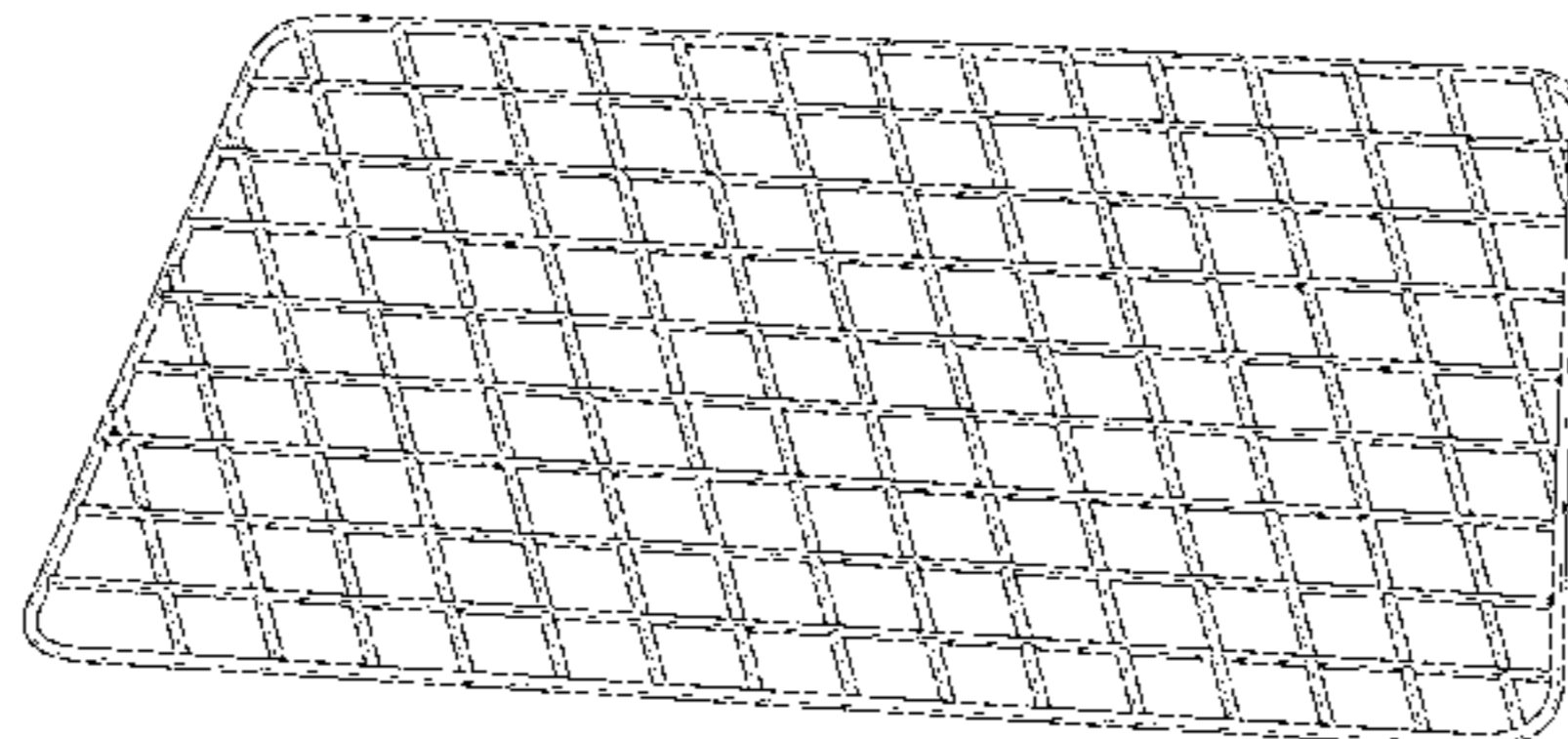
(57) **CLAIM**
The ornamental design for an angled grill pattern, as shown and described.

DESCRIPTION

FIG. 1 is an overhead perspective view of the present invention.
 FIG. 2 is an overhead view of the present invention.
 FIG. 3 is a left side view of the present invention.
 FIG. 4 is an underside view of the present invention.
 FIG. 5 is a right side view of the present invention.
 FIG. 6 is a first end view of the present invention.
 FIG. 7 is a second end view of the present invention; and,
 FIG. 8 is an overhead perspective view of the present invention in use.

See application file for complete search history.

1 Claim, 5 Drawing Sheets



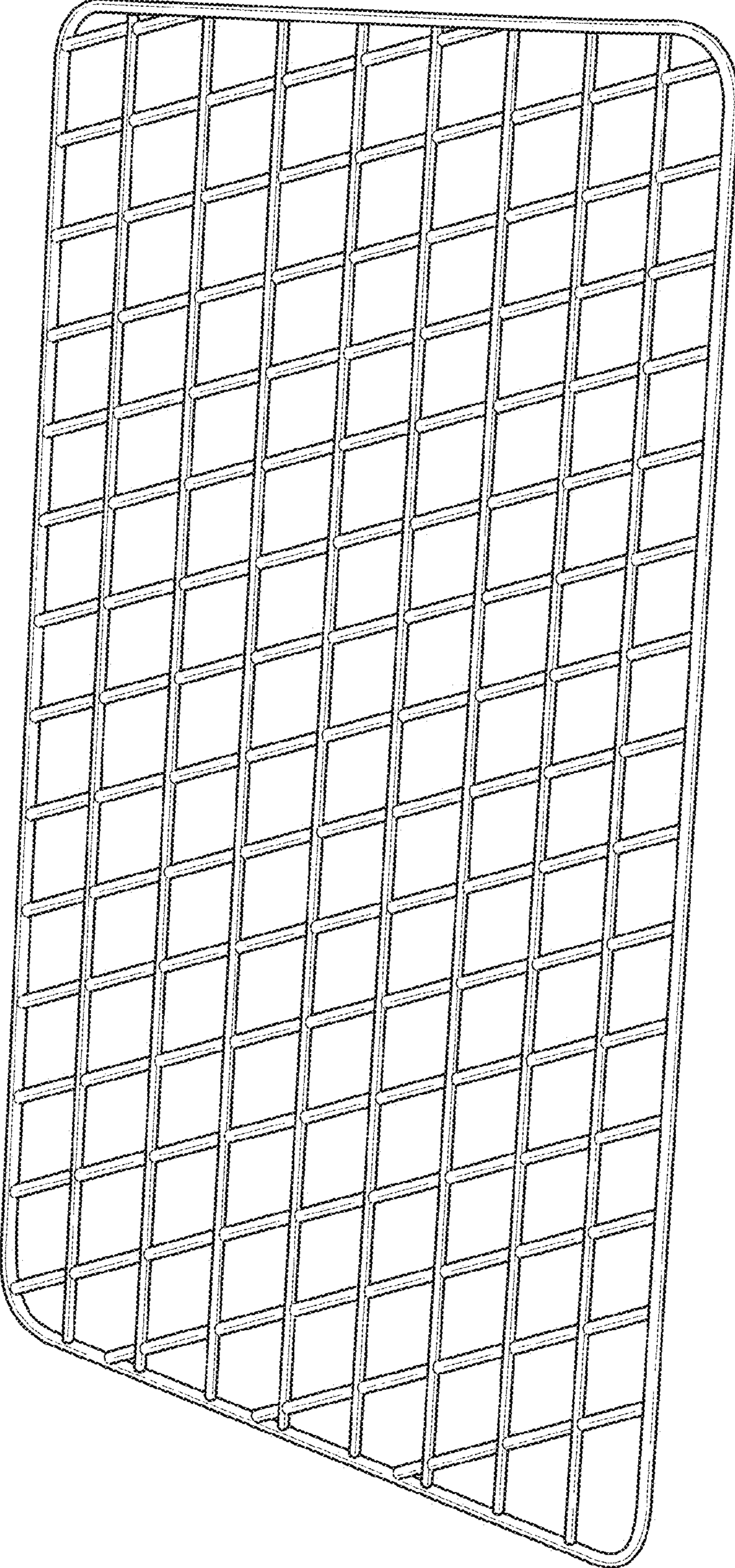


FIG. 1

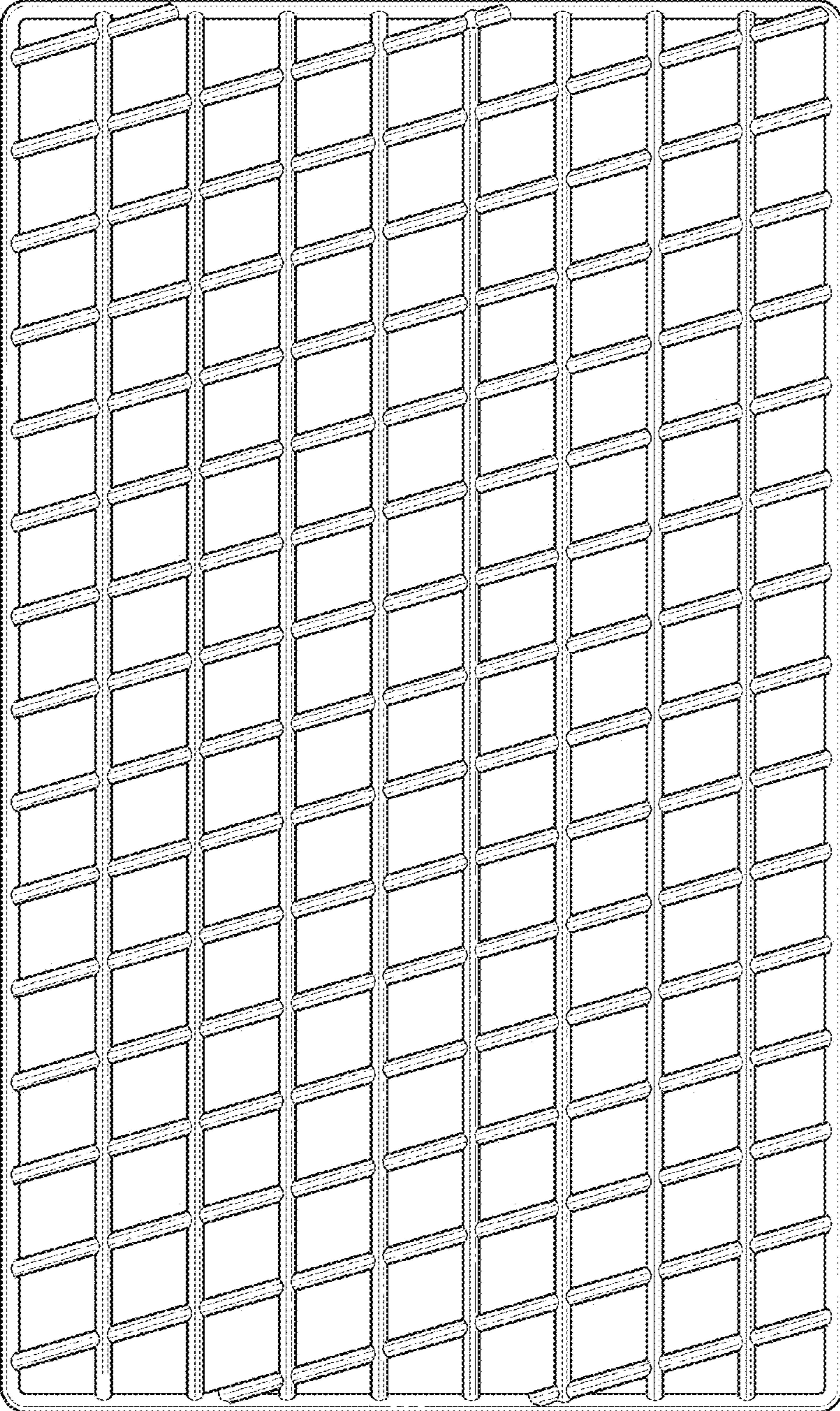


FIG. 2



FIG. 3

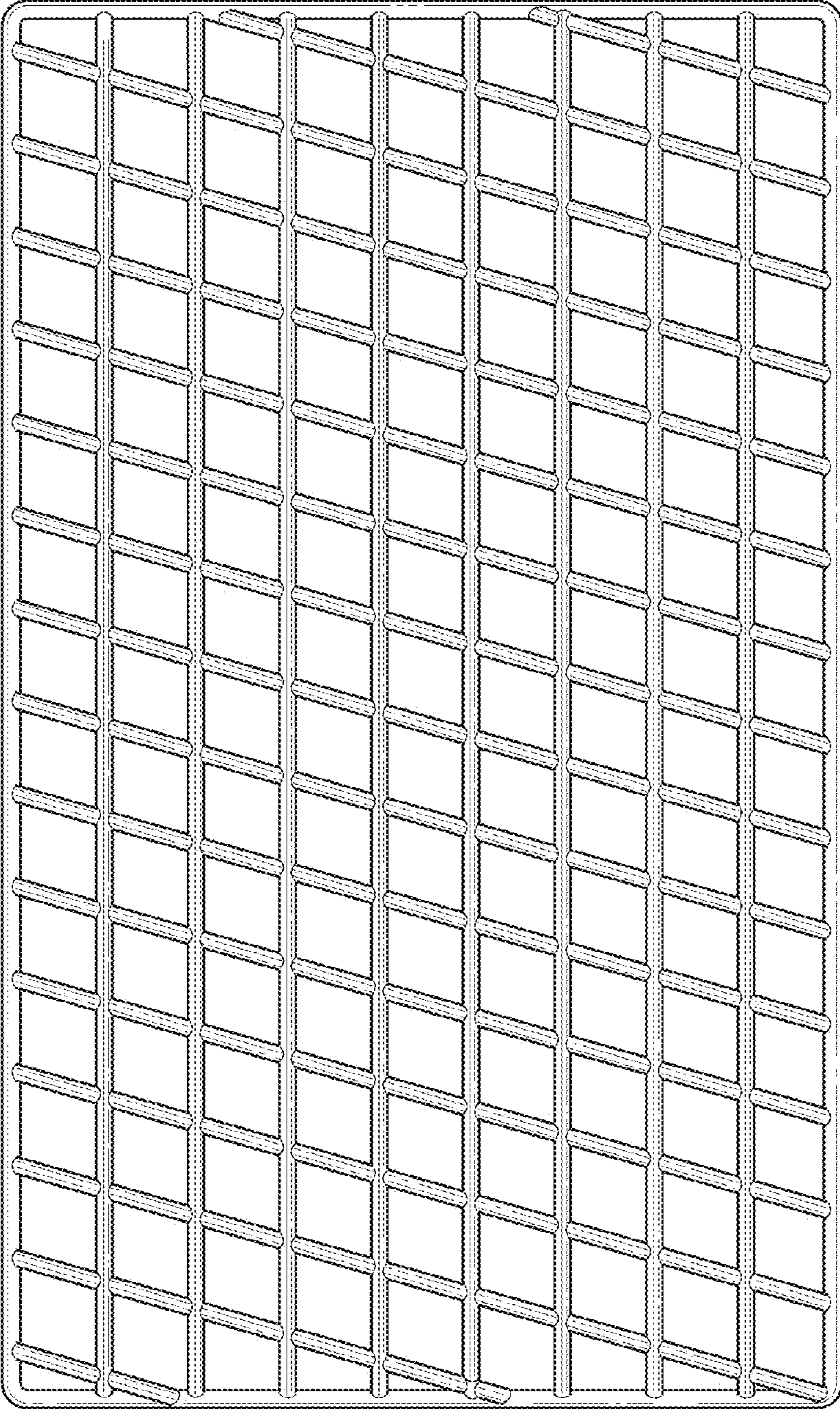


FIG. 4



FIG. 5



FIG. 6

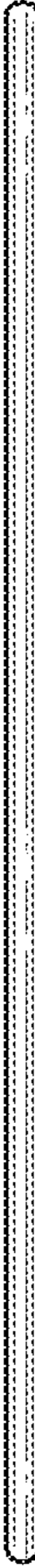


FIG. 7

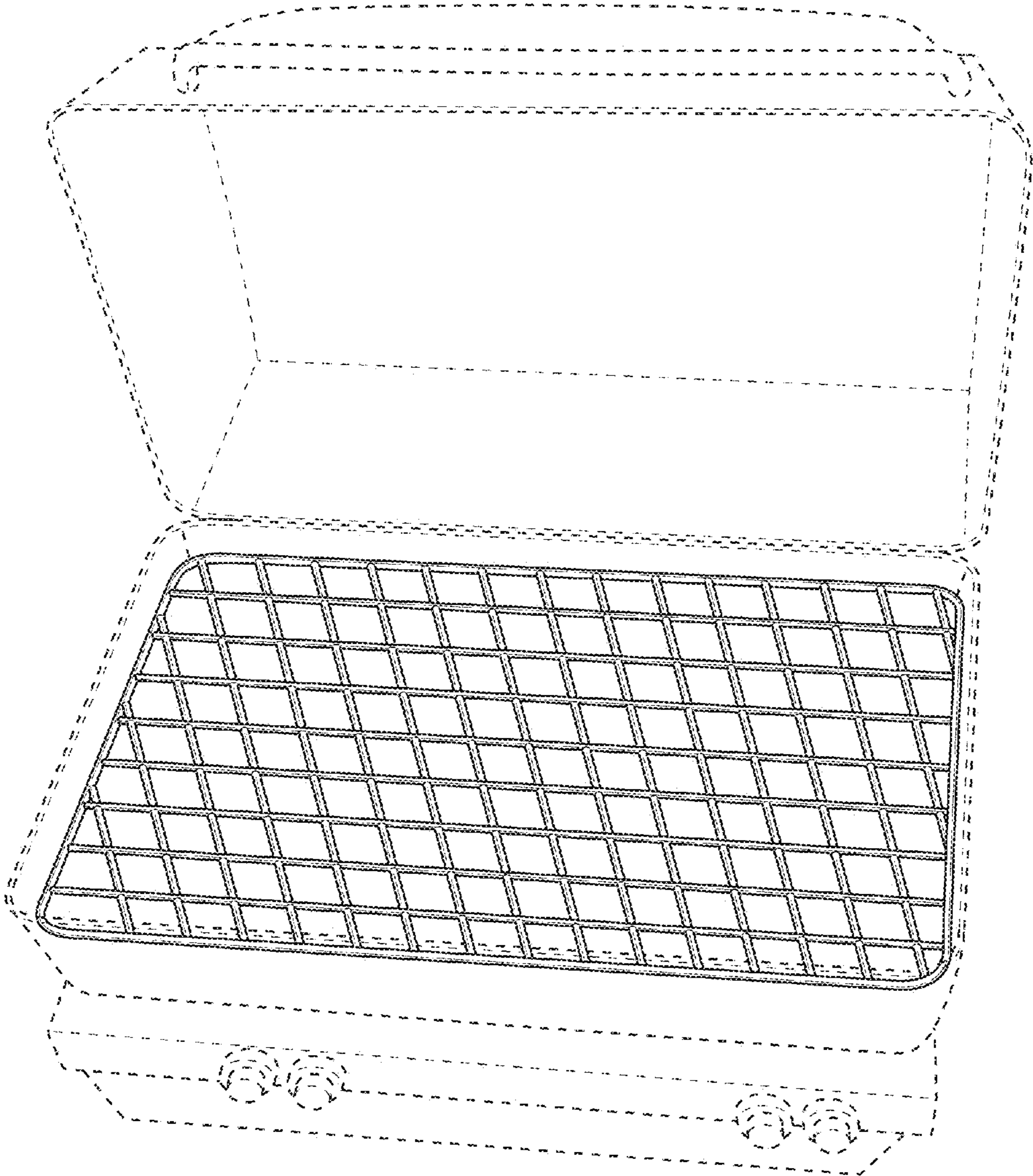


FIG. 8