



US00D749904S

(12) **United States Design Patent**
Campbell

(10) **Patent No.:** **US D749,904 S**

(45) **Date of Patent:** **** Feb. 23, 2016**

(54) **INTEGRATED GRATE AND CIRCULAR
PIZZA OVEN BURNER**

(71) Applicant: **United States Stove Company**, South
Pittsburg, TN (US)

(72) Inventor: **Bruce Campbell**, East Ridge, TN (US)

(73) Assignee: **United States Stove Company**, South
Pittsburg, TN (US)

(**) Term: **14 Years**

(21) Appl. No.: **29/483,731**

(22) Filed: **Mar. 2, 2014**

(51) **LOC (10) Cl.** **07-02**

(52) **U.S. Cl.**
USPC **D7/407**

(58) **Field of Classification Search**
USPC D7/368, 388, 391, 407, 677; 219/678,
219/756-758; 126/19 M, 275 E; D24/232
CPC F24C 3/12; F24C 3/124; F24C 15/36
See application file for complete search history.

(56) **References Cited**

U.S. PATENT DOCUMENTS

4,905,945	A *	3/1990	Peterson	B65F 1/141 220/603
D318,428	S *	7/1991	Kowk	D9/455
D395,195	S *	6/1998	Heiberg	D7/387
D455,617	S *	4/2002	Craig	D7/368
D559,993	S *	1/2008	Nagakubo	D24/232
D559,994	S *	1/2008	Nagakubo	D24/232
D612,564	S *	3/2010	Comley	D34/35
D667,561	S *	9/2012	Bedingham	D24/216

D727,090	S *	4/2015	St. Jacques	D7/387
D729,567	S *	5/2015	Haas	D7/368
2009/0035423	A1 *	2/2009	Rettey	A21D 6/001 426/113
2011/0095032	A1 *	4/2011	Evans	A47G 19/065 220/574

* cited by examiner

Primary Examiner — Zenia Bennett

(74) *Attorney, Agent, or Firm* — Mark A. Pitchford; Waller
Lansden Dortch & Davis

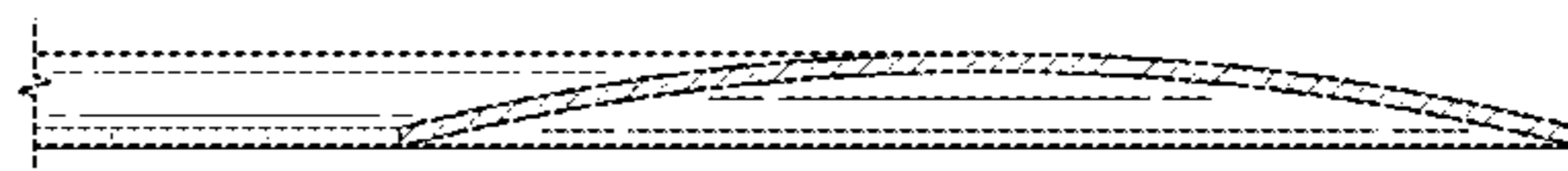
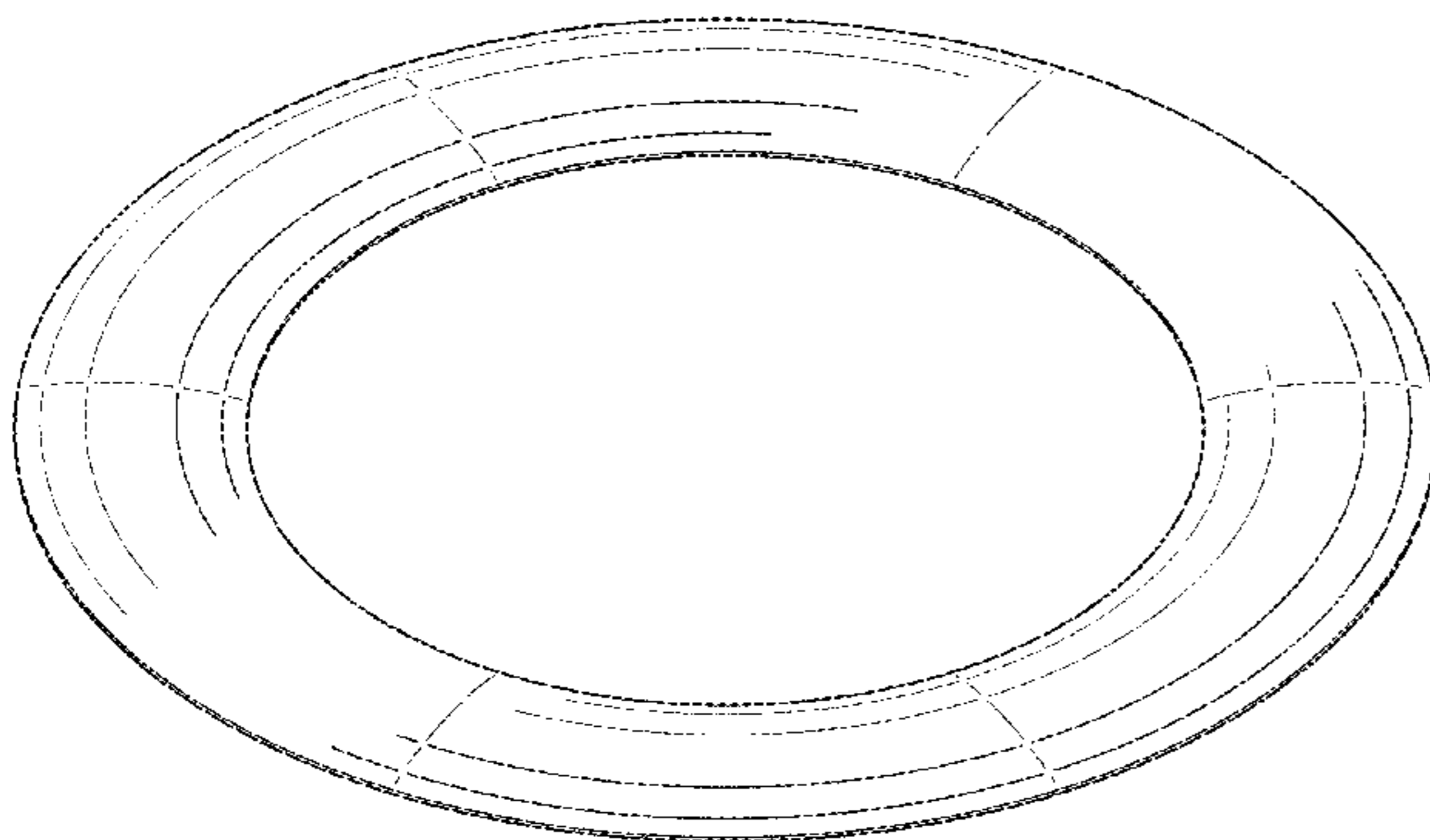
(57) **CLAIM**

What is claimed is the ornamental design for an integrated
grate and circular pizza oven burner, as shown and described.

DESCRIPTION

FIG. 1 is an isometric view of a integrated grate and circular
pizza oven burner showing Applicant's invention.
FIG. 2 is a side view of a integrated grate and circular pizza
oven burner showing Applicant's invention.
FIG. 3 is an overhead view of a integrated grate and circular
pizza oven burner showing Applicant's invention.
FIG. 4 is cross section of a integrated grate and circular pizza
oven burner showing Applicant's invention.
FIG. 5 is an overhead view of a integrated grate and circular
pizza oven burner showing Applicant's invention.
FIG. 6 is an isometric view of an integrated grate and circular
pizza oven burner installed in a pizza oven showing Appli-
cant's invention; and,
FIG. 7 is an isometric view of an integrated grate and circular
pizza oven burner showing Applicant's invention.

1 Claim, 5 Drawing Sheets



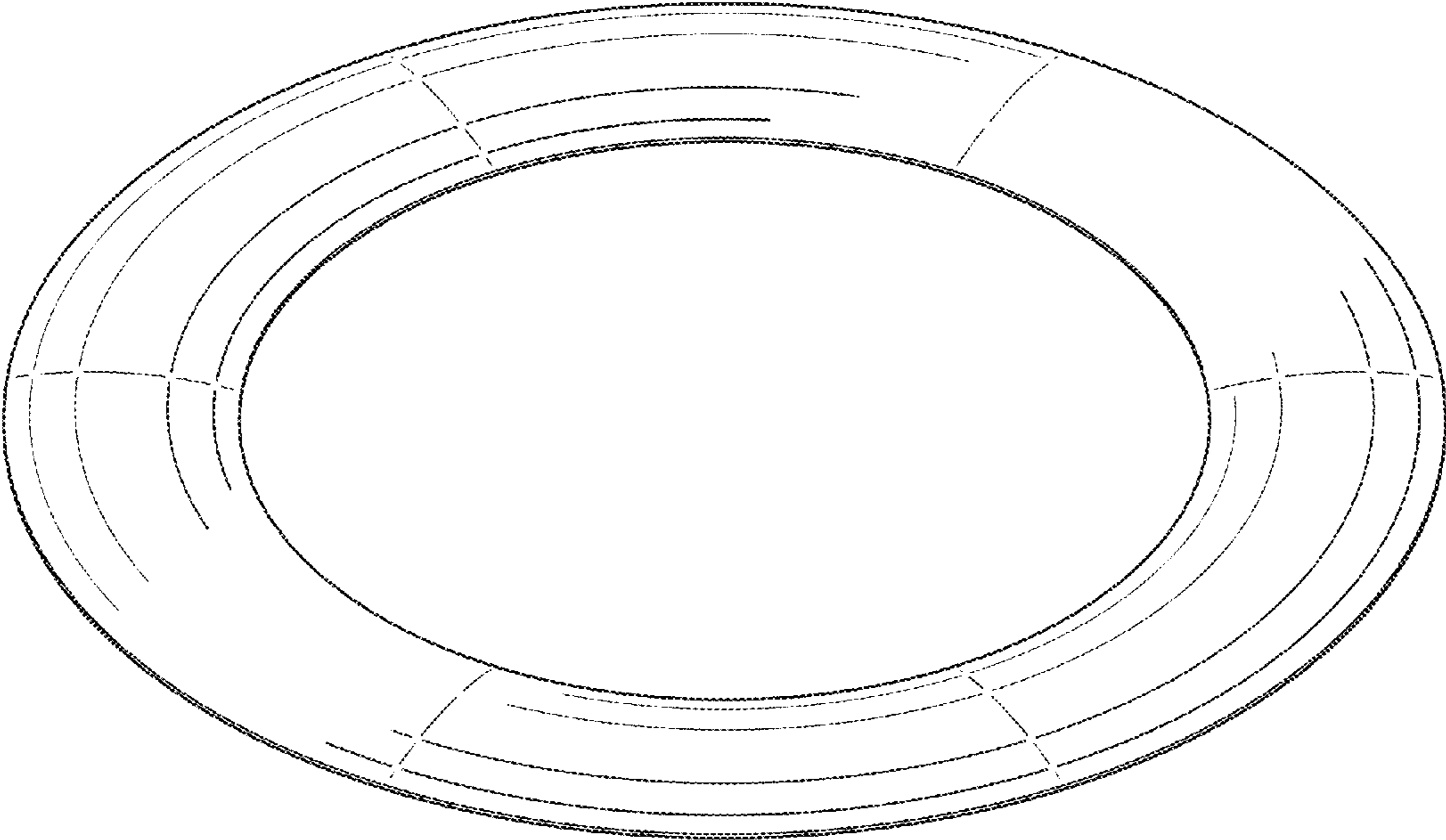


FIG. 1

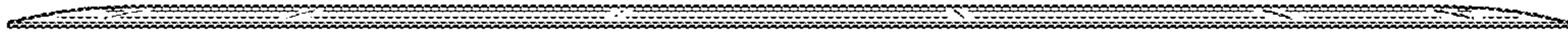


FIG. 2

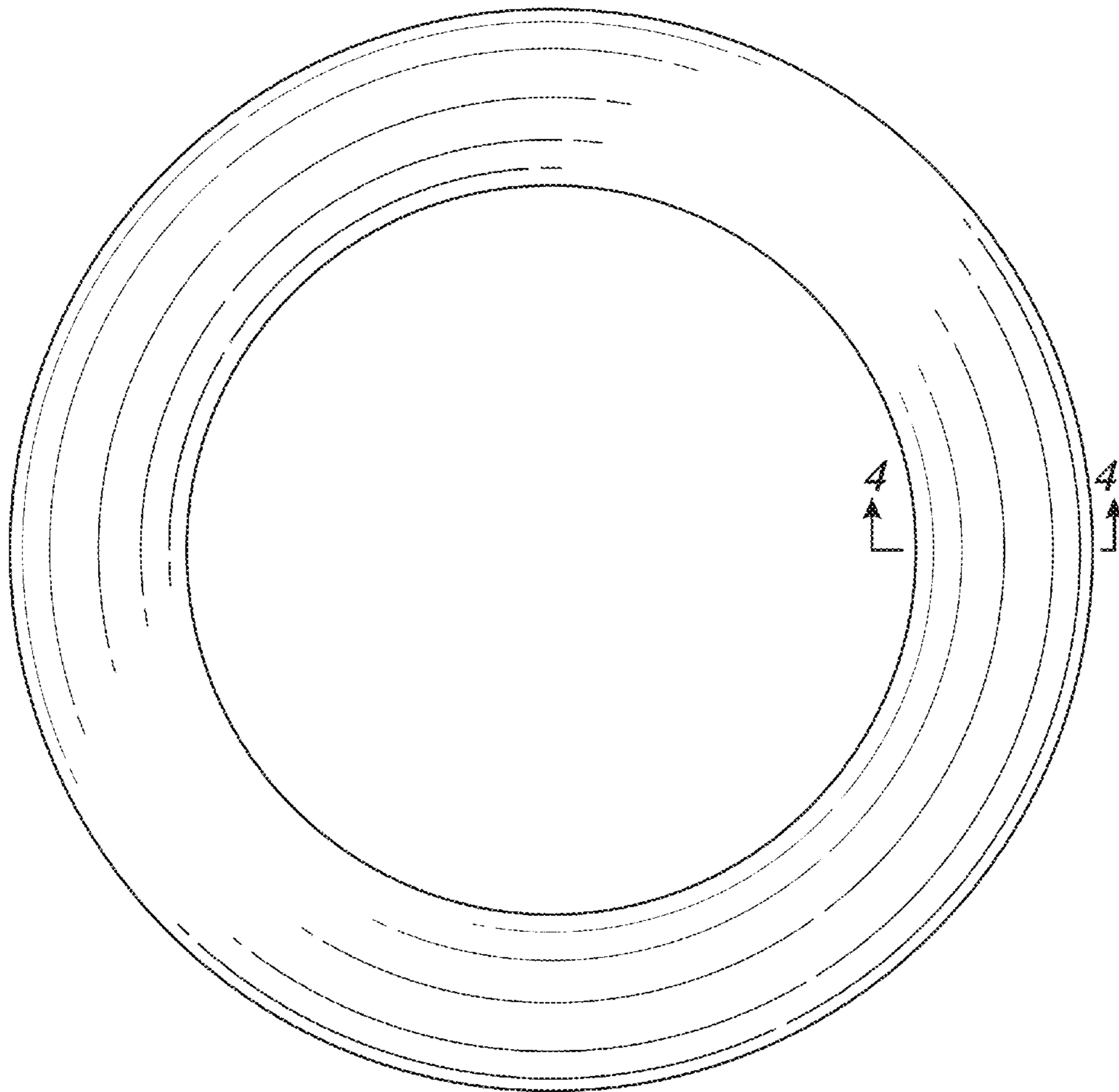


FIG. 3

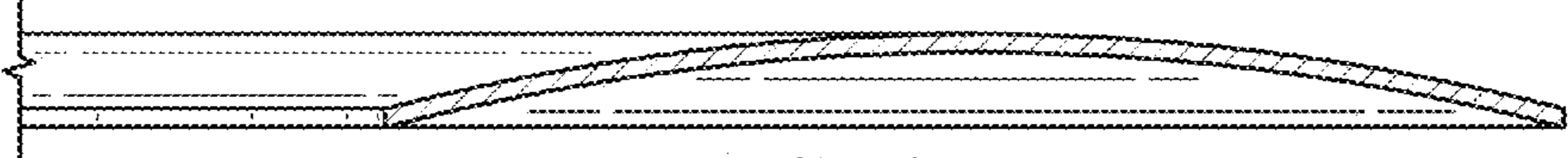


FIG. 4

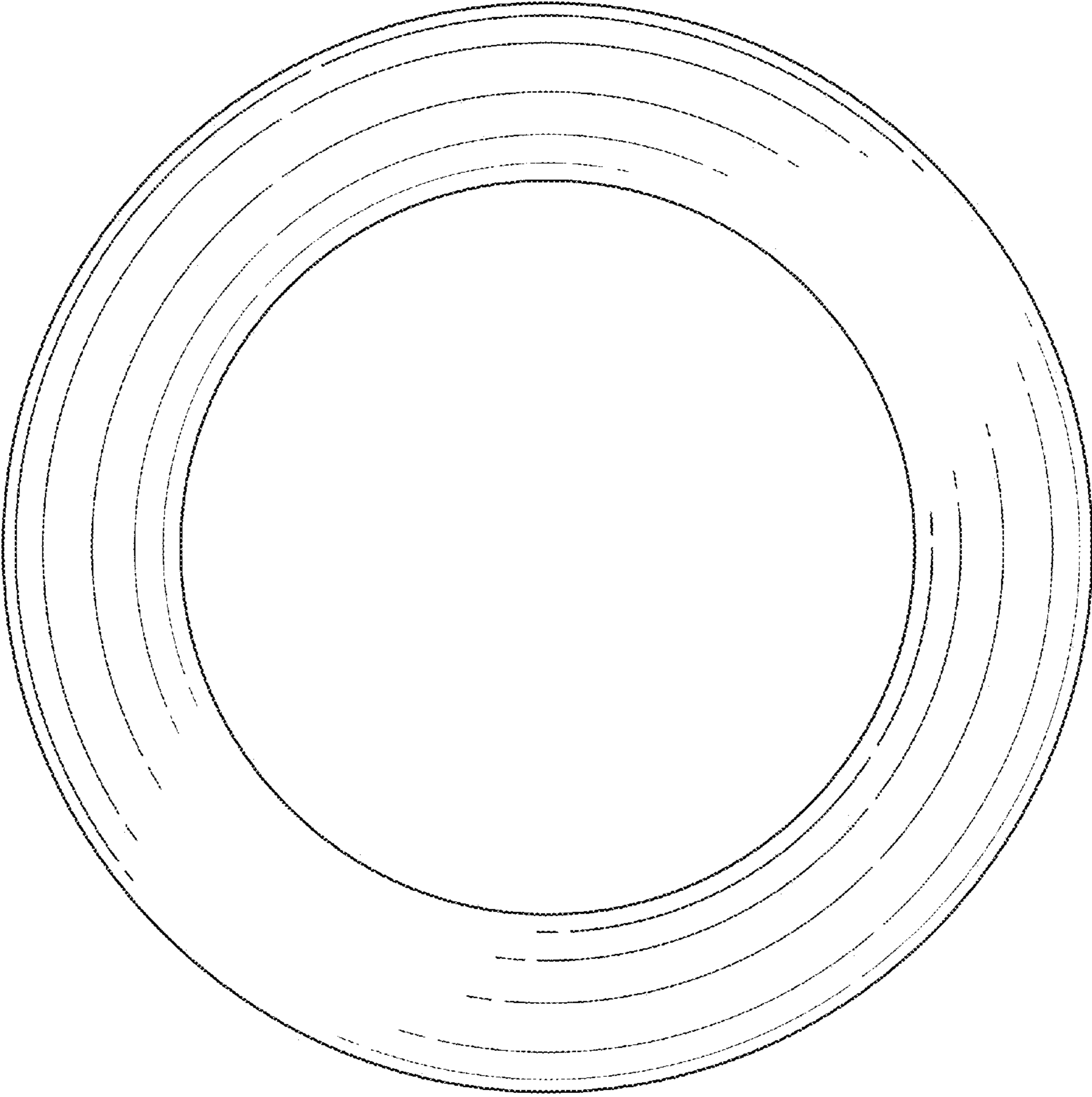


FIG. 5

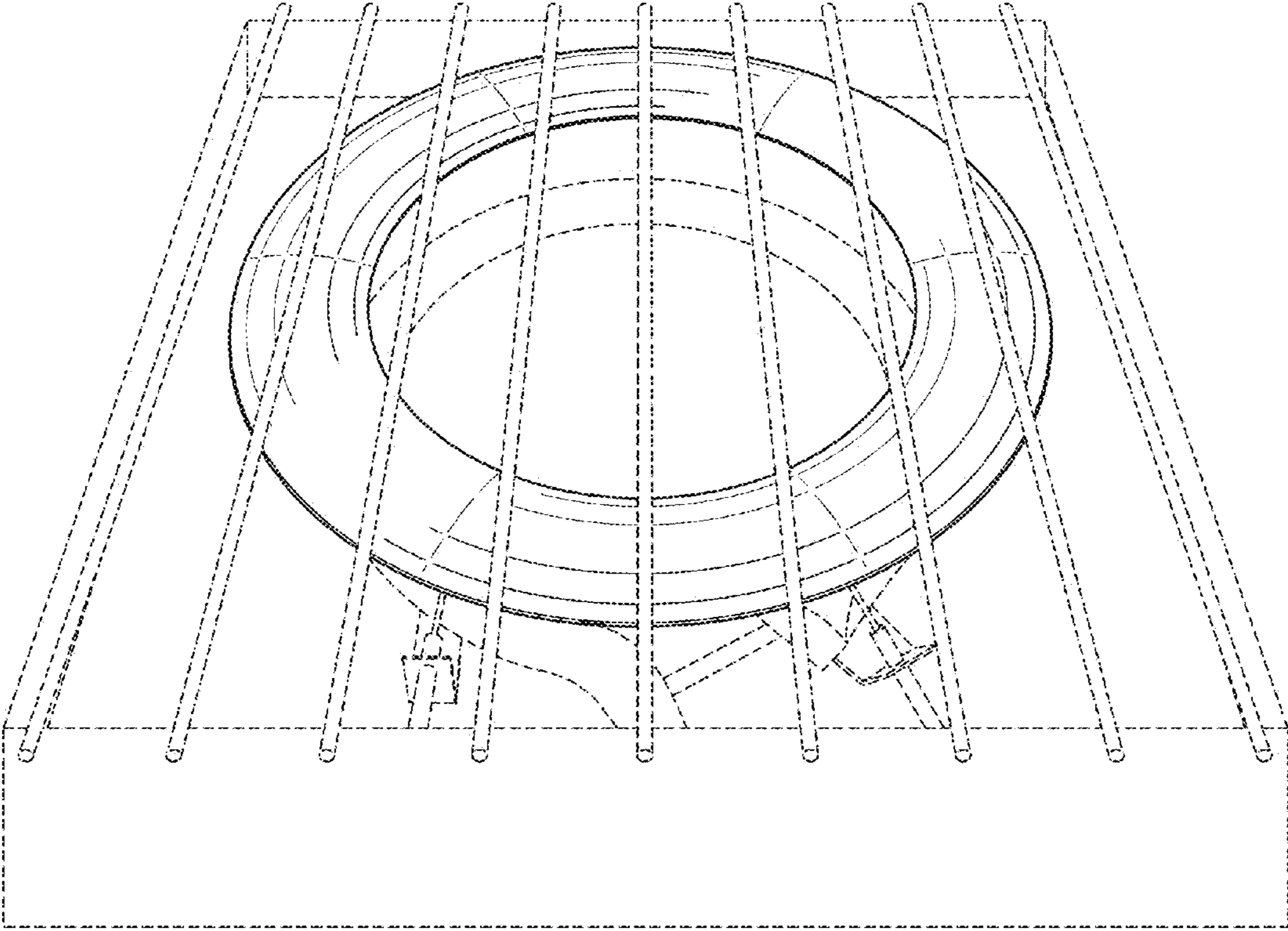


FIG. 6

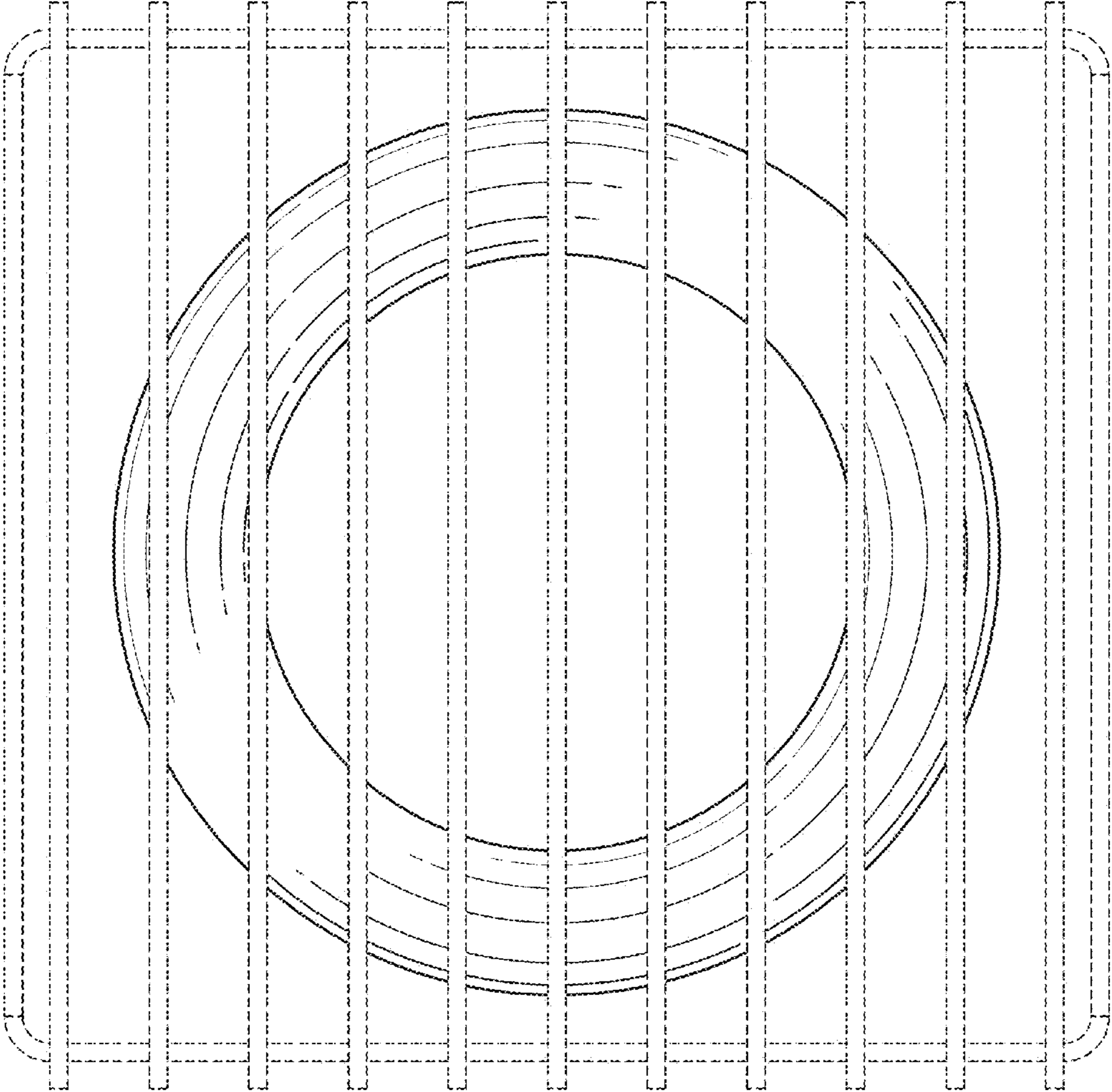


FIG. 7