



US00D749897S

(12) **United States Design Patent**
Zicafoose et al.

(10) **Patent No.:** **US D749,897 S**

(45) **Date of Patent:** **** Feb. 23, 2016**

- (54) **DETACHABLE BABY BOTTLE PACIFIER**
- (71) Applicants: **Dustyn Zicafoose**, Sebring, FL (US);
Edward Little, Sebring, FL (US)
- (72) Inventors: **Dustyn Zicafoose**, Sebring, FL (US);
Edward Little, Sebring, FL (US)
- (73) Assignee: **Dustyn Zicafoose**, Sebring, FL (US)
- (**) Term: **14 Years**
- (21) Appl. No.: **29/474,118**
- (22) Filed: **Jun. 5, 2014**
- (51) **LOC (10) Cl.** **07-01**
- (52) **U.S. Cl.**
USPC **D7/392.1**; D24/194
- (58) **Field of Classification Search**
USPC D24/193, 194, 195, 196, 197, 198, 199,
D24/214; D9/614, 615, 620, 625; D30/160;
606/234, 235, 236; D29/113, 118, 123;
D2/614, 622; 215/11.1, 11.4, 11.6;
D1/101, 106, 125, 199; D21/414, 490,
D21/588, 625, 627
CPC A61J 17/008
See application file for complete search history.

- 2004/0210253 A1* 10/2004 Viggiano A61J 9/00
606/236
- 2007/0208379 A1* 9/2007 Kessler A61J 17/00
606/234
- 2011/0046671 A1* 2/2011 Okoturo A61J 17/00
606/236
- 2012/0035655 A1* 2/2012 Trocki A61J 9/00
606/236
- 2012/0053632 A1* 3/2012 Tirosh A61J 17/00
606/236
- 2012/0265244 A1* 10/2012 Valderrama A61L 2/07
606/234
- 2012/0305514 A1* 12/2012 Harris A61J 9/00
215/11.1
- 2015/0133817 A1* 5/2015 Slowey A61B 10/0051
600/582
- 2015/0217900 A1* 8/2015 Poulin A61J 9/005
215/11.1

* cited by examiner

Primary Examiner — Robert M Spear
Assistant Examiner — Kendra L Hamilton

(57) **CLAIM**
The ornamental design for a detachable baby bottle pacifier,
as shown and described.

DESCRIPTION

FIG. 1 is a top front perspective view of a detachable baby bottle pacifier, showing our new design; FIG. 2 is a bottom rear perspective view thereof; and, FIG. 3 is an exploded front perspective view thereof, for clarity of disclosure. The detachable baby bottle pacifier is designed to allow a baby to have the bottle and then the pacifier without waking the baby up.

1 Claim, 3 Drawing Sheets

- (56) **References Cited**
U.S. PATENT DOCUMENTS
D335,187 S * 4/1993 Stege D24/194
5,728,137 A * 3/1998 Anderson-Fignon . A61J 7/0053
604/77
D630,334 S * 1/2011 Paige D24/194
D725,787 S * 3/2015 Brown D24/194

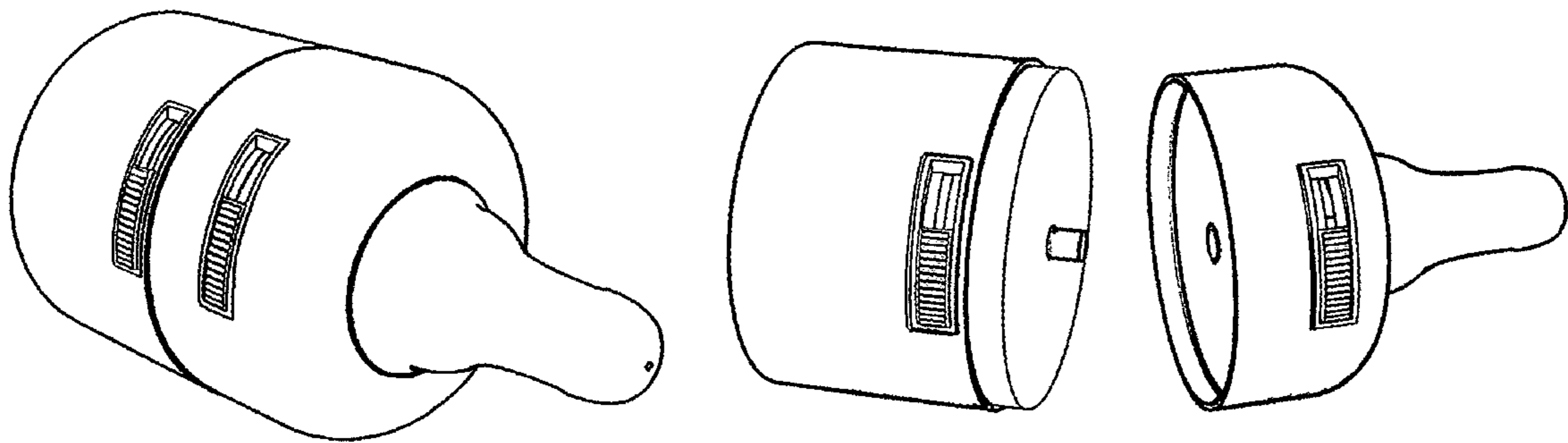


Fig. 1

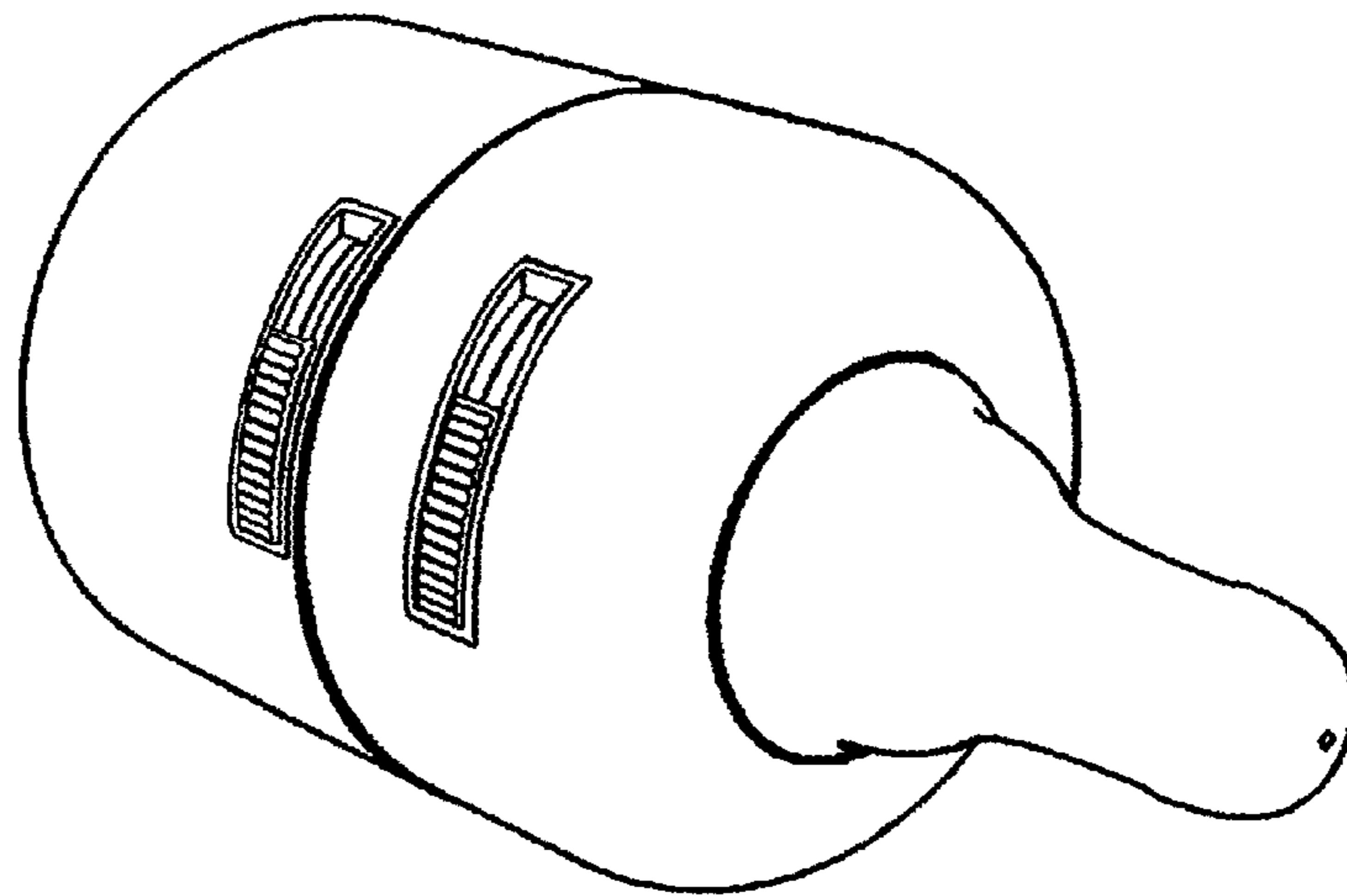


Fig. 2

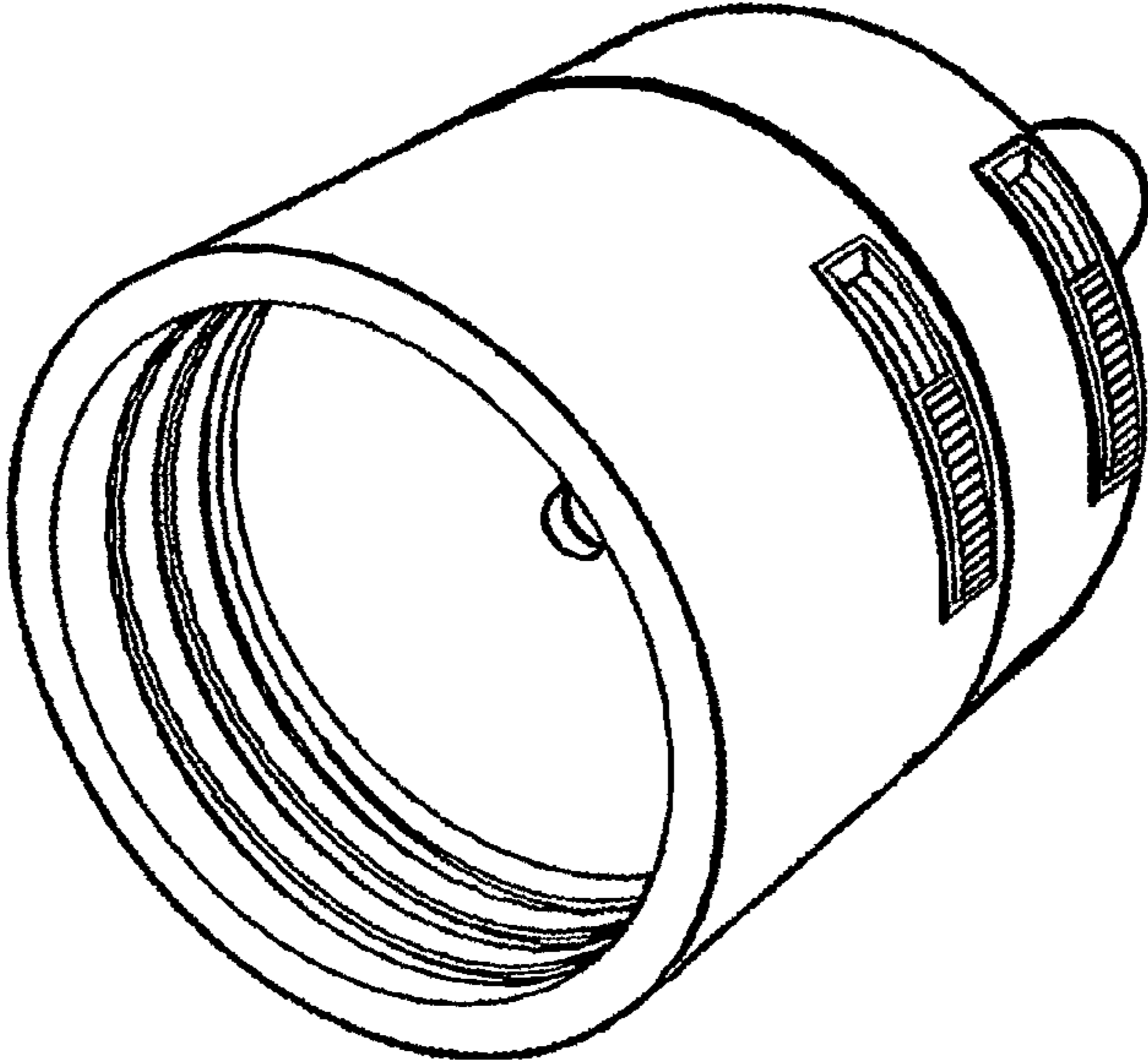


Fig. 3

