



US00D749893S

(12) **United States Design Patent**
Bazzicalupo et al.

(10) **Patent No.:** **US D749,893 S**
(45) **Date of Patent:** **** Feb. 23, 2016**

(54) **BLENDER**

(56)

References Cited

(71) Applicant: **SMEG S.p.A.**, Guastalla (IT)

U.S. PATENT DOCUMENTS

(72) Inventors: **Leopoldo Bazzicalupo**, Iseo (IT);
Raffaella Mangiarotti, Milan (IT)

D176,257 S *	12/1955	Hill et al.	D7/378
D181,541 S *	11/1957	Madl	D7/378
D394,986 S *	6/1998	Lallemand	D7/378
D448,967 S *	10/2001	Planca	D7/378
D502,358 S *	3/2005	Weaden	D7/378
D533,020 S *	12/2006	Kassenaar	D7/378
D543,072 S *	5/2007	Ting	D7/378
D553,425 S *	10/2007	Steiner	D7/378
D578,340 S *	10/2008	Picozza	D7/378
D597,372 S *	8/2009	Nordwall	D7/378
D616,244 S *	5/2010	Thai	D7/378
D642,858 S *	8/2011	Lazzer	D7/376
D728,303 S *	5/2015	Vu	D7/376

(73) Assignee: **SMEG S.p.A.** (IT)

(**) Term: **14 Years**

(21) Appl. No.: **29/504,082**

(22) Filed: **Oct. 1, 2014**

(30) **Foreign Application Priority Data**

* cited by examiner

Apr. 2, 2014 (EM) 002438473

Primary Examiner — Ricky Pham

(51) **LOC (10) Cl.** **31-00**

(74) *Attorney, Agent, or Firm* — The Belles Group, P.C.

(52) **U.S. Cl.**

USPC **D7/378**; D7/376; D7/384

(57) **CLAIM**

We claim the ornamental design for a blender, as shown and described.

(58) **Field of Classification Search**

USPC D7/372, 376–386, 412–413, 602, 629,
D7/665–666, 669, 679, 693–694

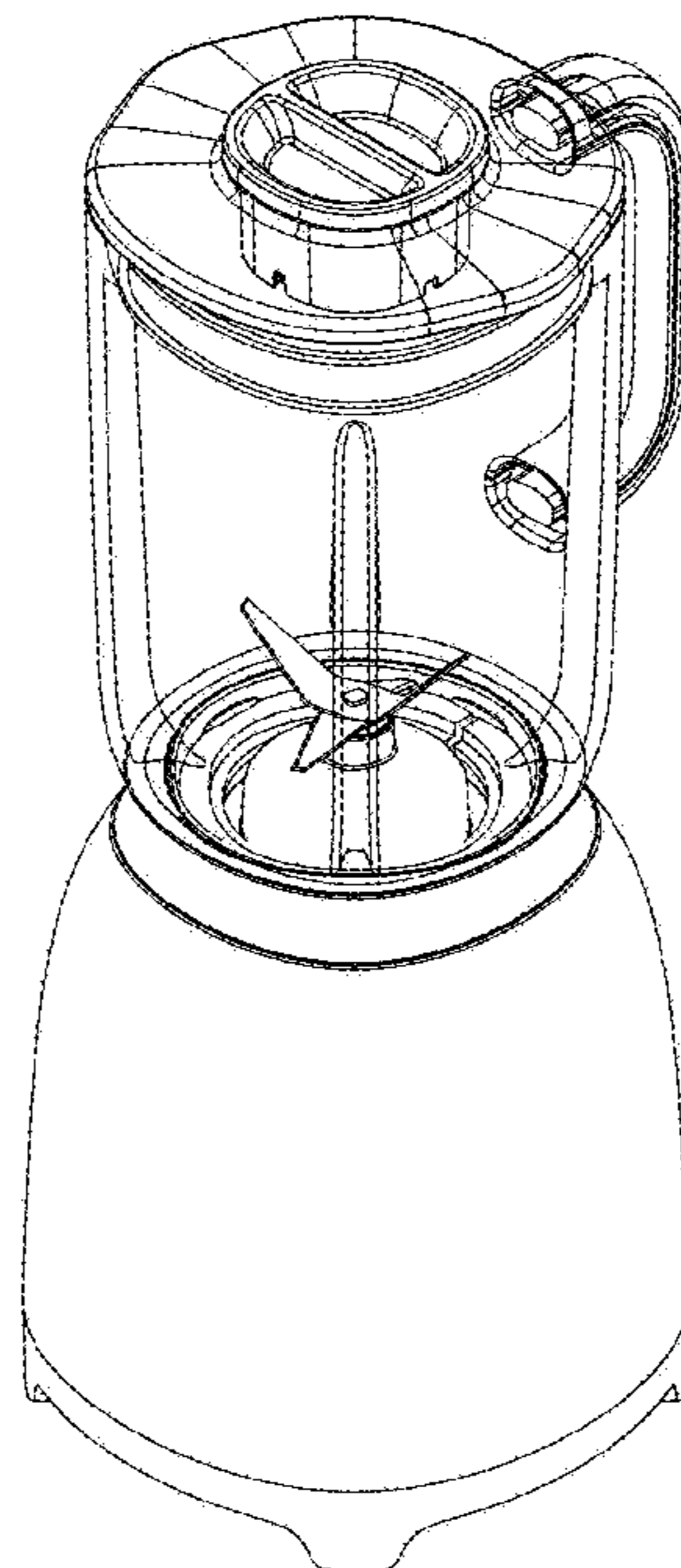
DESCRIPTION

CPC A21C 1/02; A21C 1/04; A23N 1/00;
A23N 1/02; A47J 43/04; A47J 43/25; A47J
43/27; A47J 43/042; A47J 43/044; A47J
43/046; A47J 43/075; A47J 43/0722; A47J
43/0727; B01F 3/00; B01F 3/0807; B01F
3/0853; B01F 13/0059; B01F 13/0064;
B02C 1/08; B02C 2/04; B02C 4/42; B02C
4/142; B02C 4/143; B02C 4/423; B02C
13/1835; B28C 5/10; B28C 5/12; B28C 5/14;
B28C 5/16

FIG. 1 is a perspective view of a blender in accordance with a first embodiment of the present invention;
FIG. 2 is a right-side elevation view of the blender of FIG. 1;
FIG. 3 is a front elevation view of the blender of FIG. 1;
FIG. 4 is a left-side elevation view of the blender of FIG. 1;
FIG. 5 is a rear elevation view of the blender of FIG. 1;
FIG. 6 is a top plan view of the blender of FIG. 1; and,
FIG. 7 is a bottom plan view of the blender of FIG. 1.

See application file for complete search history.

1 Claim, 7 Drawing Sheets



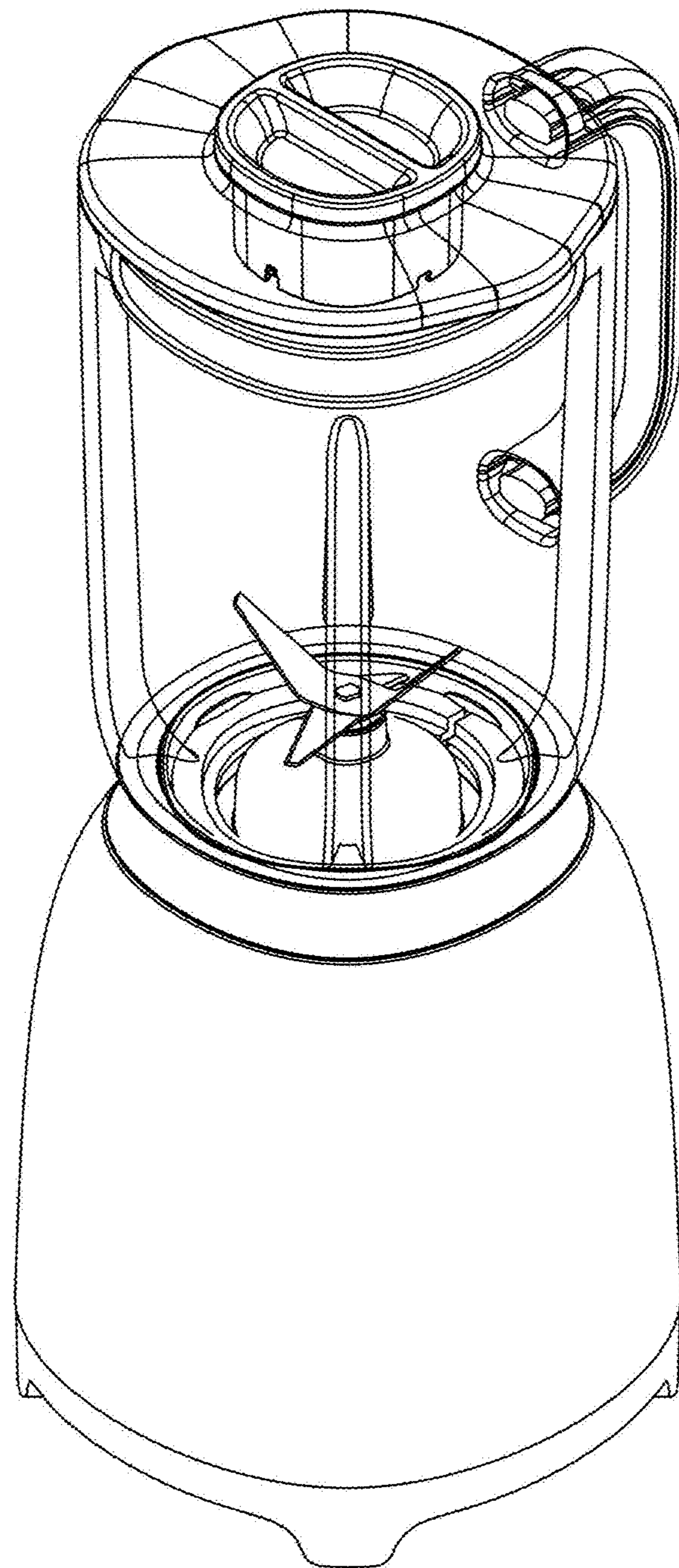


FIG. 1

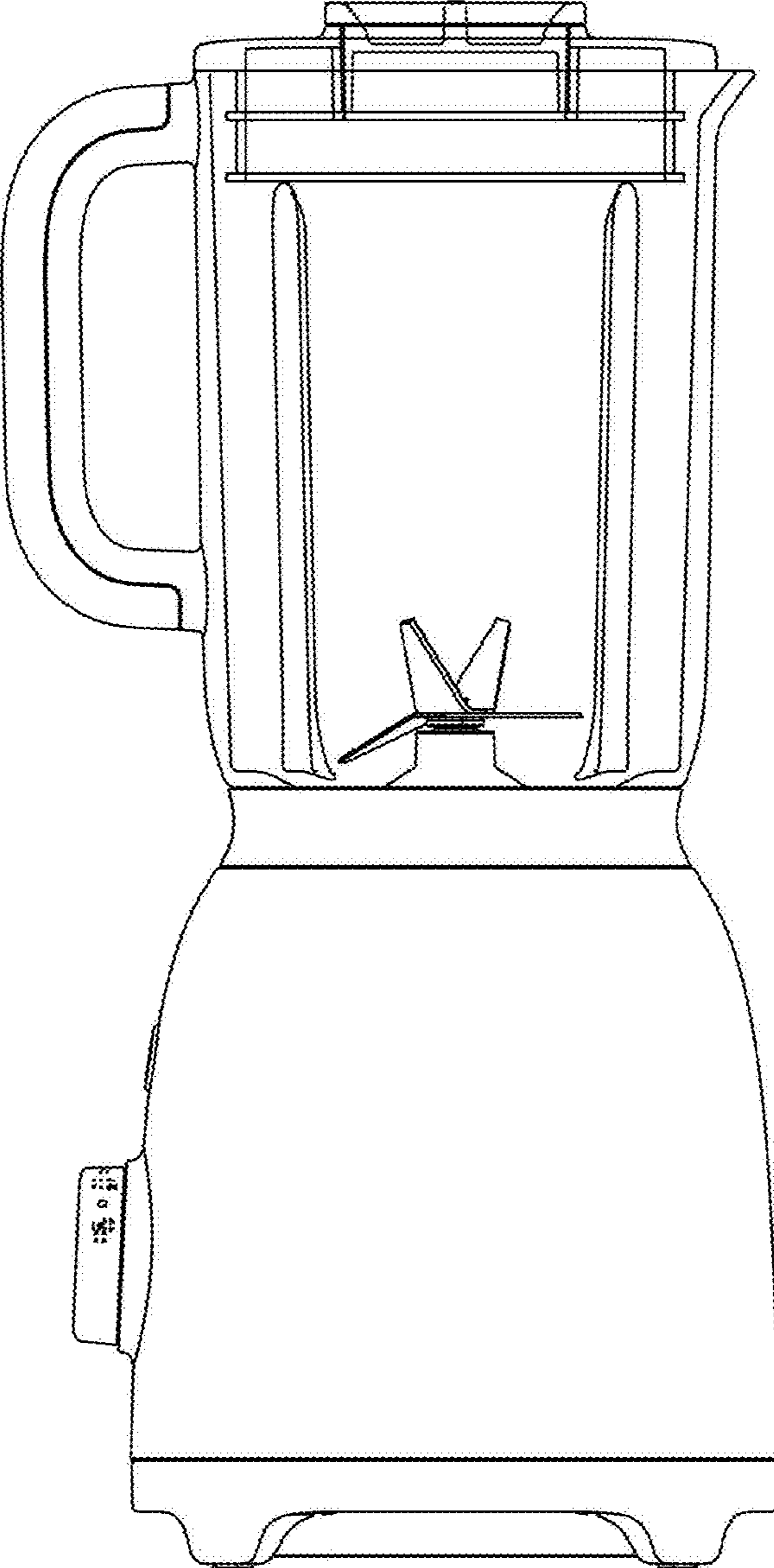


FIG. 2

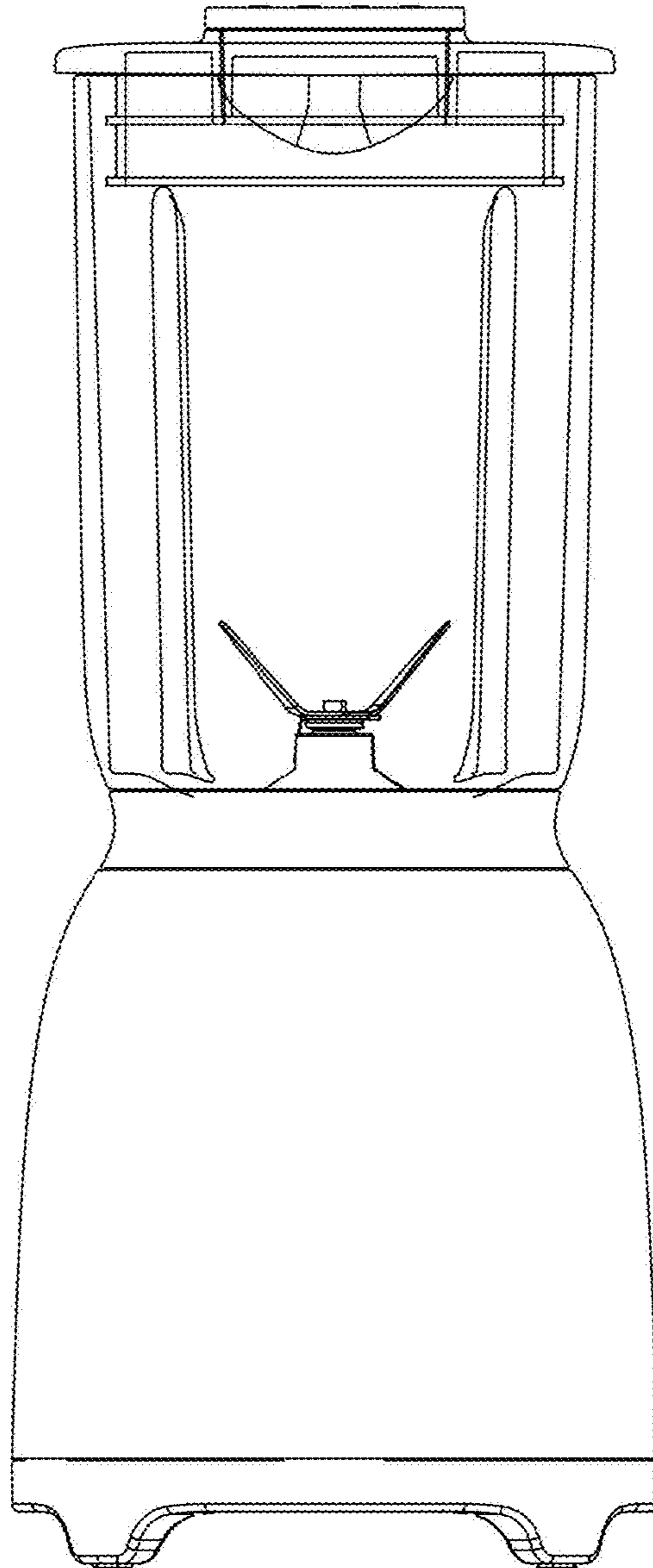


FIG. 3

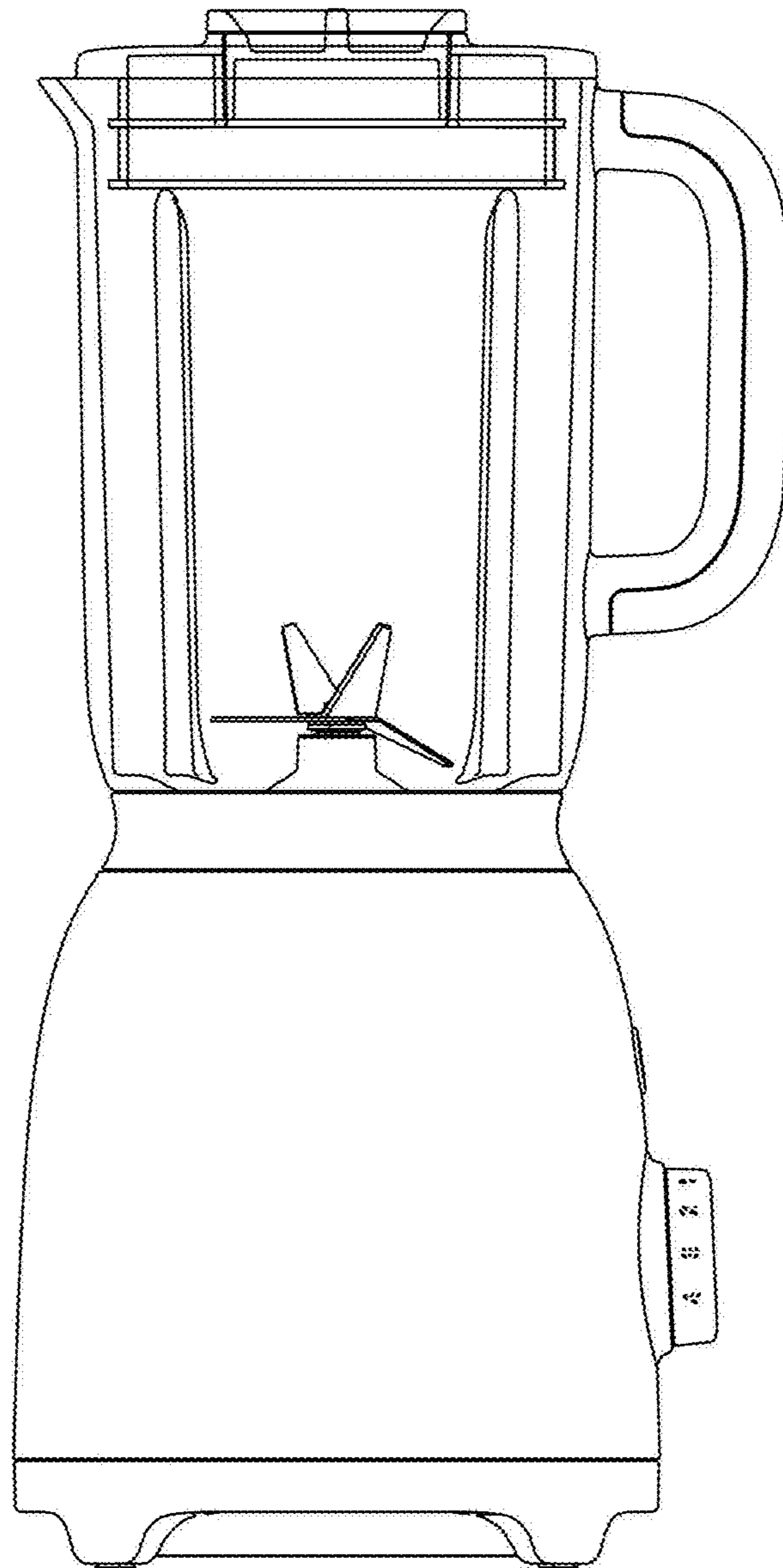


FIG. 4

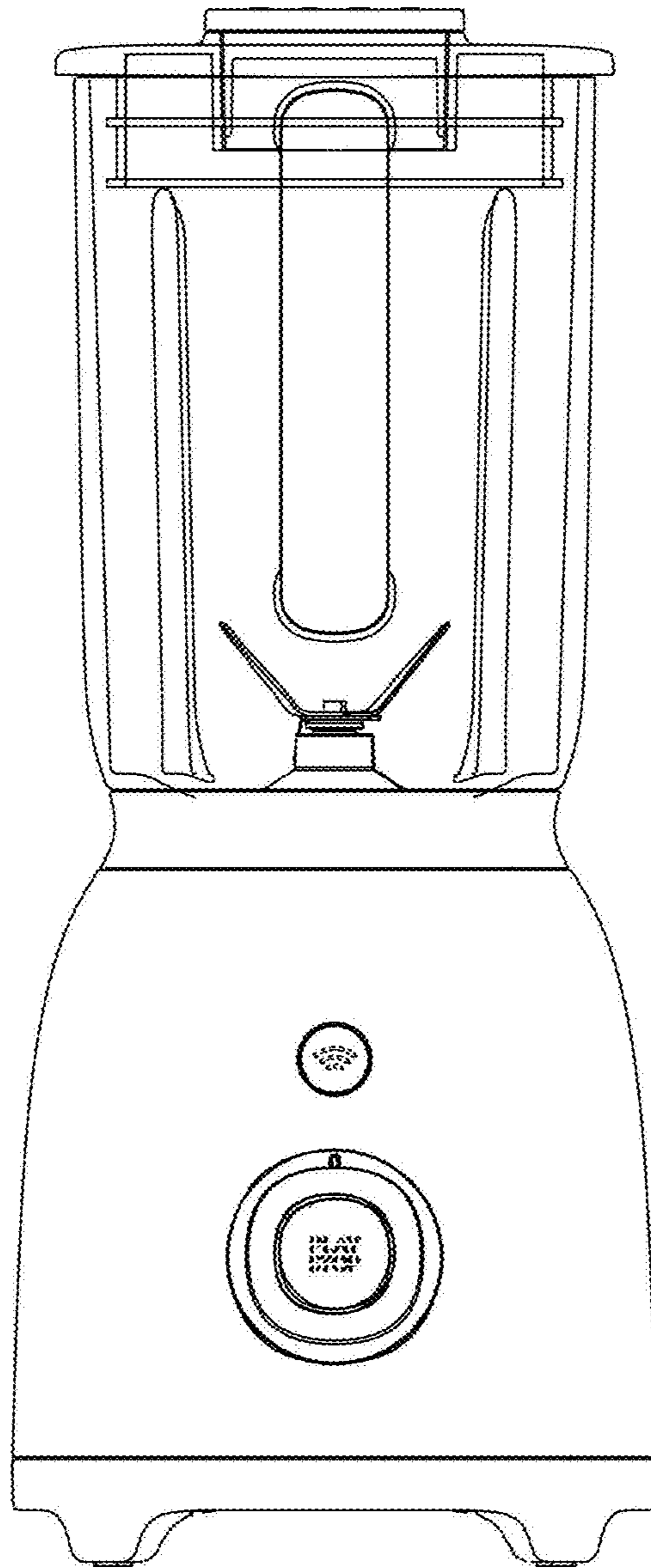


FIG. 5

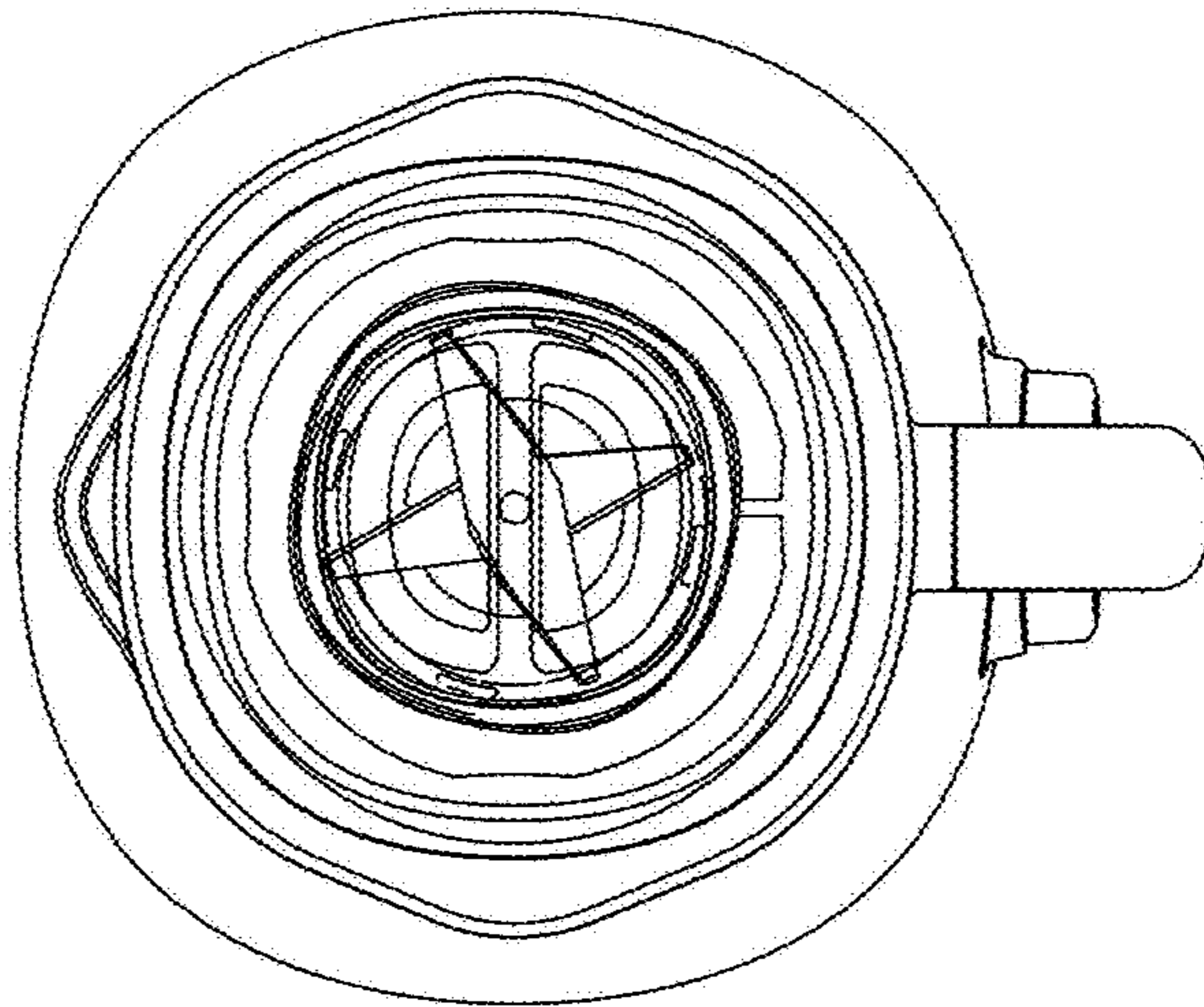


FIG. 6

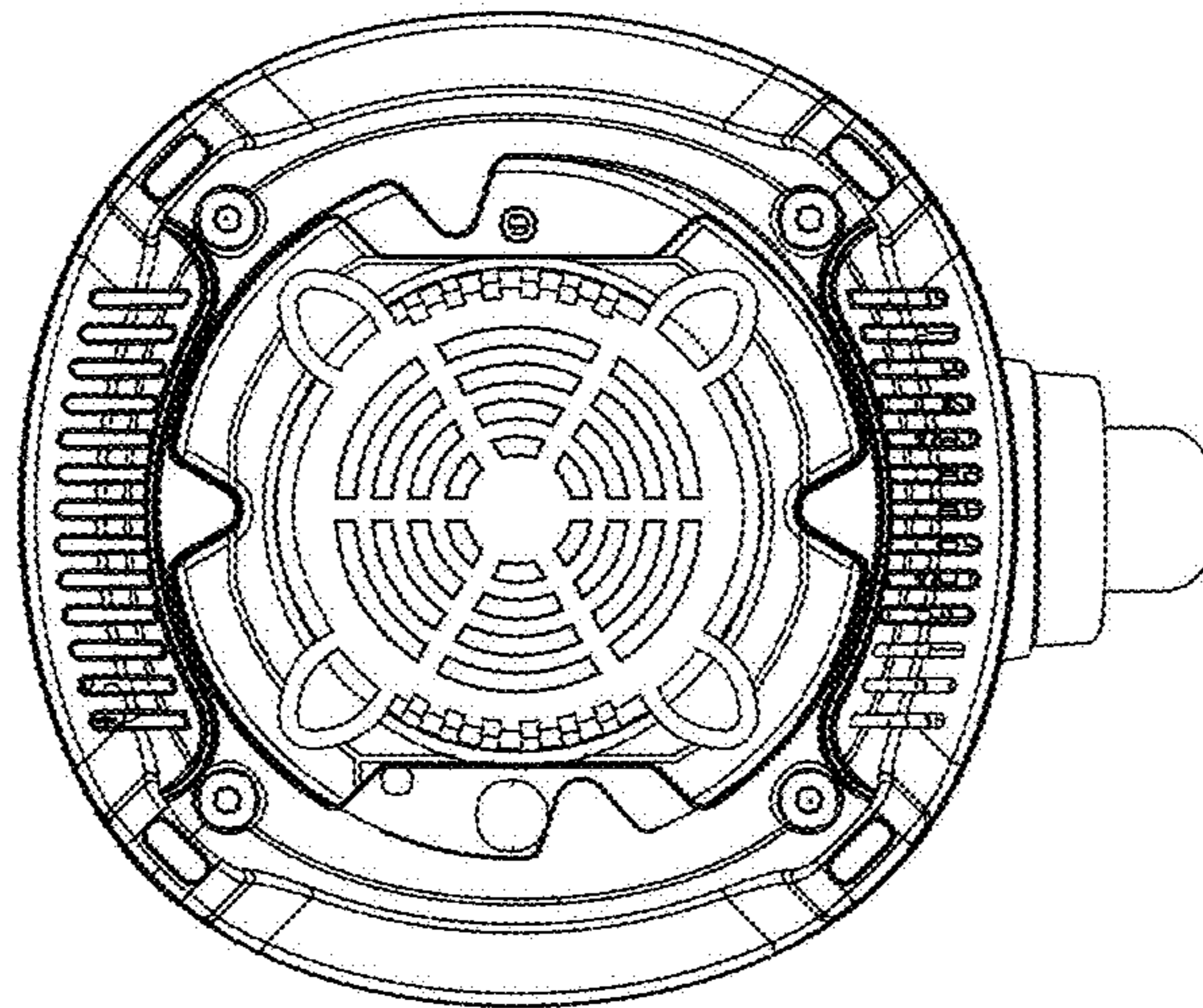


FIG. 7