



US00D749892S

(12) **United States Design Patent**  
**Zanetti**

(10) **Patent No.:** **US D749,892 S**

(45) **Date of Patent:** **\*\* Feb. 23, 2016**

(54) **COFFEE GRINDER AND MEASURER**

(56) **References Cited**

(71) Applicant: **Hausbrandt Trieste 1892 S.p.A.**,  
Nervesa della Battaglia (Treviso) (IT)

(72) Inventor: **Fabrizio Zanetti**, Villorba (IT)

(73) Assignee: **HAUSBRANDT TRIESTE 1892**  
**S.P.A.**, Nervesa Della Battaglia (Treviso)  
(IT)

U.S. PATENT DOCUMENTS

D290,332 S *	6/1987	Foley	.....	D7/373
4,893,758 A *	1/1990	Foley	.....	A47J 42/40 241/100
D309,843 S *	8/1990	Reichmann	.....	D7/309
D316,795 S *	5/1991	Brewer	.....	D7/308
5,542,342 A *	8/1996	McNeill	.....	A47J 42/40 99/280
D454,023 S *	3/2002	Wang	.....	D7/309
D553,416 S *	10/2007	Lin	.....	D7/306
D575,571 S *	8/2008	Hammad	.....	D7/300
D600,492 S *	9/2009	Hammad	.....	D7/306
D694,059 S *	11/2013	De Pra	.....	D7/372
D724,883 S *	3/2015	Lamb	.....	D7/306
D726,483 S *	4/2015	Lin	.....	D7/309
D727,083 S *	4/2015	Dorr	.....	D7/306

(\*\*) Term: **14 Years**

(21) Appl. No.: **29/501,275**

(22) Filed: **Sep. 3, 2014**

(30) **Foreign Application Priority Data**

Mar. 4, 2014 (EM) ..... 002417477

(51) **LOC (10) Cl.** ..... **31-00**

(52) **U.S. Cl.**  
USPC ..... **D7/373; D7/372**

(58) **Field of Classification Search**  
USPC ..... D7/306-310, 372-373, 376-386,  
D7/412-413, 602, 629, 665-666, 669, 679,  
D7/693-694

CPC ..... A21C 1/02; A21C 1/04; A23N 1/00;  
A23N 1/02; A47J 42/40; A47J 43/04; A47J  
43/25; A47J 43/27; A47J 43/042; A47J  
43/044; A47J 43/046; A47J 43/075; A47J  
43/0722; A47J 43/0727; B01F 3/00; B01F  
3/0807; B01F 3/0853; B01F 13/0059; B01F  
13/0064; B02C 1/08; B02C 2/04; B02C 4/42;  
B02C 4/142; B02C 4/143; B02C 4/423;  
B02C 13/1835; B28C 5/10; B28C 5/12;  
B28C 5/14; B28C 5/16

See application file for complete search history.

\* cited by examiner

*Primary Examiner* — Ricky Pham

(74) *Attorney, Agent, or Firm* — Fredrikson & Byron, P.A.

(57) **CLAIM**

I claim the ornamental design for a coffee grinder and measurer, as shown and described.

**DESCRIPTION**

FIG. 1 is a perspective view of a coffee grinder and measurer showing my new design;

FIG. 2 is a front view thereof;

FIG. 3 is a back view thereof;

FIG. 4 is a right side view thereof;

FIG. 5 is a left side view thereof;

FIG. 6 is a top view thereof; and,

FIG. 7 is a bottom view thereof.

The broken lines form no part of the claimed design.

**1 Claim, 7 Drawing Sheets**

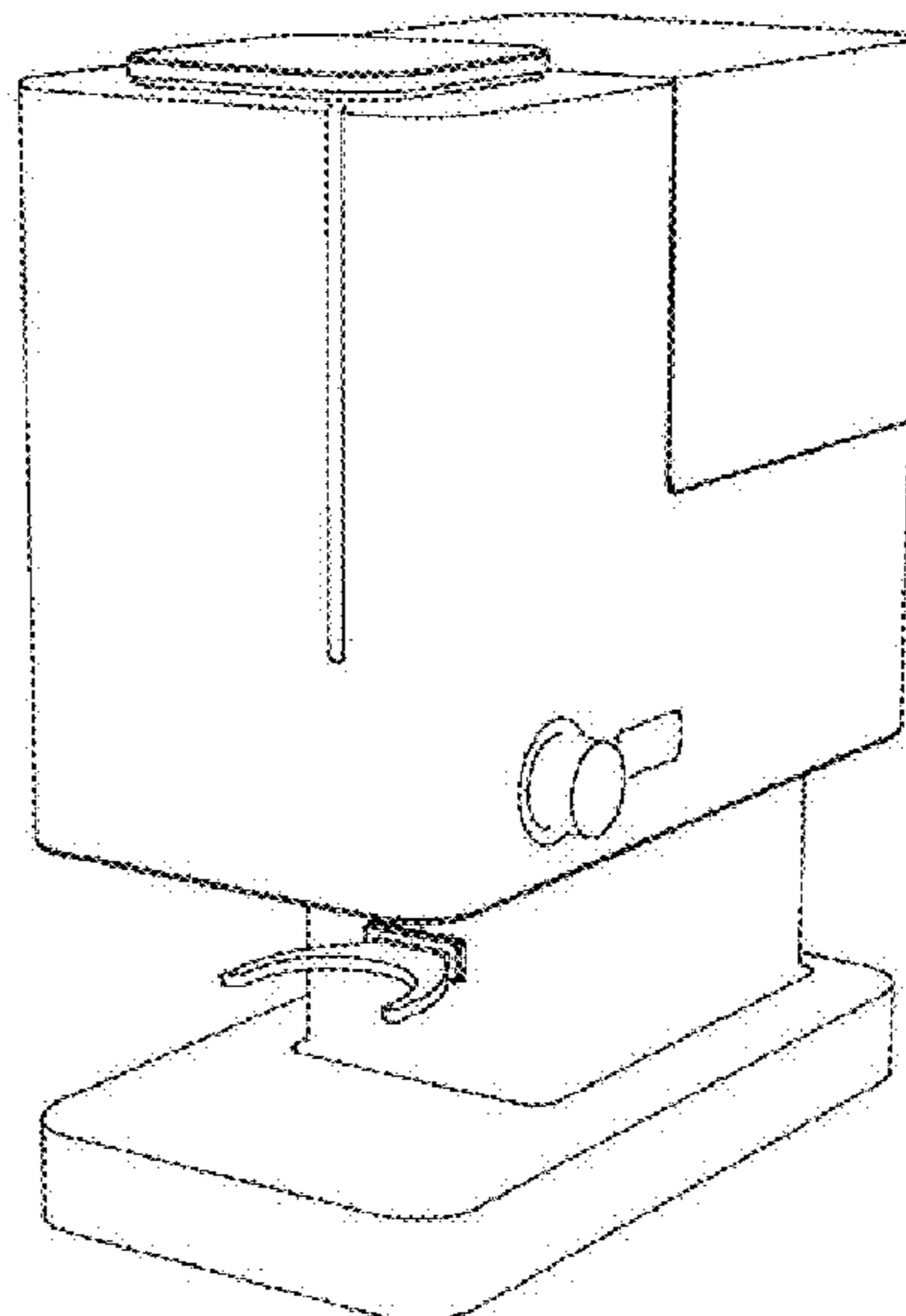


Fig. 1

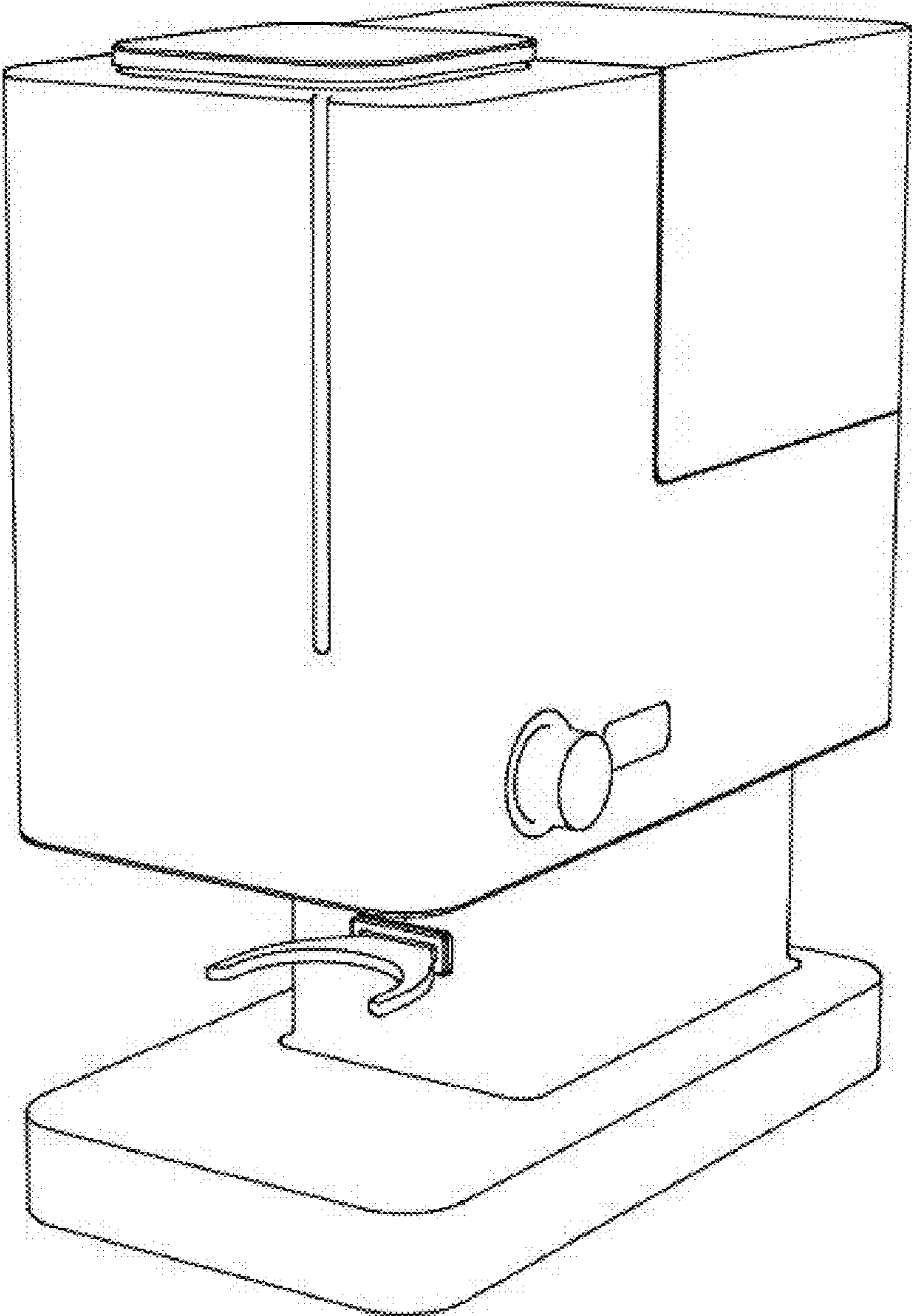


Fig. 2

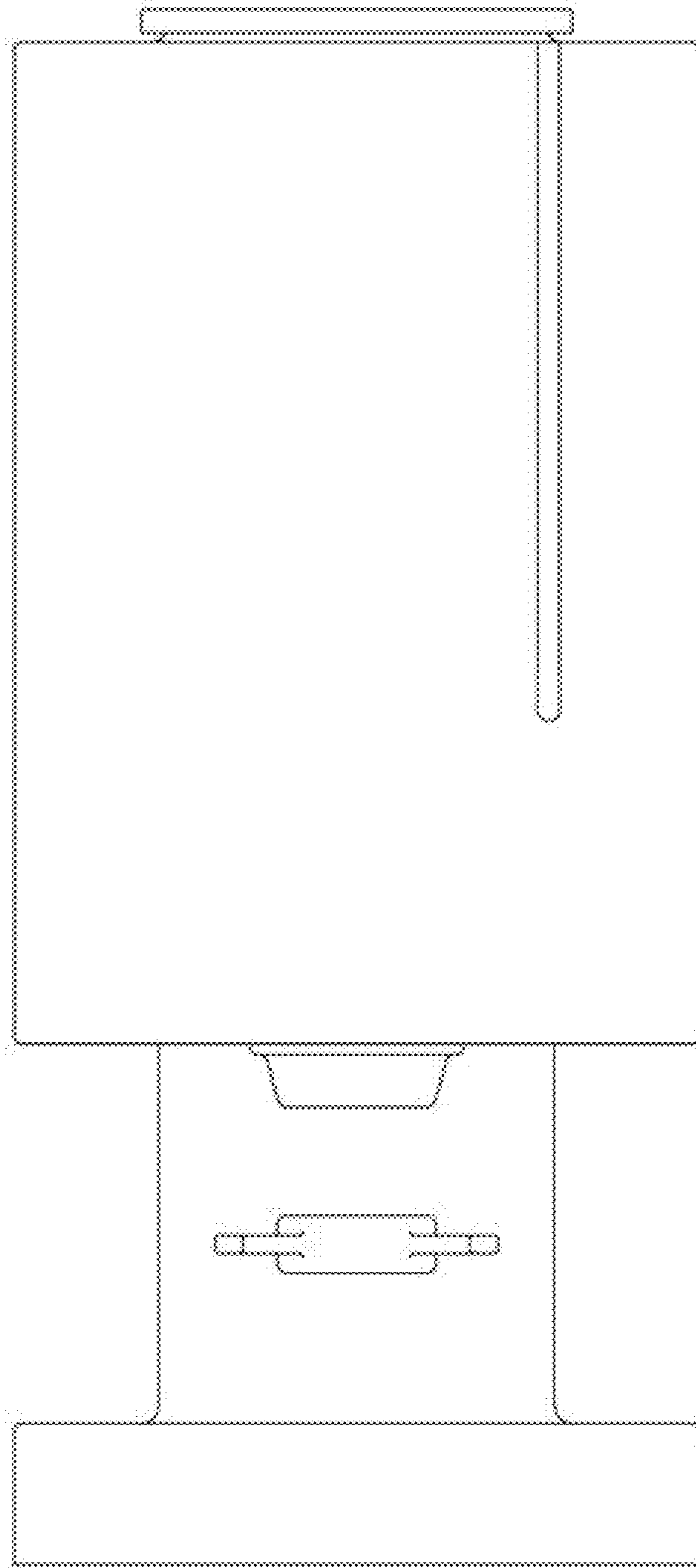


Fig. 3

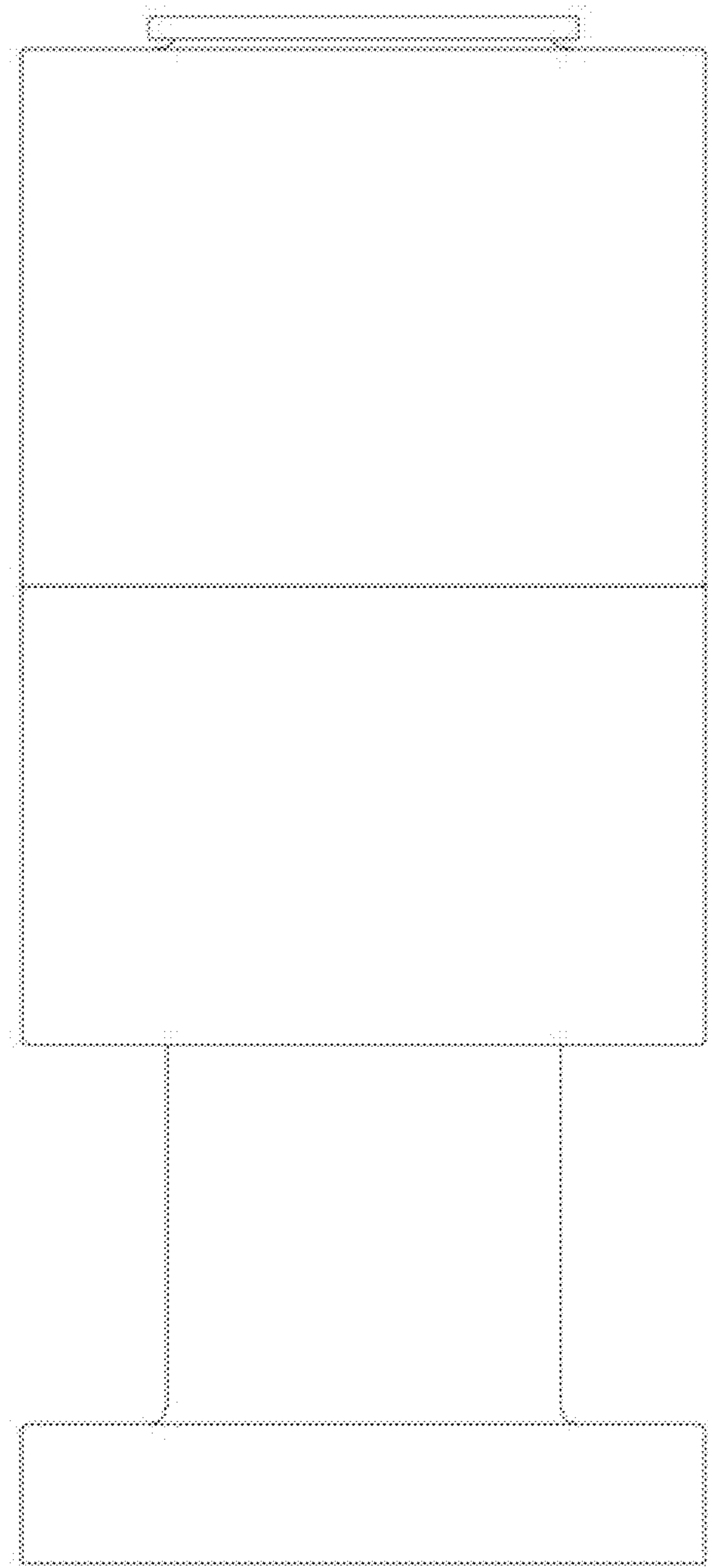


Fig. 4

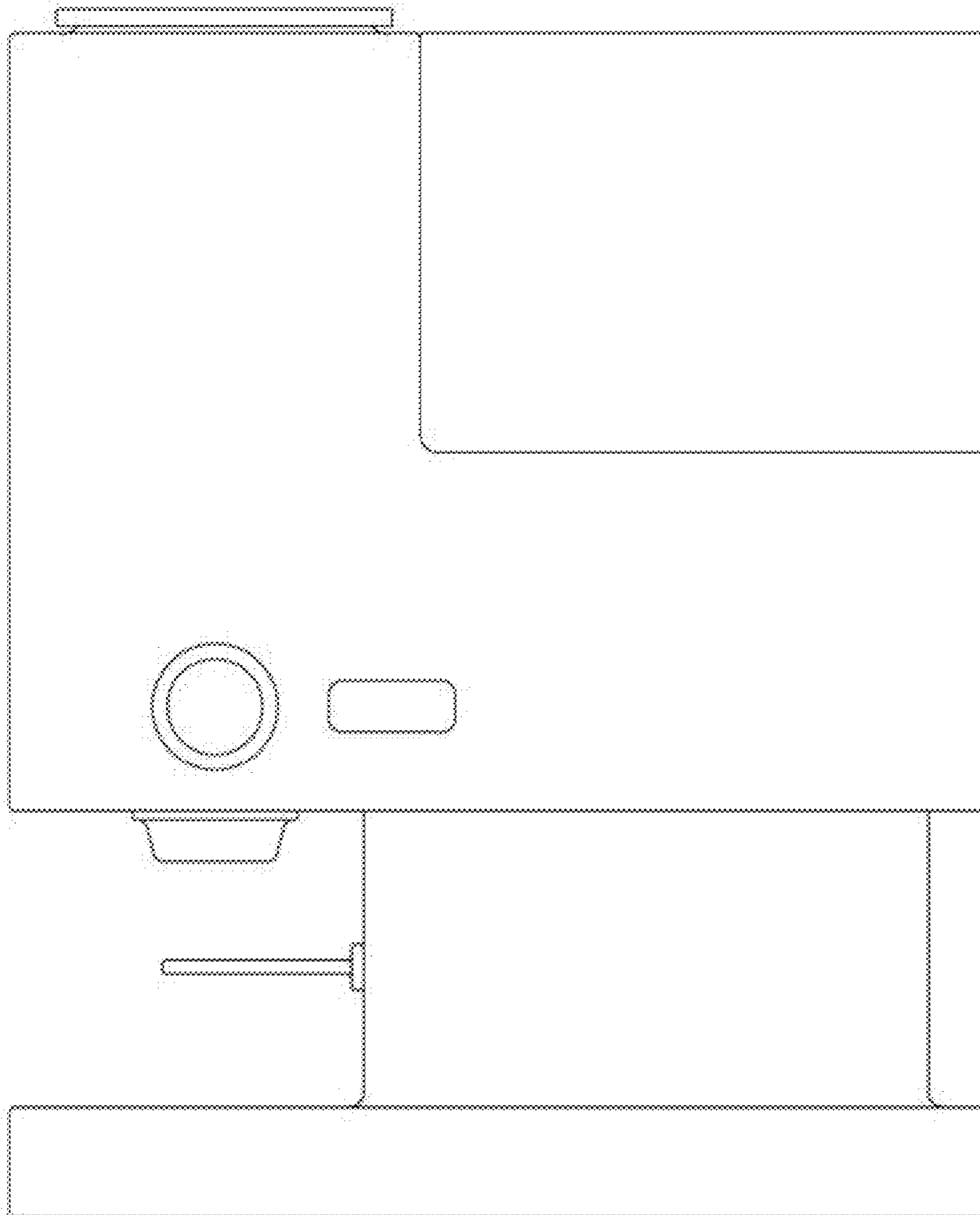


Fig. 5

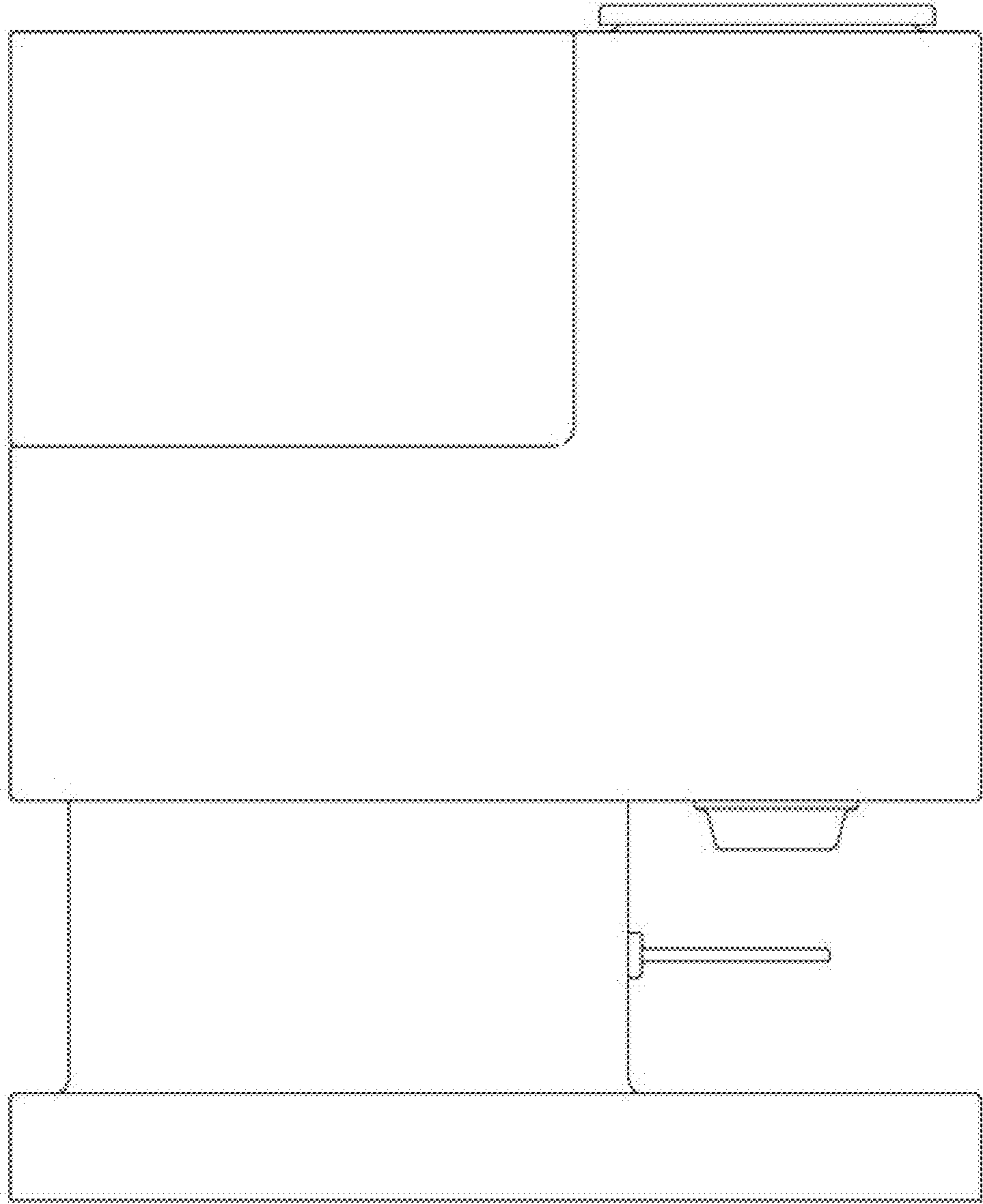


Fig. 6

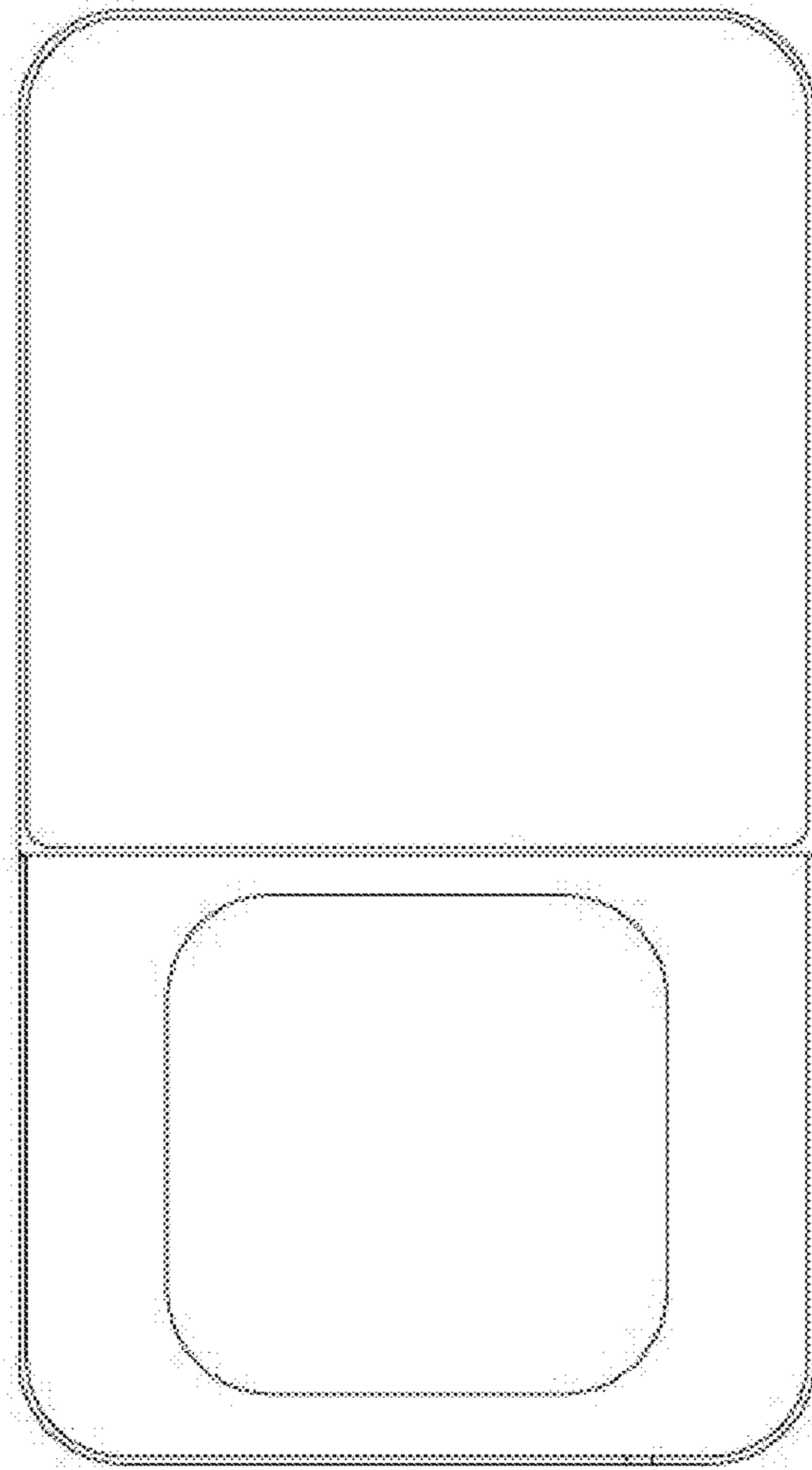


Fig. 7

