



US00D749891S

(12) **United States Design Patent**  
**Pujols et al.**

(10) **Patent No.:** **US D749,891 S**  
(45) **Date of Patent:** **\*\* Feb. 23, 2016**

(54) <b>CULINARY WARE</b>	5,287,798 A *	2/1994	Takeda .....	A47J 27/04 126/369
(71) Applicant: <b>The Bella Trust</b> , Chesterfield, MO (US)	D370,826 S	6/1996	Thurlow	
	D377,581 S	1/1997	Rohrer	
(72) Inventors: <b>Deidre Pujols</b> , Wildwood, MO (US); <b>Bryce George Rutter</b> , Creve Coeur, MO (US); <b>David D. Kusch</b> , Greenwood, IN (US); <b>Melvin Joshua Leedle</b> , St. Louis, MO (US)	D410,817 S	6/1999	Brunianyn	
	D432,354 S	10/2000	Wagner	
	D436,000 S *	1/2001	Munari .....	D7/393
	D448,972 S	10/2001	Knorr	
	D484,740 S	1/2004	Hay	
	D487,212 S	3/2004	Park	
	D509,991 S	9/2005	Costello et al.	
(73) Assignee: <b>THE BELLA TRUST</b> , Chesterfield, MO (US)	D548,545 S	8/2007	Shane-Schuldt	
	D557,062 S *	12/2007	Henry .....	D7/360
	D558,534 S	1/2008	Claramunt	
(**) Term: <b>14 Years</b>	D559,632 S	1/2008	Seidenfaden	
	D568,696 S	5/2008	Seidenfaden	
(21) Appl. No.: <b>29/496,780</b>	D572,523 S *	7/2008	Baker .....	D7/360
	D572,969 S	7/2008	Beyeler	
(22) Filed: <b>Jul. 17, 2014</b>	D578,343 S *	10/2008	Magnouloux .....	D7/393
	D589,295 S	3/2009	Rohrer	
	D593,374 S	6/2009	Shane-Schuldt	

(Continued)

**Related U.S. Application Data**

(63) Continuation of application No. 29/411,493, filed on Jan. 20, 2012, now Pat. No. Des. 711,676.

(51) **LOC (10) Cl.** ..... **07-02**

(52) **U.S. Cl.**  
USPC ..... **D7/360; D7/354**

(58) **Field of Classification Search**  
USPC ..... D7/323, 354-363, 391, 393-396, 409  
CPC ..... A47G 19/12; A47J 27/00; A47J 27/002;  
A47J 27/04; A47J 27/08; A47J 27/21; A47J  
27/58; A47J 36/025; A47J 36/06; A47J 36/08;  
A47J 36/12; A47J 37/00; A47J 37/10; A47J  
37/101; A47J 37/103; A47J 37/12; A47J  
37/1204; A47J 45/061; A47J 45/071; A47J  
45/08; H05B 6/12

See application file for complete search history.

(56) **References Cited**

**U.S. PATENT DOCUMENTS**

D212,704 S \* 11/1968 Benes ..... D7/360  
D338,370 S 8/1993 Takeda

*Primary Examiner* — Ricky Pham

(74) *Attorney, Agent, or Firm* — Harness, Dickey & Pierce, P.L.C.

(57) **CLAIM**

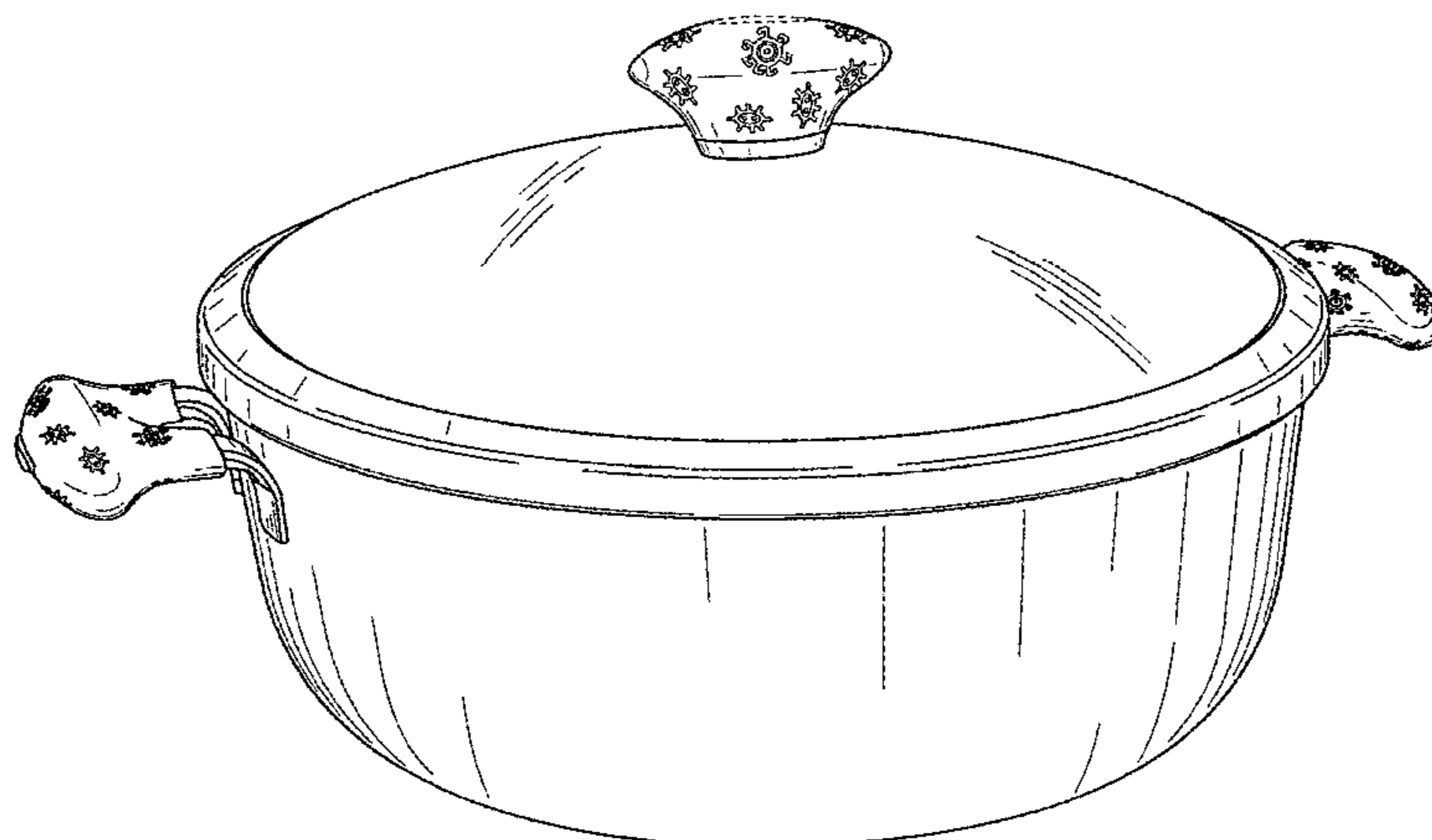
The ornamental design for a culinary ware, as shown and described.

**DESCRIPTION**

FIG. 1 is a front perspective view of a culinary ware in accordance with our new designs;  
FIG. 2 is a right side elevation view thereof;  
FIG. 3 is a left side elevation view thereof;  
FIG. 4 is a front elevation view thereof;  
FIG. 5 is a back elevation view thereof;  
FIG. 6 is a top plan view thereof; and,  
FIG. 7 is a bottom plan view thereof.

The details shown in broken lines are for illustrative purposes only and form no part of the claimed designs.

**1 Claim, 5 Drawing Sheets**



(56)

**References Cited**

U.S. PATENT DOCUMENTS

D593,377 S 6/2009 Ito  
D605,475 S 12/2009 Shane-Schuldt  
D621,653 S 8/2010 Mandel  
D627,200 S 11/2010 Rothman  
D636,632 S 4/2011 Bergne  
D638,257 S 5/2011 Bergne  
D642,430 S 8/2011 Verbrugge  
D644,893 S 9/2011 Jossem et al.

D667,273 S 9/2012 Henry  
D673,806 S \* 1/2013 Upston ..... D7/354  
D676,720 S 2/2013 Attinello  
D702,990 S \* 4/2014 Roussard ..... D7/354  
D703,994 S \* 5/2014 Tumenbatur ..... D7/358  
D711,676 S \* 8/2014 Pujols ..... D7/354  
D727,679 S \* 4/2015 Pujols ..... D7/354  
D731,232 S \* 6/2015 Verkaik ..... D7/354  
2004/0250690 A1\* 12/2004 Restis ..... A47J 36/08  
99/403

\* cited by examiner

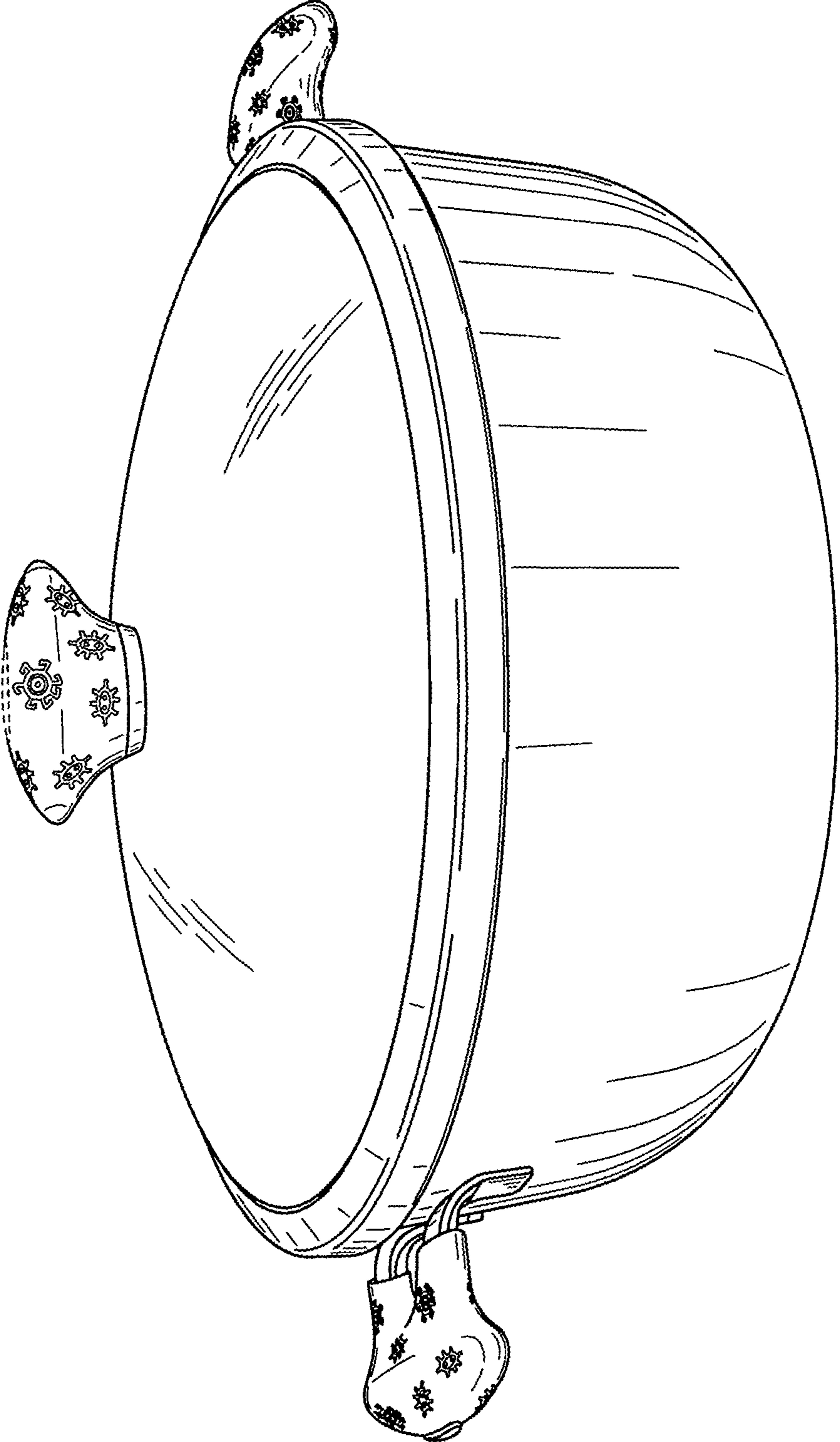


FIG. 1

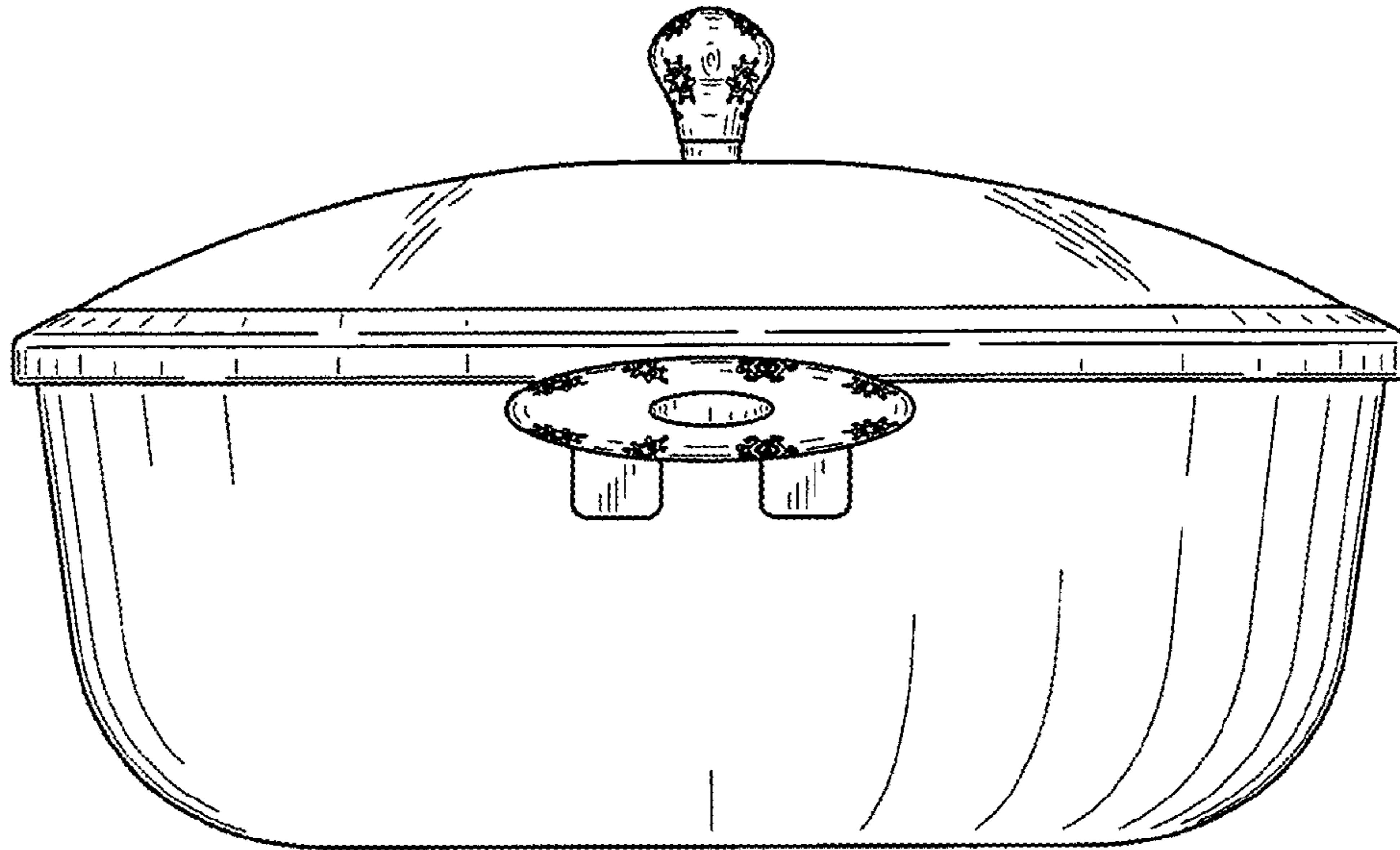


FIG. 2

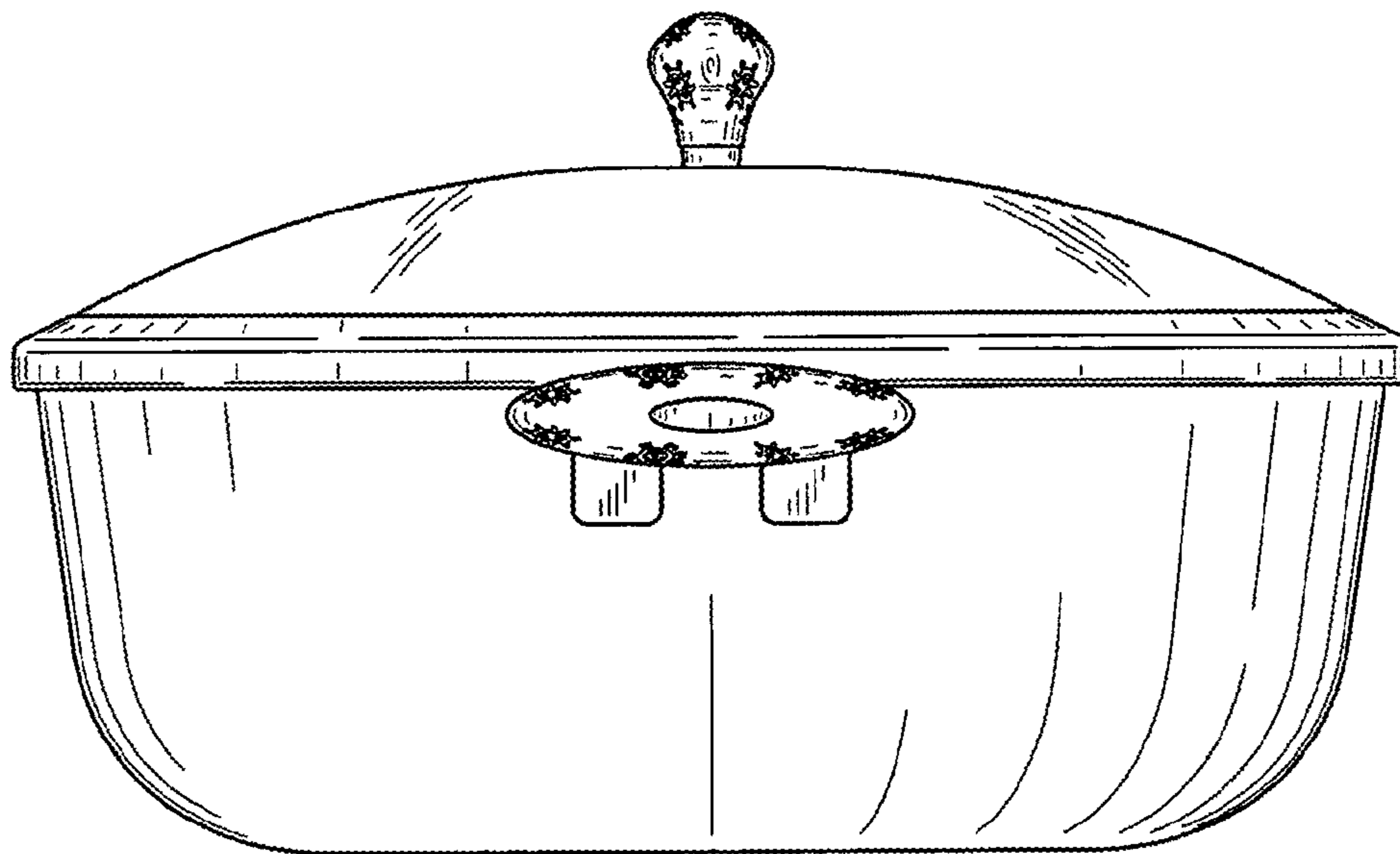


FIG. 3

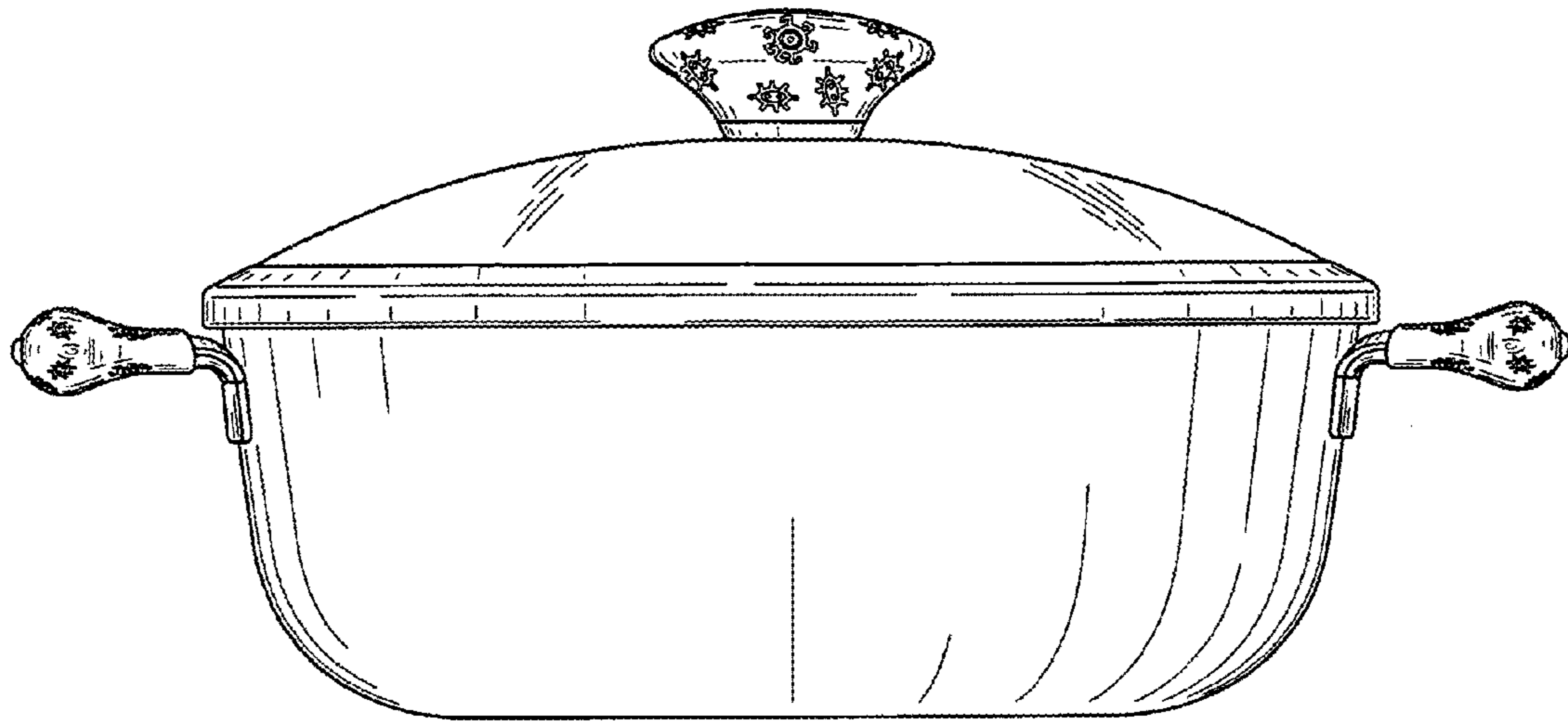


FIG. 4

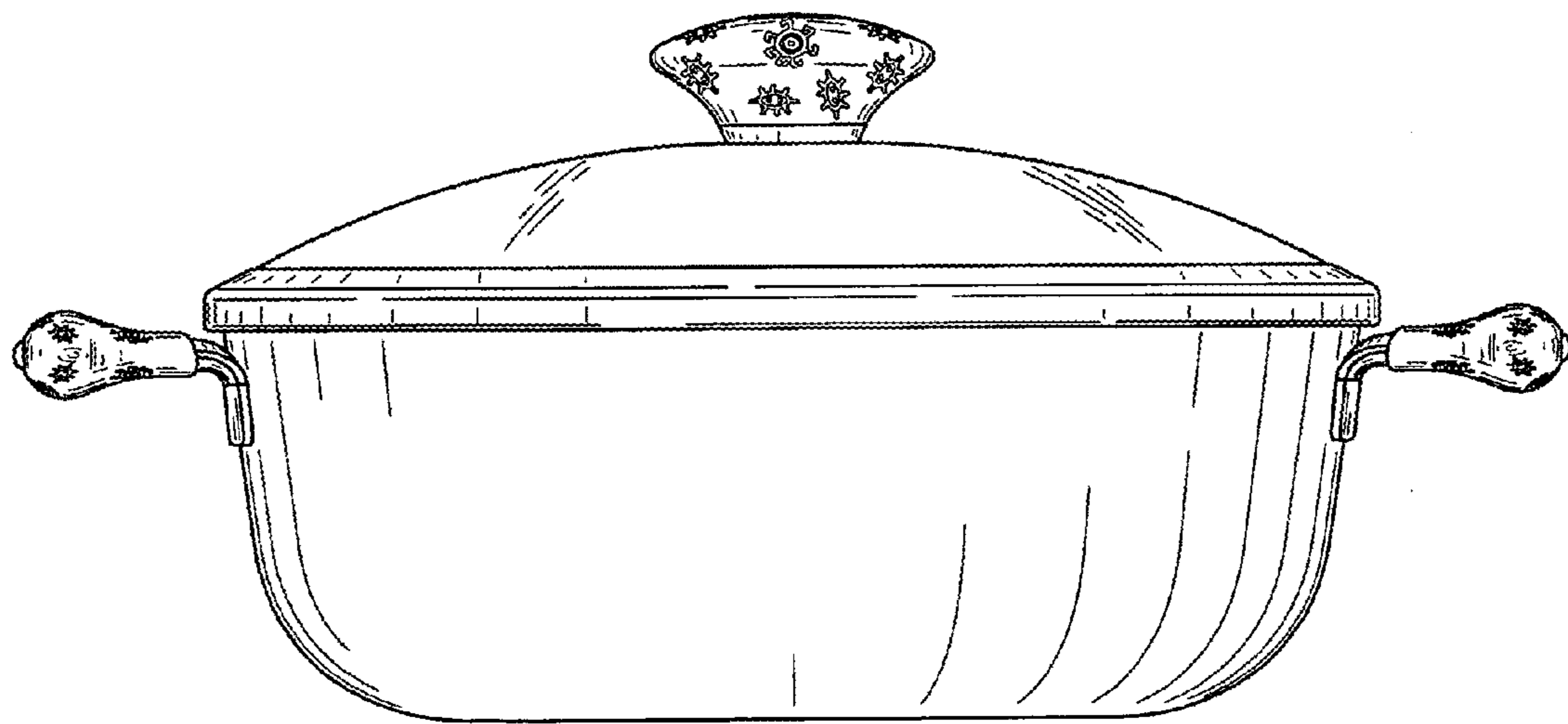


FIG. 5

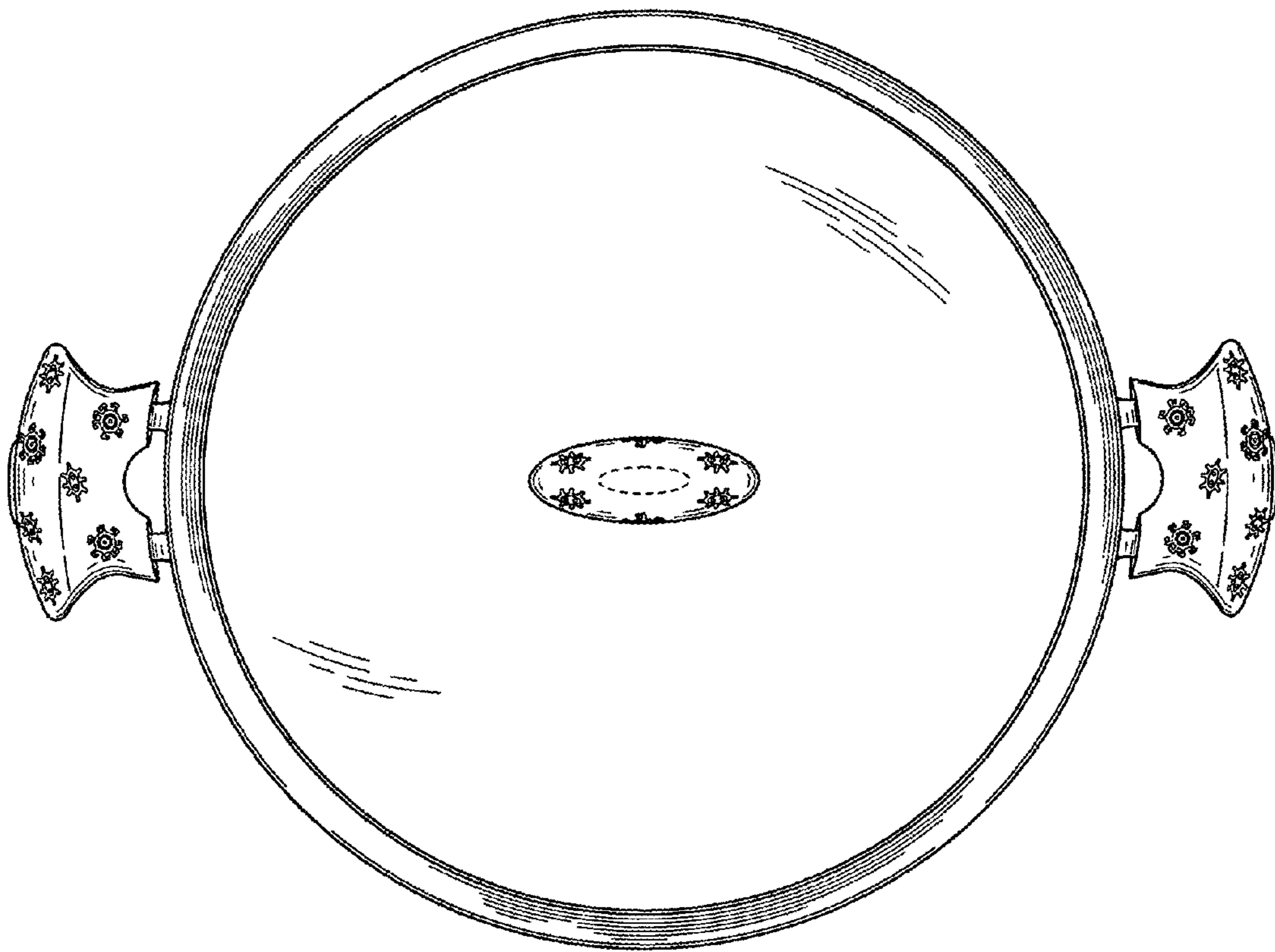


FIG. 6

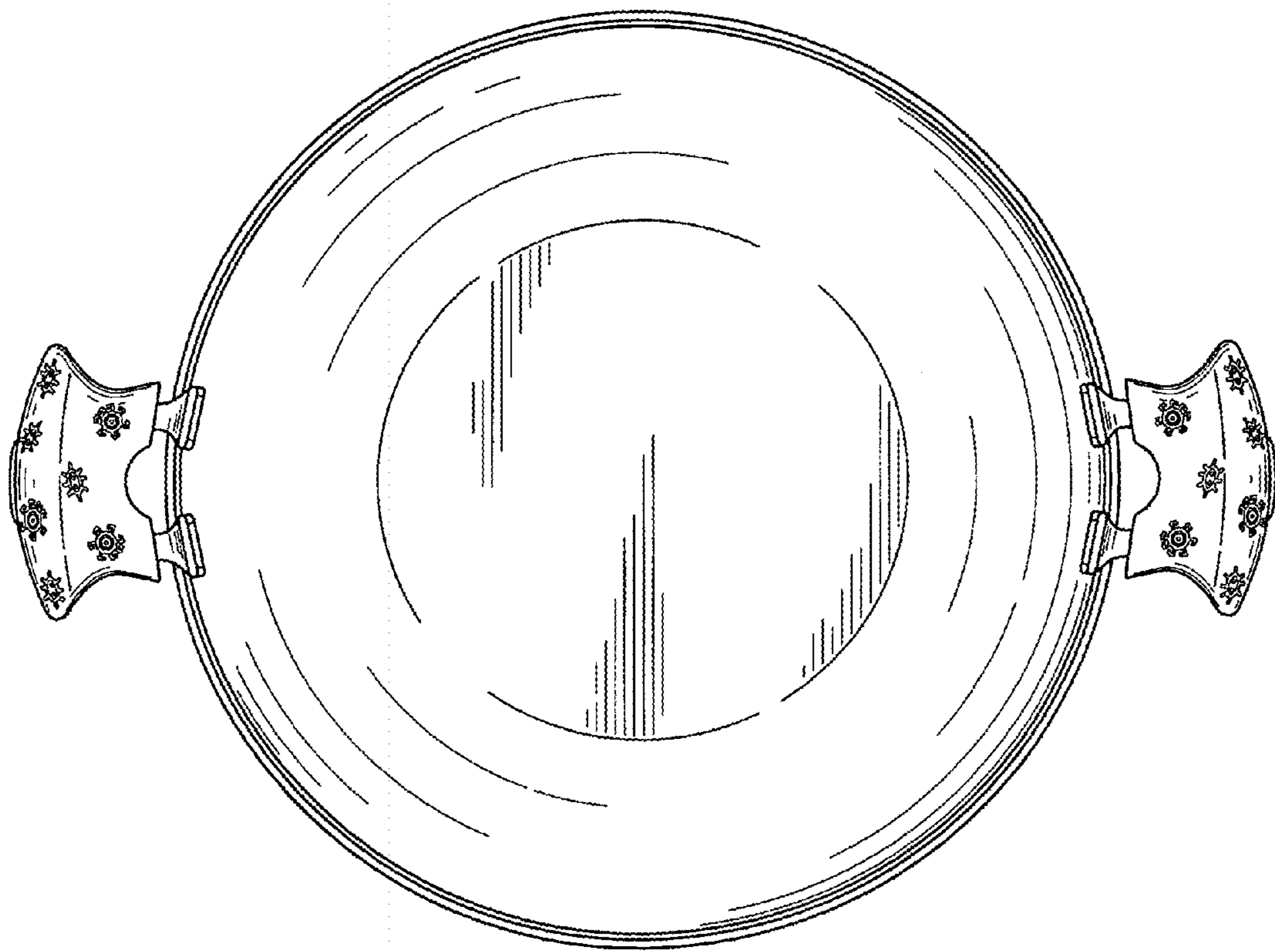


FIG. 7