



US00D749890S

(12) **United States Design Patent**  
**Person**

(10) **Patent No.:** **US D749,890 S**

(45) **Date of Patent:** **\*\* Feb. 23, 2016**

(54) **BAKING DIE**

(71) Applicant: **Georgette A. Person**, Colorado Springs,  
CO (US)

(72) Inventor: **Georgette A. Person**, Colorado Springs,  
CO (US)

(73) Assignee: **Cupped Buns, Inc.**, Colorado Springs,  
CO (US)

(\*\*) Term: **14 Years**

(21) Appl. No.: **29/487,160**

(22) Filed: **Apr. 5, 2014**

(51) **LOC (10) Cl.** ..... **07-02**

(52) **U.S. Cl.**  
USPC ..... **D7/359**; D7/354; D7/357

(58) **Field of Classification Search**  
USPC ..... D7/323, 354–361, 412, 543, 545, 549,  
D7/550.1, 553.1–553.8, 554.1–554.4, 555,  
D7/584, 586; D9/430–433, 455–456, 737,  
D9/756–762; D11/143  
CPC ..... A21B 3/00; A21B 3/13; A21B 3/15;  
A21B 3/132; A21B 3/134; A21B 5/00;  
A21B 5/02; A47J 36/022; A47J 36/025;  
A47J 36/027; A47J 37/00; A47J 37/04;  
B65D 1/22; B65D 1/24; B65D 1/34; B65D  
1/36; B65D 81/343; B65D 85/36  
See application file for complete search history.

(56) **References Cited**

**U.S. PATENT DOCUMENTS**

- 1,476,910 A \* 12/1923 Naugle ..... A21B 3/132  
220/23.2
- 1,906,592 A \* 5/1933 Hiester ..... A21B 3/132  
249/133
- 2,097,356 A \* 10/1937 Truesdale ..... A21B 3/132  
249/122
- 2,290,396 A \* 7/1942 Webster ..... A21B 3/13  
220/231
- D481,584 S \* 11/2003 Nolan ..... 220/507
- D481,905 S \* 11/2003 Nolan ..... 220/507
- D488,741 S \* 4/2004 Moya ..... D11/143

- D508,632 S \* 8/2005 Nolan ..... D7/412
- 7,150,221 B2 \* 12/2006 Morgan ..... A21B 3/132  
99/428
- D574,180 S \* 8/2008 Broom ..... D7/357
- D574,181 S \* 8/2008 Broom ..... D7/357
- D574,183 S \* 8/2008 Broom ..... D7/354
- 2005/0242099 A1 \* 11/2005 Berryhill ..... A21B 3/132  
220/573.1

\* cited by examiner

*Primary Examiner* — Ricky Pham

(74) *Attorney, Agent, or Firm* — Martensen IP

(57) **CLAIM**

The ornamental design for a baking die, as shown and described.

**DESCRIPTION**

FIG. 1 is a top right perspective drawing of a first embodiment of a baking die shown in a baking pan environment having a plurality of dies.

FIG. 2 is an enlarged front perspective view of the first embodiment of a baking die.

FIG. 3 is an enlarged side view of the first embodiment of a baking die.

FIG. 4 is an enlarged opposite side view of the first embodiment of a baking die.

FIG. 5 is an enlarged front view of the first embodiment of a baking die.

FIG. 6 is an enlarged rear view of the first embodiment of a baking die.

FIG. 7 is an enlarged top view of first embodiment of a baking die.

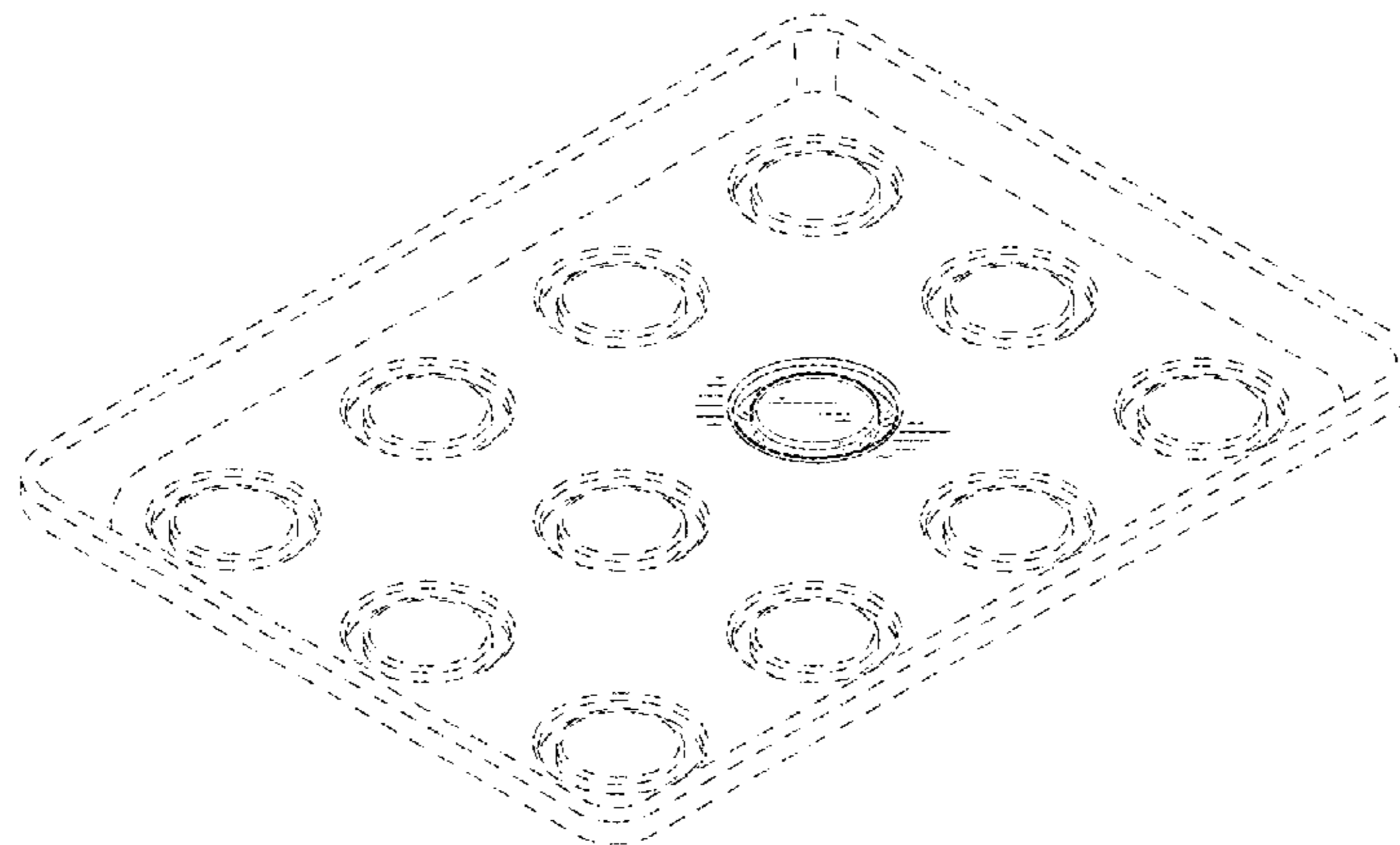
FIG. 8 is an enlarged bottom view of first embodiment of a baking die.

FIG. 9 is an enlarged perspective view of a second embodiment of a baking die having a wider channel; and,

FIG. 10 is an enlarged perspective view of a third embodiment of a baking die having a deeper channel.

Portions of the drawings shown in broken lines indicate surrounding structure and environment and form no part of the claimed design.

**1 Claim, 4 Drawing Sheets**



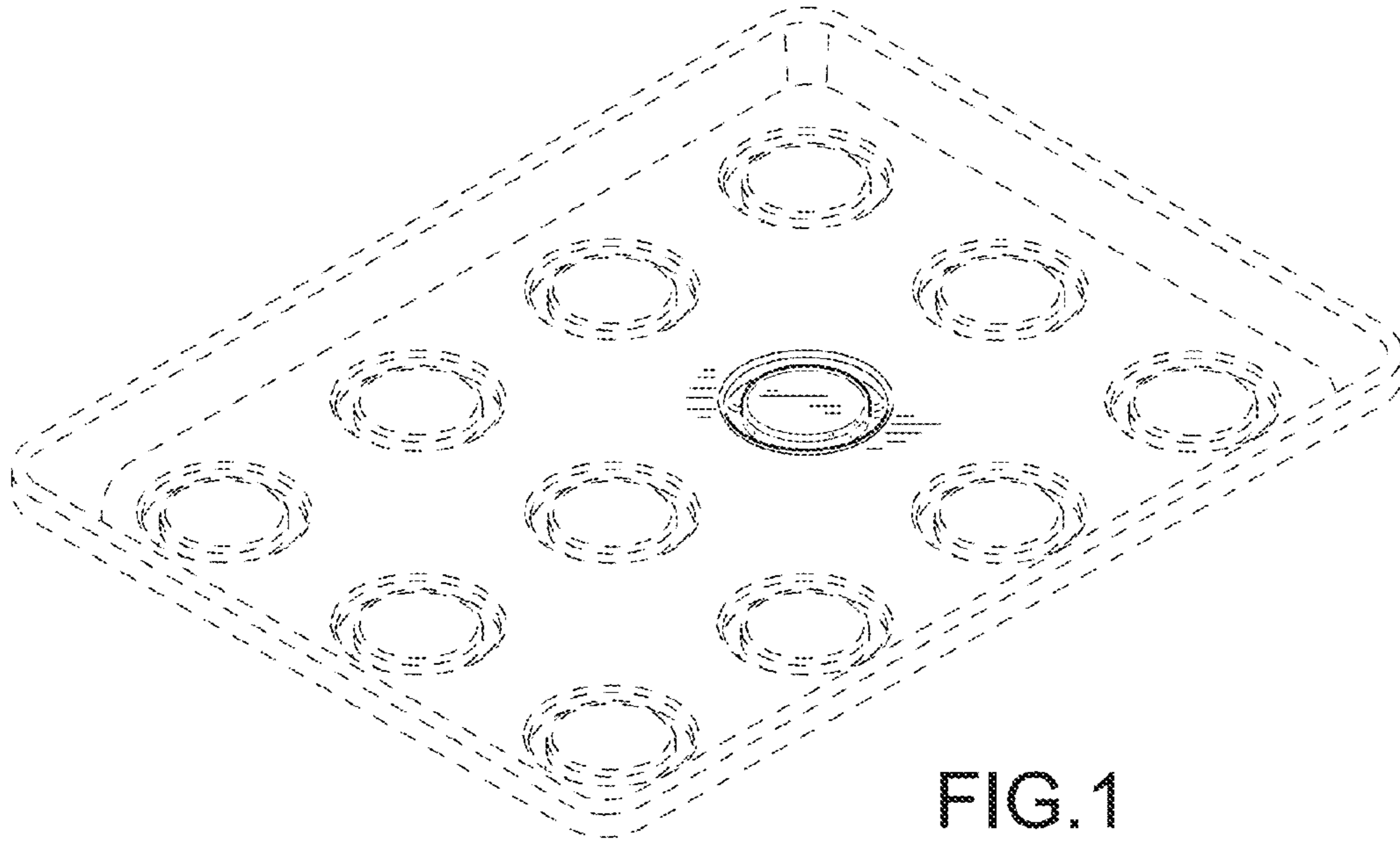


FIG. 1

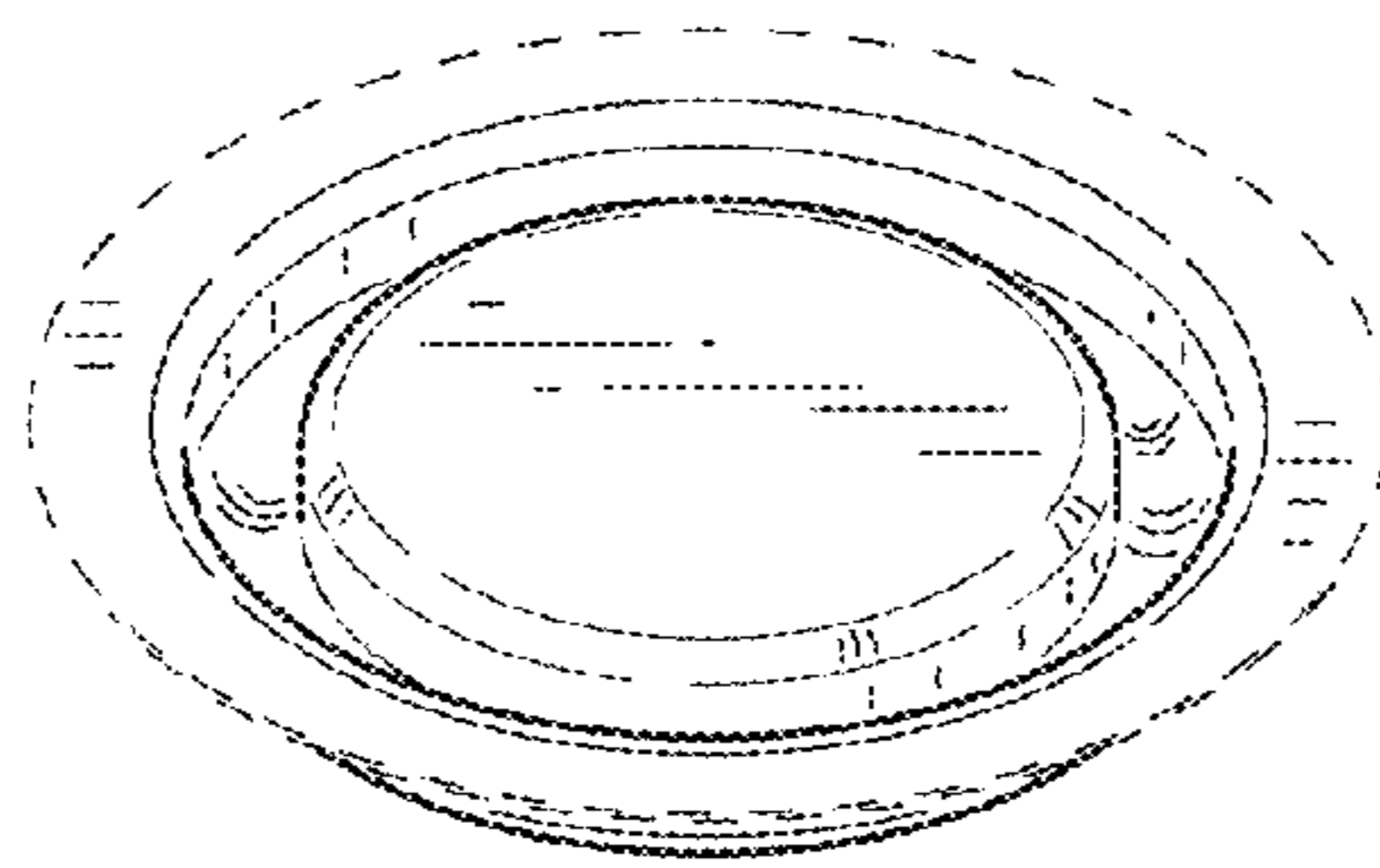


FIG. 2

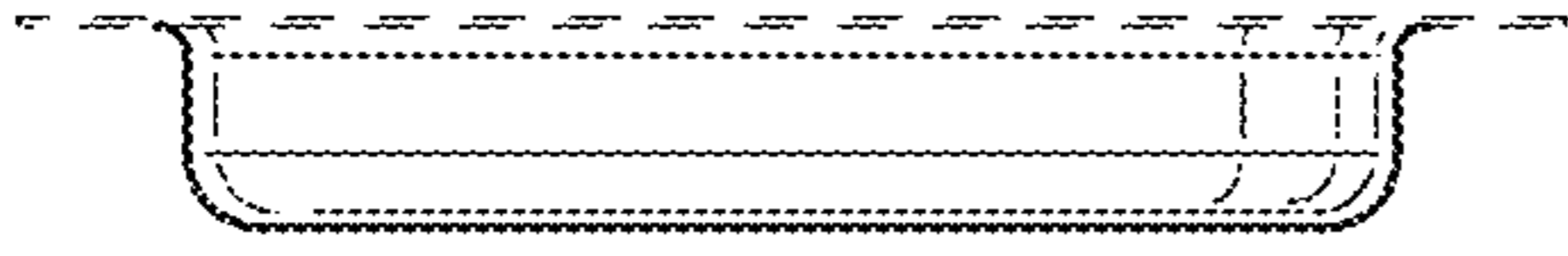


FIG.3

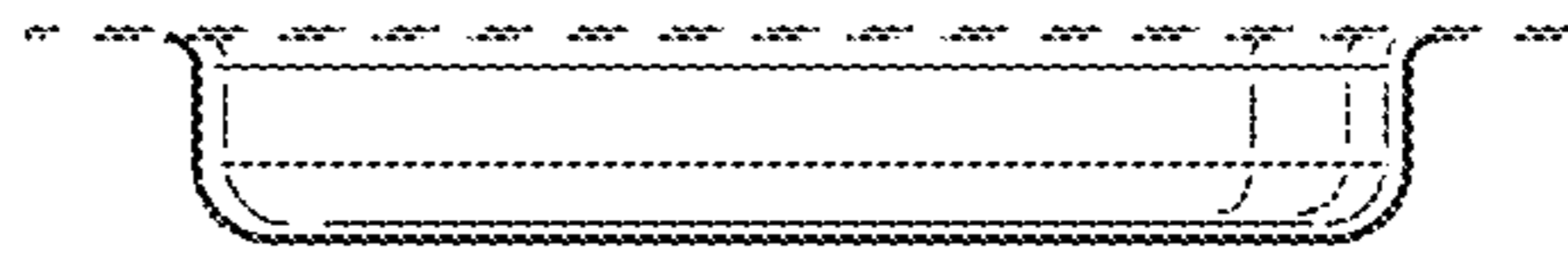


FIG.4

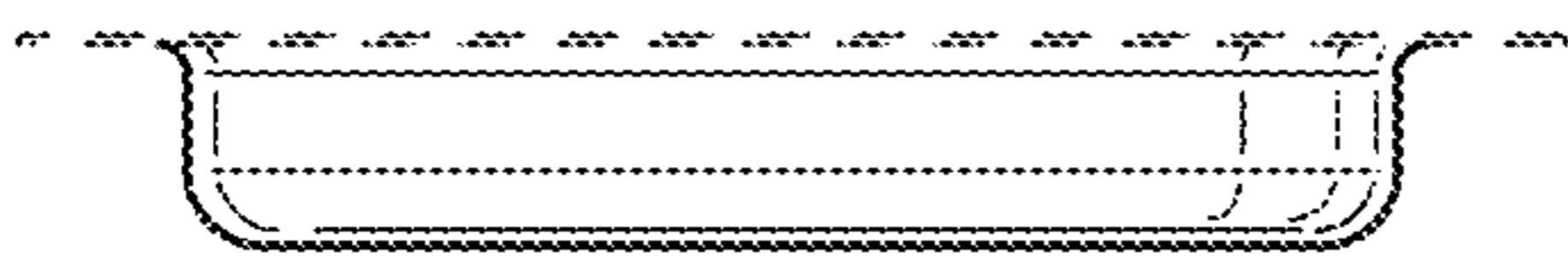


FIG.5

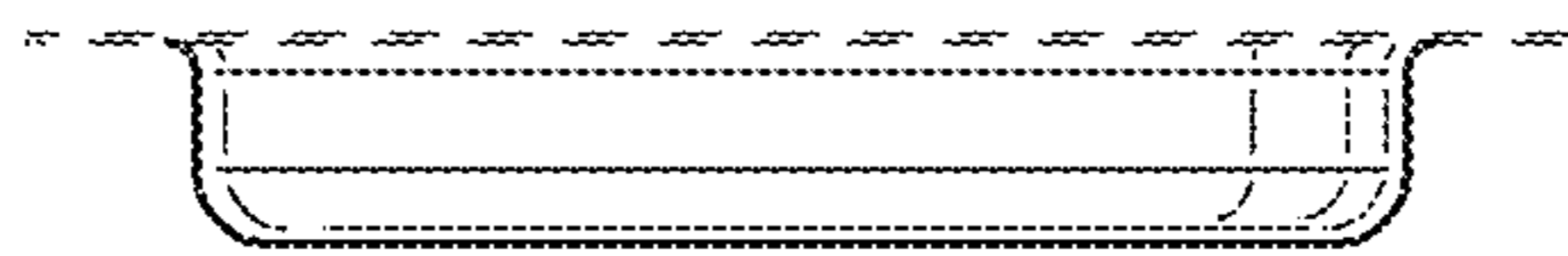


FIG.6

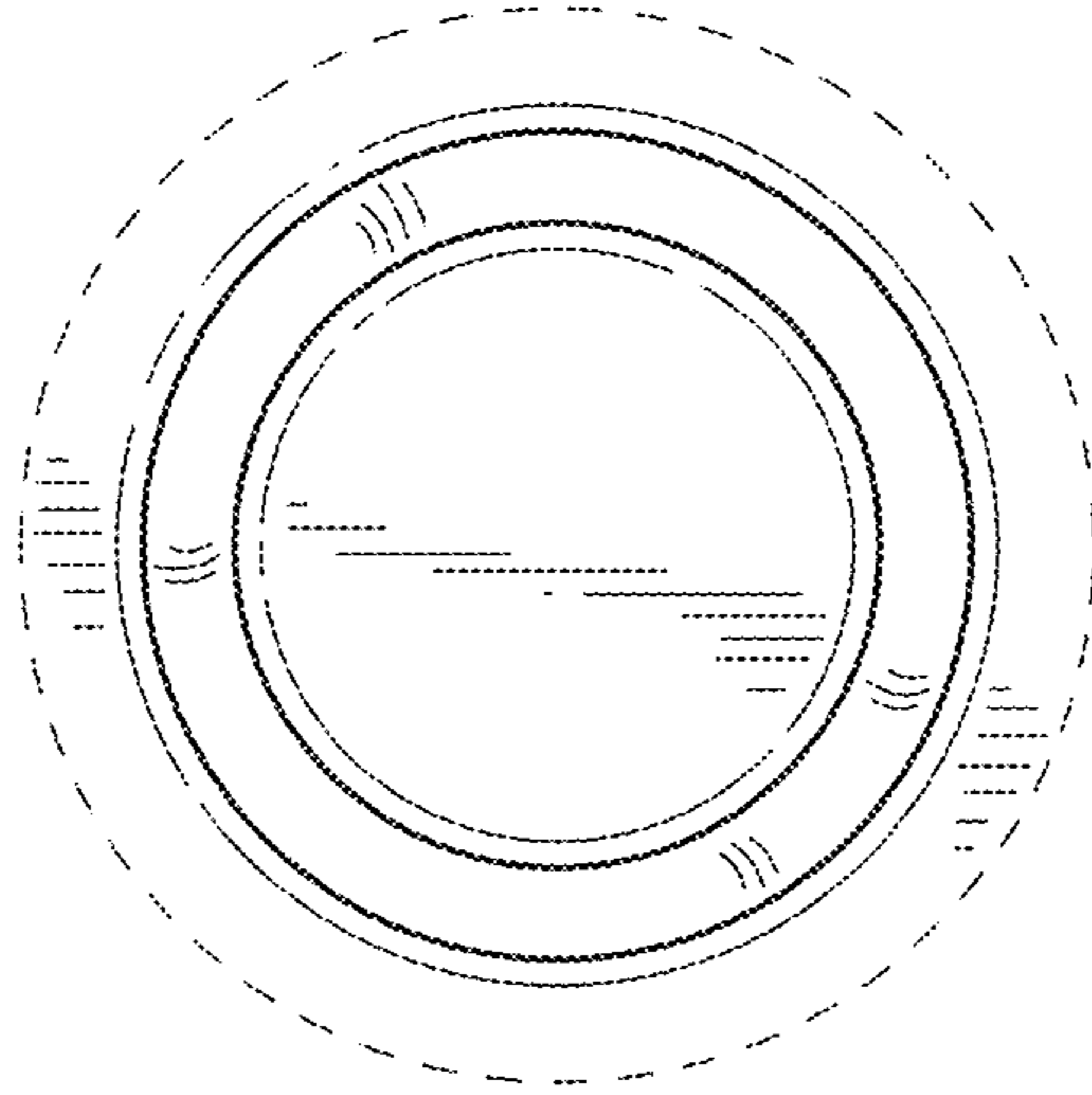


FIG. 7

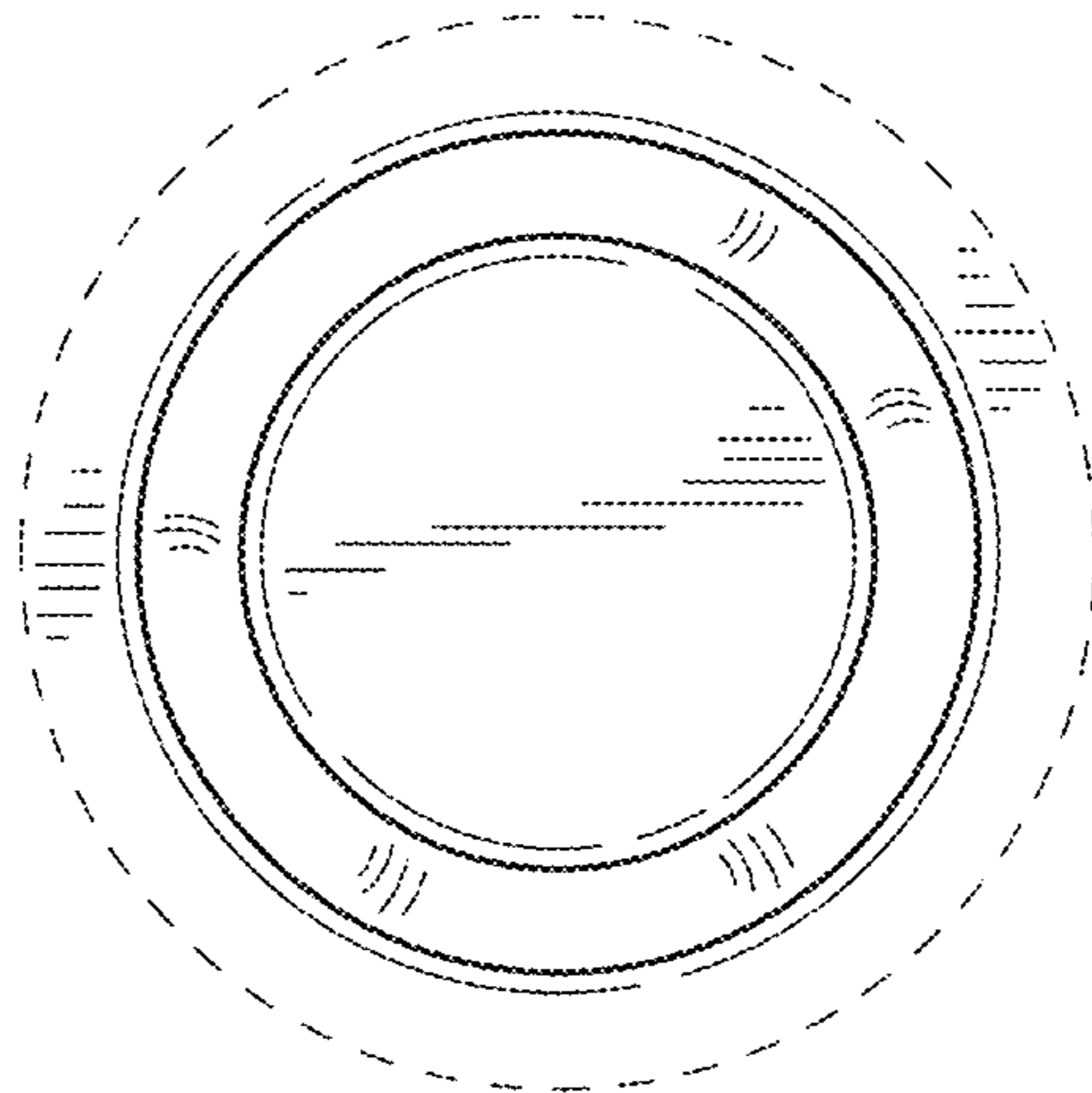


FIG. 8

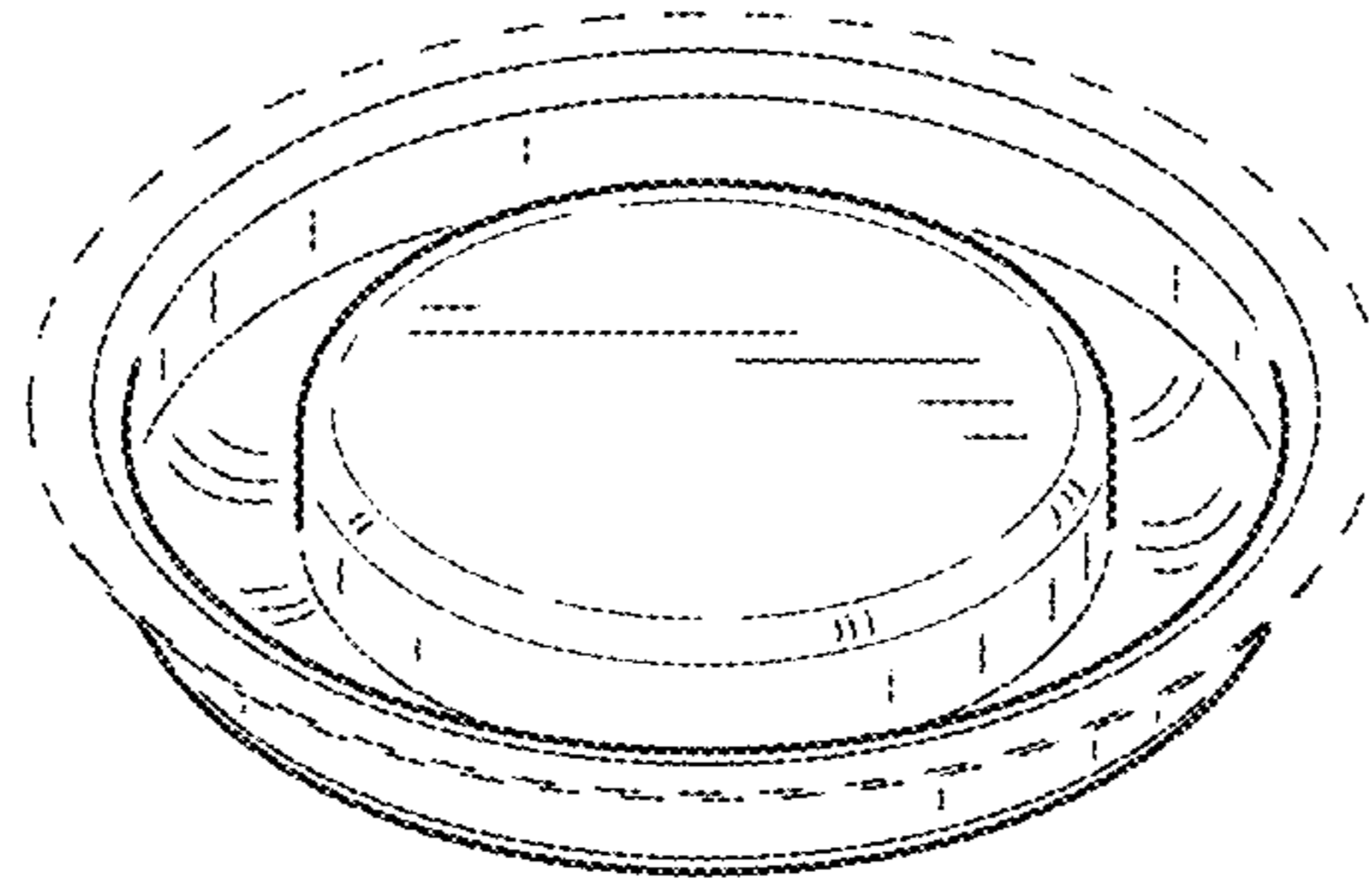


FIG. 9

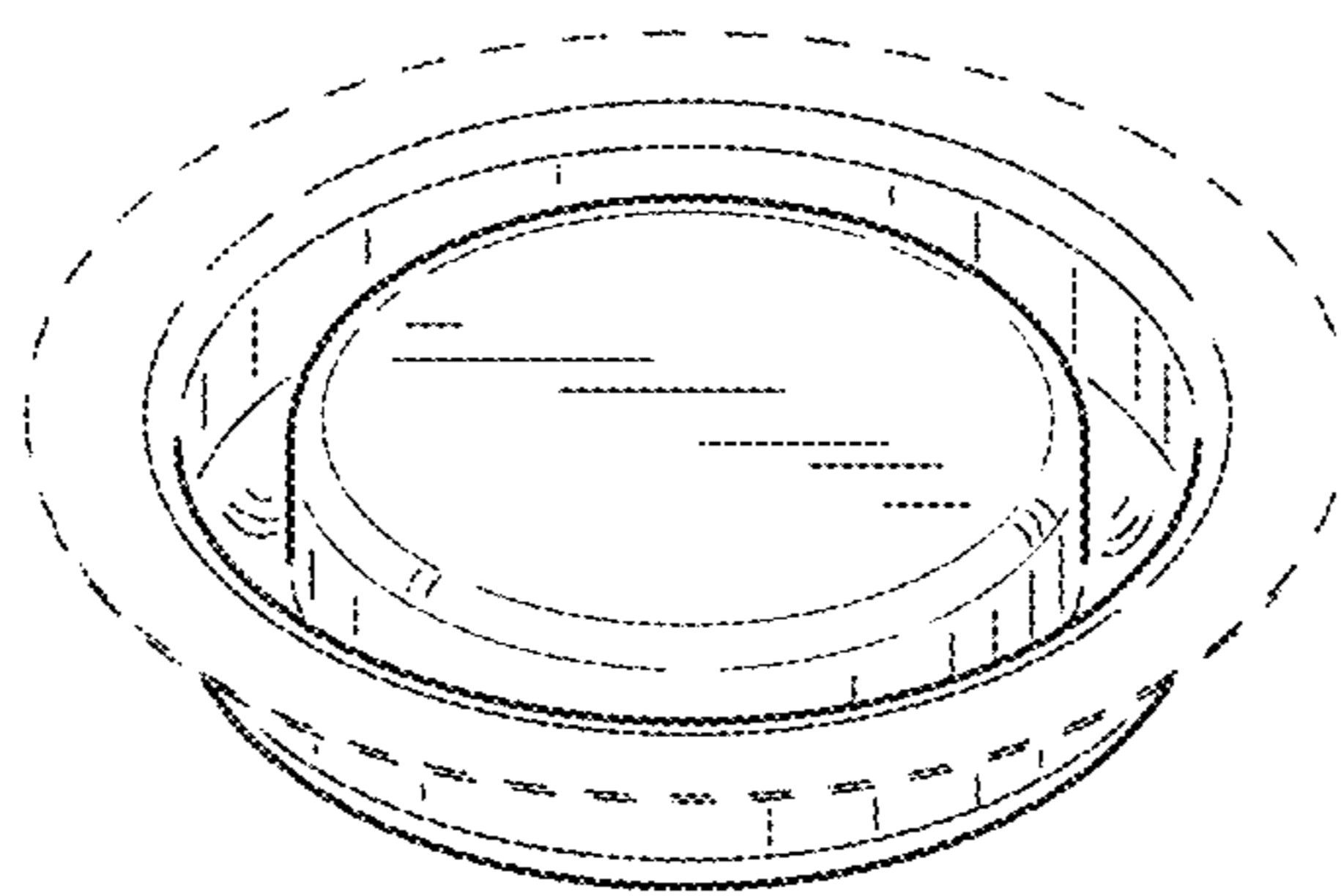


FIG. 10