



US00D749889S

(12) **United States Design Patent**  
**Magistro**

(10) **Patent No.:** **US D749,889 S**

(45) **Date of Patent:** **\*\* Feb. 23, 2016**

- (54) **PIZZA RING**
- (71) Applicant: **Anthony J. Magistro**, Omaha, NE (US)
- (72) Inventor: **Anthony J. Magistro**, Omaha, NE (US)
- (\*\*) Term: **14 Years**
- (21) Appl. No.: **29/490,129**
- (22) Filed: **May 7, 2014**
- (51) **LOC (10) Cl.** ..... **07-02**
- (52) **U.S. Cl.**  
USPC ..... **D7/354**
- (58) **Field of Classification Search**  
USPC ..... D7/323, 354-361, 402, 407, 409, 543,  
D7/545, 549, 550.1, 553.1-553.8,  
D7/554.1-554.4, 555, 584, 586, 688;  
D9/430-433, 455-456, 737, 756-762  
CPC ..... A21B 3/00; A21B 3/003; A21B 3/06;  
A21B 3/13; A21B 3/15; A21B 3/134; A21B  
5/00; A21B 5/02; A21D 13/0006; A47J  
27/10; A47J 36/18; A47J 36/022; A47J  
36/025; A47J 36/027; A47J 37/00; A47J  
37/04; A47J 43/28; A47J 43/284; B23K  
9/0026; B25H 7/04; B60B 25/08; B65D 1/22;  
B65D 1/24; B65D 1/34; B65D 1/36; B65D  
23/08; B65D 23/0885; B65D 81/343; B65D  
83/00; B65D 85/36; B65D 88/04; G01B 7/18;  
H01R 9/05

See application file for complete search history.

(56) **References Cited**

**U.S. PATENT DOCUMENTS**

- 1,388,364 A \* 8/1921 Miller ..... A21B 3/13  
220/504
- 1,621,315 A \* 3/1927 D Evlyn ..... A21B 3/13  
126/385.1
- 1,655,931 A \* 1/1928 Langstroth ..... B23K 9/0026  
196/133

- 1,710,614 A \* 4/1929 Furrer ..... B60B 25/08  
152/409
- 2,430,566 A \* 11/1947 Harriss ..... A21D 13/0006  
249/53 R
- 3,026,587 A \* 3/1962 Spencer ..... A24B 1/06  
131/110
- 3,062,369 A \* 11/1962 Guy ..... B65D 83/00  
206/525
- 3,347,181 A \* 10/1967 Pizzo ..... A21B 3/15  
426/19
- 3,477,285 A \* 11/1969 Bird ..... G01B 7/18  
174/135
- 4,184,421 A \* 1/1980 Ahlgren ..... A47J 36/022  
99/432
- 4,561,476 A \* 12/1985 Bunkoczy ..... B65D 88/04  
141/311 R
- 4,906,207 A \* 3/1990 Banning ..... H01R 9/05  
439/578
- 5,012,947 A \* 5/1991 Roland ..... A47J 27/10  
126/378.1
- 5,390,804 A \* 2/1995 Beggins ..... B65D 23/0885  
215/12.1
- 5,477,620 A \* 12/1995 Barnett ..... B25H 7/04  
33/644

(Continued)

*Primary Examiner* — Ricky Pham

(74) *Attorney, Agent, or Firm* — Dennis L. Thomte; Thomte Patent Law Office LLC

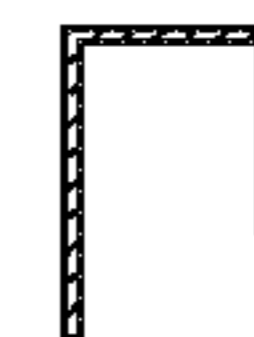
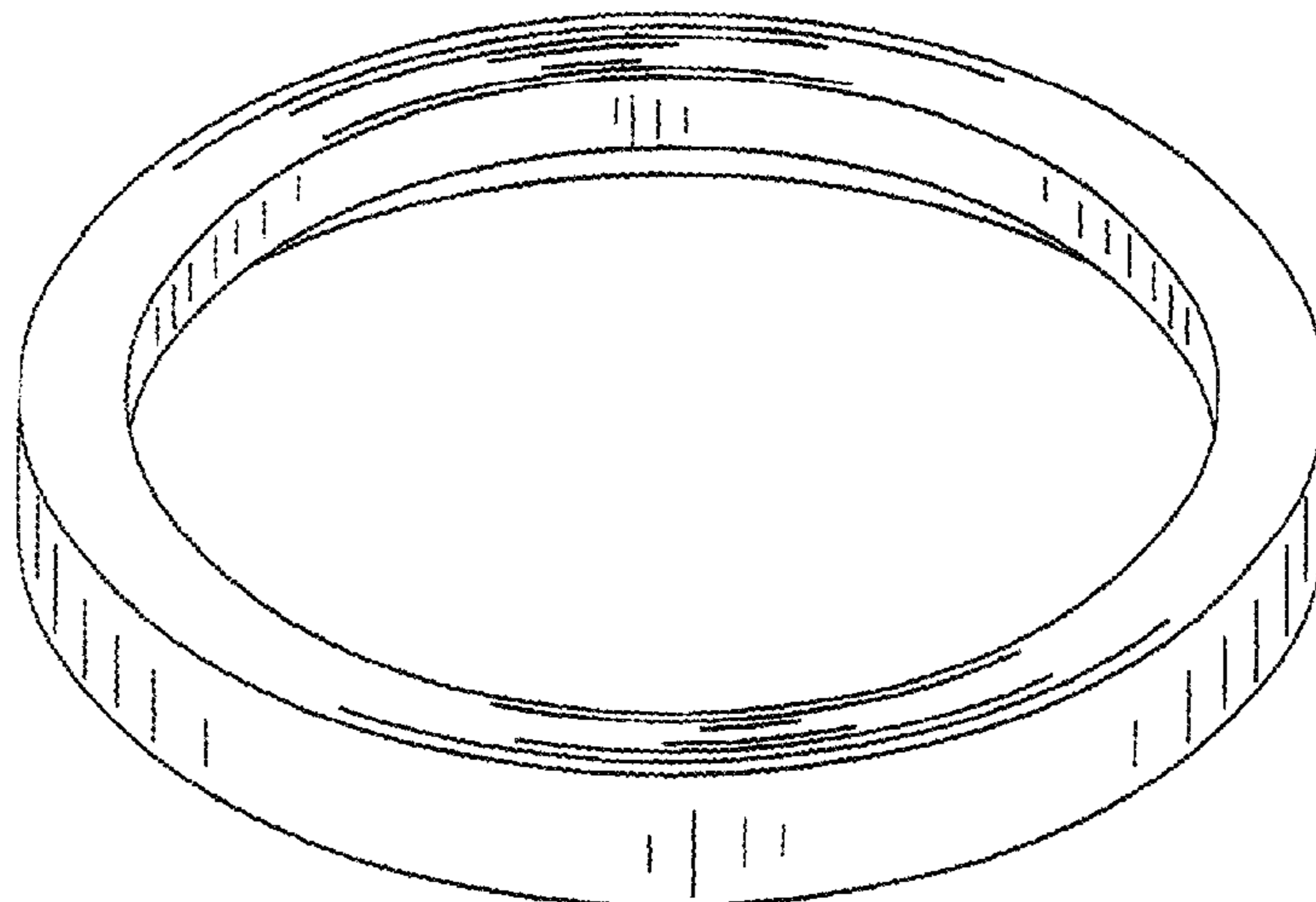
(57) **CLAIM**

The ornamental design for a pizza ring, as shown and described.

**DESCRIPTION**

FIG. 1 is a perspective view of the pizza ring of this invention; FIG. 2 is a top view of the pizza ring of this invention; FIG. 3 is a bottom view of the pizza ring of this invention; FIG. 4 is a typical side view of the pizza ring of this invention; and, FIG. 5 is a sectional view of the pizza ring of this invention as seen on lines 5-5 of FIG. 2.

**1 Claim, 2 Drawing Sheets**



# US D749,889 S

Page 2

(56)

## References Cited

### U.S. PATENT DOCUMENTS

5,915,580	A *	6/1999	Melk	.....	B65D 23/08	215/386
5,924,591	A *	7/1999	Contos	.....	A21B 3/15	220/23.8
6,055,901	A *	5/2000	Gantos	.....	A47J 36/18	126/369
6,286,708	B1 *	9/2001	Scheibmeir	.....	A21B 3/13	220/573.1
D486,356	S *	2/2004	Hoff	.....		D7/409
D526,160	S *	8/2006	Sesona	.....		D7/323
D542,091	S *	5/2007	Hoff	.....		D7/409
D568,093	S *	5/2008	Hocutt	.....		D7/356
D628,848	S *	12/2010	Junkins	.....		D7/354
D652,675	S *	1/2012	Miller	.....		D7/402
D738,673	S *	9/2015	Sanders	.....		D7/354
2007/0190215	A1	8/2007	Reddy			
2013/0295262	A1	11/2013	Giordano			

\* cited by examiner

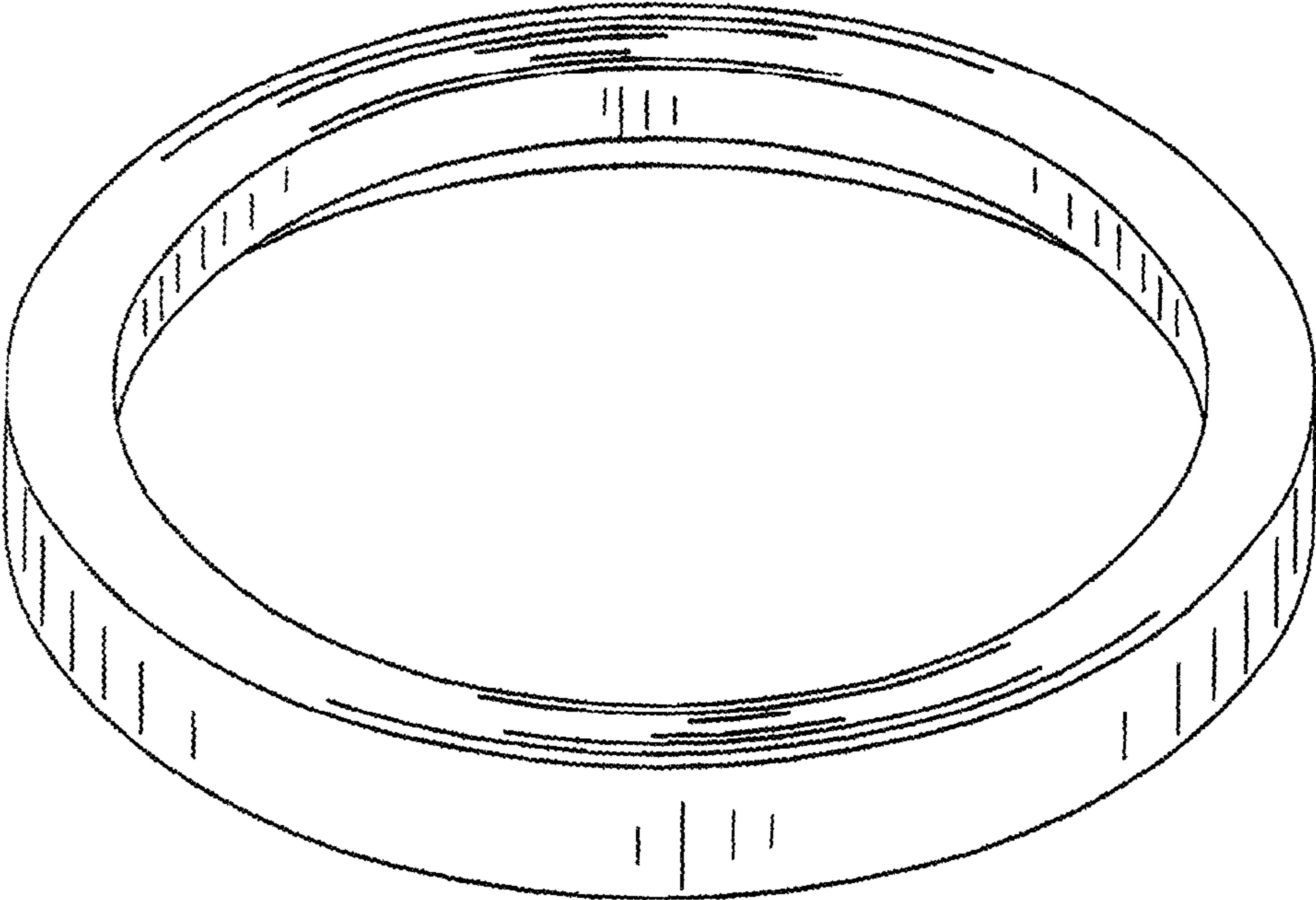


FIG. 1

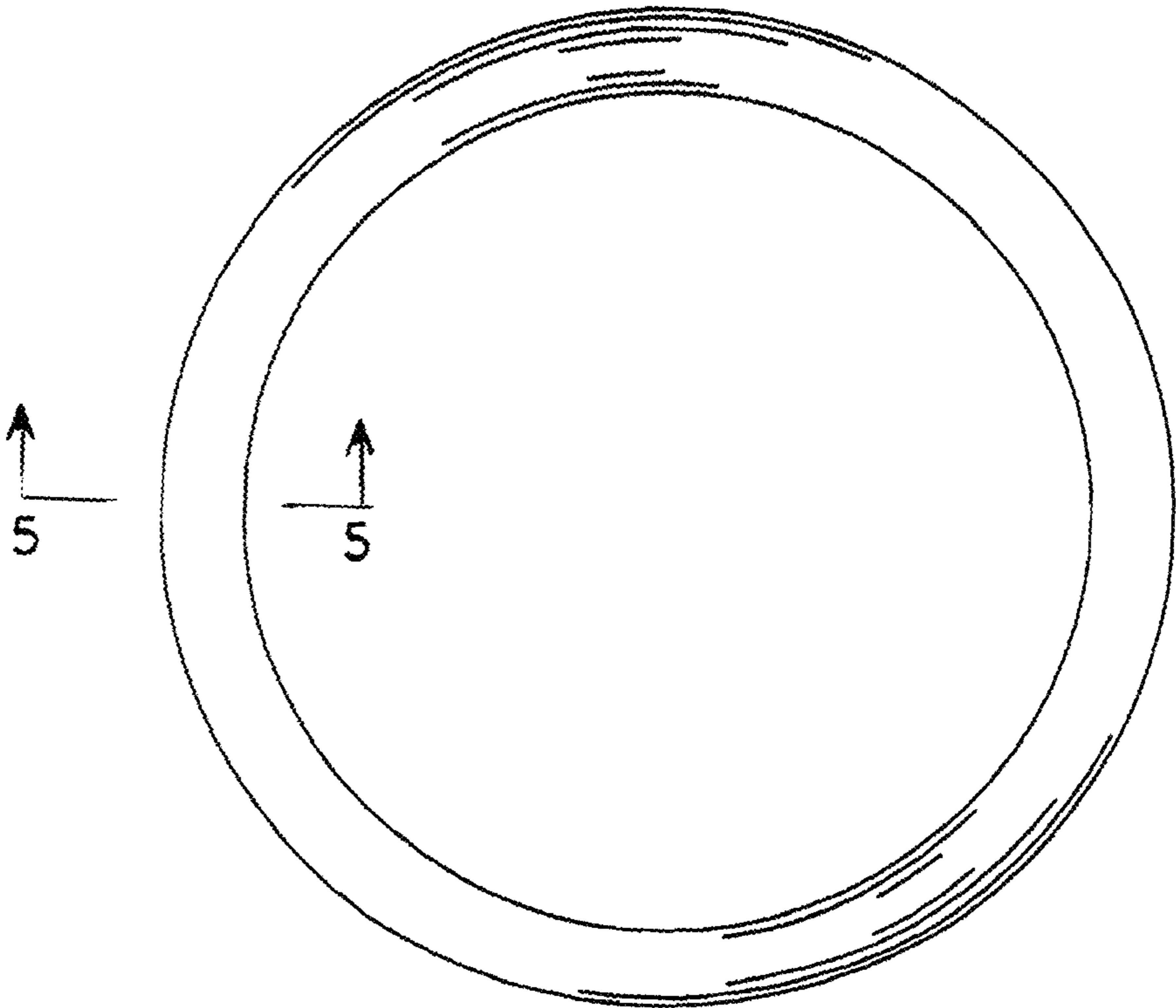


FIG. 2

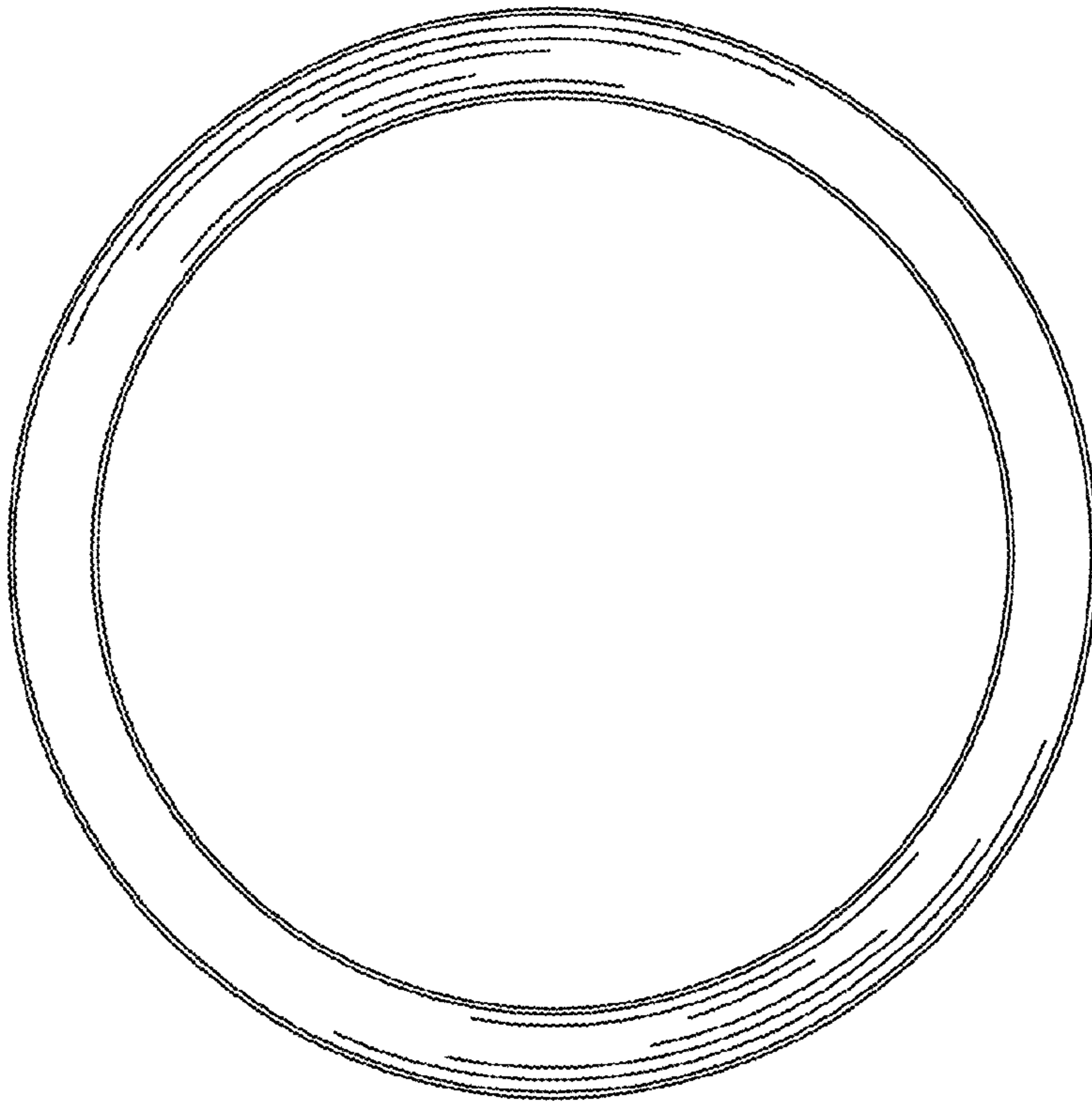


FIG. 3



FIG. 4

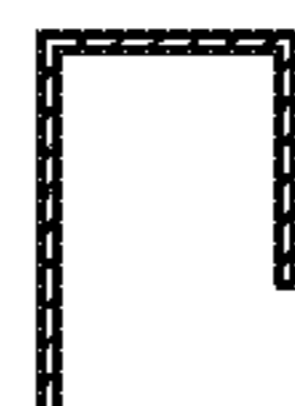


FIG. 5