



US00D749888S

(12) **United States Design Patent**  
**Magistro**

(10) **Patent No.:** **US D749,888 S**

(45) **Date of Patent:** **\*\* Feb. 23, 2016**

- (54) **PIZZA RING**
- (71) Applicant: **Anthony J. Magistro**, Omaha, NE (US)
- (72) Inventor: **Anthony J. Magistro**, Omaha, NE (US)
- (\*\*) Term: **14 Years**
- (21) Appl. No.: **29/490,128**
- (22) Filed: **May 7, 2014**
- (51) **LOC (10) Cl.** ..... **07-02**
- (52) **U.S. Cl.**  
USPC ..... **D7/354**
- (58) **Field of Classification Search**  
USPC ..... D7/323, 354-361, 402, 407, 409, 543,  
D7/545, 549, 550.1, 553.1-553.8,  
D7/554.1-554.4, 555, 584, 586, 688;  
D9/430-433, 455-456, 737, 756-762  
CPC ..... A21B 3/00; A21B 3/003; A21B 3/06;  
A21B 3/13; A21B 3/15; A21B 3/134; A21B  
5/00; A21B 5/02; A21D 13/0006; A47J  
27/10; A47J 36/18; A47J 36/022; A47J  
36/025; A47J 36/027; A47J 37/00; A47J  
37/04; A47J 43/28; A47J 43/284; B23K  
9/0026; B25H 7/04; B60B 25/08; B65D 1/22;  
B65D 1/24; B65D 1/34; B65D 1/36; B65D  
23/08; B65D 23/0885; B65D 81/343; B65D  
83/00; B65D 85/36; B65D 88/04; G01B 7/18;  
H01R 9/05  
See application file for complete search history.

- (56) **References Cited**  
U.S. PATENT DOCUMENTS  
1,388,364 A \* 8/1921 Miller ..... A21B 3/13  
220/504  
1,621,315 A \* 3/1927 Evlyn ..... A21B 3/13  
126/385.1  
1,655,931 A \* 1/1928 Langstroth ..... B23K 9/0026  
196/133  
1,710,614 A \* 4/1929 Furrer ..... B60B 25/08  
152/409  
2,430,566 A \* 11/1947 Harriss ..... A21D 13/0006  
249/53 R

- 3,026,587 A \* 3/1962 Spencer ..... A24B 1/06  
131/110
- 3,062,369 A \* 11/1962 Guy ..... B65D 83/00  
206/525
- 3,347,181 A \* 10/1967 Pizzo ..... A21B 3/15  
426/19
- 3,477,285 A \* 11/1969 Bird ..... G01B 7/18  
174/135
- 4,184,421 A \* 1/1980 Ahlgren ..... A47J 36/022  
99/432
- 4,561,476 A \* 12/1985 Bunkoczy ..... B65D 88/04  
141/311 R
- 4,906,207 A \* 3/1990 Banning ..... H01R 9/05  
439/578
- 5,012,947 A \* 5/1991 Roland ..... A47J 27/10  
126/378.1
- 5,390,804 A \* 2/1995 Beggins ..... B65D 23/0885  
215/12.1
- 5,477,620 A \* 12/1995 Barnett ..... B25H 7/04  
33/644
- 5,915,580 A \* 6/1999 Melk ..... B65D 23/08  
215/386
- 5,924,591 A \* 7/1999 Contos ..... A21B 3/15  
220/23.8
- 6,055,901 A \* 5/2000 Gantos ..... A47J 36/18  
126/369
- 6,286,708 B1 \* 9/2001 Scheibmeir ..... A21B 3/13  
220/573.1

(Continued)

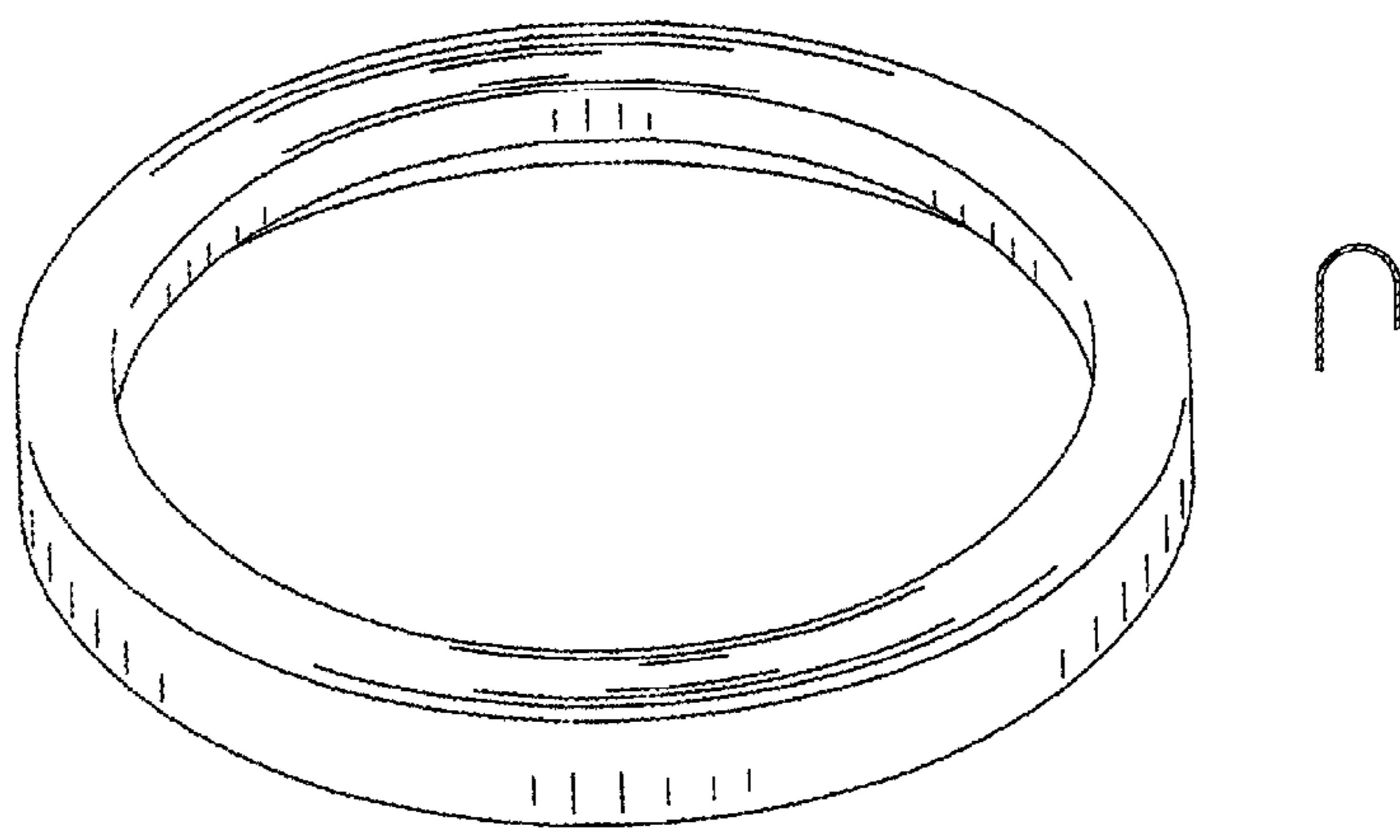
*Primary Examiner* — Ricky Pham  
(74) *Attorney, Agent, or Firm* — Dennis L. Thomte; Thomte Patent Law Office LLC

(57) **CLAIM**  
The ornamental design for a pizza ring, as shown and described.

**DESCRIPTION**

FIG. 1 is a perspective view of the pizza ring of this invention; FIG. 2 is a top view of the pizza ring of this invention; FIG. 3 is a bottom view of the pizza ring of this invention; FIG. 4 is a typical side view of the pizza ring of this invention; and, FIG. 5 is a sectional view of the pizza ring of this invention as seen on lines 5-5 of FIG. 2.

**1 Claim, 2 Drawing Sheets**



(56)

**References Cited**

U.S. PATENT DOCUMENTS

D486,356 S \* 2/2004 Hoff ..... D7/409  
D526,160 S \* 8/2006 Sesona ..... D7/323  
D542,091 S \* 5/2007 Hoff ..... D7/409  
D568,093 S \* 5/2008 Hocutt ..... D7/356

D628,848 S \* 12/2010 Junkins ..... D7/354  
D652,675 S \* 1/2012 Miller ..... D7/402  
D738,673 S \* 9/2015 Sanders ..... D7/354  
2007/0190215 A1 8/2007 Reddy  
2013/0295262 A1 11/2013 Giordano

\* cited by examiner

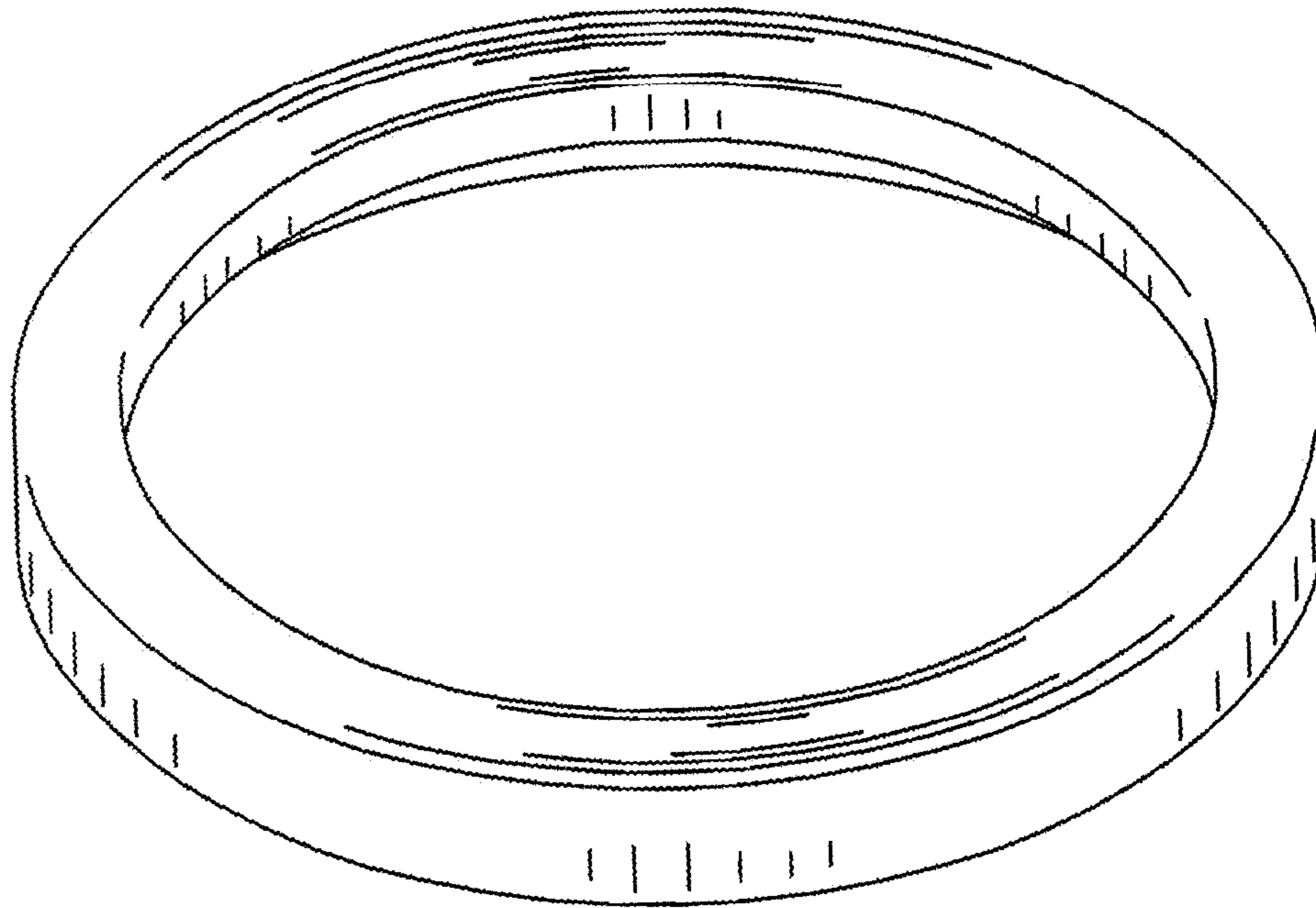


FIG. 1

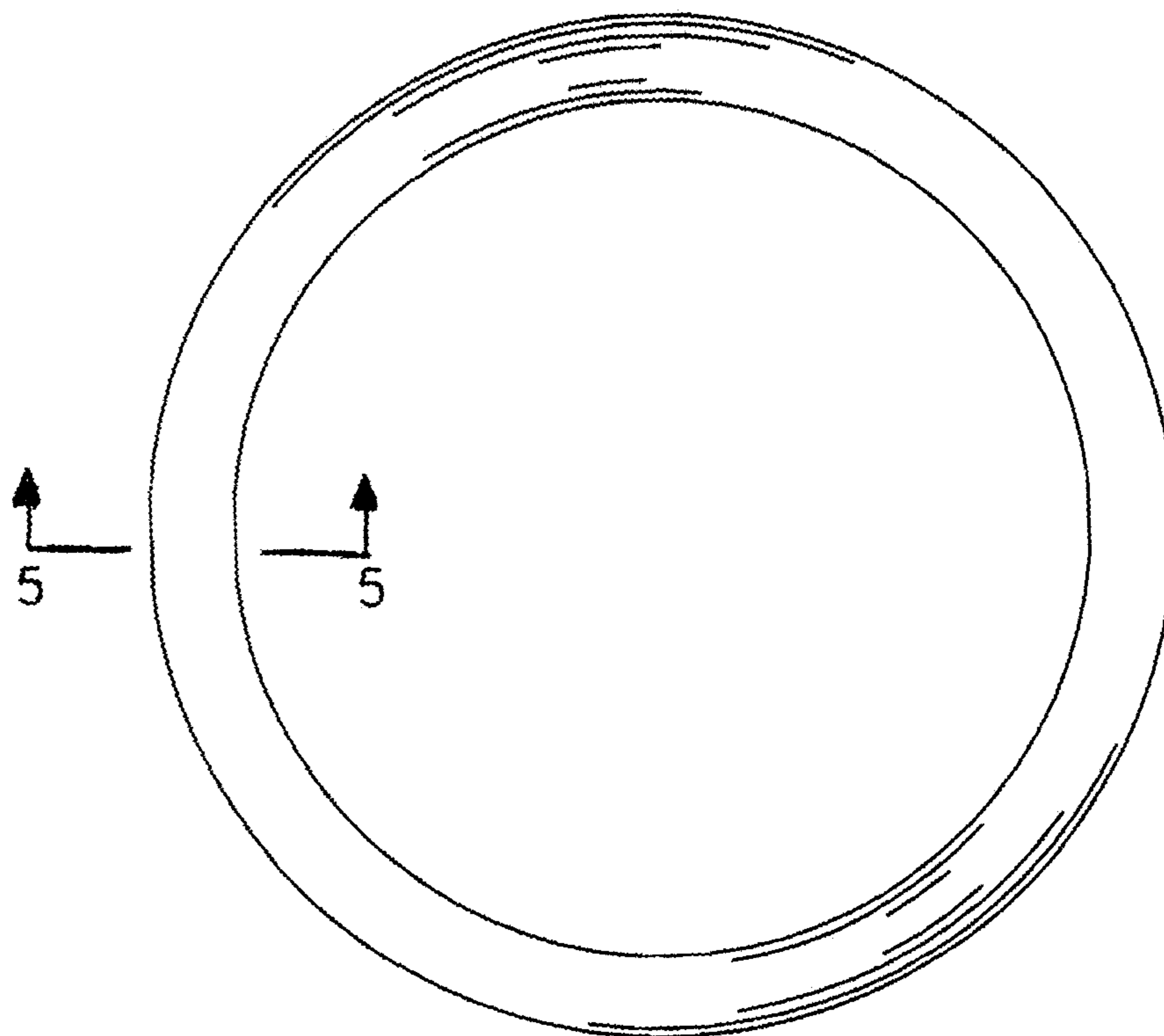


FIG. 2

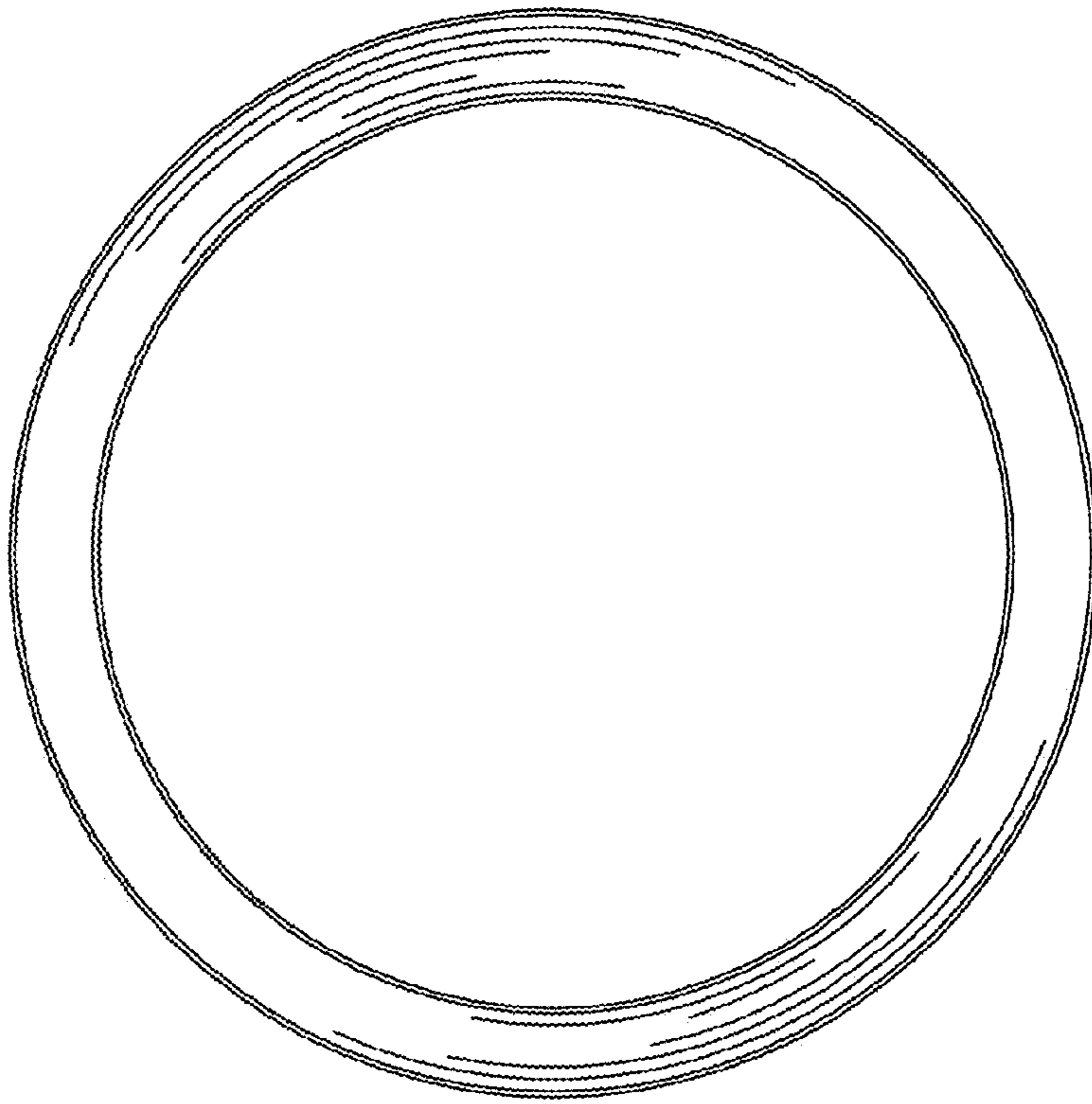


FIG. 3



FIG. 4



FIG. 5