



US00D749887S

(12) **United States Design Patent**
Chang

(10) **Patent No.:** **US D749,887 S**

(45) **Date of Patent:** **** Feb. 23, 2016**

(54) **GRILL**

(71) Applicant: **Tsann Kuen (Zhangzhou) Enterprise Co., Ltd., Zhangzhou (CN)**

(72) Inventor: **Wenyu Chang, Tainan (TW)**

(73) Assignee: **Tsann Kuen (Zhangzhou) Enterprise Co., Ltd., Zhangzhou (CN)**

(**) Term: **14 Years**

(21) Appl. No.: **29/508,952**

(22) Filed: **Nov. 12, 2014**

(30) **Foreign Application Priority Data**

Aug. 25, 2014 (CN) 2014 3 0305924

(51) **LOC (10) Cl.** **07-02**

(52) **U.S. Cl.**
USPC **D7/352; D7/362; D7/363**

(58) **Field of Classification Search**
USPC D7/323, 328-330, 337, 347, 352-364,
D7/367, 402, 409-411

CPC A21B 5/023; A47J 27/60; A47J 27/62;
A47J 37/04; A47J 37/06; A47J 37/067;
A47J 37/0605; A47J 37/0611; A47J 37/0623;
A47J 37/0629; A47J 37/0676; A47J 2037/06;
A47J 2037/0611; F24C 15/10; F24C 15/102;
H05B 6/02; H05B 6/062

See application file for complete search history.

(56) **References Cited**

U.S. PATENT DOCUMENTS

D299,609 S * 1/1989 Madl D7/352
D309,844 S * 8/1990 Storsberg D7/352

D411,937 S * 7/1999 Siegler D7/352
D419,823 S * 2/2000 Choi D7/352
D522,306 S * 6/2006 Wilgus D7/337
D530,143 S * 10/2006 Leibson D7/352
D543,410 S * 5/2007 Cohen D7/352
D586,174 S * 2/2009 Averty D7/352
D600,065 S * 9/2009 Tienor D7/352
D602,732 S * 10/2009 Busse D7/352
D677,513 S * 3/2013 Blacken D7/352
D706,569 S * 6/2014 Fung D7/352
D707,075 S * 6/2014 Fung D7/352

OTHER PUBLICATIONS

Advertisement brochure for device in present application, distributed starting on Apr. 2014.

Foreign application filed in DE Office for Harmonization in the Internal Market, published on Nov. 29, 2013.

* cited by examiner

Primary Examiner — Ricky Pham

(74) *Attorney, Agent, or Firm* — Wang Law Firm, Inc.

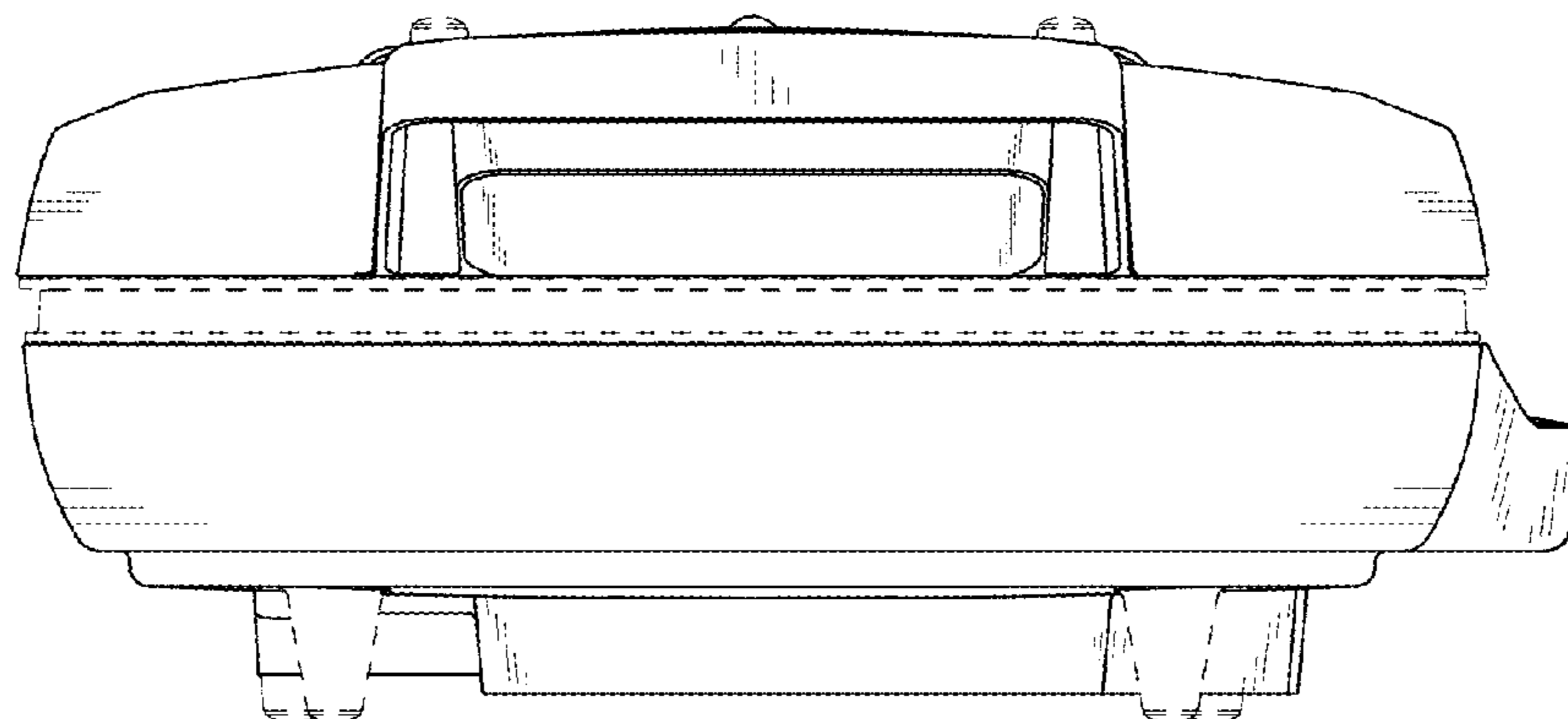
(57) **CLAIM**

The ornamental design for a grill, as shown and described.

DESCRIPTION

FIG. 1 is a front view thereof;
FIG. 2 is a rear view thereof;
FIG. 3 is a left side view thereof;
FIG. 4 is a right side view thereof;
FIG. 5 is a top plan view thereof;
FIG. 6 is a bottom plan view thereof; and,
FIG. 7 is a perspective view of a grill showing my new design.
The broken line showing in Figures is for illustrative purposes only and forms no part of the claimed design.

1 Claim, 7 Drawing Sheets



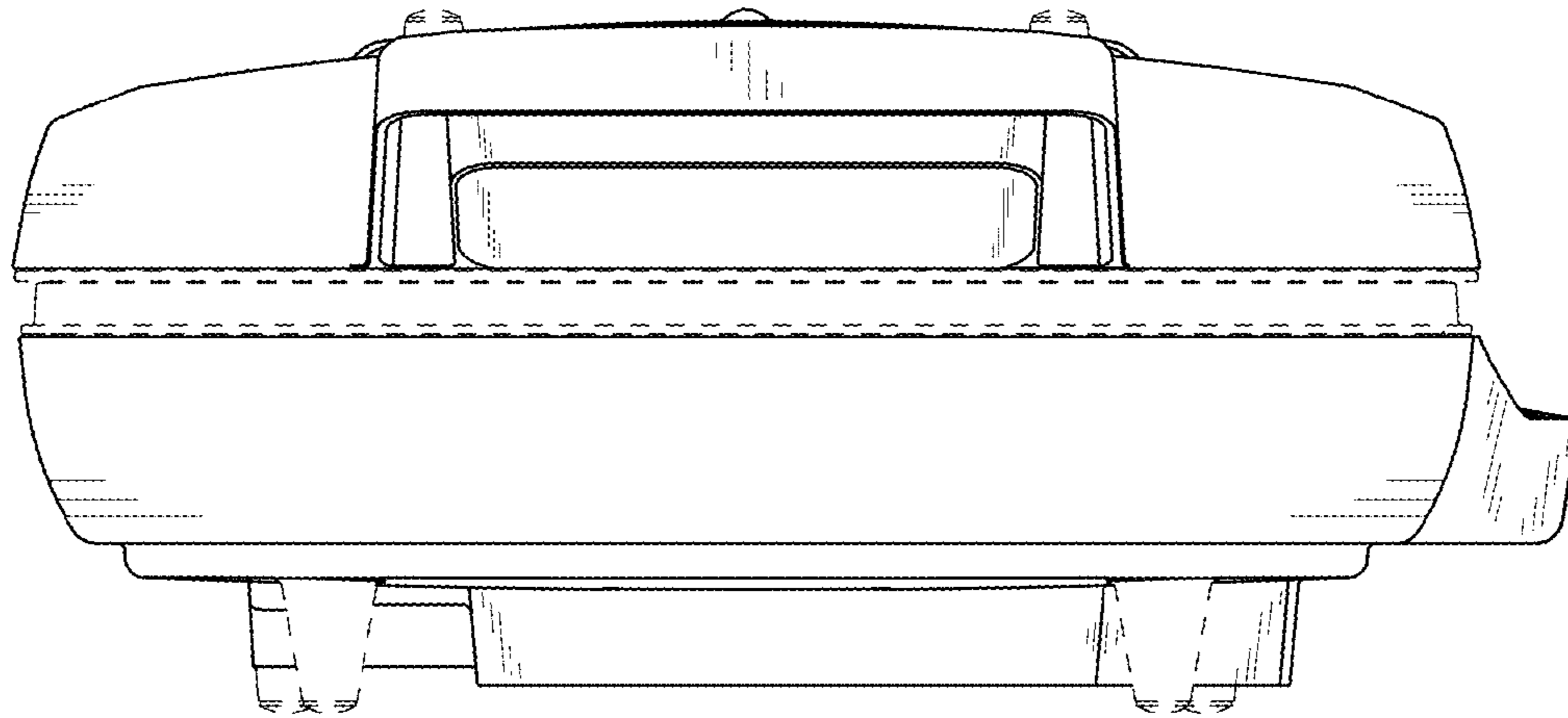


FIG. 1

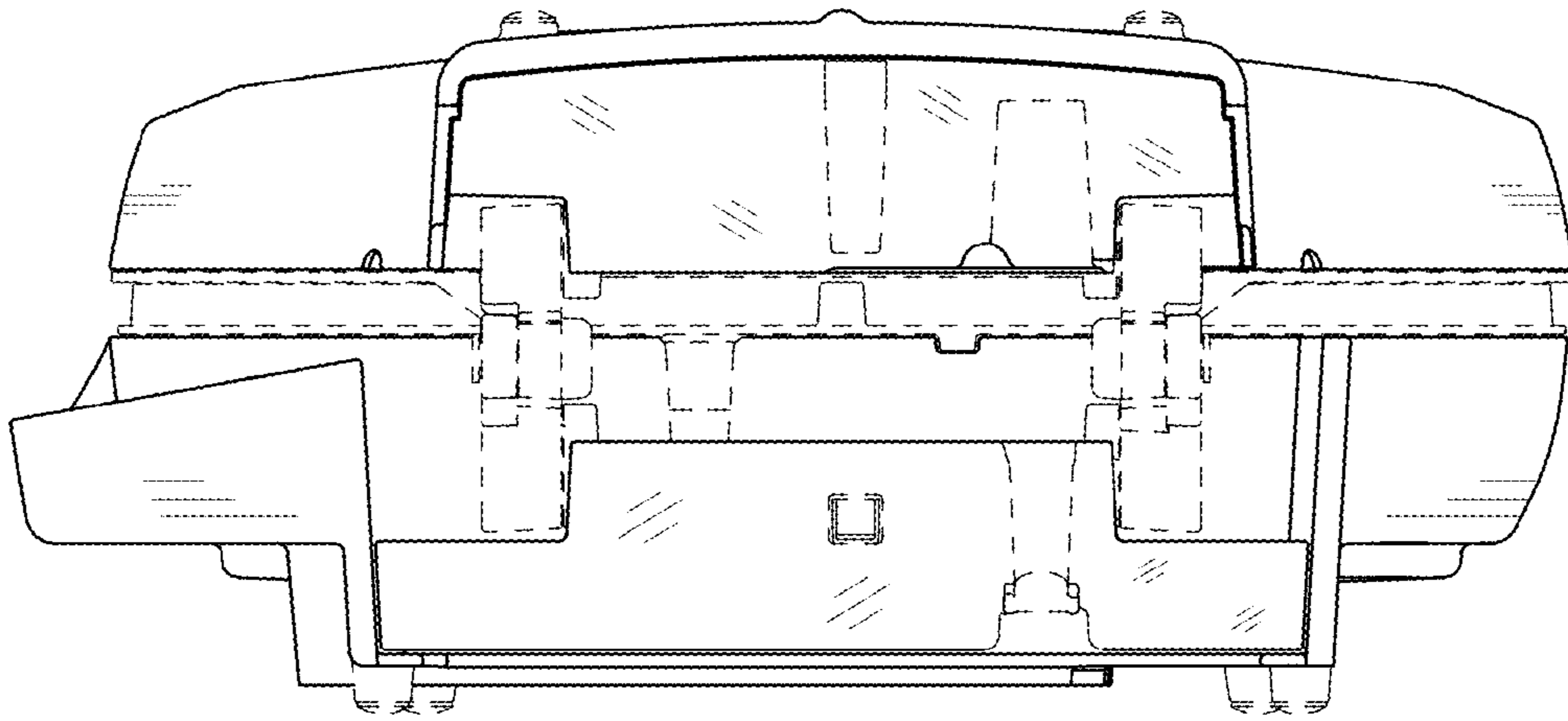


FIG. 2

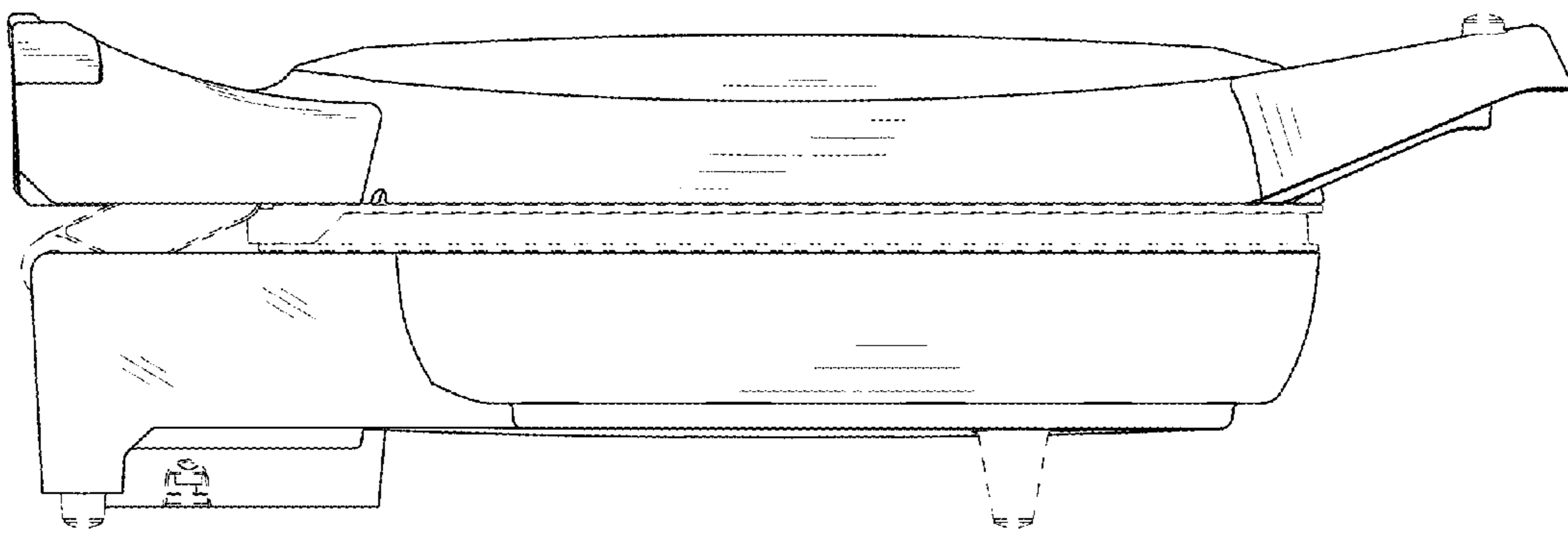


FIG. 3

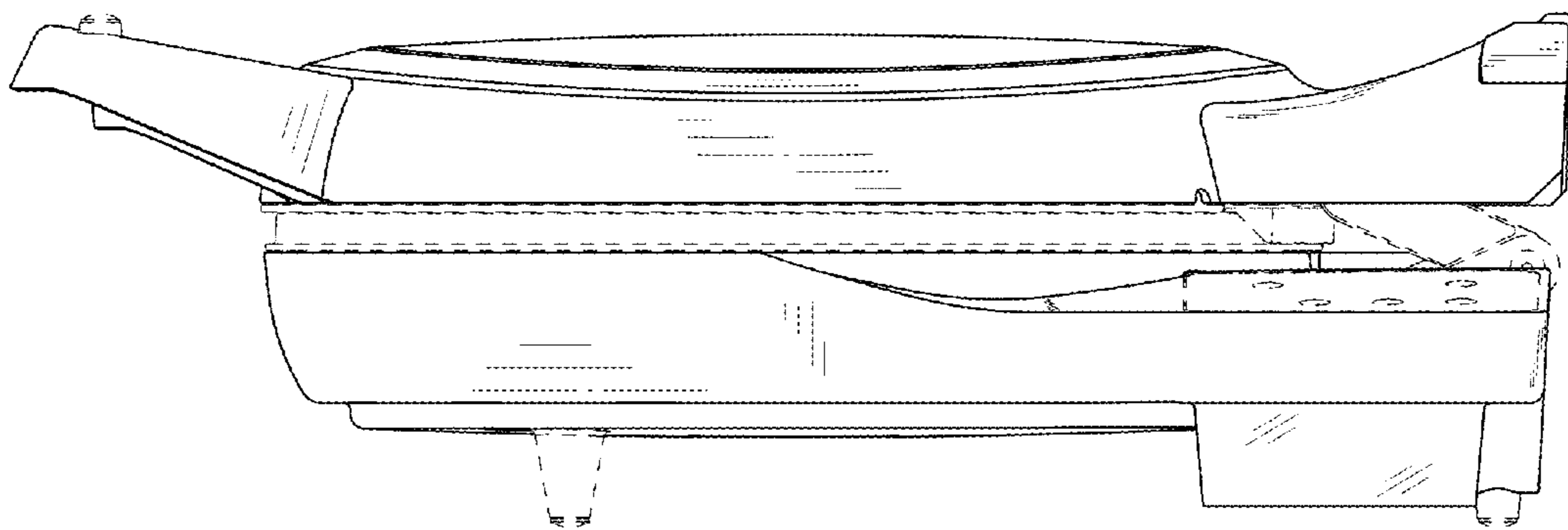


FIG. 4

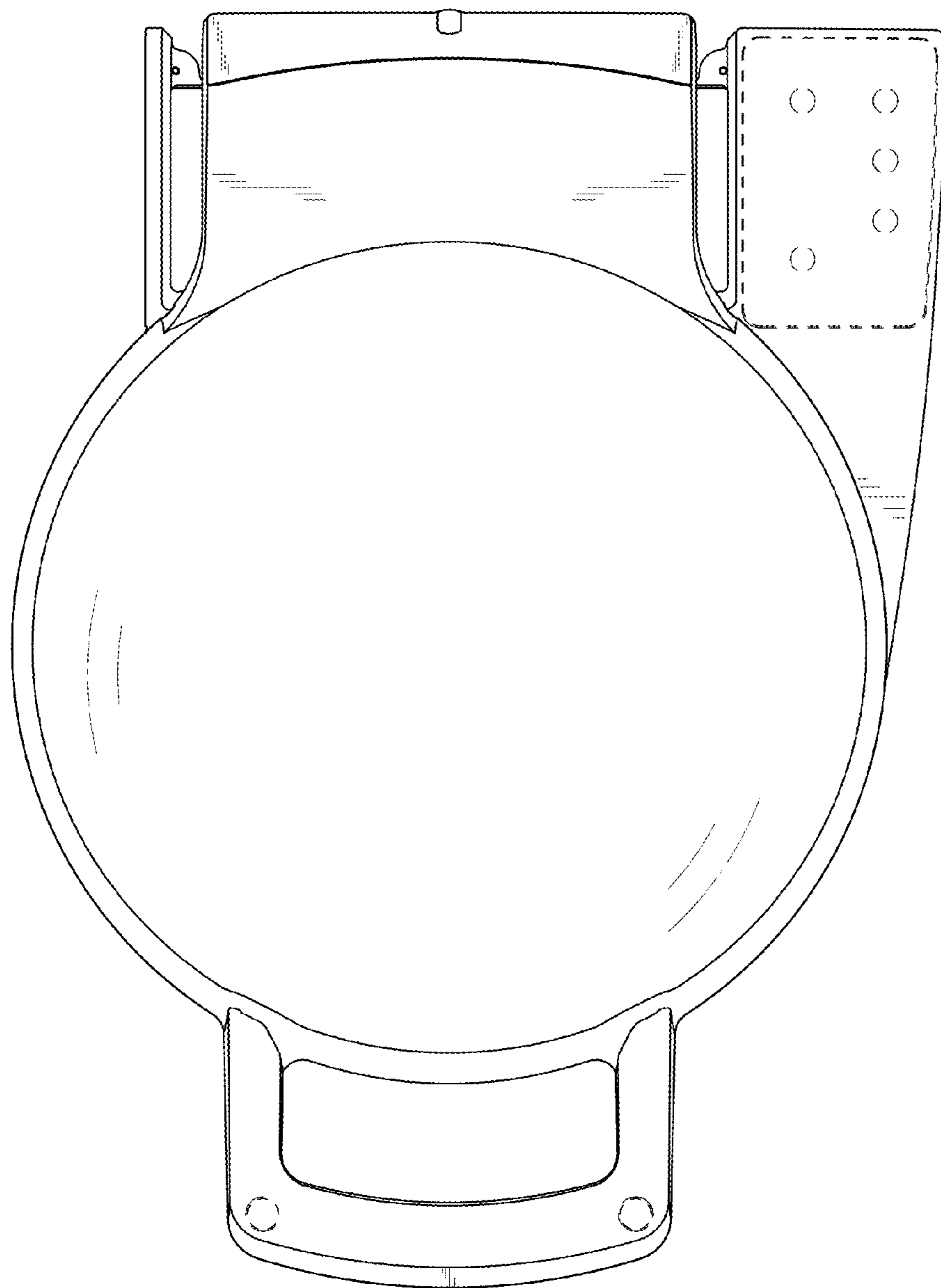


FIG. 5

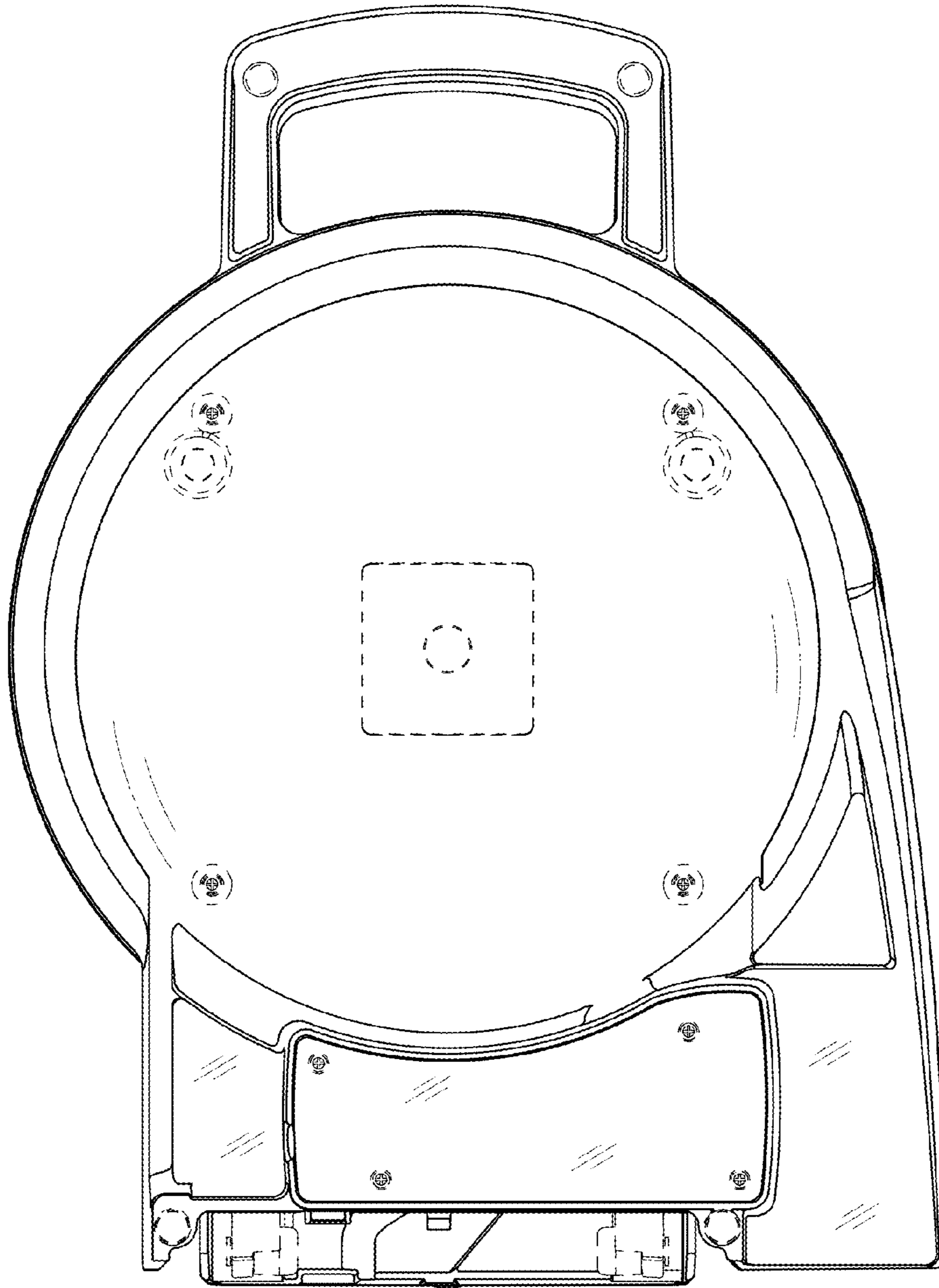


FIG. 6

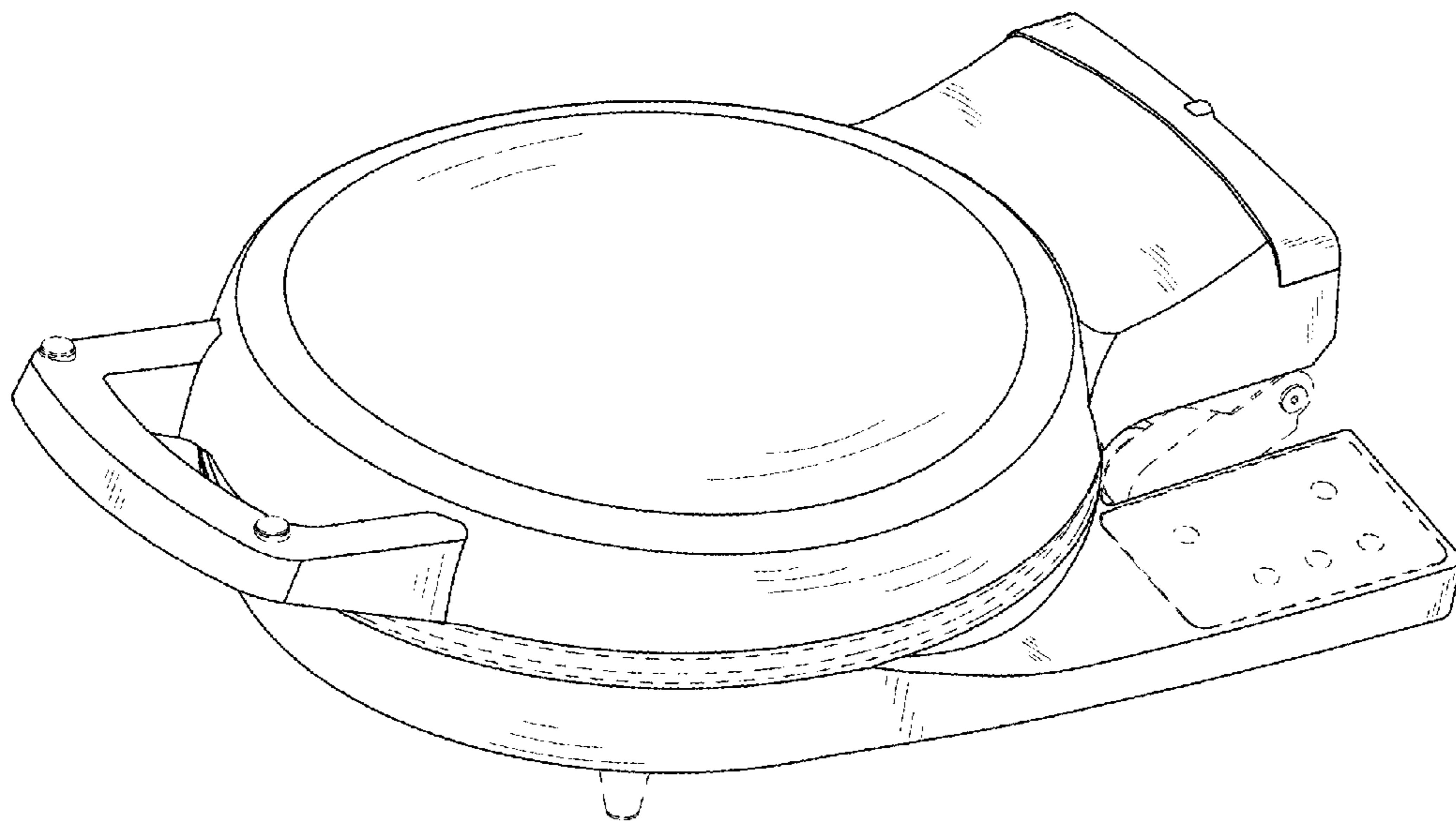


FIG. 7