



US00D749886S

(12) **United States Design Patent**  
**Prats**

(10) **Patent No.:** **US D749,886 S**

(45) **Date of Patent:** **\*\* Feb. 23, 2016**

(54) **SEE-THROUGH TOASTER**

(71) Applicant: **Jorge Prats**, River Edge, NJ (US)

(72) Inventor: **Jorge Prats**, River Edge, NJ (US)

(73) Assignee: **Tristar Products, Inc.**, Wyomissing, PA (US)

(\*\*) Term: **14 Years**

(21) Appl. No.: **29/461,183**

(22) Filed: **Jul. 19, 2013**

(51) **LOC (10) CI.** ..... **07-02**

(52) **U.S. Cl.**  
USPC ..... **D7/330**

(58) **Field of Classification Search**

USPC ..... D7/323, 328-330, 390; 99/326-327,  
99/331-332, 357, 372, 375, 385-402;  
219/388, 405, 450.1, 532; 426/523  
CPC ..... A21B 2/00; A47J 37/00; A47J 37/06;  
A47J 37/0611; A47J 37/08; A47J 37/0807;  
A47J 37/0814; A47J 37/0835; A47J 37/0842;  
A47J 37/085; A47J 37/0864; A47J 37/0878;  
A47J 37/0885; A47J 37/0892; F24C 15/10;  
F24C 15/102

See application file for complete search history.

(56) **References Cited**

**U.S. PATENT DOCUMENTS**

3,336,858 A \* 8/1967 Maindonald ..... 99/391  
D314,686 S \* 2/1991 Hantz et al. .... D7/329  
D347,546 S \* 6/1994 Pawlowicz ..... D7/330  
D469,297 S \* 1/2003 Bouhuys et al. .... D7/330

6,657,168 B1 \* 12/2003 Lazzer ..... 219/405  
D570,638 S \* 6/2008 Barnes ..... D7/329  
D583,184 S \* 12/2008 DeLong ..... D7/329  
D599,607 S \* 9/2009 Verdun ..... D7/330  
D603,649 S \* 11/2009 Chung et al. .... D7/330  
D642,854 S \* 8/2011 Kauer ..... D7/330  
D704,496 S \* 5/2014 Coppersmith ..... D7/330  
2001/0016222 A1 \* 8/2001 Tomsich et al. .... 426/523

\* cited by examiner

*Primary Examiner* — Ricky Pham

(74) *Attorney, Agent, or Firm* — Leo Stanger

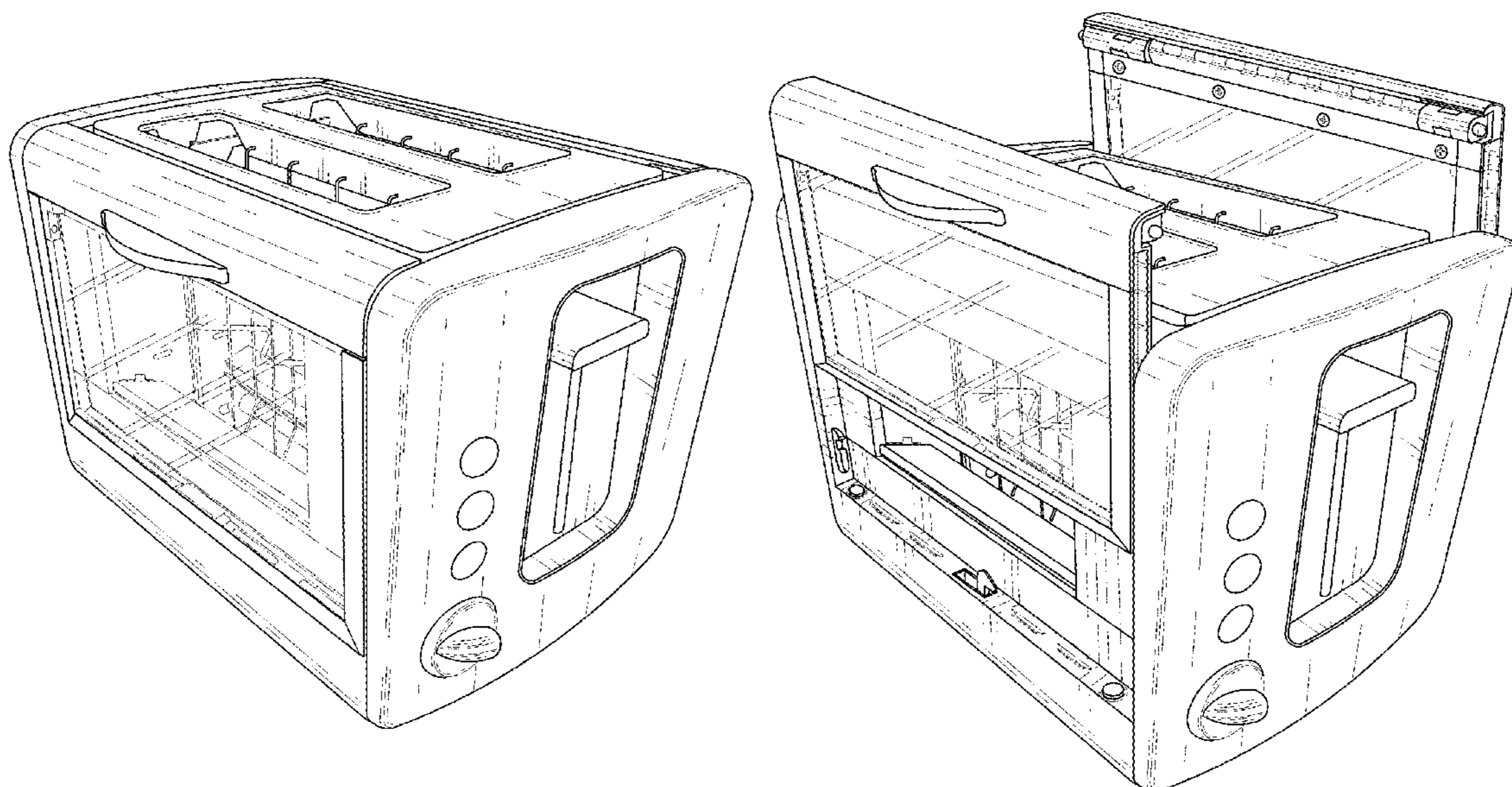
(57) **CLAIM**

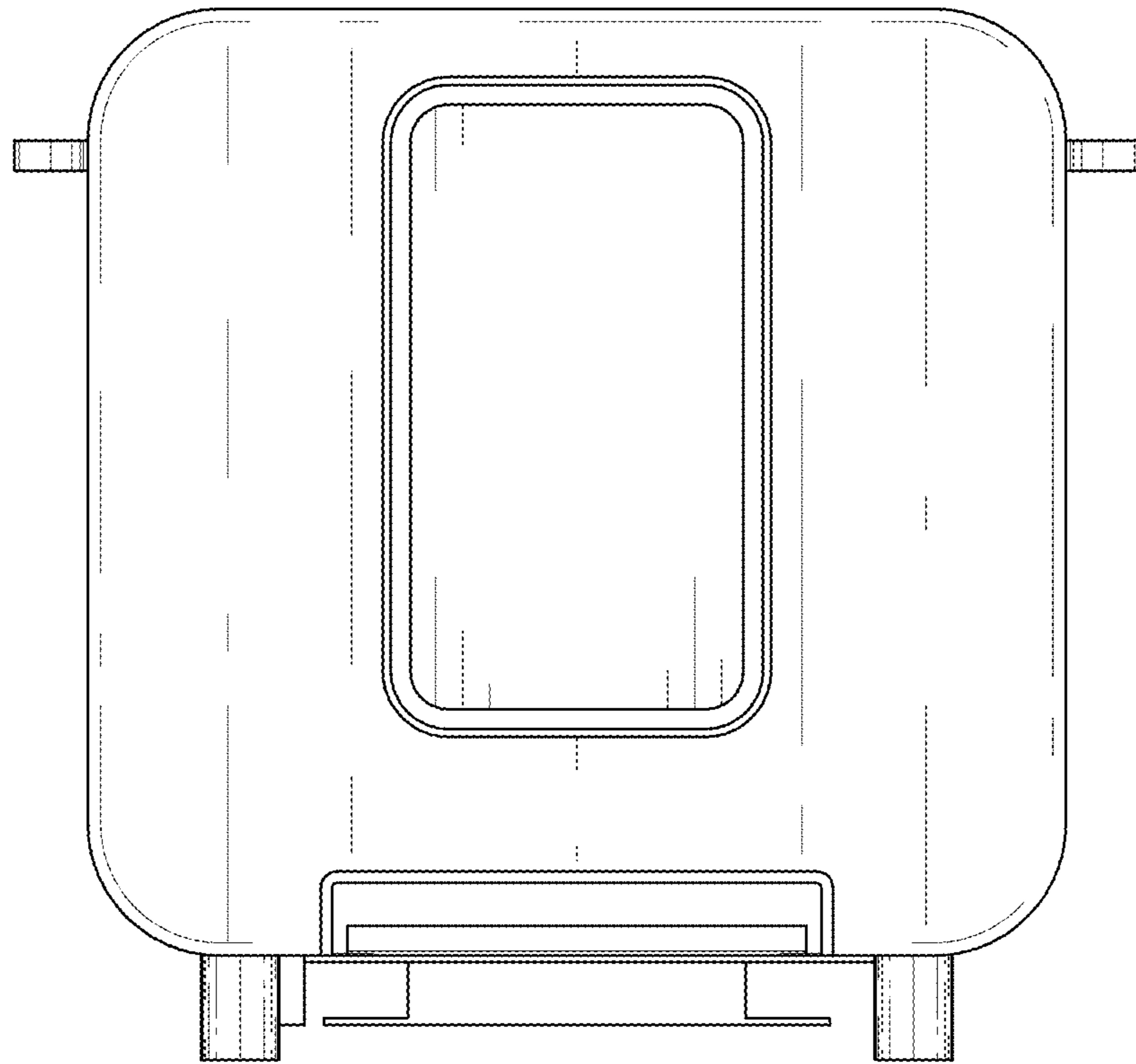
The ornamental design for a see-through toaster, as shown and described.

**DESCRIPTION**

FIG. 1 is a left side elevational view of the see-through toaster showing my design;  
FIG. 2 is a right side elevational view of the toaster of FIG. 1;  
FIG. 3 is a top plan view of the toaster of FIG. 1;  
FIG. 4 is a bottom plan view of the toaster of FIG. 1;  
FIG. 5 is a front elevational view of the toaster of FIG. 1;  
FIG. 6 is a rear elevational view of the toaster of FIG. 1;  
FIG. 7 is a right side perspective view of the toaster of FIG. 1;  
FIG. 8 is a bottom perspective view of the toaster of FIG. 1;  
and,  
FIG. 9 is a right side perspective view of the toaster of FIG. 1, wherein the removable side panels are elevated upward to allow for removal of the side panels.  
The broken lines shown in the drawings are for illustrative purposes only and form no part of the claimed design.

**1 Claim, 9 Drawing Sheets**





*FIG. 1*

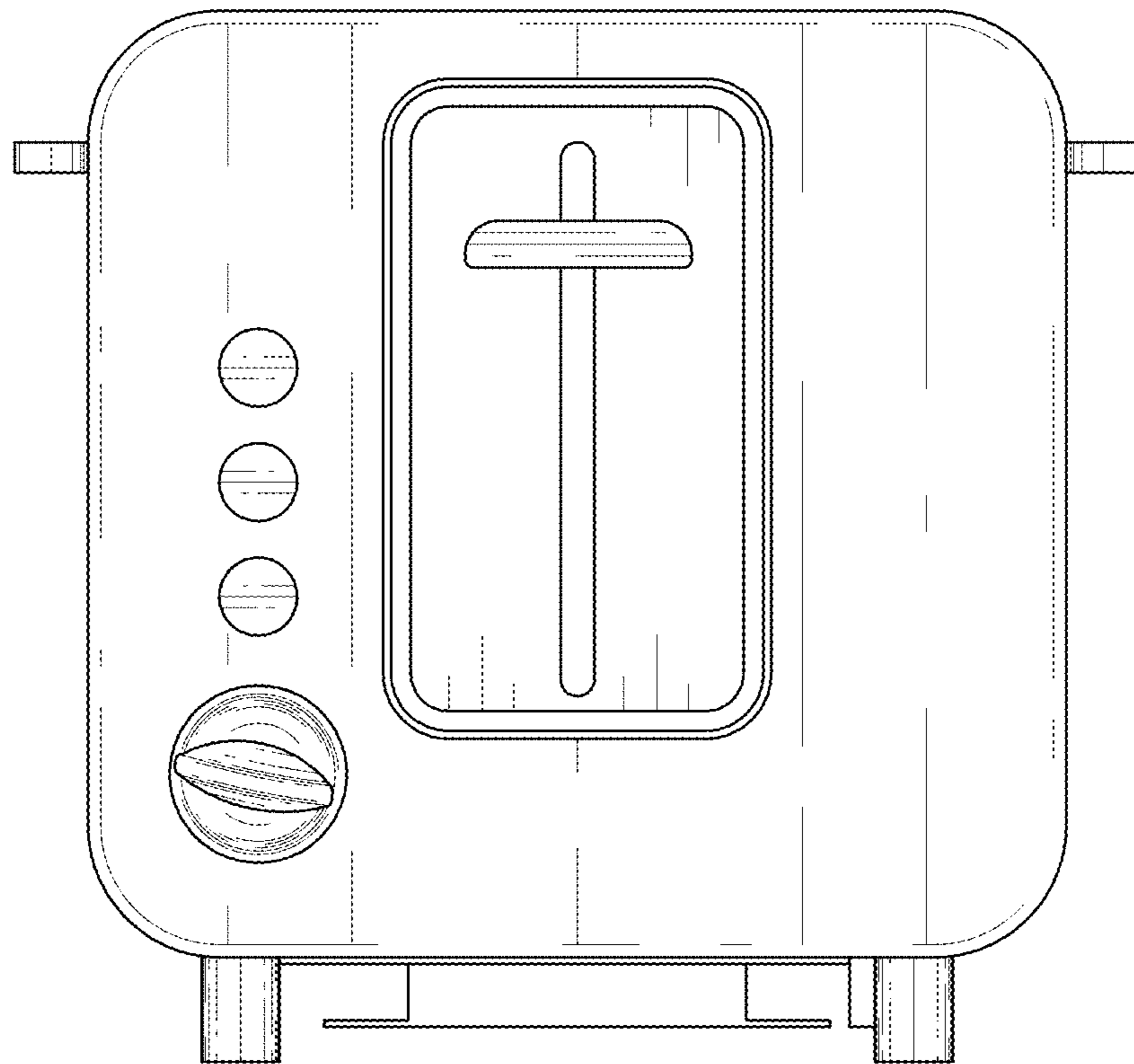


FIG. 2

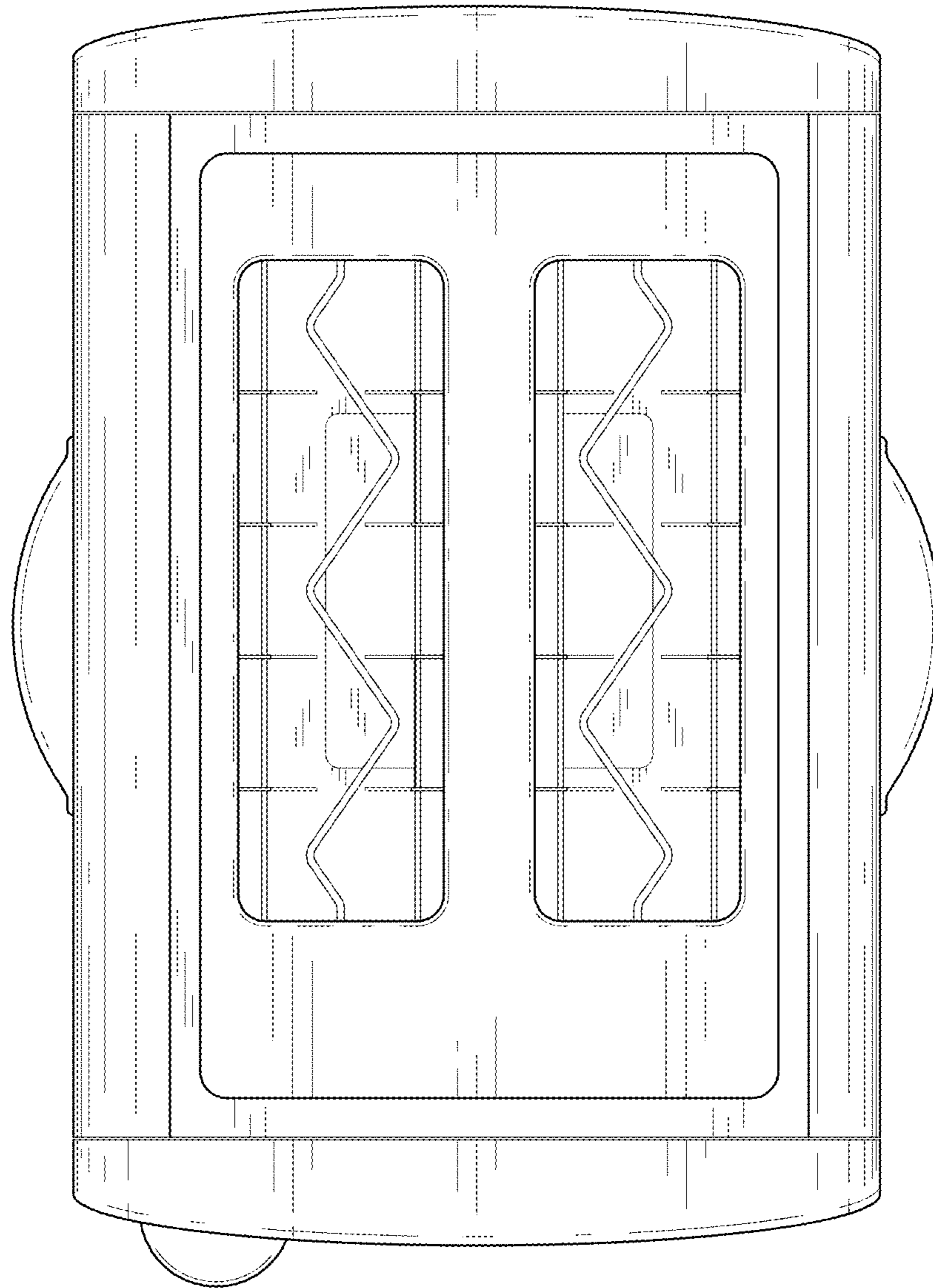


FIG. 3

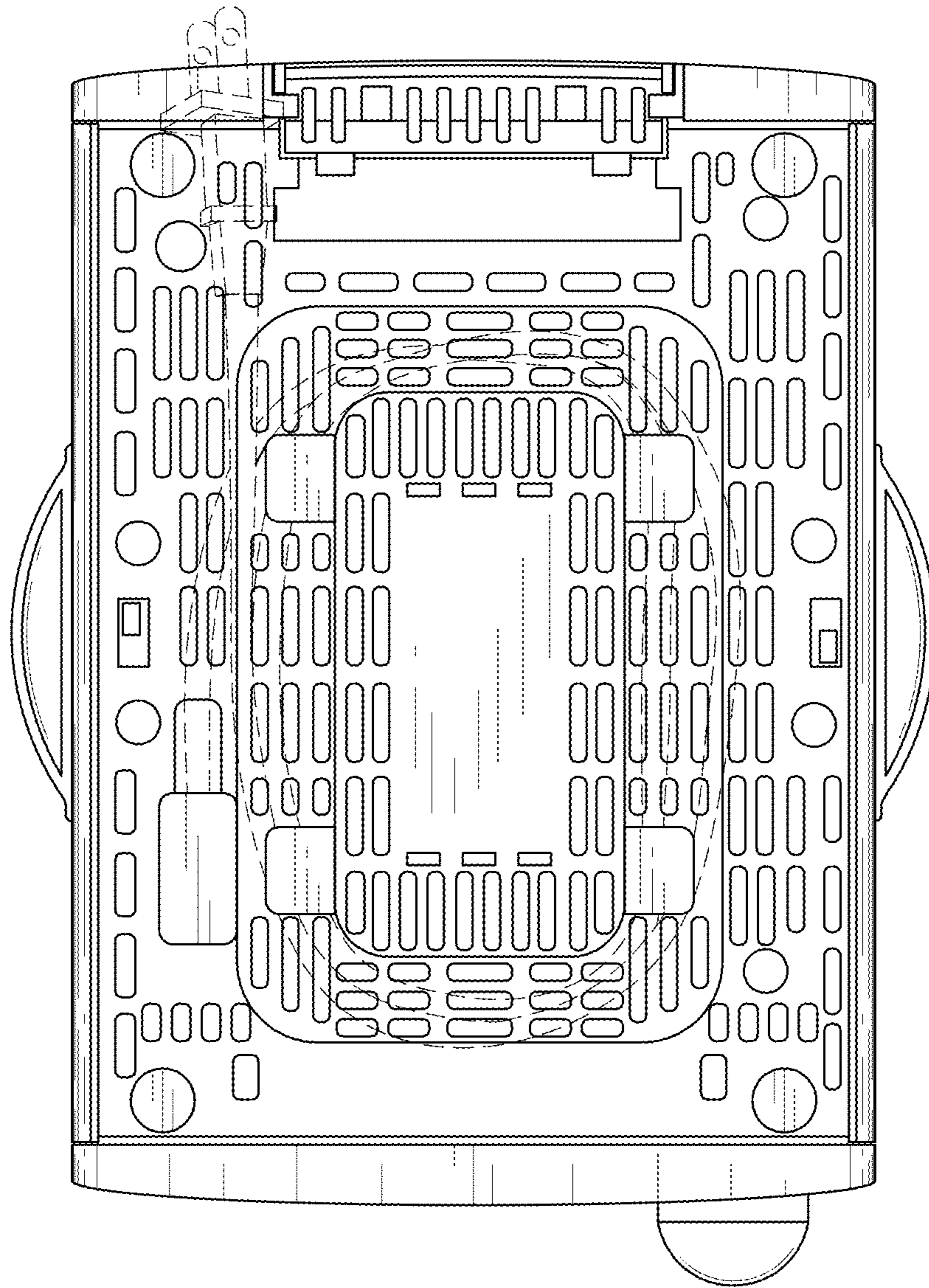


FIG. 4

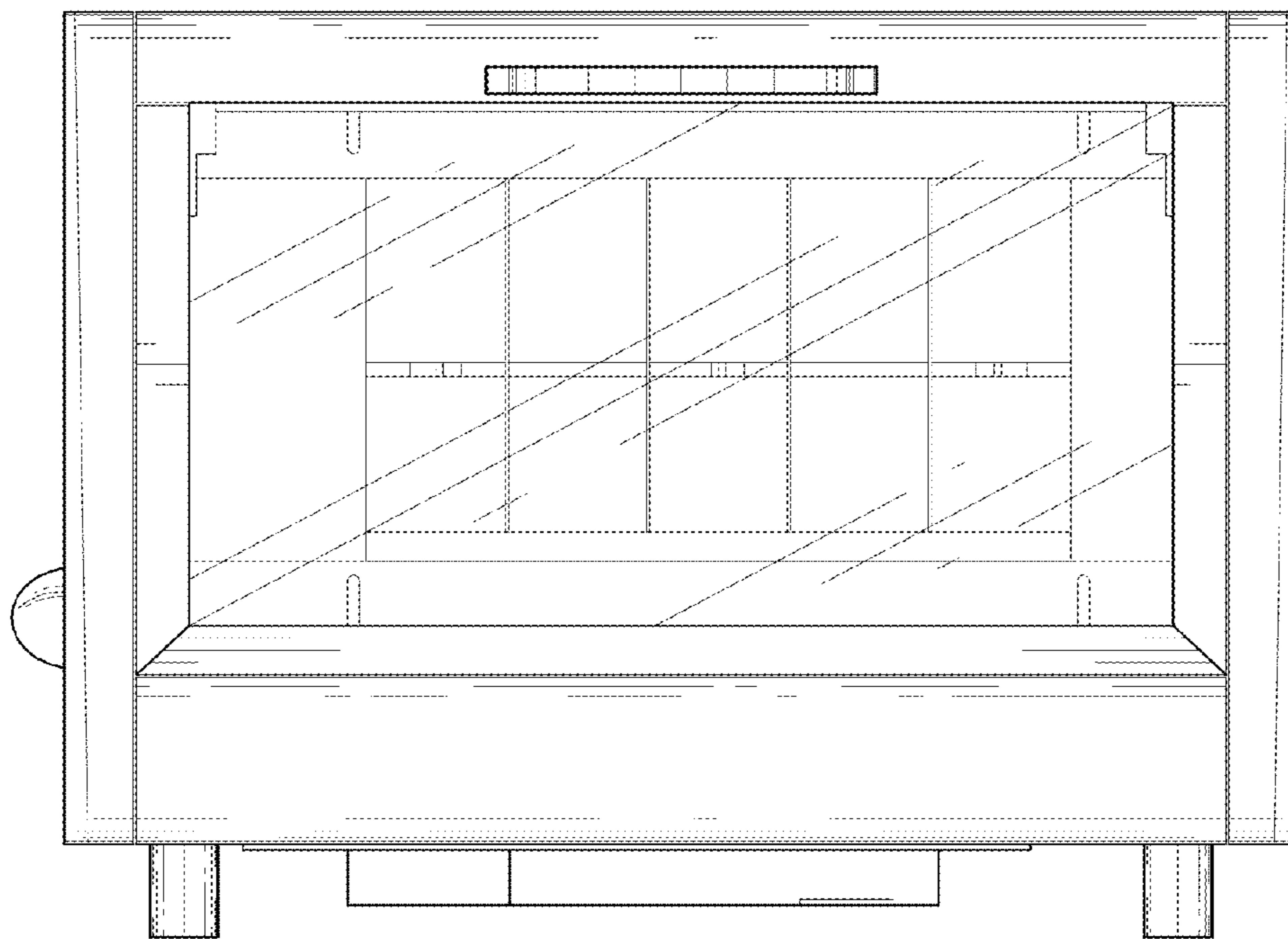


FIG. 5

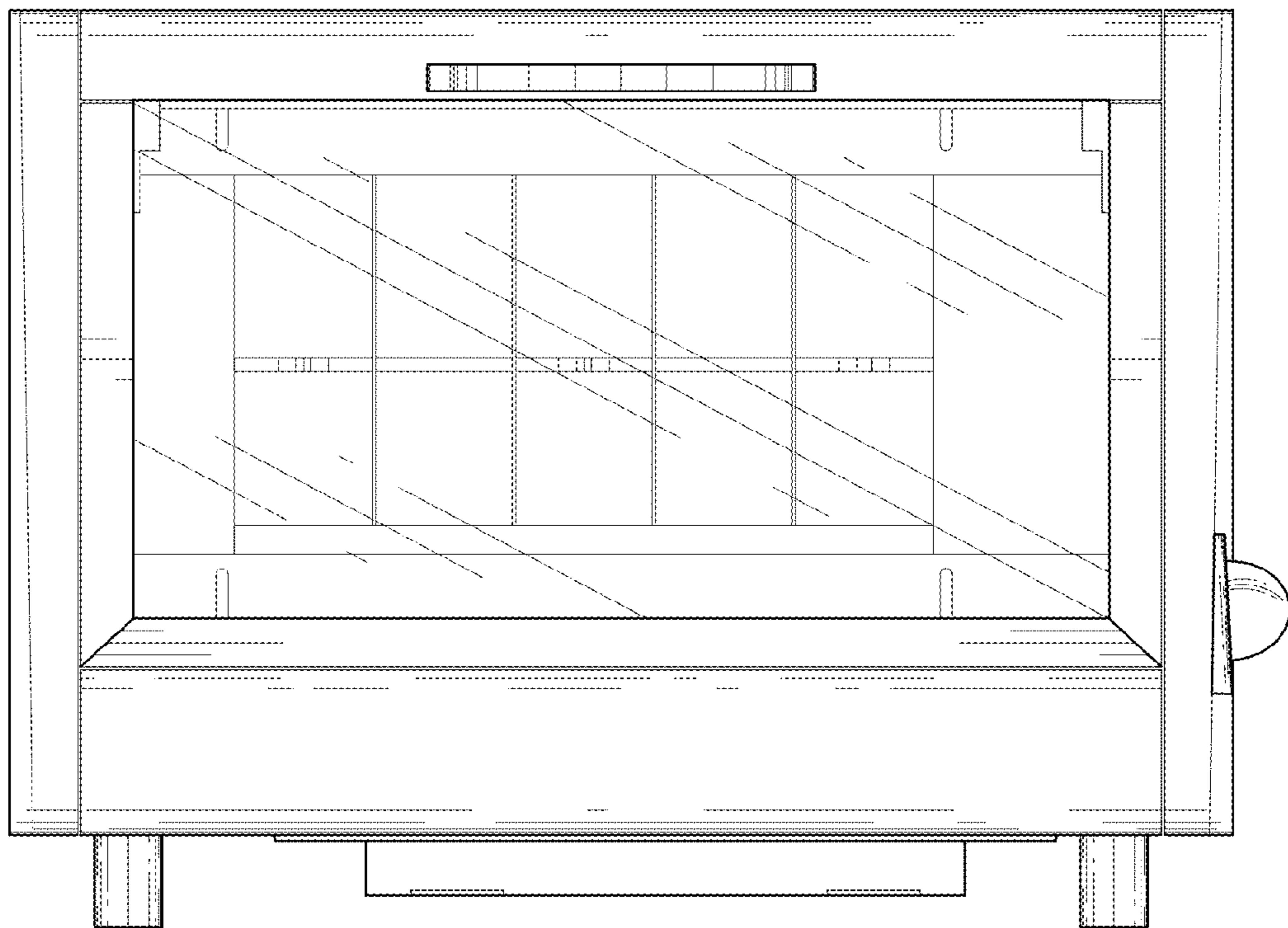


FIG. 6

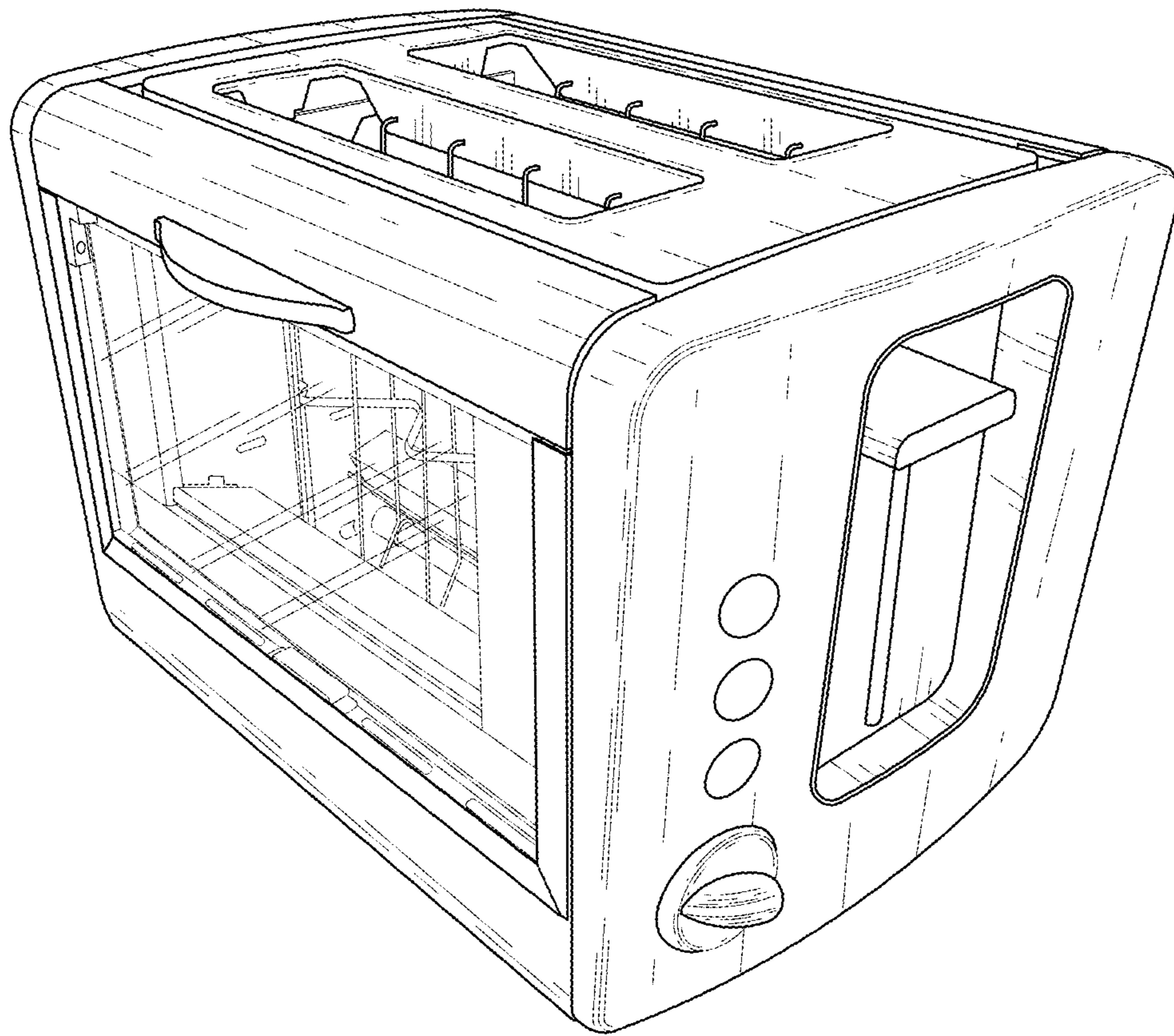


FIG. 7



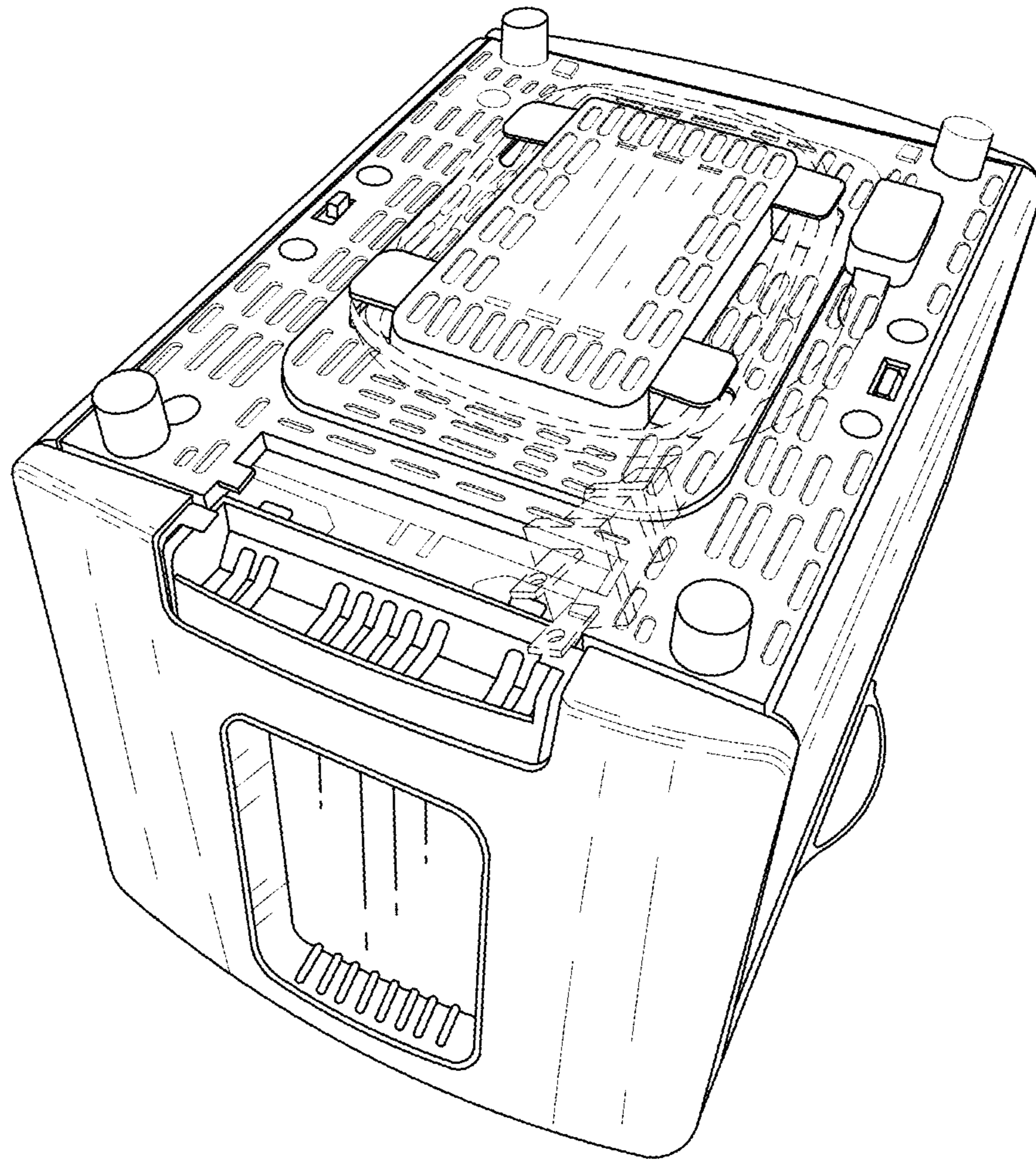


FIG. 8

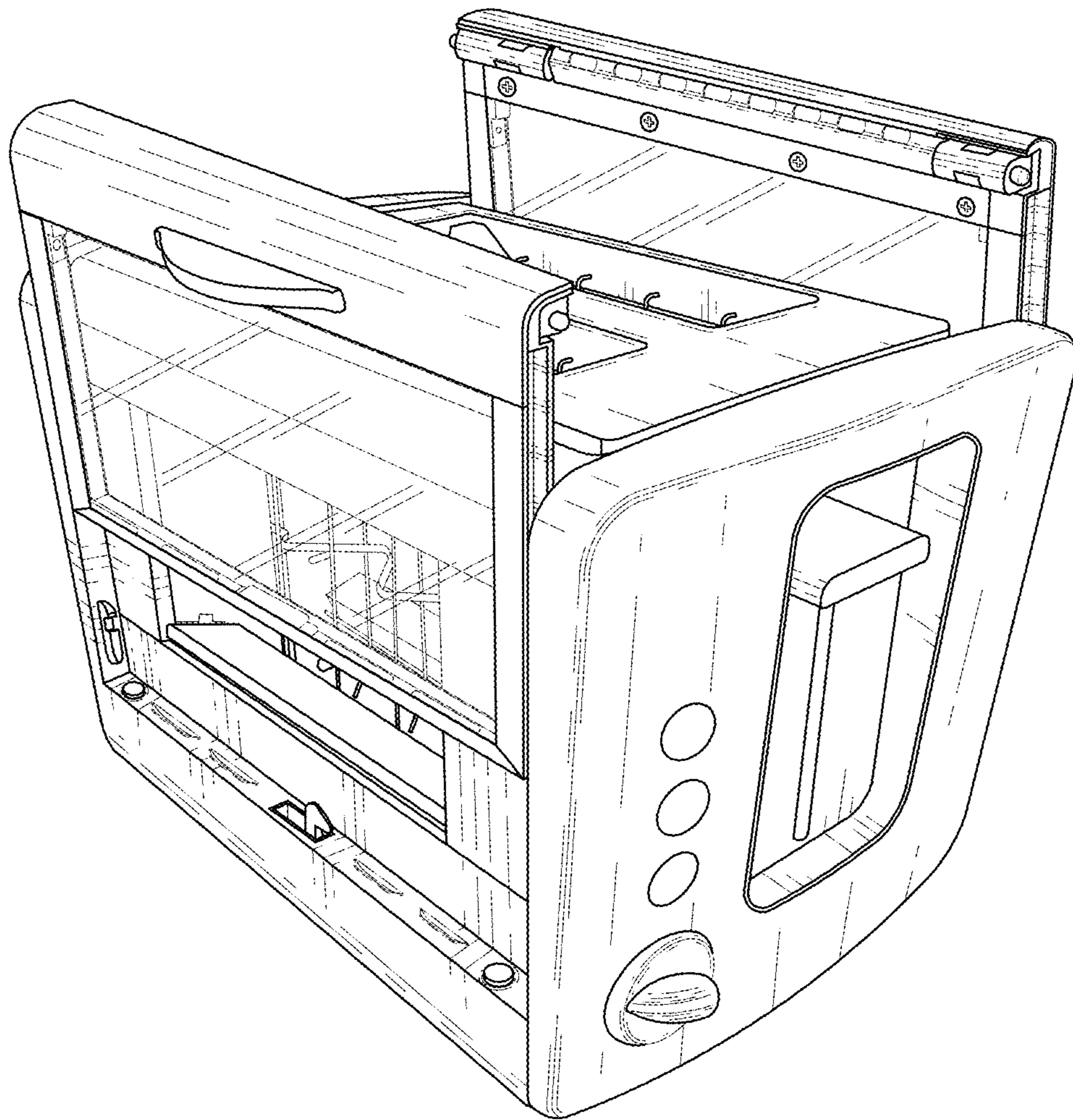


FIG. 9