



US00D749885S

(12) **United States Design Patent**
Kent

(10) **Patent No.:** **US D749,885 S**
(45) **Date of Patent:** **** Feb. 23, 2016**

- (54) **MICRO KETTLE**
- (71) Applicant: **Progressive International Corporation,**
Kent, WA (US)
- (72) Inventor: **Joseph Kent,** Seattle, WA (US)
- (73) Assignee: **PROGRESSIVE INTERNATIONAL**
CORPORATION, Kent, WA (US)
- (**) Term: **14 Years**
- (21) Appl. No.: **29/499,595**
- (22) Filed: **Aug. 15, 2014**
- (51) **LOC (10) Cl.** **07-01**
- (52) **U.S. Cl.**
USPC **D7/318; D7/317**
- (58) **Field of Classification Search**
USPC D7/300, 316-319, 598, 600, 305;
D23/207, 209; 222/144.5; 219/209,
219/731; 99/300, 303, 307; 210/237, 474
CPC B01D 35/027; A47G 19/22; A47G 19/14;
A47G 31/005; A47J 43/44; A47J 31/00;
A47J 36/14; A47J 31/10; C02F 1/003; H04B
10/801
See application file for complete search history.

4,645,910 A	2/1987	Chhatwal	
4,673,925 A	6/1987	Whiteman	
4,692,580 A	9/1987	Bell	
4,721,835 A	1/1988	Welker	
4,735,191 A	4/1988	Boursse et al.	
D377,132 S *	1/1997	Jørgensen	D7/318
D386,351 S *	11/1997	Joergensen	D7/317
D395,784 S *	7/1998	Michaeli	D7/318
D398,474 S *	9/1998	Wagner	D7/305
D403,200 S *	12/1998	Joergensen	D7/317
D432,205 S *	10/2000	Tien Lin	D23/209
6,164,190 A *	12/2000	Tien Lin	A47J 31/18 99/299
D475,233 S *	6/2003	De Visser	D7/317
D492,879 S *	7/2004	Allemand	D7/317
D513,919 S *	1/2006	Bodum	D7/317
7,038,181 B2	5/2006	Edmark	
D567,007 S *	4/2008	Bodum	D7/317
D595,267 S *	6/2009	Dozoretz	D14/218
D610,860 S *	3/2010	Bodum	D7/317
D613,988 S *	4/2010	Lane	D7/317
D630,882 S *	1/2011	Cohen	D7/317

(Continued)

Primary Examiner — Marianne Pandozzi
(74) Attorney, Agent, or Firm — Lowe Graham Jones PLLC

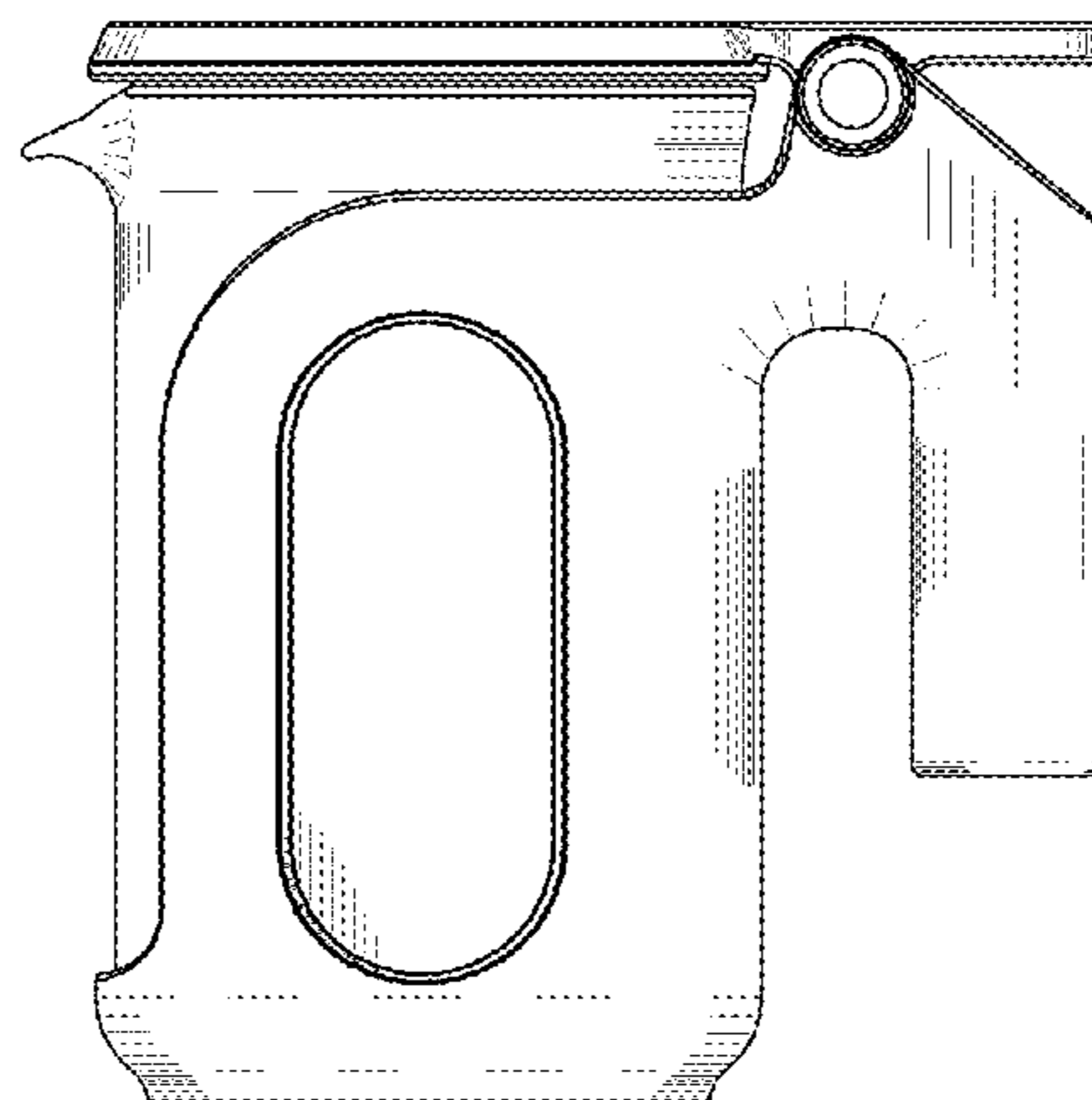
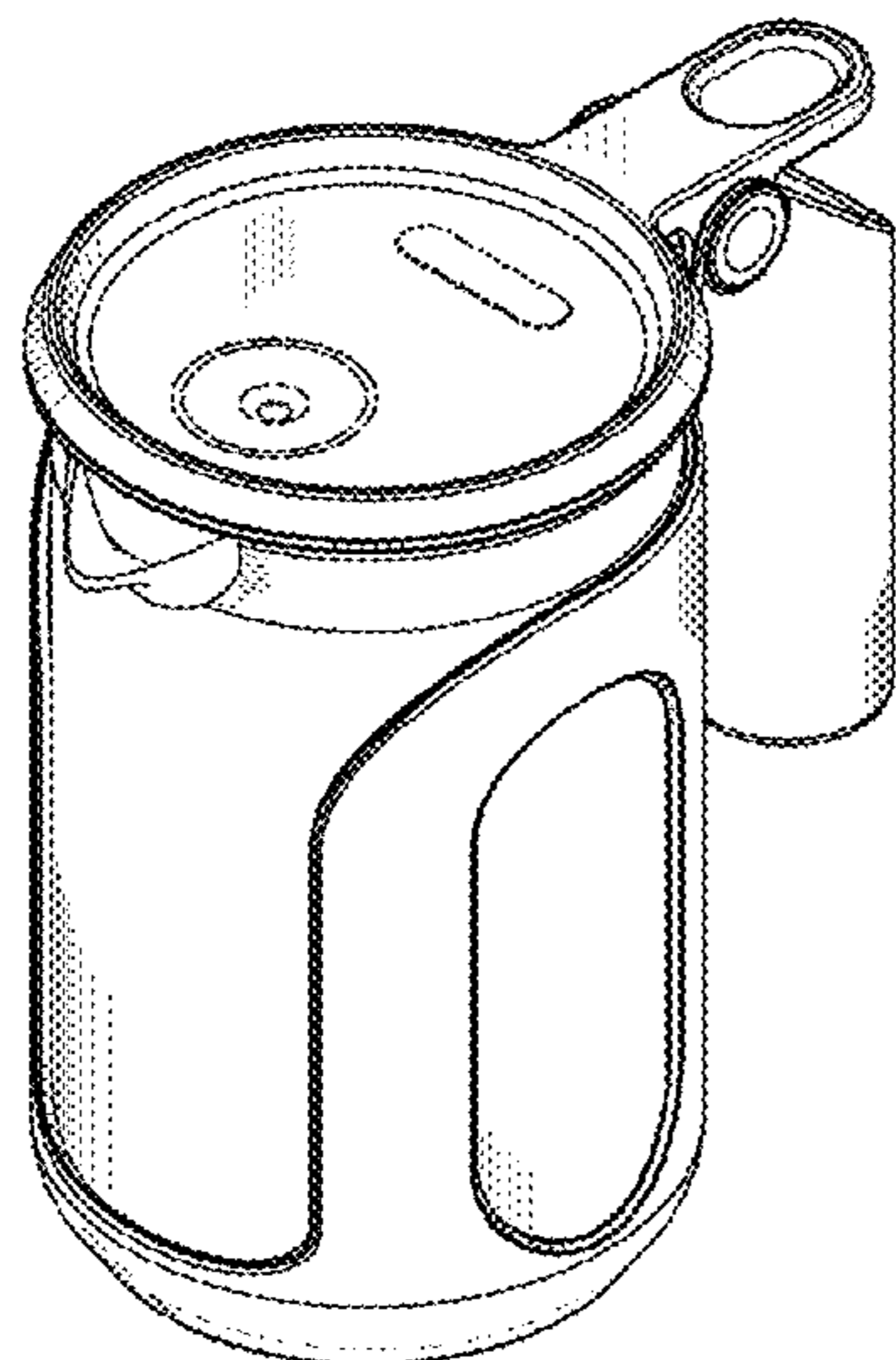
(57) **CLAIM**
I claim the ornamental design for the micro kettle, as shown and described.

DESCRIPTION

FIG. 1 is a perspective view of a micro kettle, showing my new design.
FIG. 2 is a right side view of the micro kettle, the left side view being a mirror image.
FIG. 3 is a rear view of the micro kettle.
FIG. 4 is a front view of the micro kettle.
FIG. 5 is a top view of the micro kettle; and
FIG. 6 is a bottom view of the micro kettle.
The broken lines in the drawings are included for the purpose of illustration and form no part of the claimed design.

1 Claim, 5 Drawing Sheets

- (56) **References Cited**
U.S. PATENT DOCUMENTS
- 957,663 A 5/1910 Emslie
- 1,092,056 A 3/1914 Jennings
- 2,049,321 A 7/1936 Sampson
- 3,326,528 A 6/1967 McIntyre, Jr.
- 3,724,360 A 4/1973 Kliewer et al.
- D258,712 S * 3/1981 Jacobson D7/317
- 4,261,328 A 4/1981 Kirk
- 4,385,585 A 5/1983 Lebowitz
- 4,466,327 A 8/1984 Hinton
- 4,529,089 A 7/1985 Gasbarra et al.
- 4,544,830 A 10/1985 Miller
- 4,642,443 A 2/1987 Jorgensen et al.



(56)

References Cited

U.S. PATENT DOCUMENTS

D652,246 S * 1/2012 Bodum D7/317
D658,925 S * 5/2012 Horimoto D7/317
D680,792 S * 4/2013 Bodum D7/317

D683,175 S * 5/2013 Adams D7/312
D718,566 S * 12/2014 Lu D7/317
D718,567 S * 12/2014 Lu D7/317
D738,669 S * 9/2015 Brook D7/317

* cited by examiner

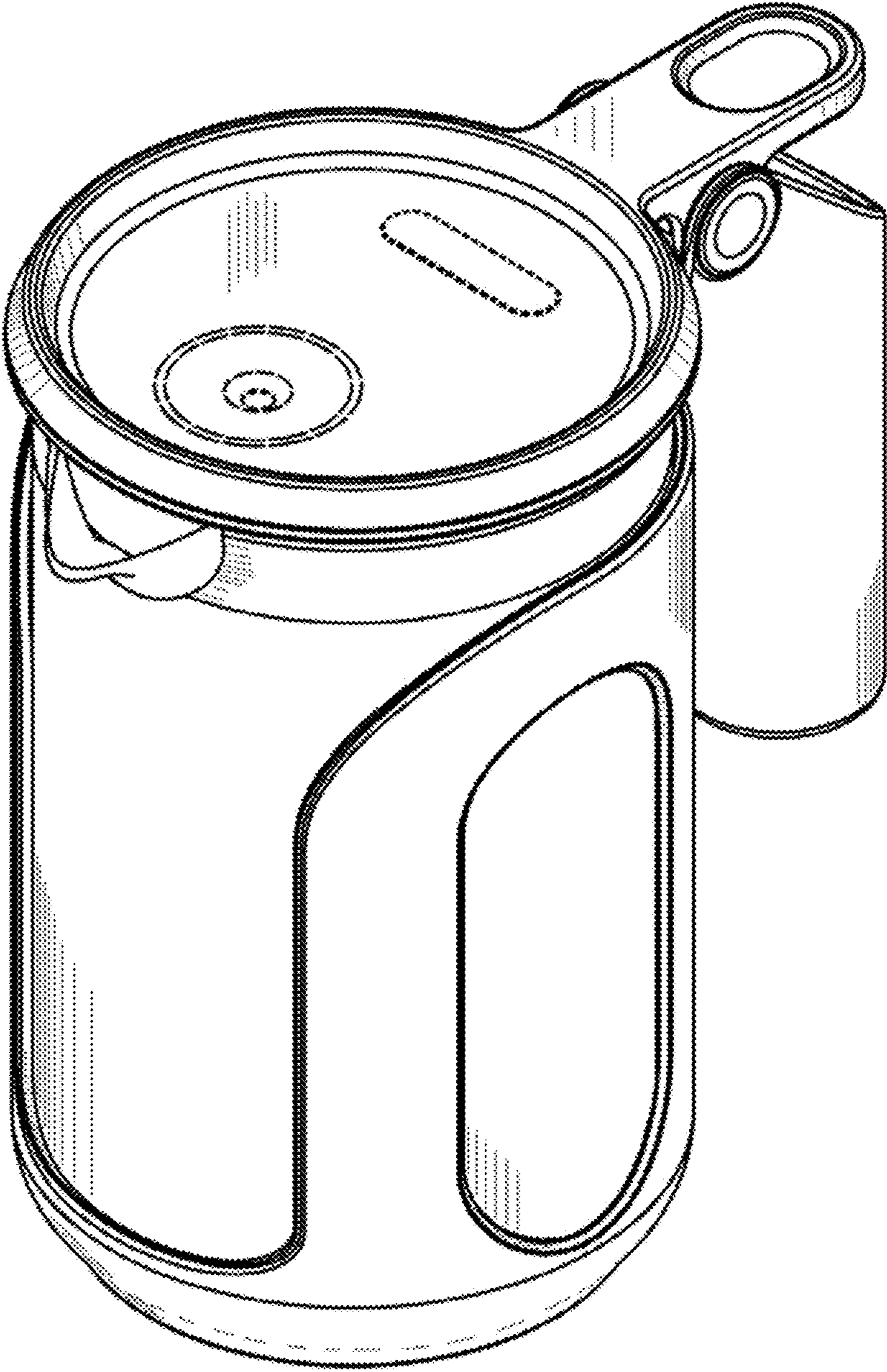


Figure 1

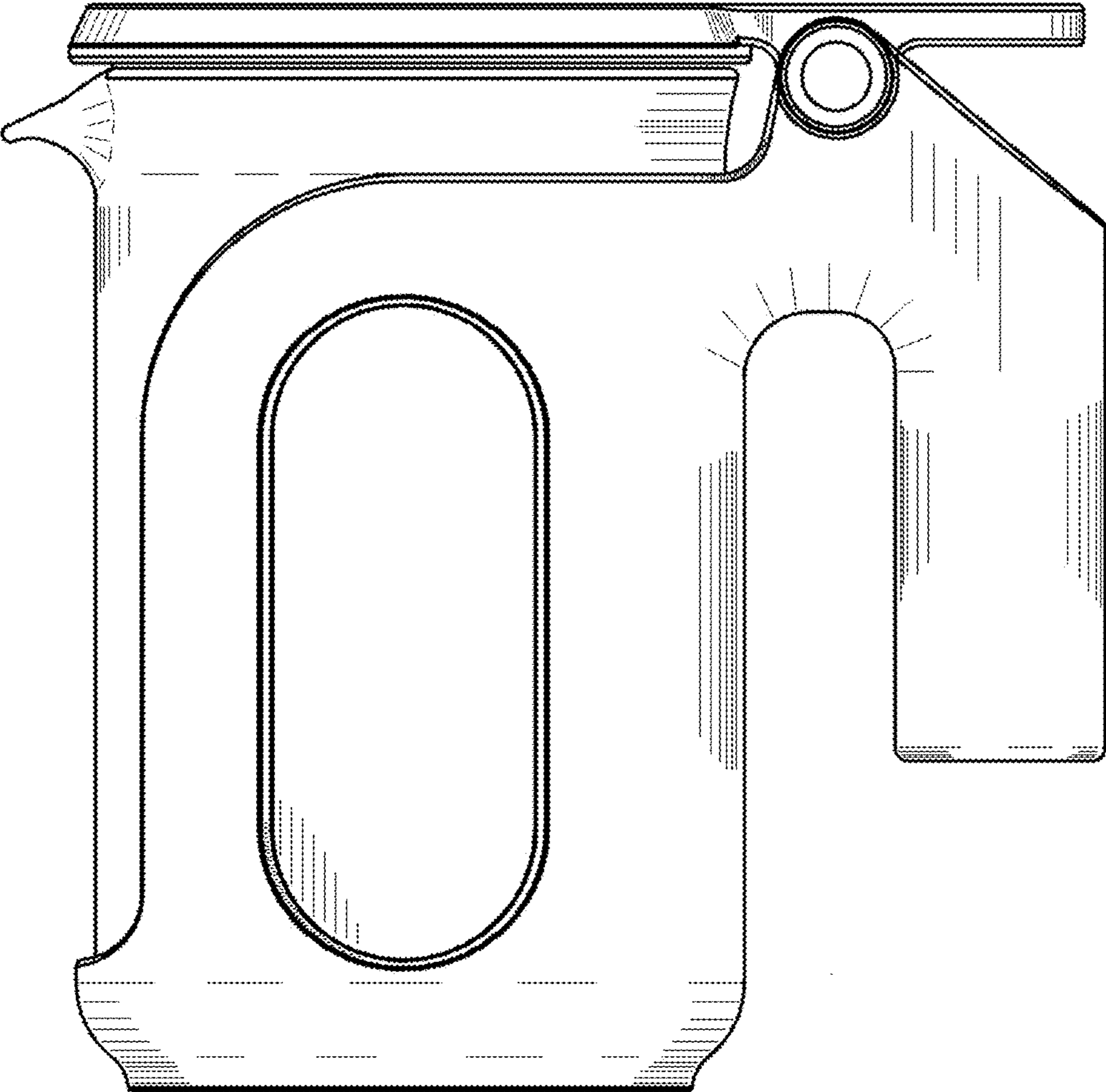


Figure 2

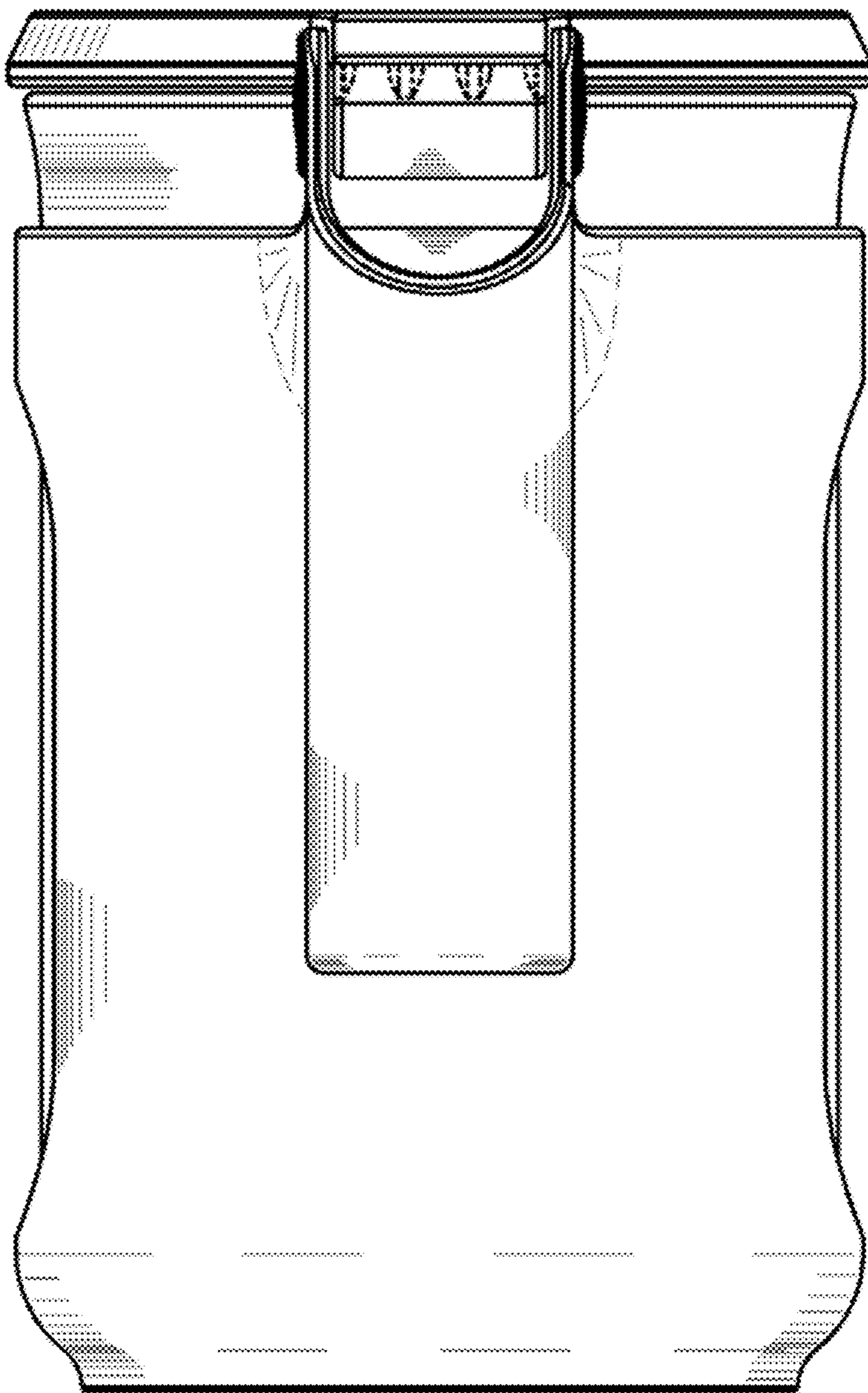


Figure 3

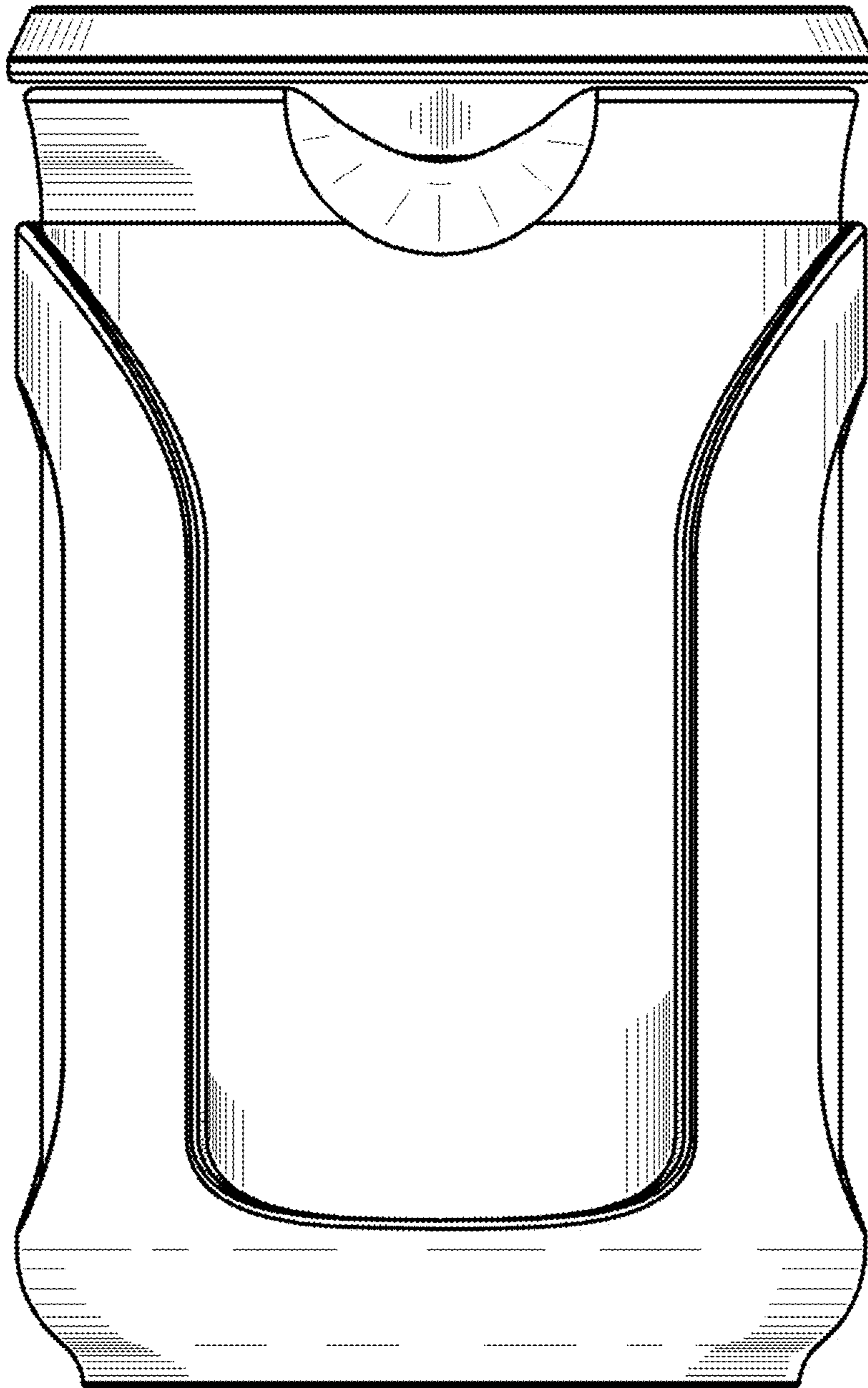


Figure 4

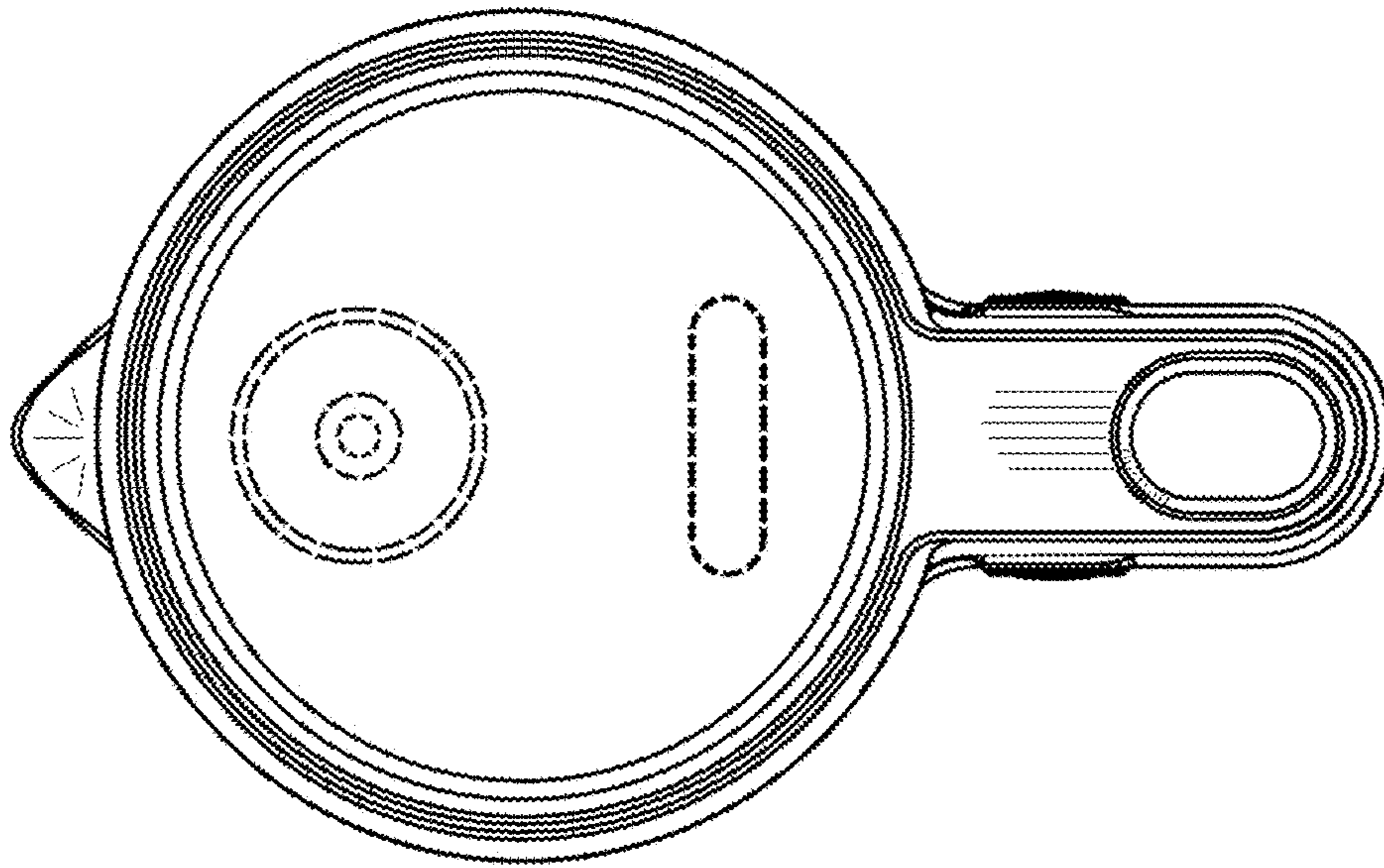


Figure 5

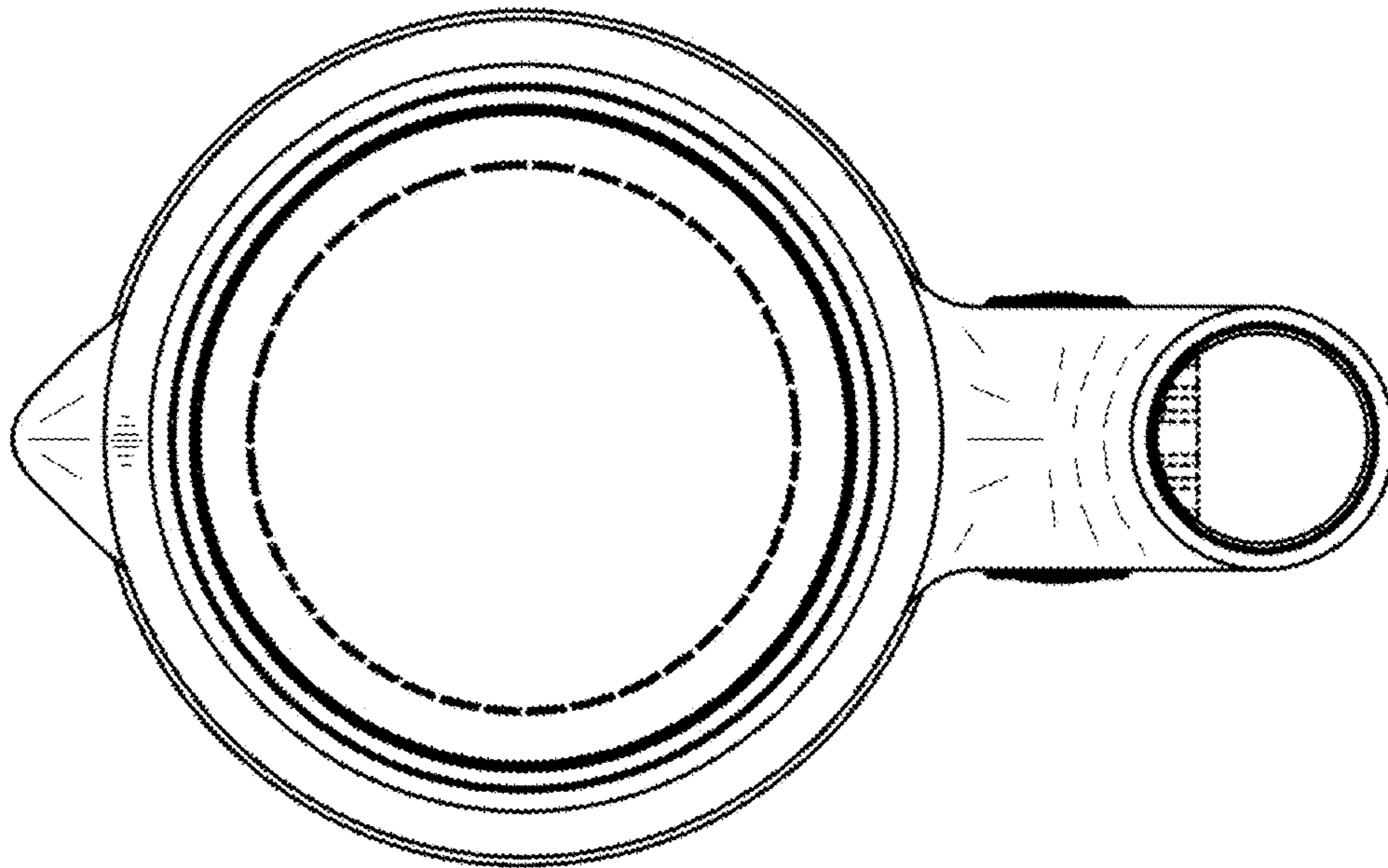


Figure 6